

[54] **GOLF CLUB SWINGWEIGHT SCALE
FIXTURE**

[75] Inventor: **Earl D. Myers, Scotch Plains, N.J.**

[73] Assignee: **Ohaus Scale Corporation, Florham
Park, N.J.**

[**] Term: **14 Years**

[21] Appl. No.: **655,633**

[22] Filed: **Sep. 28, 1984**

[52] U.S. Cl. **D10/90**

[58] Field of Search **D10/90, 87-89,
D10/94; 177/246; 73/65**

4,212,193 7/1980 Turley 73/65
4,261,566 4/1981 MacDougall 73/65 X

OTHER PUBLICATIONS

The Golfworks 1984 Full Line Catalog, copyright 1984, pp. 3-1, 3-3, and 3-4, Ralph Maltby Enterprises, Inc., Newark, Ohio.
Maltby, Ralph, Golf Club Design, Fitting, Alteration and Repair, chapters 55 and 56, pp. 560-572.

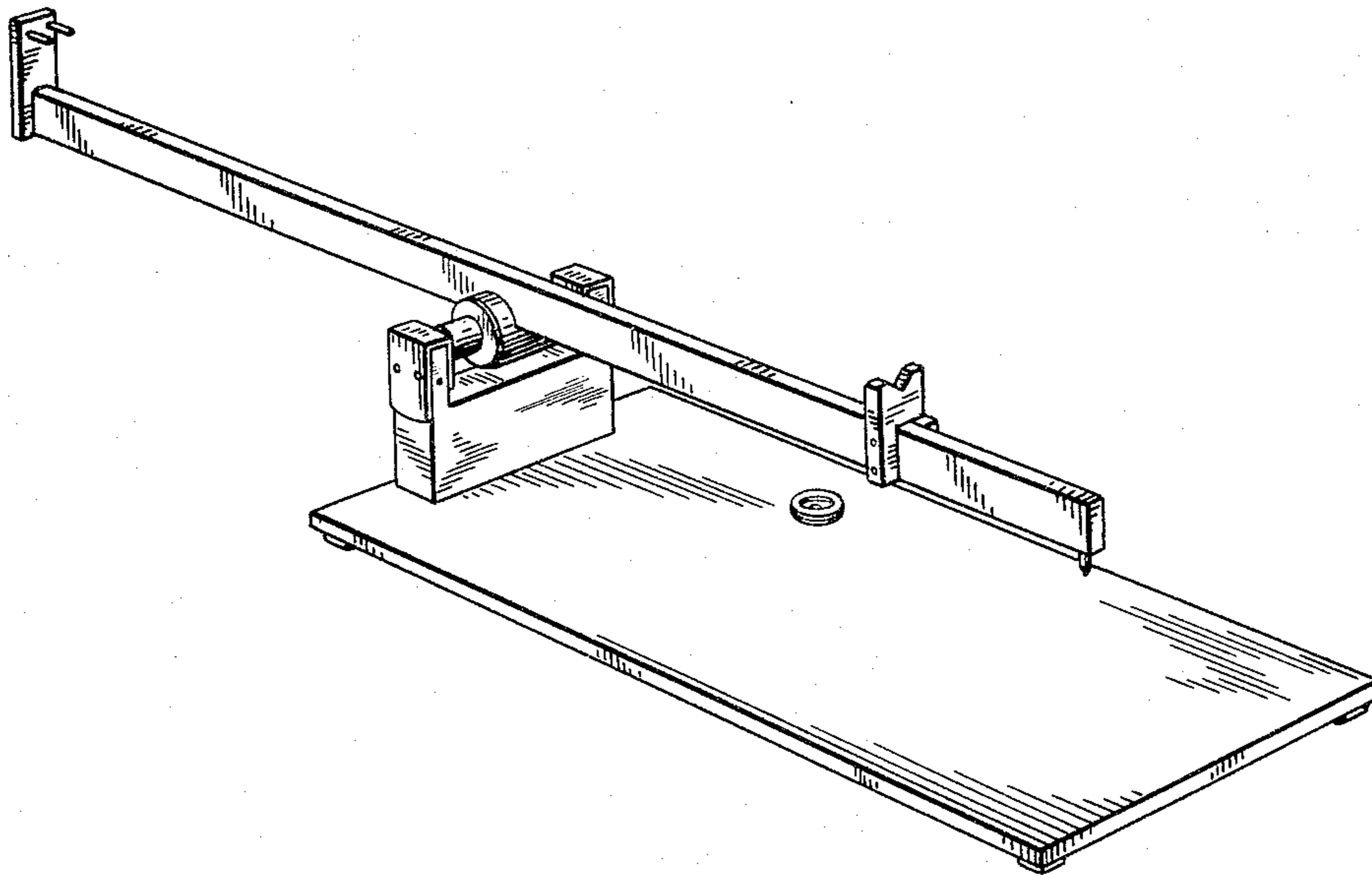
Primary Examiner—Nelson C. Holtje
Attorney, Agent, or Firm—Robert R. Jackson

CLAIM

[57] The ornamental design for a golf club swingweight scale, as shown and described.

DESCRIPTION

FIG. 1 is a top perspective view of a golf club swingweight scale fixture showing my new design.
FIG. 2 is a right end elevational view thereof.
FIG. 3 is a top plan view thereof.
FIG. 4 is a left end elevational view thereof.
FIG. 5 is a rear side elevational view thereof.
FIG. 6 is a bottom plan view thereof.



[56] **References Cited**

U.S. PATENT DOCUMENTS

1,953,916	4/1934	Adams	73/65
2,062,673	12/1936	Ogg	73/65
2,108,877	2/1938	Wettlauffer	73/65
2,307,877	1/1943	Chapman	73/65
2,595,717	5/1952	Smith	73/65
3,371,523	3/1968	Crouch	73/65
3,577,771	5/1971	Solheim	177/246 X
4,043,184	8/1977	Sayers	73/65

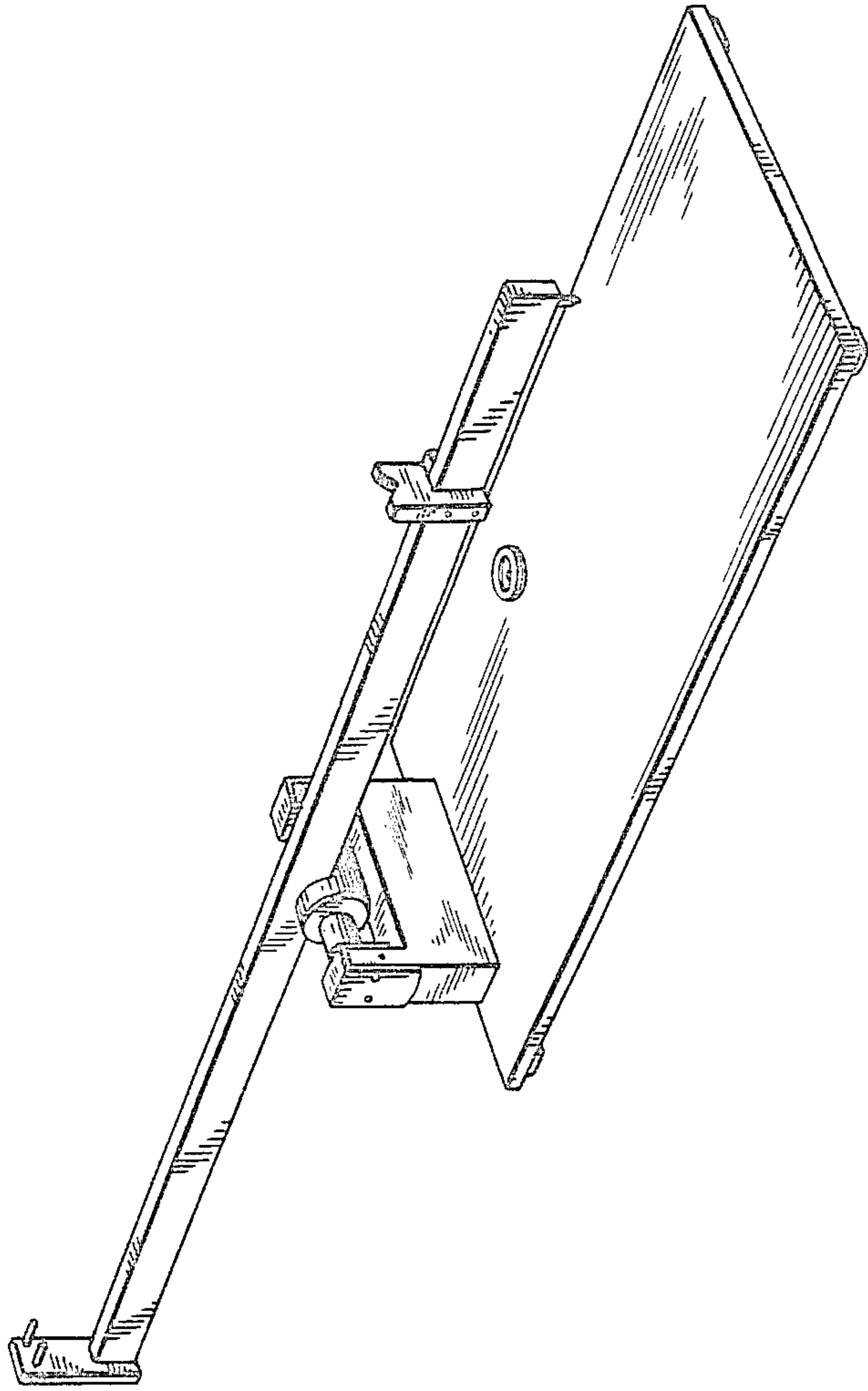


FIG. 1

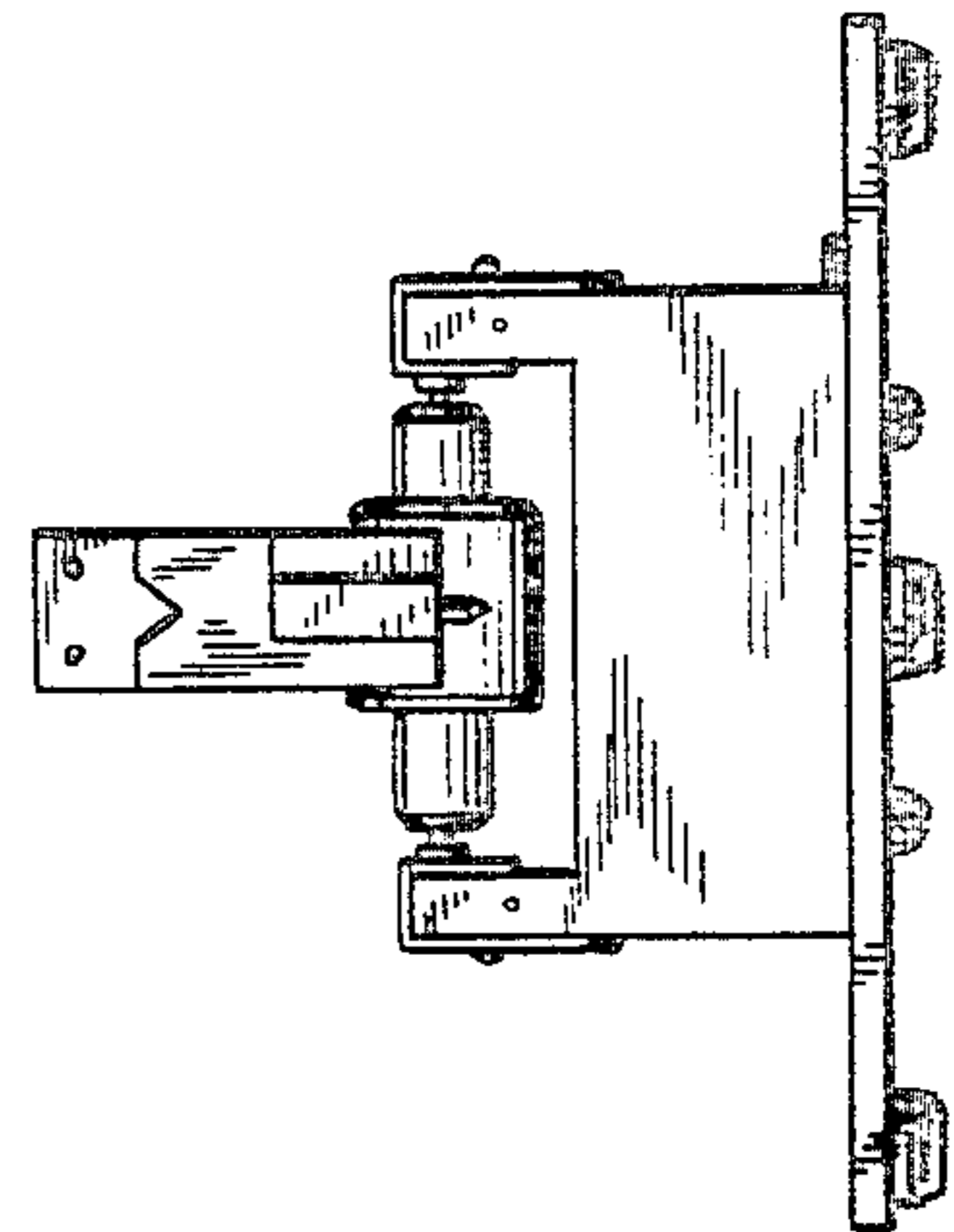


FIG. 2

FIG. 3

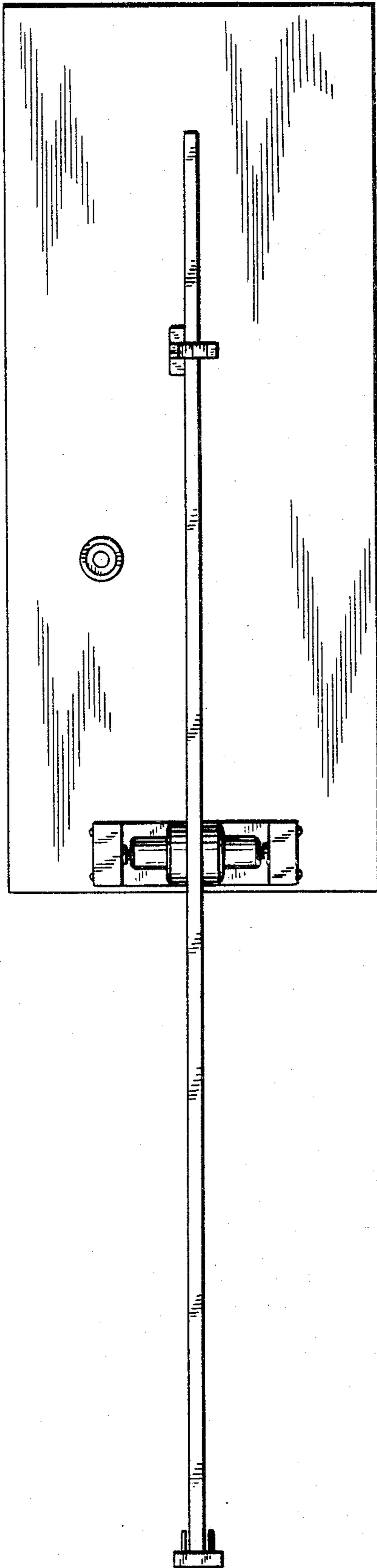


FIG. 4

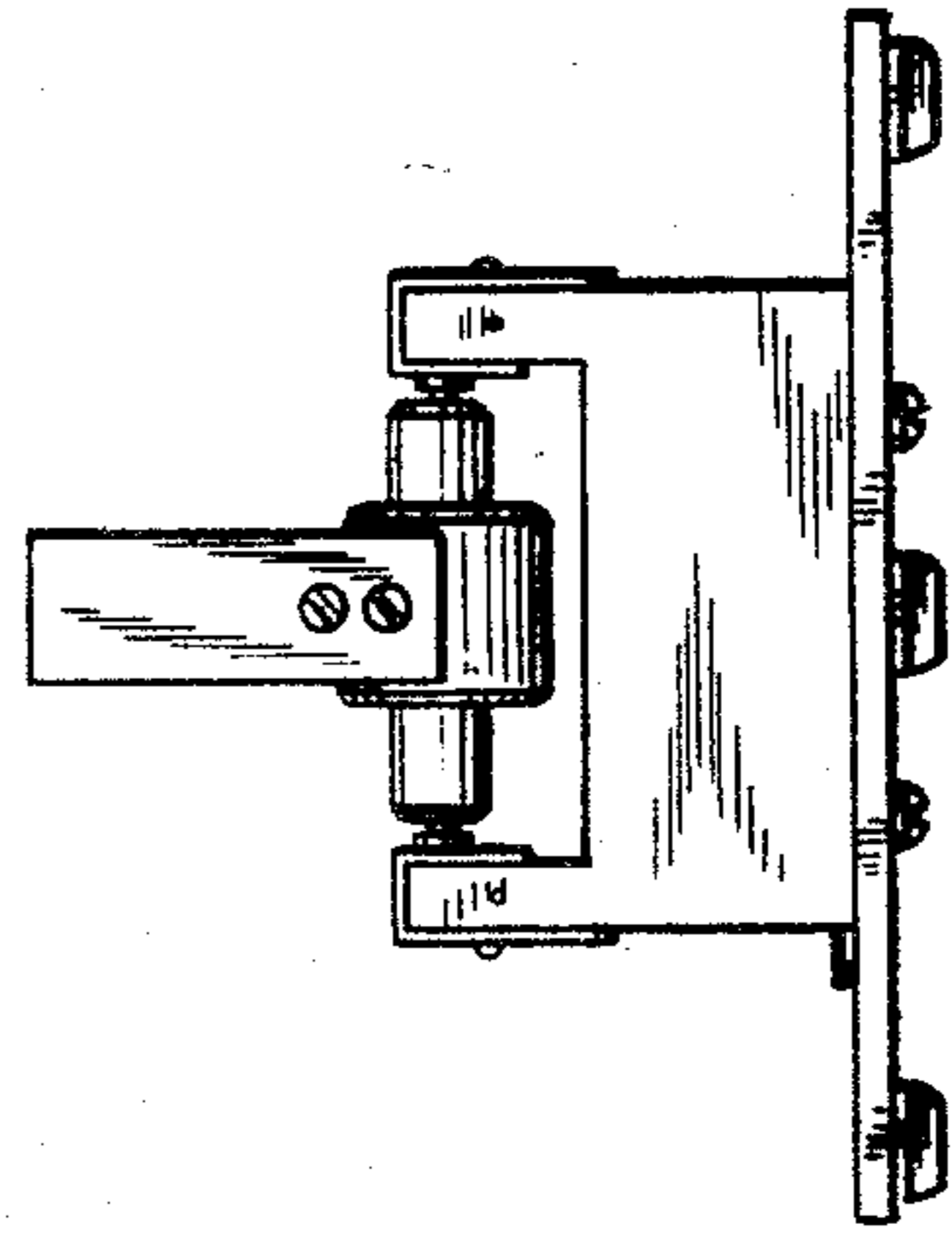


FIG. 5

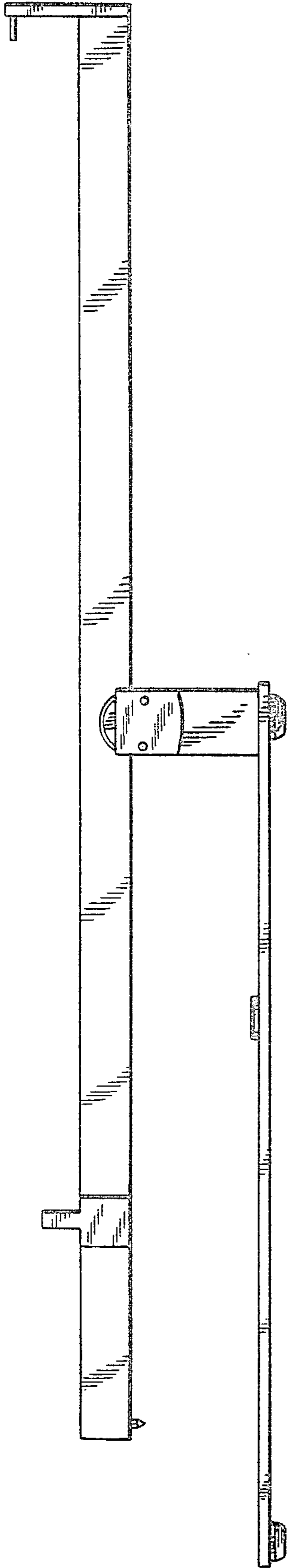


FIG. 6

