

[54] DUAL COMPARTMENT CARTON

[76] Inventor: Salvatore A. Aquino, 337 Trevor La., Bala Cynwyd, Pa. 19004

[**] Term: 14 Years

[21] Appl. No.: 618,204

[22] Filed: Jun. 7, 1984

Related U.S. Application Data

[63] Continuation-in-part of Ser. No. 574,912, Jan. 30, 1984, abandoned.

[52] U.S. Cl. D9/346

[58] Field of Search D9/341, 346, 420, 421, D9/423; 229/6 R, 16 R, 27, 15

[56] References Cited

U.S. PATENT DOCUMENTS

- D. 190,253 5/1961 Chlop D9/421 X
- D. 238,469 1/1976 Lanius D9/421 X
- D. 259,176 5/1981 Hofer D9/346
- D. 283,303 4/1986 Motealegre D9/346

Primary Examiner—Robert C. Spangler
Attorney, Agent, or Firm—Benasutti and Murray

[57] CLAIM

The ornamental design for a dual compartment carton, as shown and described.

DESCRIPTION

FIG. 1 is an inside perspective view of a dual compartment carton showing my new design in an open position;

FIG. 2 is a plan view on a reduced scale;

FIG. 3 is a bottom plan view thereof;

FIG. 4 is a side elevational view thereof;

FIG. 5 is an end elevational view thereof;

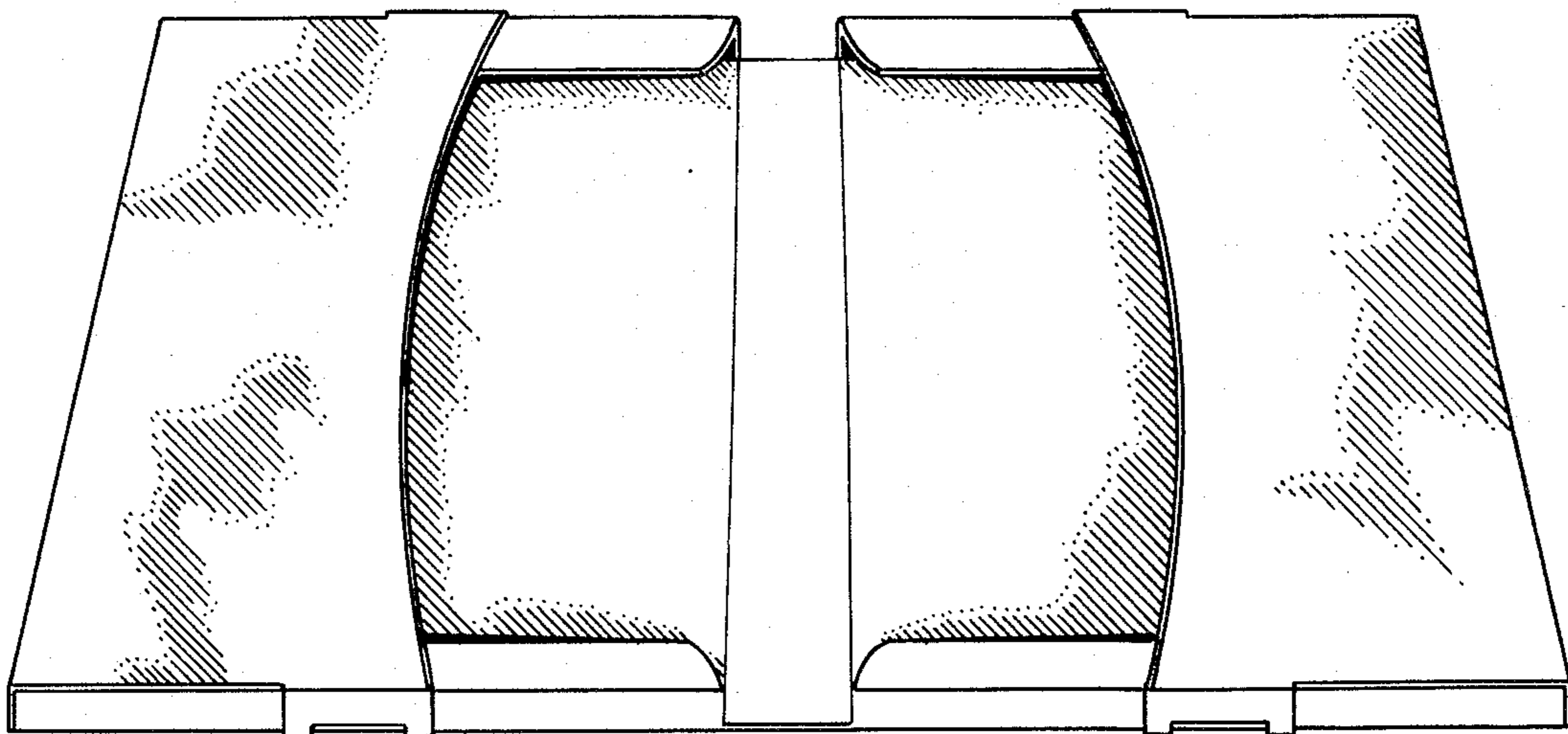
FIG. 6 is a perspective view in a partially closed position of a modified form of my new design, which differs from the embodiment of FIG. 1 only in the provision of the center slot shown;

FIG. 7 is a perspective view in a closed position showing a second modified form of my new design, which differs from the embodiment of FIG. 1 only in the provision of a segmented flap on the outside of each half of the carton;

FIG. 8 is a perspective view of the carton of FIG. 7 folded back on itself;

FIG. 9 is a bottom plan view of the carton as seen in FIG. 8; and

FIG. 10 is a perspective view of a third modified form of my new design with the segmented flaps engaged and which differs from the embodiment of FIG. 1 only in the provision of a center slot and two segmented flaps.



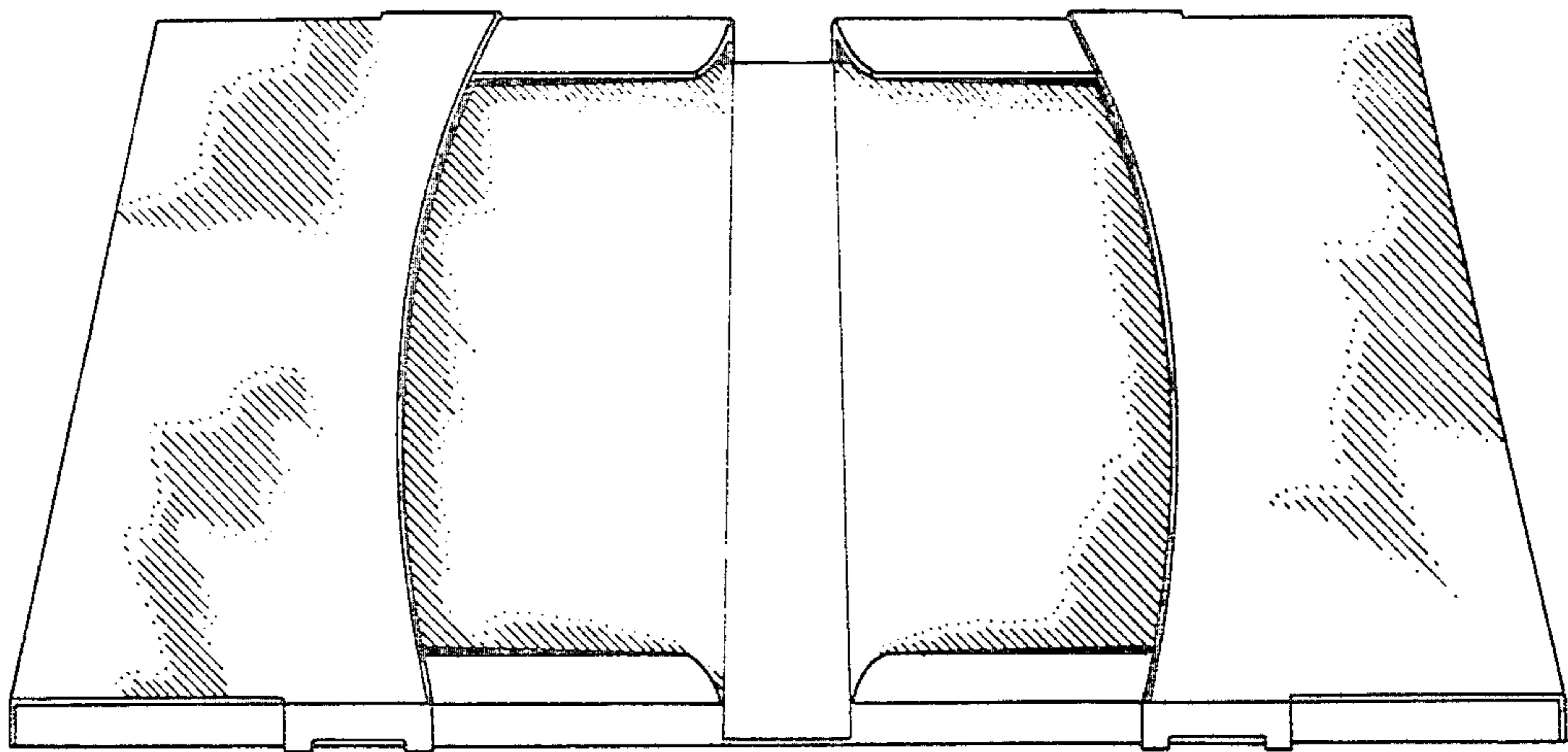


FIG. 1

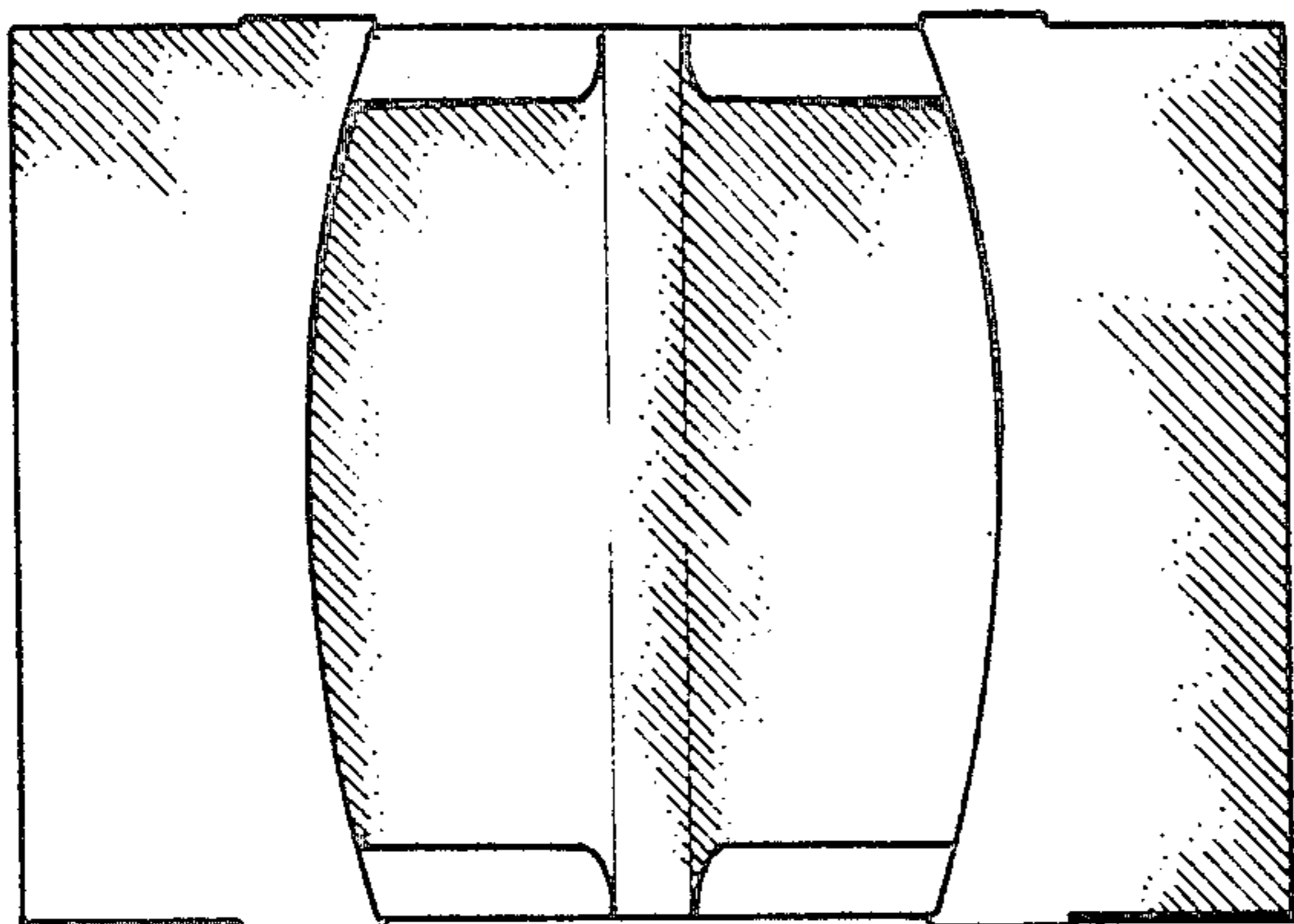


FIG. 2

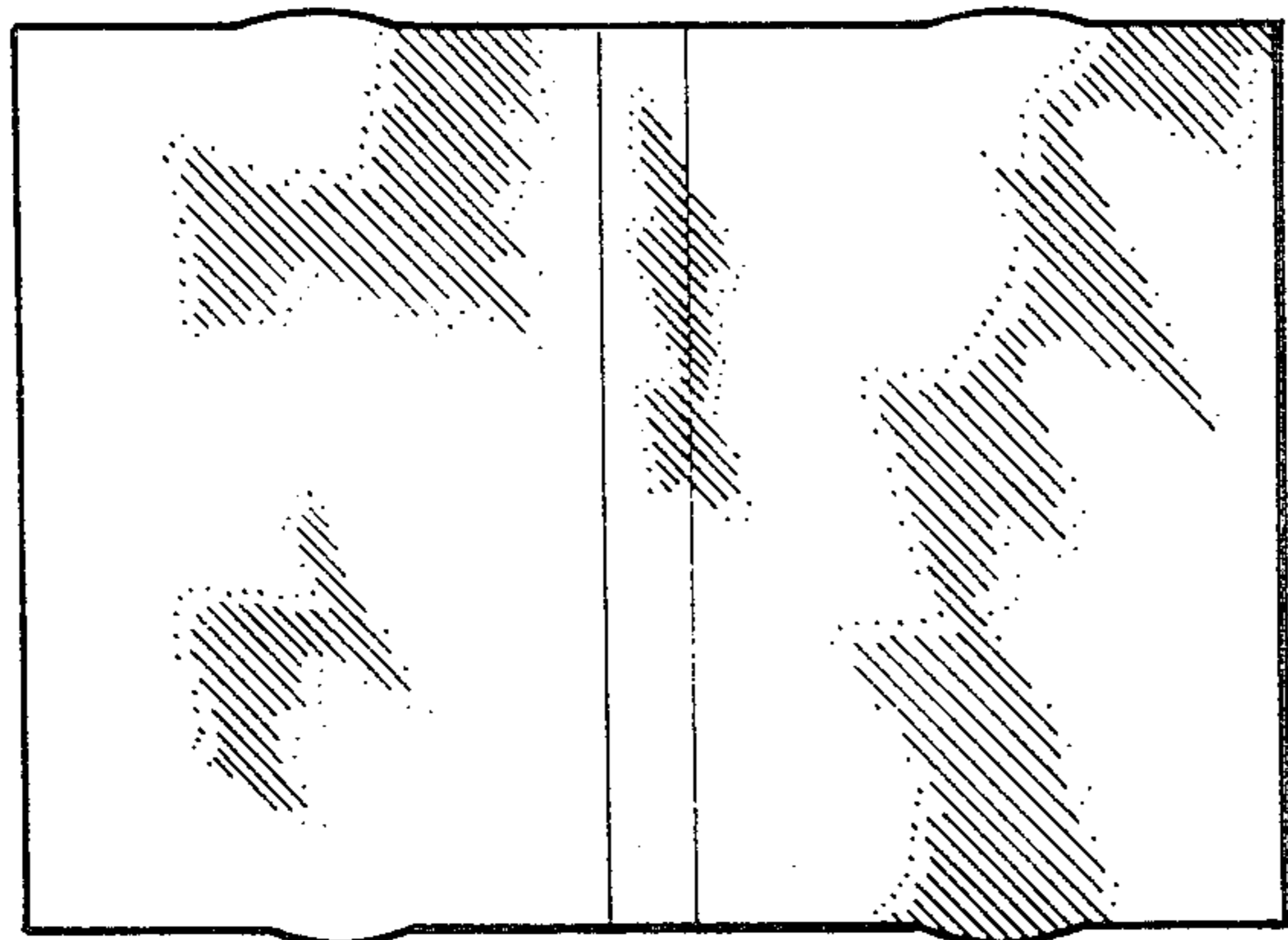


FIG. 3



FIG. 4



FIG. 5

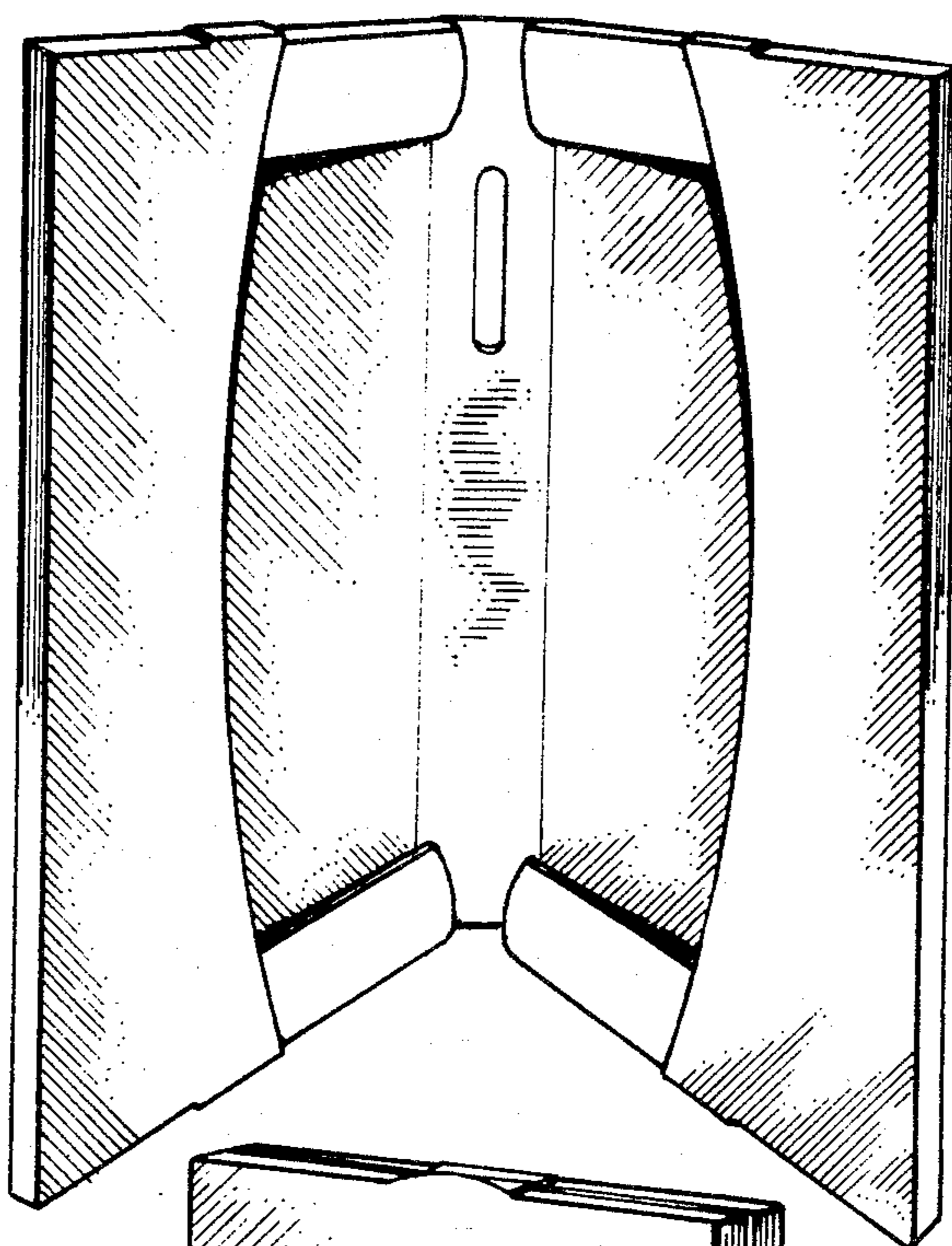


FIG. 6

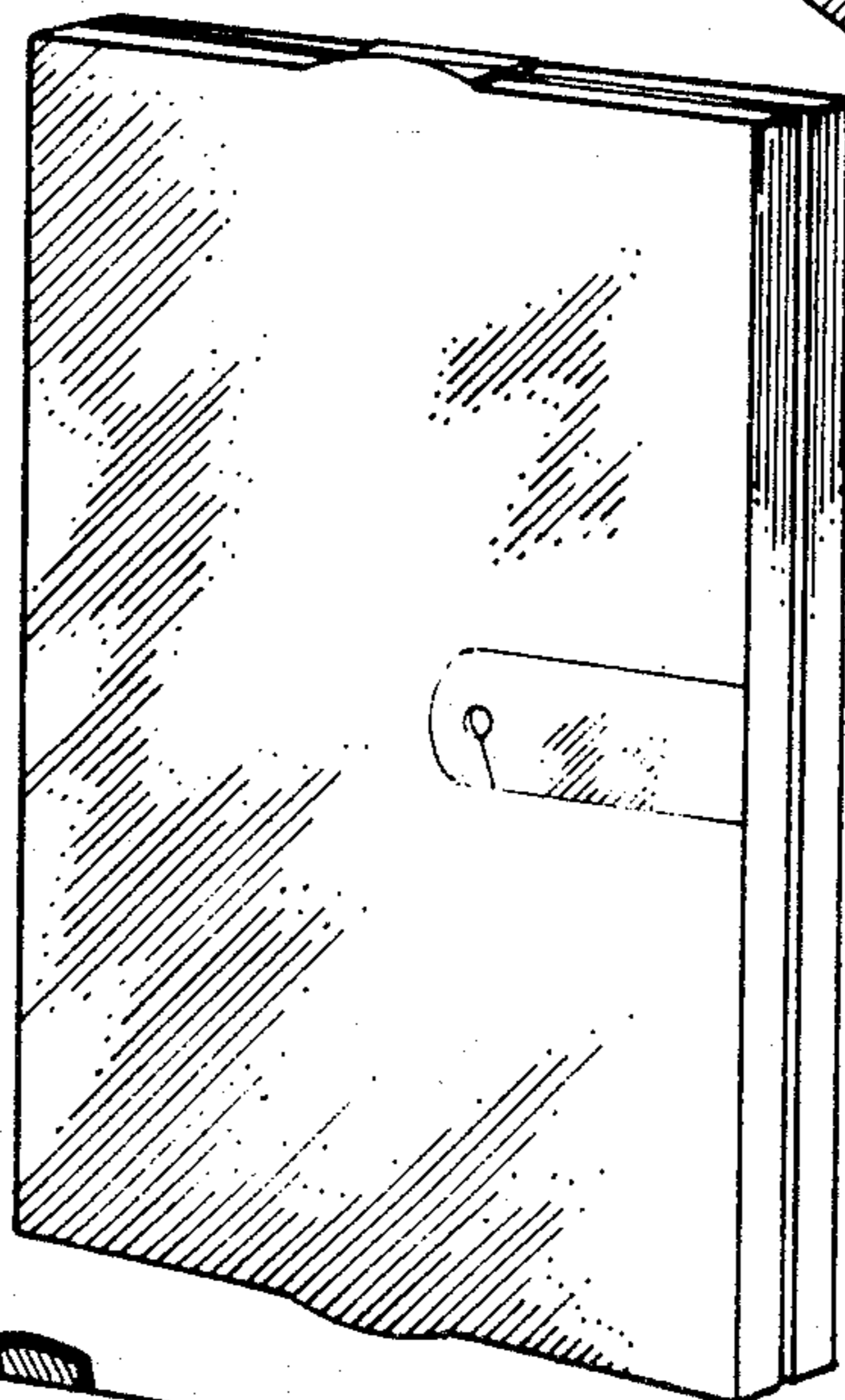


FIG. 7

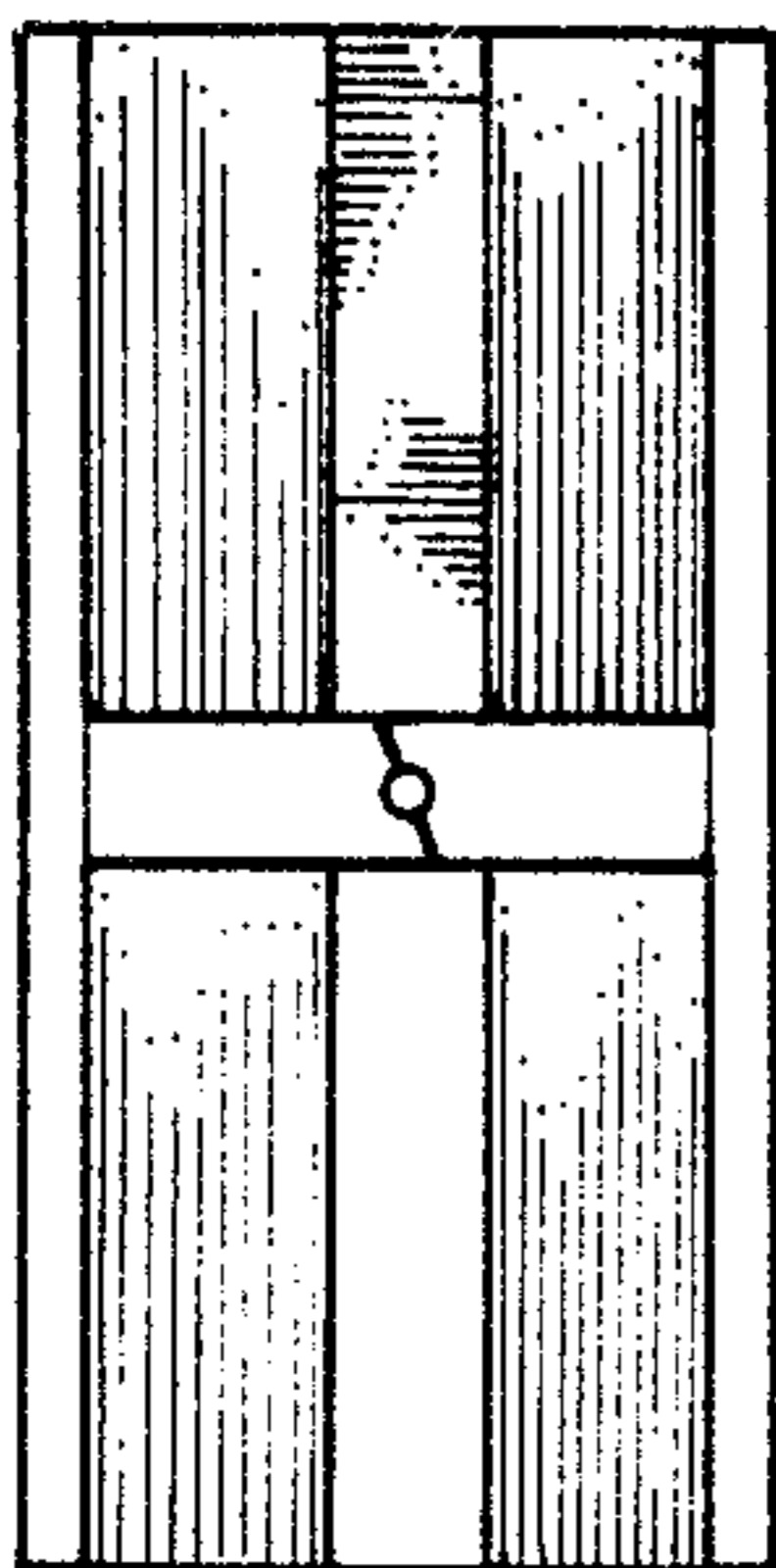


FIG. 9

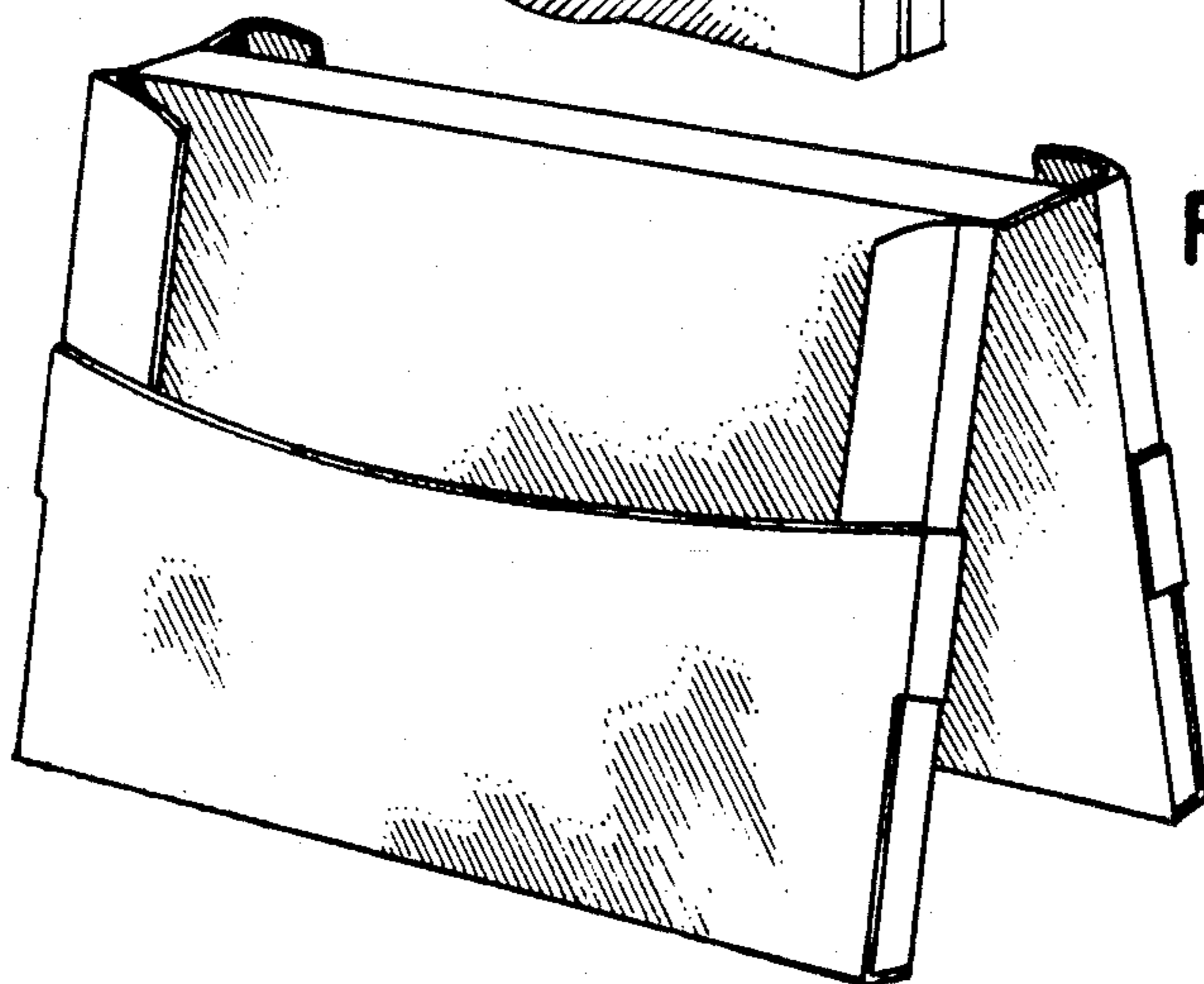


FIG. 8

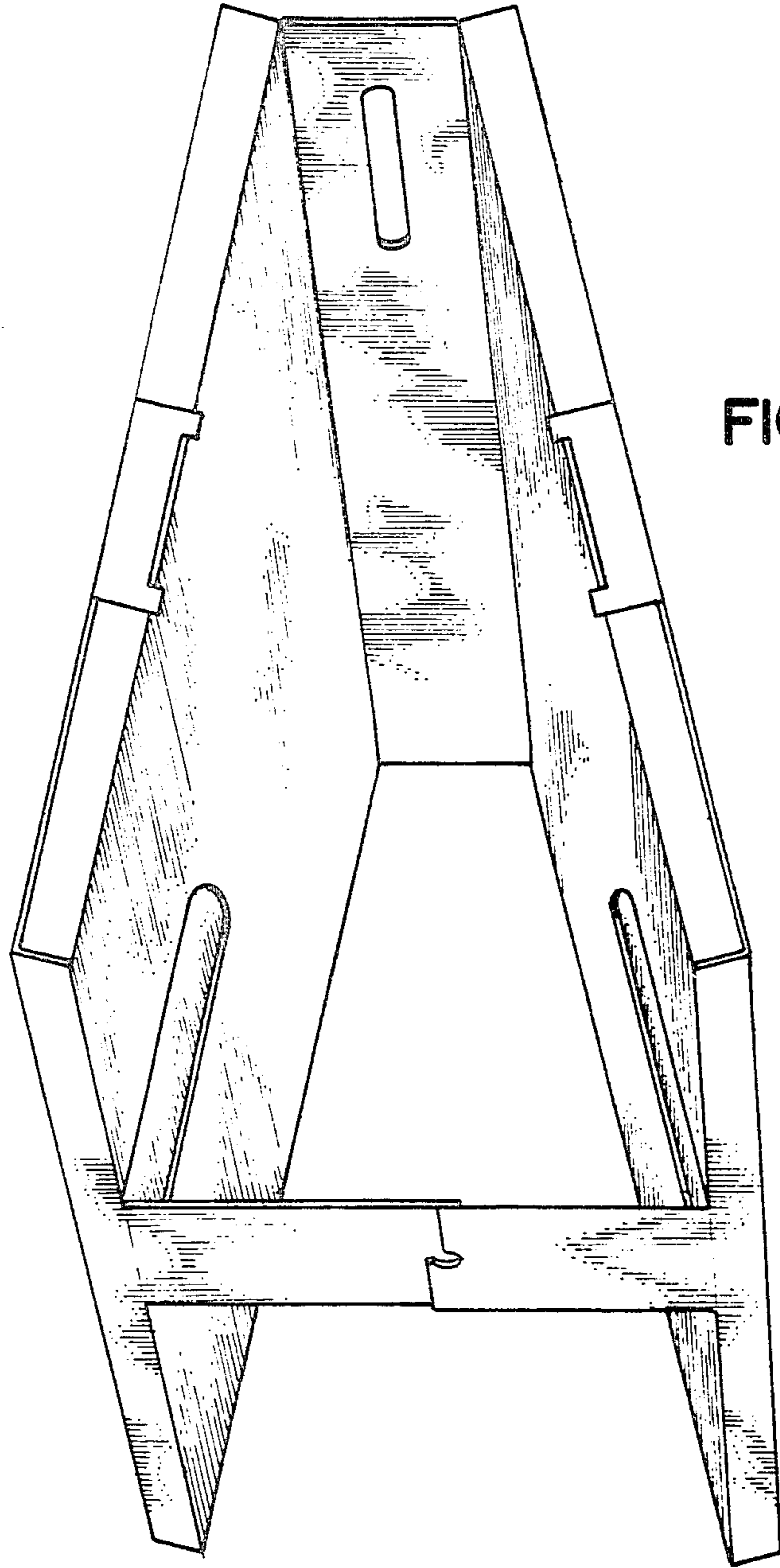


FIG. 10