

[54] STEP SUPPORT BRACKET

[75] Inventors: Walter G. Hentzschel, Damascus; James E. Brock, Gaithersburg; David R. Norcross, Bethesda, all of Md.

[73] Assignee: TECO Products & Testing Corporation, Chevy Chase, Md.

[**] Term: 14 Years

[21] Appl. No.: 601,683

[22] Filed: Apr. 18, 1984

[52] U.S. Cl. D8/380; D8/382; 52/713; 52/633

[58] Field of Search D8/380, 381, 382; 52/713, 633; D25/69; D92/26

[56] References Cited

U.S. PATENT DOCUMENTS

D. 33,335	10/1900	Galloway	D8/380
D. 267,699	1/1983	Prawl	D8/380
D. 280,800	10/1985	Chalberg	D8/380
2,632,533	3/1953	MacKensie	52/633
2,906,380	9/1959	Sanders	52/633
3,003,600	10/1961	MacKensie	52/633
3,123,185	3/1964	Van Der Rijst	52/633

3,127,961	4/1964	Frazier	52/633
3,596,941	8/1971	Tracy	52/713
3,648,426	3/1972	Chaudhary	52/633
3,768,219	10/1973	Reuten	52/713

FOREIGN PATENT DOCUMENTS

164605	8/1955	Australia	52/633
--------	--------	-----------	-------	--------

Primary Examiner—Wallace R. Burke
Assistant Examiner—Horace B. Fay
Attorney, Agent, or Firm—Burns, Doane, Swecker & Mathis

[57] CLAIM

The ornamental design for a step support bracket, substantially as shown and described.

DESCRIPTION

FIG. 1 is a front elevational view of a step support bracket showing our new design; FIG. 2 is a rear elevational view thereof; FIGS. 3 and 4 are respectively top and bottom plan views thereof; FIG. 5 is a left end elevational view thereof; FIG. 6 is a sectional view thereof taken along the lines 6—6 in FIG. 1; FIG. 7 is a front perspective view thereof; and FIG. 8 is a rear perspective view thereof.

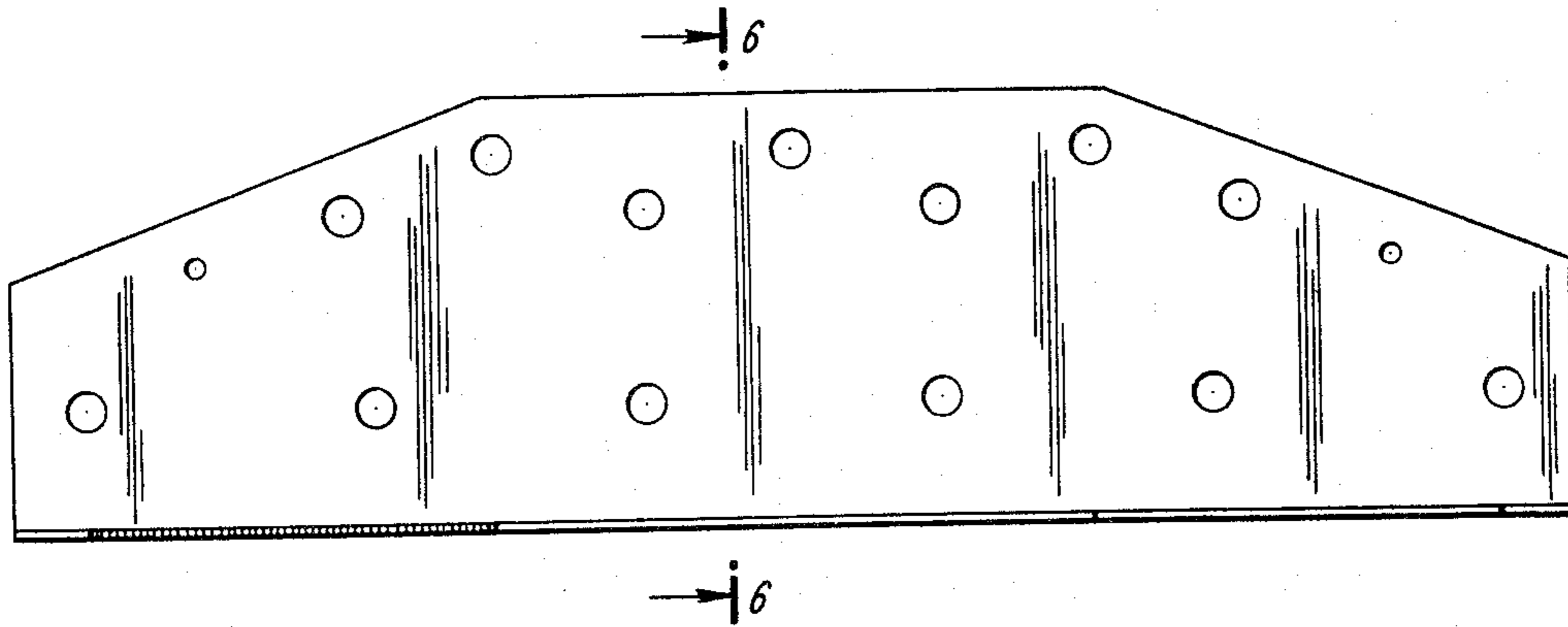


FIG. 1

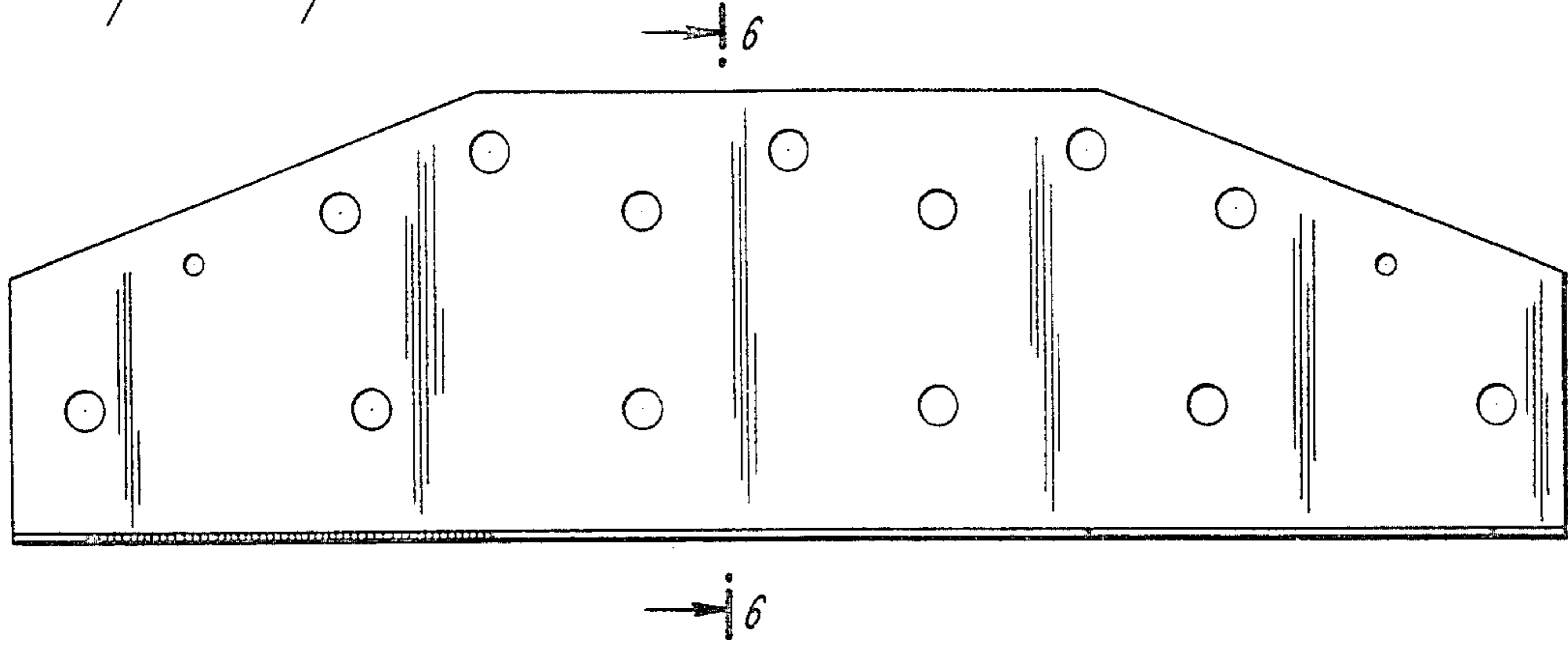


FIG. 2

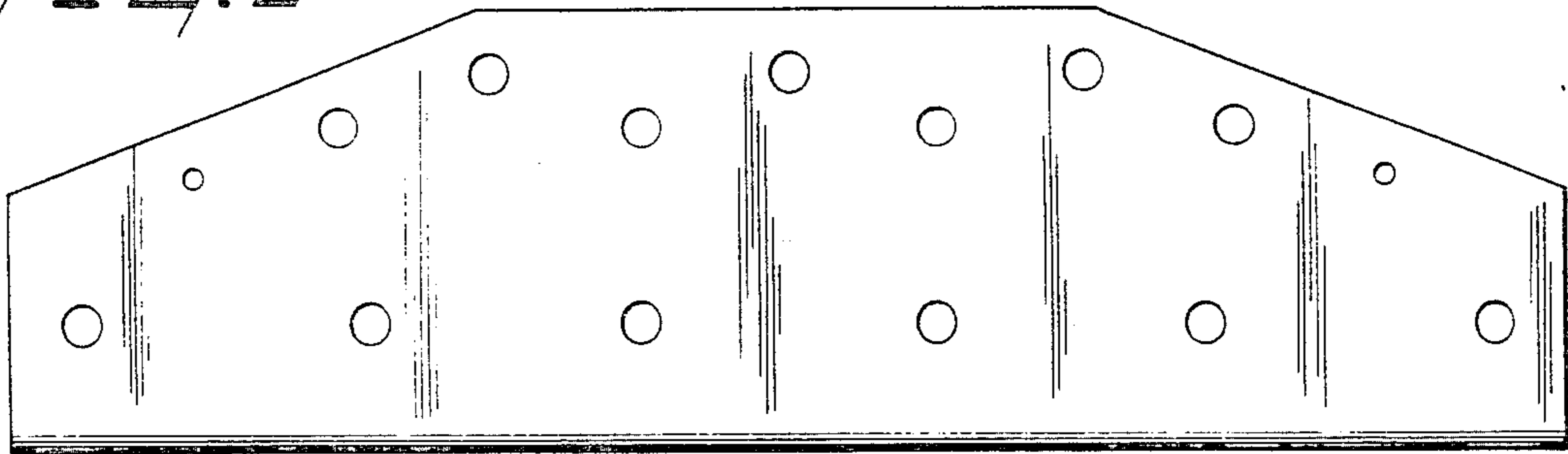


FIG. 3

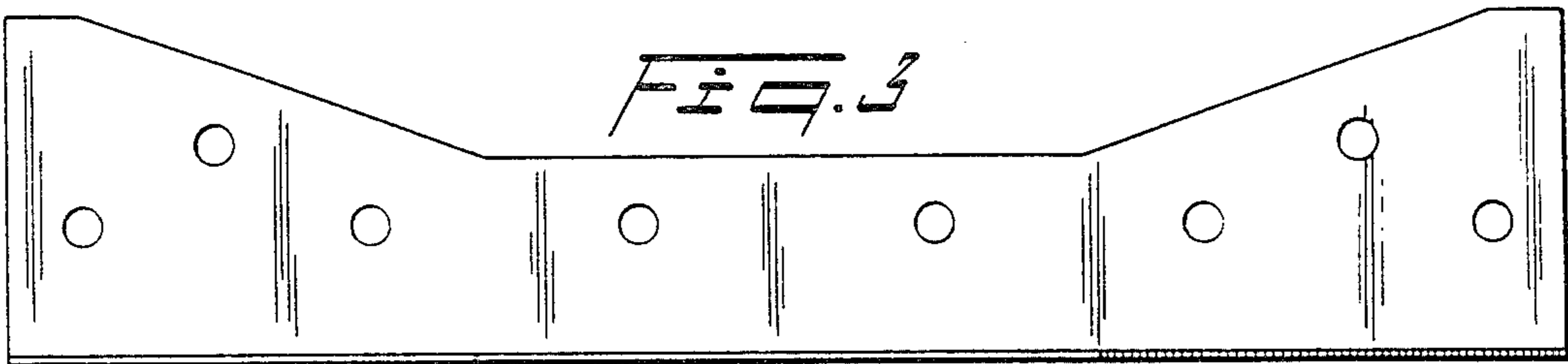


FIG. 4

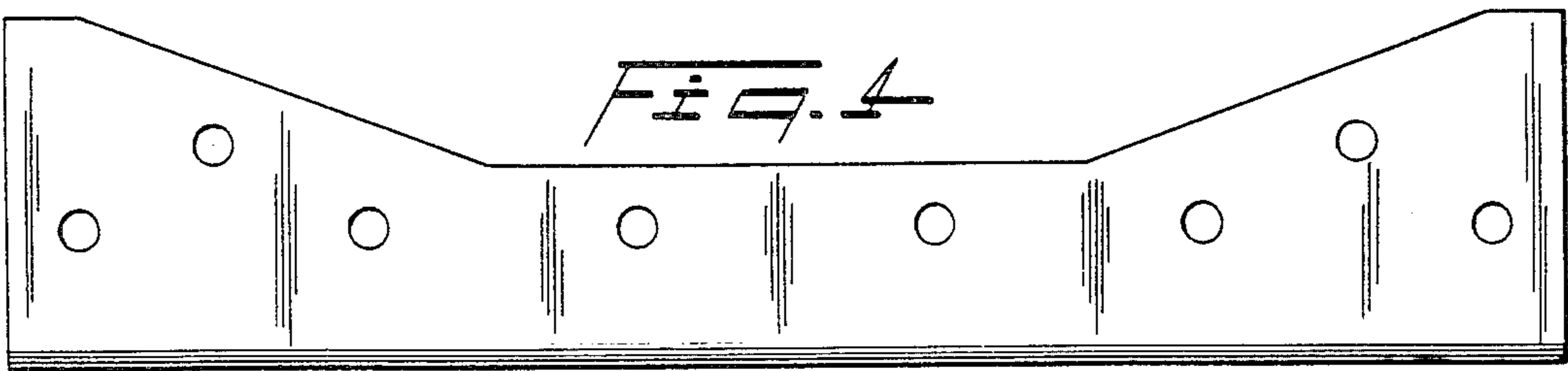


FIG. 5

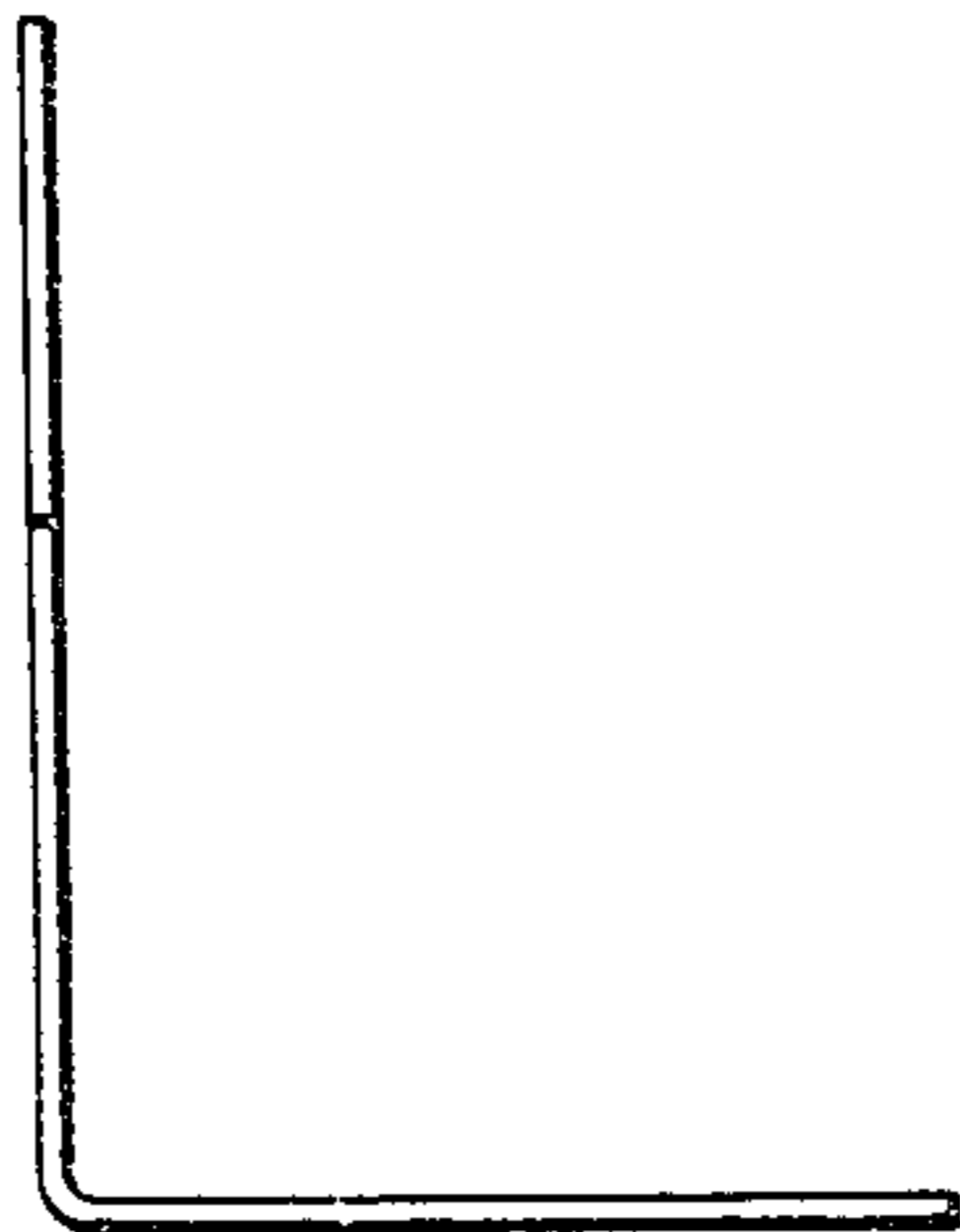


FIG. 6

