

[54] CASTER BRAKING DEVICE

[76] Inventor: Jimmie D. Simmons, 1417 Overhill, Jonesboro, Ark. 72401

[\*\*] Term: 14 Years

[21] Appl. No.: 730,665

[22] Filed: May 2, 1985

[52] U.S. Cl. .... D8/375; 188/1.12

[58] Field of Search ..... D8/374, 375; 188/1.12, 188/74, 2, 29, 1 D; 16/35 R, 18 R

[56] References Cited

U.S. PATENT DOCUMENTS

D. 210,932	5/1968	Libhart	.....	D8/375
918,636	4/1909	Young	.....	188/1.12
1,137,329	4/1915	Johnson	.....	188/1.12
1,785,421	12/1930	Nielsen	.....	188/1.12
1,998,236	4/1935	Herold	.....	188/74
2,484,094	10/1949	Jackson	.....	188/1.12
2,905,275	9/1959	Kostolecki et al.	.....	188/1.12
2,915,775	12/1959	Skupas	.....	16/35 R
3,162,888	12/1964	Möbus	.....	16/35 R
3,298,467	1/1967	Darnell	.....	188/29
3,358,792	12/1967	Proulx	.....	188/29
3,467,981	9/1969	Peter	.....	16/35 R

4,035,864	7/1977	Schröder	.....	16/35 R
4,333,207	6/1982	Atwood	.....	16/35 R
4,449,268	5/1984	Schnuell	.....	188/1.12
4,550,808	11/1985	Folson	.....	188/1.12

FOREIGN PATENT DOCUMENTS

1345858	11/1963	France	.....	188/1.12
1461474	12/1966	France	.....	188/1.12
298456	7/1954	Switzerland	.....	188/1.12

Primary Examiner—Wallace R. Burke  
Assistant Examiner—Horace B. Fay  
Attorney, Agent, or Firm—Neuman, Williams, Anderson & Olson

[57] CLAIM

The ornamental design of a caster braking device, substantially as shown and described.

DESCRIPTION

FIG. 1 is a front perspective view of a caster braking device showing our new design;  
FIG. 2 is a side elevation view thereof;  
FIG. 3 is a top plan view thereof;  
FIG. 4 is a front elevation view thereof;  
FIG. 5 is a rear elevation view thereof;  
FIG. 6 is a bottom plan view thereof.

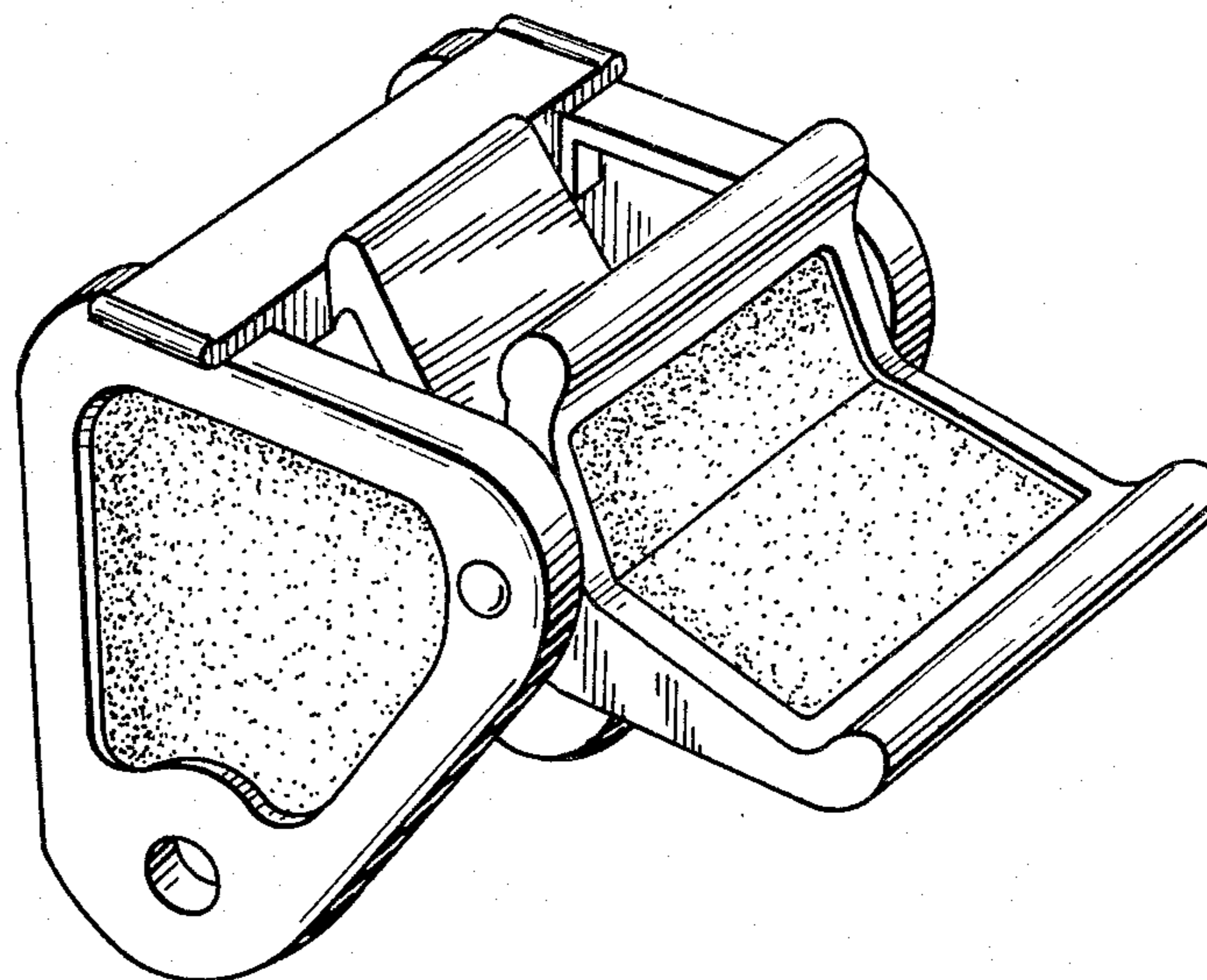


FIG. 1

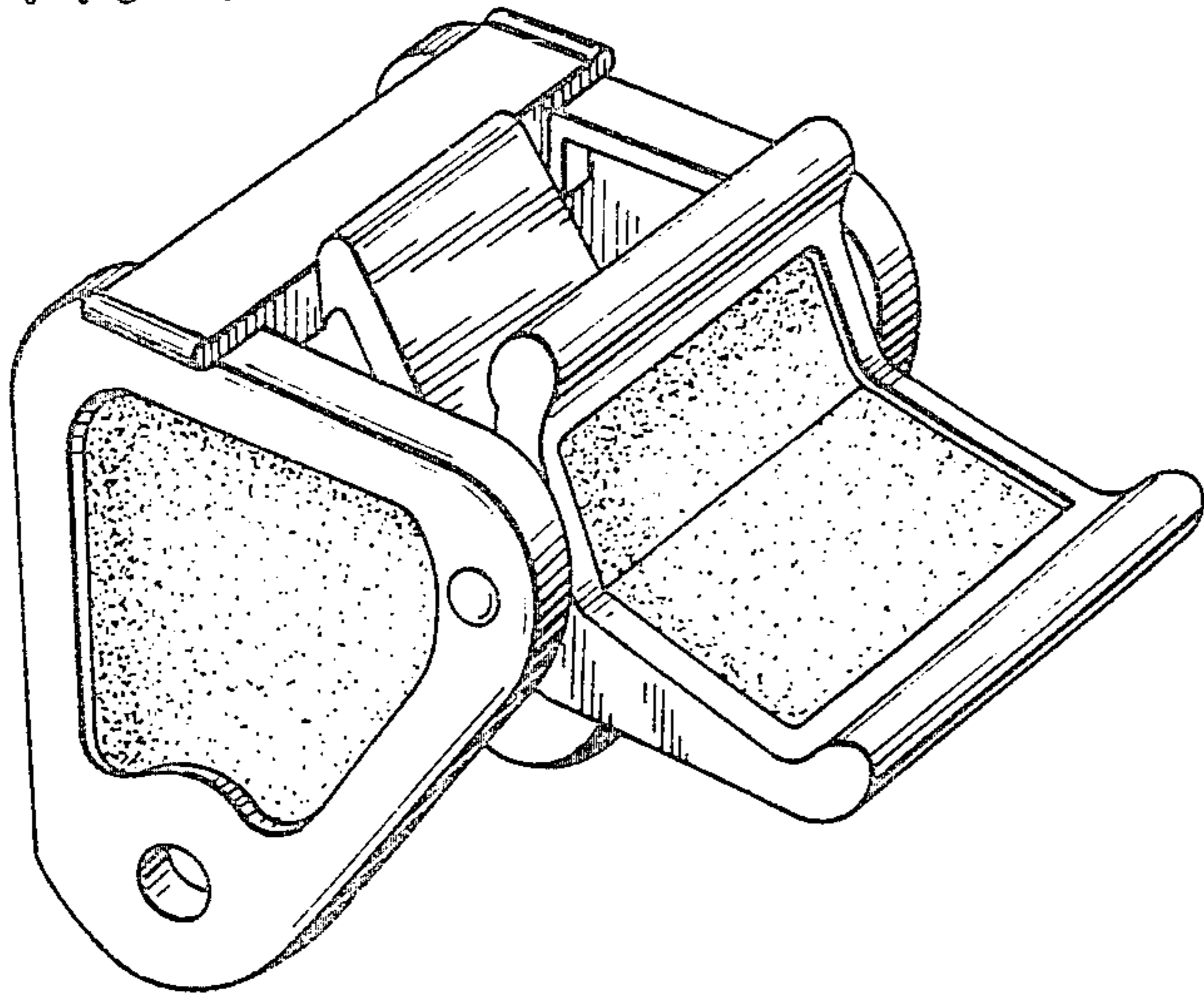


FIG. 3

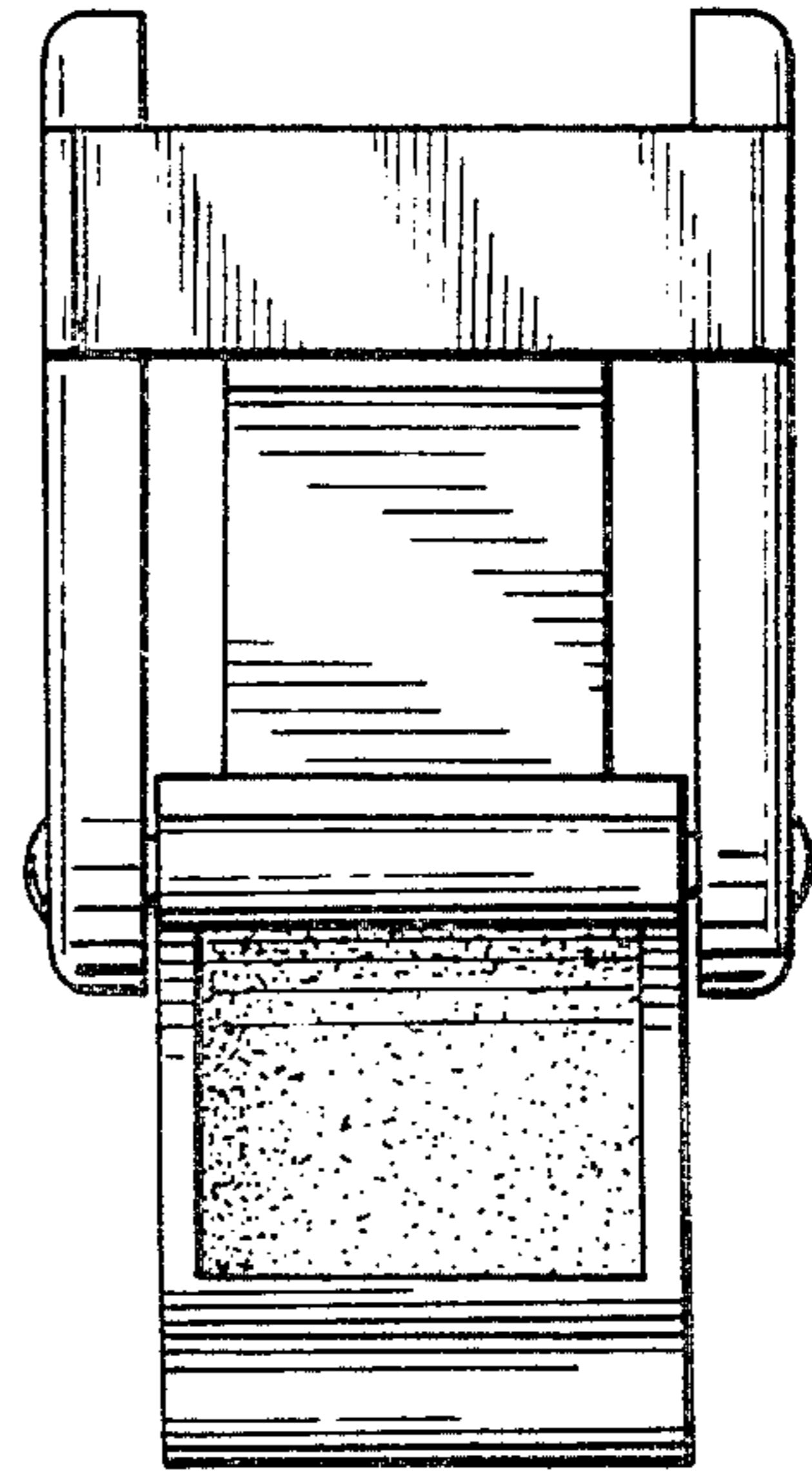


FIG. 2

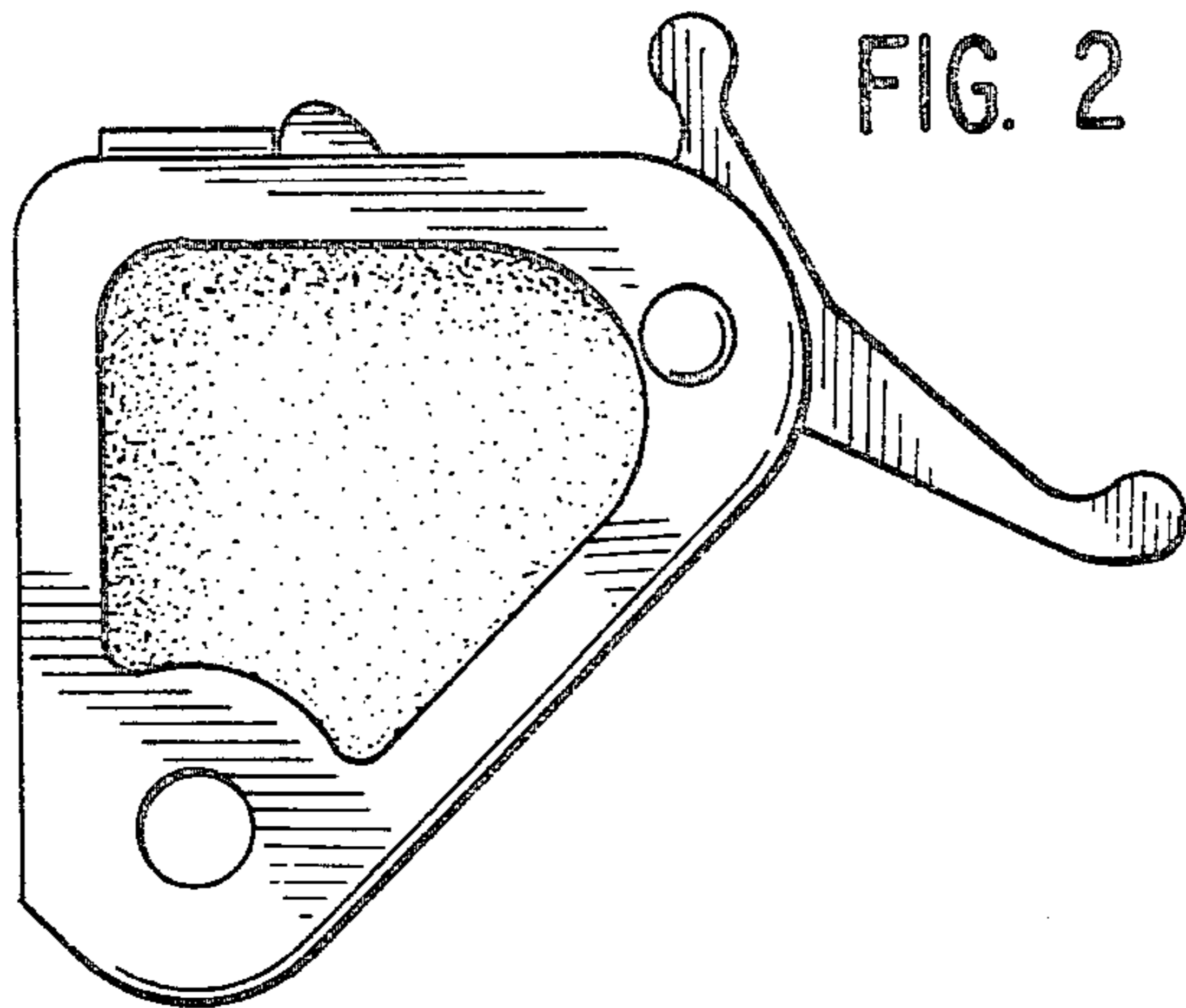


FIG. 4

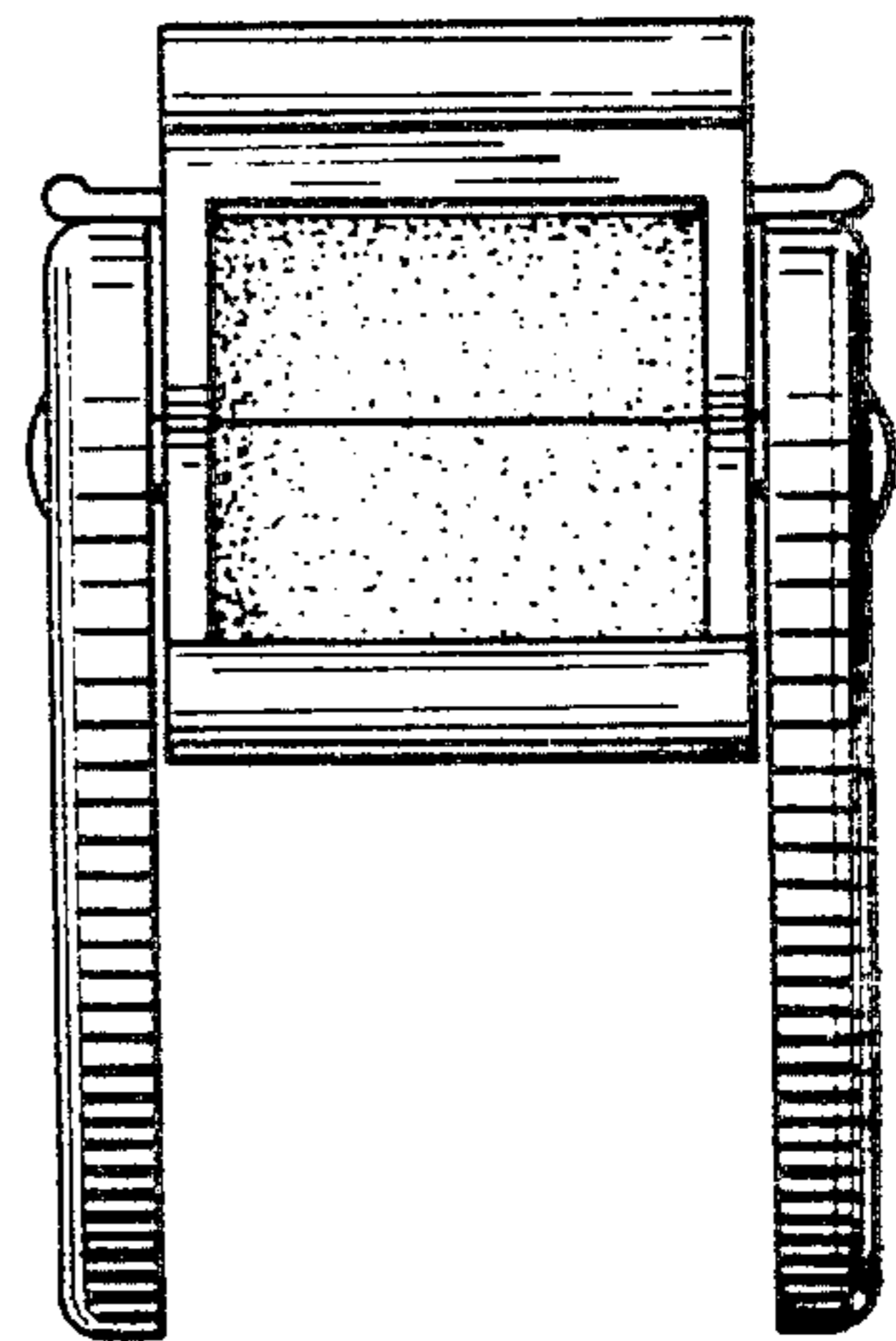


FIG. 5

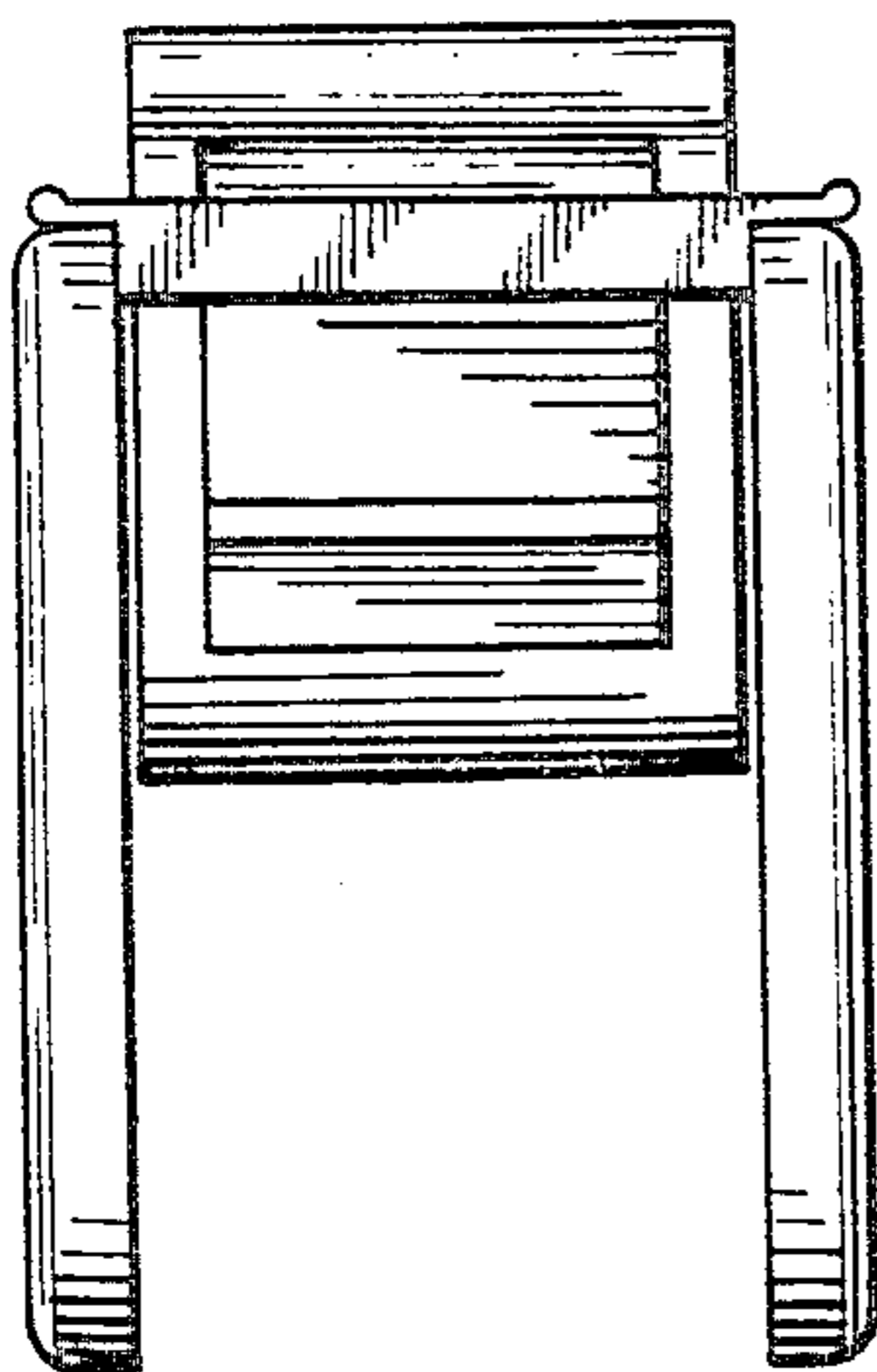


FIG. 6

