

[54] OIL FILTER MOUNTING BRACKET
 [76] Inventor: Fred P. Mattson, Box 207, Elmwood, Wis. 54740
 [**] Term: 14 Years
 [21] Appl. No.: 616,197
 [22] Filed: Jun. 1, 1984
 [52] U.S. Cl. D8/373; 210/416.5
 [58] Field of Search D8/373, 363, 380; 210/232, 238, 416.5, 443

Warshausky & Co.; Oil Filter Brackets, p. 191, 84 J 0625T, 73 5884U; Filter Adapters; 55-3077R.

Primary Examiner—James M. Gandy
 Assistant Examiner—Horace B. Fay
 Attorney, Agent, or Firm—Orrin M. Haugen; Thomas J. Nikolai

[57] CLAIM
 The ornamental design for the oil filter mounting bracket, substantially as shown and described.

[56] References Cited
 U.S. PATENT DOCUMENTS
 4,400,864 8/1983 Peyton et al. 210/232
 4,406,784 9/1983 Cochran 210/416.5
 4,492,632 1/1985 Mattson 210/168

DESCRIPTION
 FIG. 1 is a perspective view of an oil filter mounting bracket, showing my new design;
 FIG. 2 is a front elevation thereof;
 FIG. 3 is a right side elevation thereof;
 FIG. 4 is a rear elevational view thereof;
 FIG. 5 is a top plan view thereof; and
 FIG. 6 is a bottom plan view thereof.

OTHER PUBLICATIONS
 G. C. Whitney & Co., catalog No. 4316, ©1983, 1982

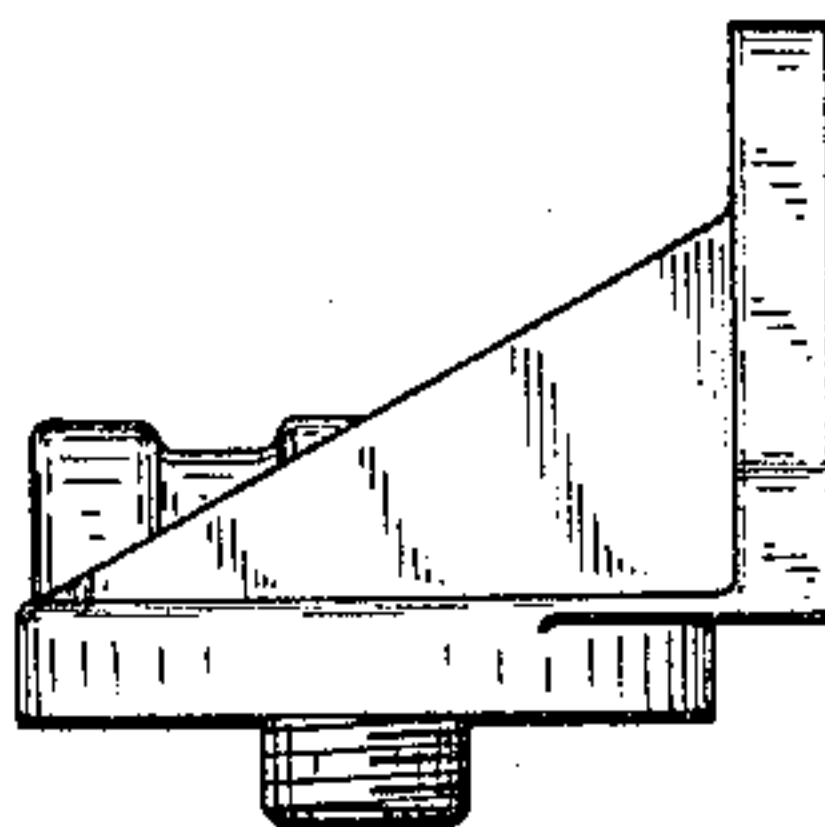
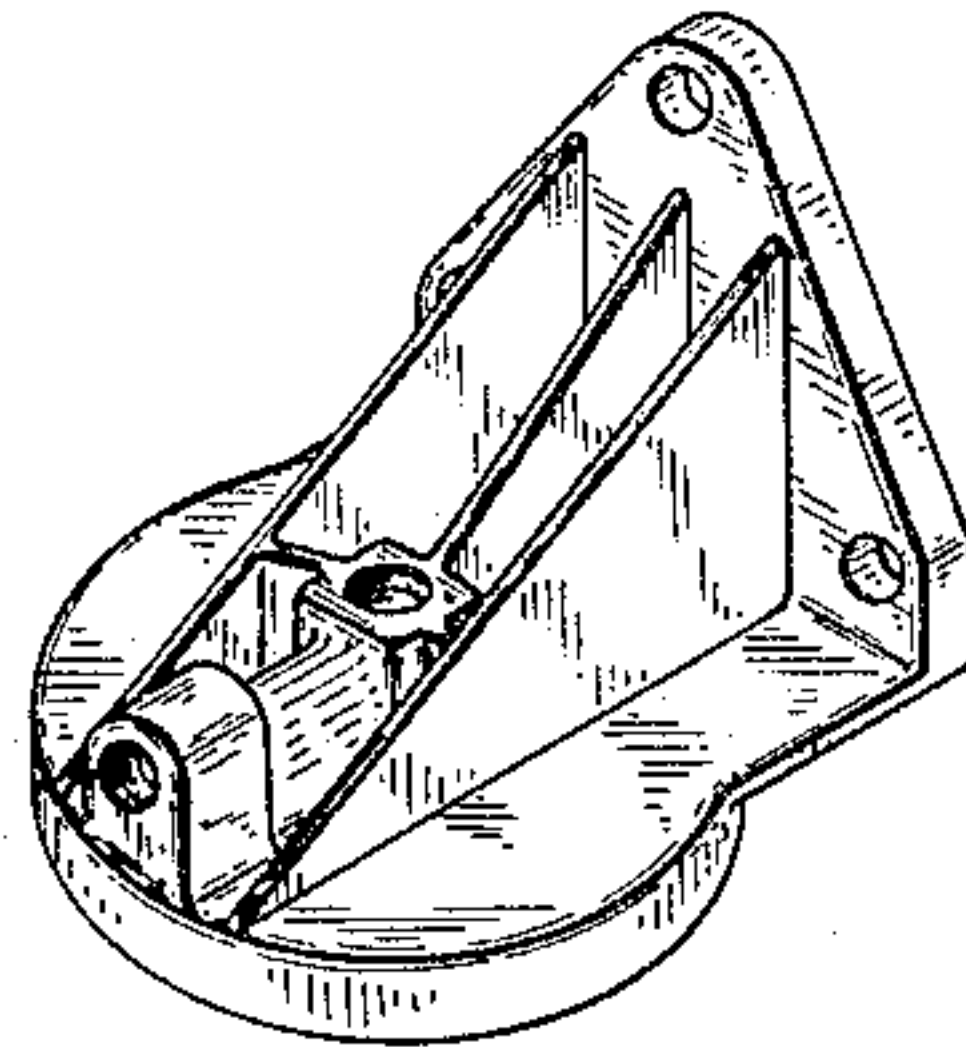


Fig. 1

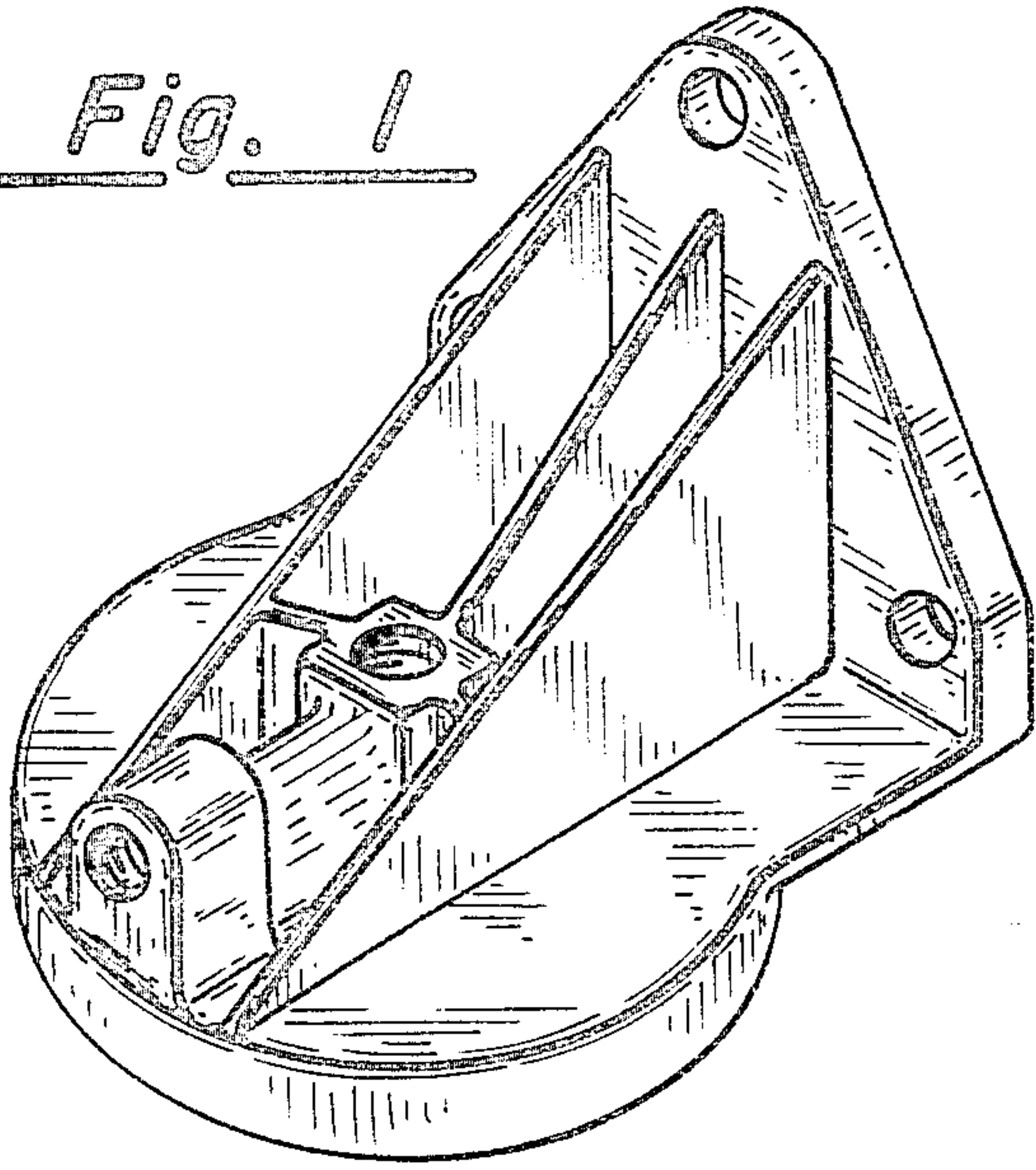


Fig. 2

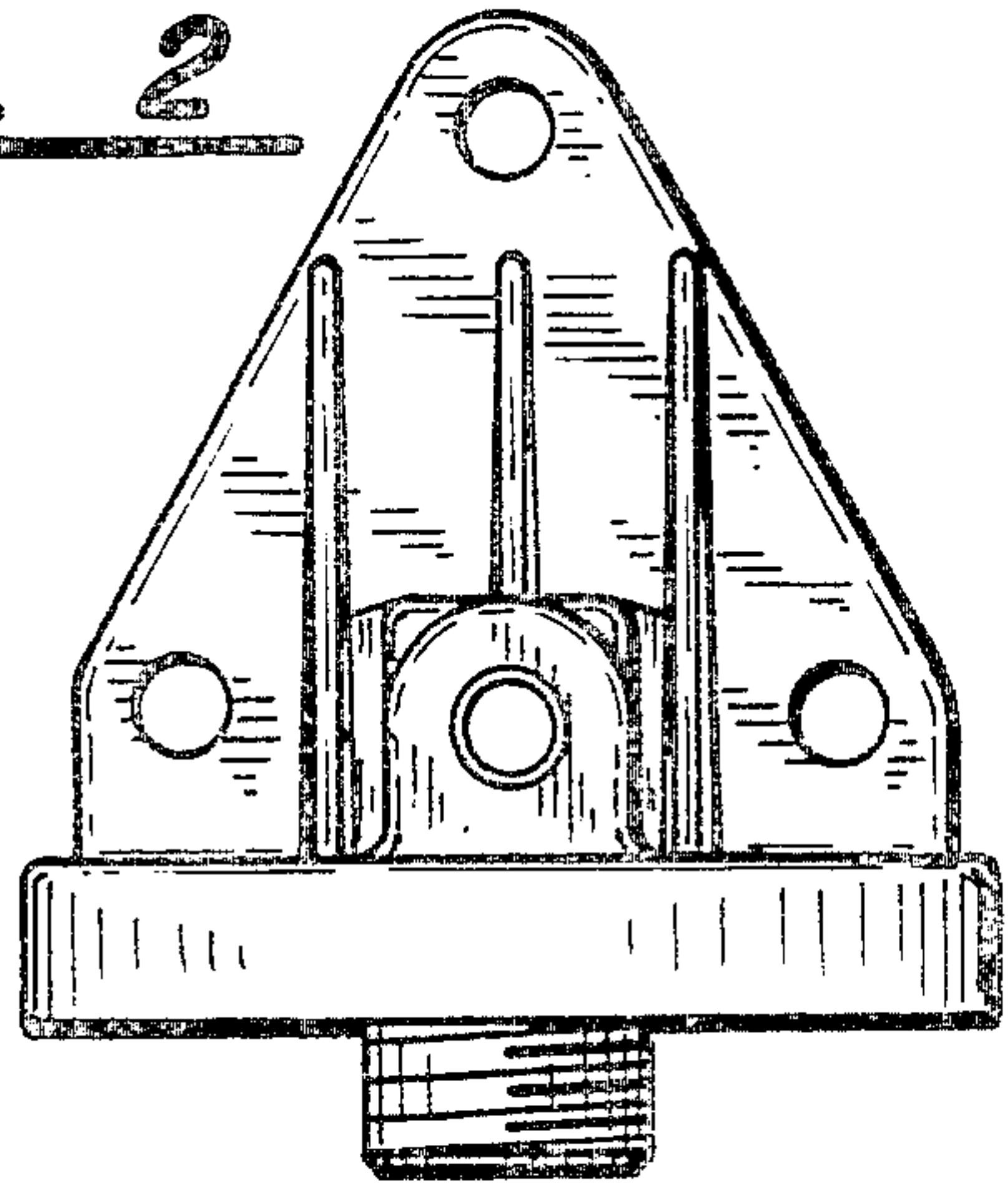


Fig. 3

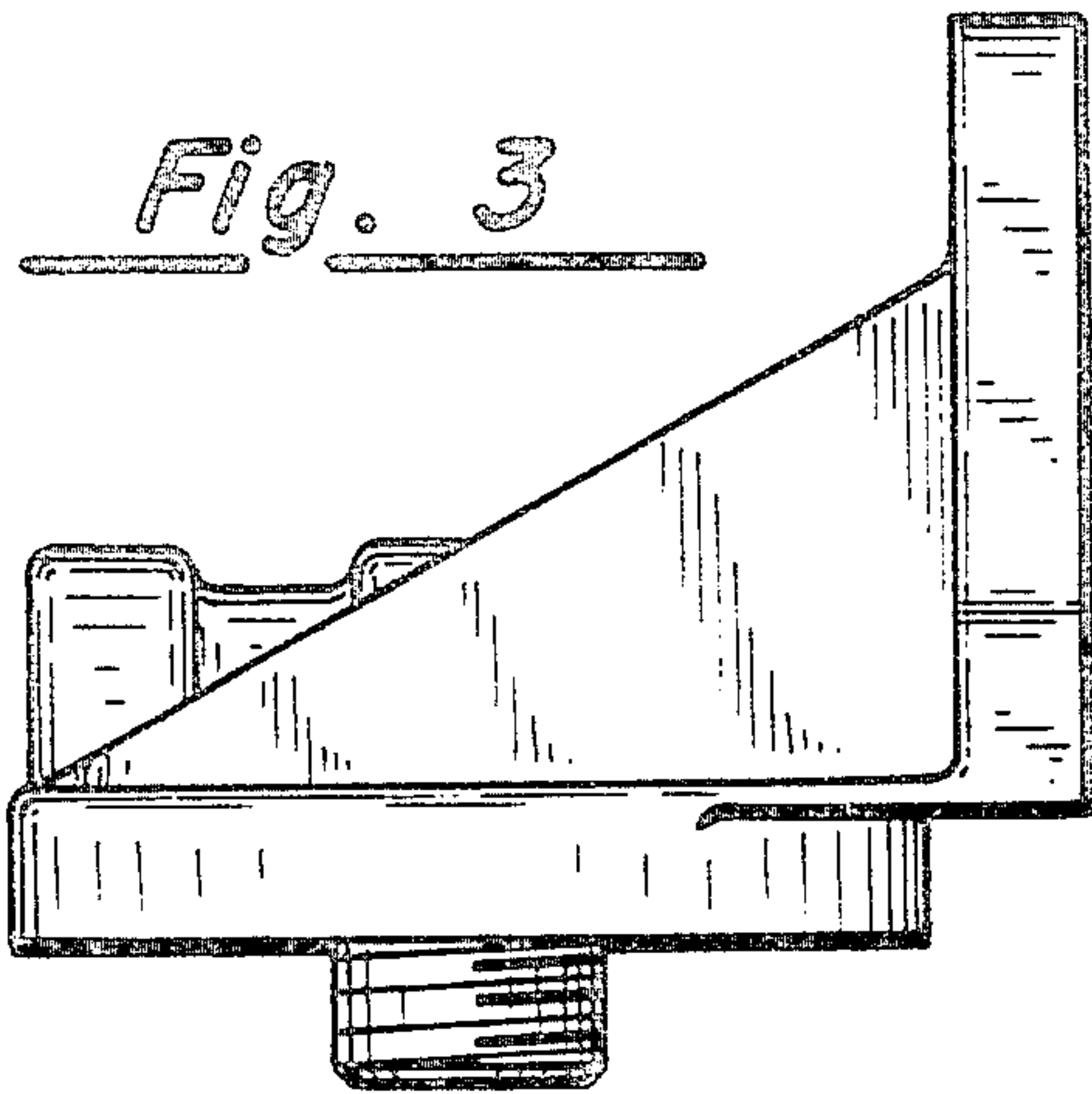


Fig. 4

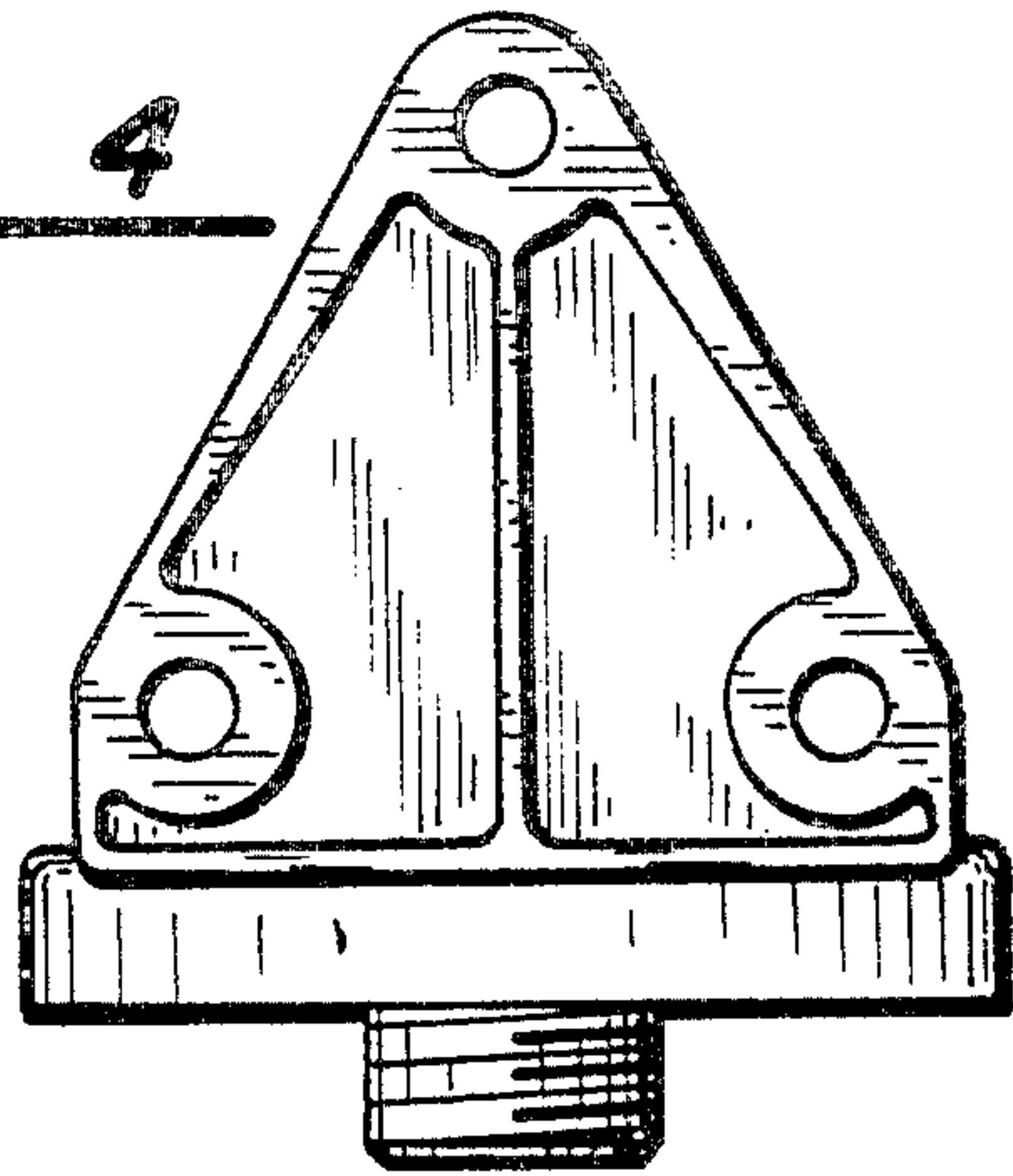


Fig. 5

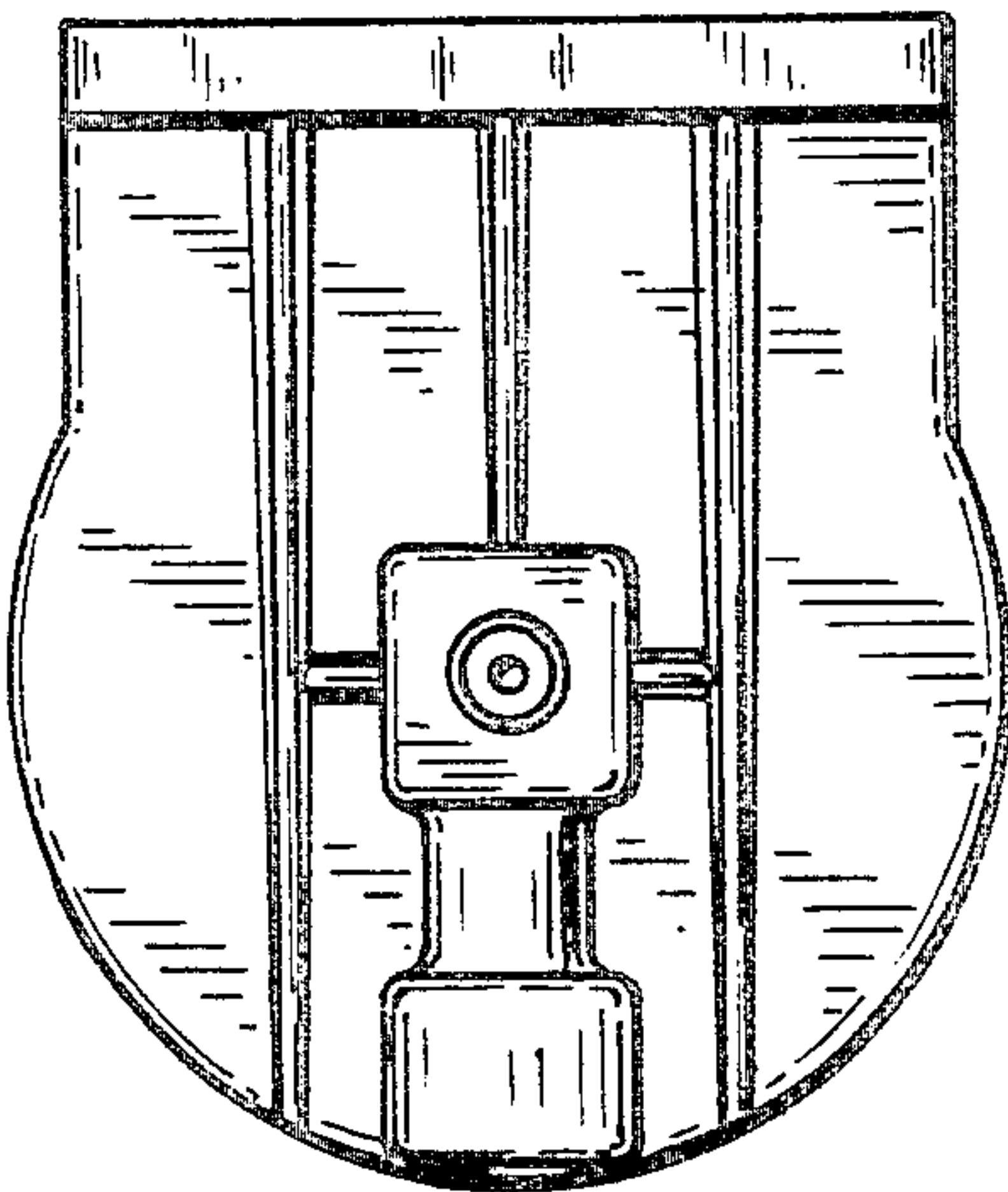


Fig. 6

