

[54] **WALL RACK**

[75] **Inventor:** Victor R. Spicer, Auckland, New Zealand

[73] **Assignee:** Planhorse International (NZ) Limited, Auckland, New Zealand

[**] **Term:** 14 Years

[21] **Appl. No.:** 640,362

[22] **Filed:** Aug. 13, 1984

[30] **Foreign Application Priority Data**

Feb. 13, 1984 [NZ] New Zealand 18920

[52] **U.S. Cl.** D8/373; D6/553;
D8/363; D8/366; D8/380

[58] **Field of Search** D8/380, 381, 363;
211/13, 16, 35, 40, 42, 45, 47, 60.1, 61, 71, 74,
75, 85, 88, 90, 126, 128, 134, 153, 181;
248/311.2, 314, 243, 235, 245, 297.2, 340, 333,
327, 315, 251; D6/512, 513, 524

[56] **References Cited**

U.S. PATENT DOCUMENTS

D. 213,569 3/1969 Paine D8/381
D. 234,455 3/1975 Blake D8/381
D. 238,036 12/1975 Curtis D8/363
1,208,849 12/1916 Smart 248/235

FOREIGN PATENT DOCUMENTS

1331113 6/1962 France 248/235

OTHER PUBLICATIONS

Schöner Wohnen, 5/1981, p. 106, W. Mounted Bracket, located middle left of p. #5.

Primary Examiner—B. J. Bullock
Attorney, Agent, or Firm—Holman & Stern

[57] **CLAIM**

The ornamental design for the wall rack, as shown and described.

DESCRIPTION

FIG. 1 is a perspective view of a wall rack showing my new design;

FIG. 2 is an enlarged bottom plan view thereof;

FIG. 3 is an enlarged rear elevational view thereof;

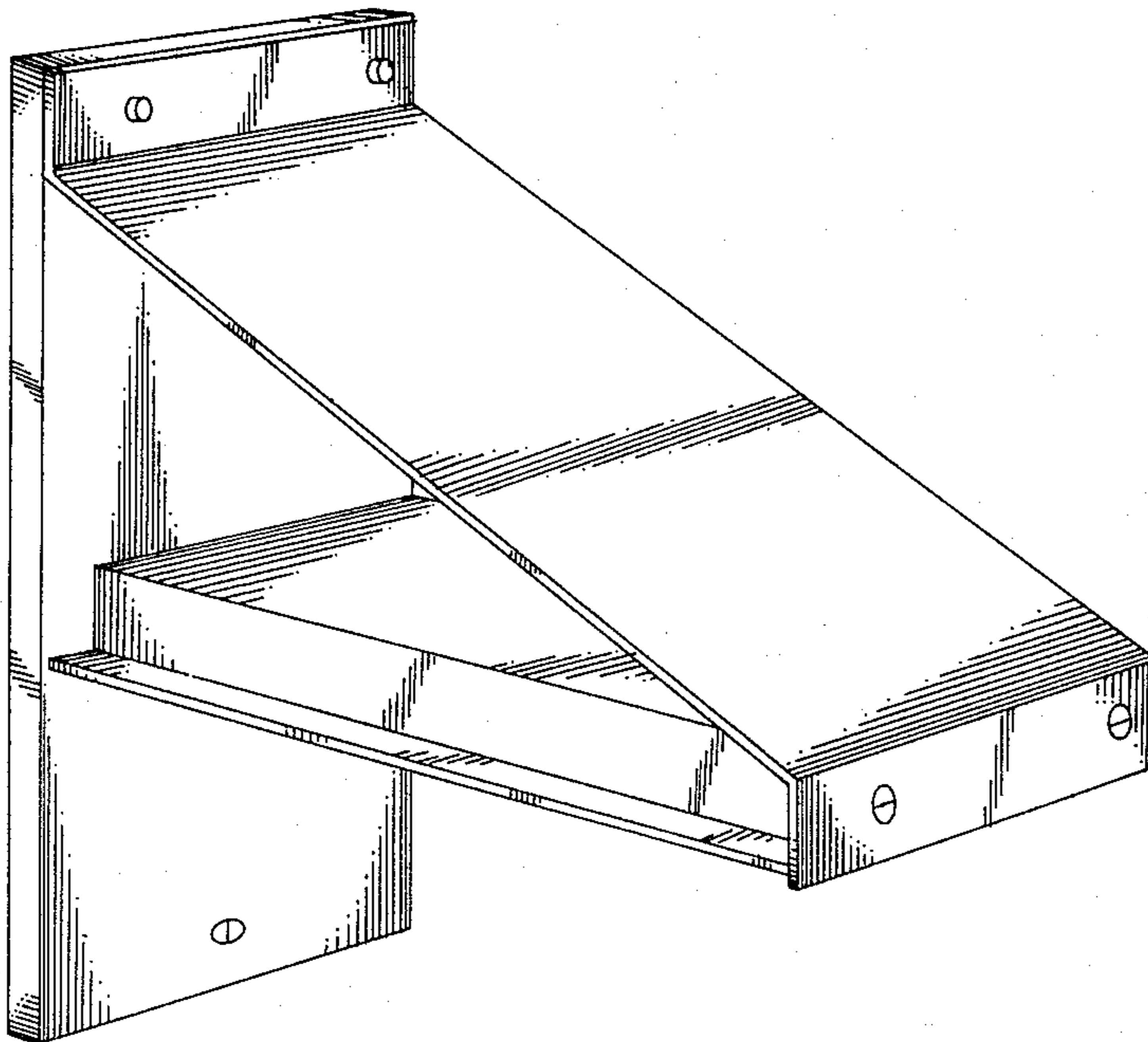
FIG. 4 is an enlarged top plan view thereof;

FIG. 5 is an enlarged side elevational view taken from the right of FIG. 1;

FIG. 6 is an enlarged side elevational view taken from the left of FIG. 1;

FIG. 7 is an enlarged front elevational view thereof; and

FIG. 8 is a further enlarged bottom perspective of the lower support shown separated for ease of illustration.



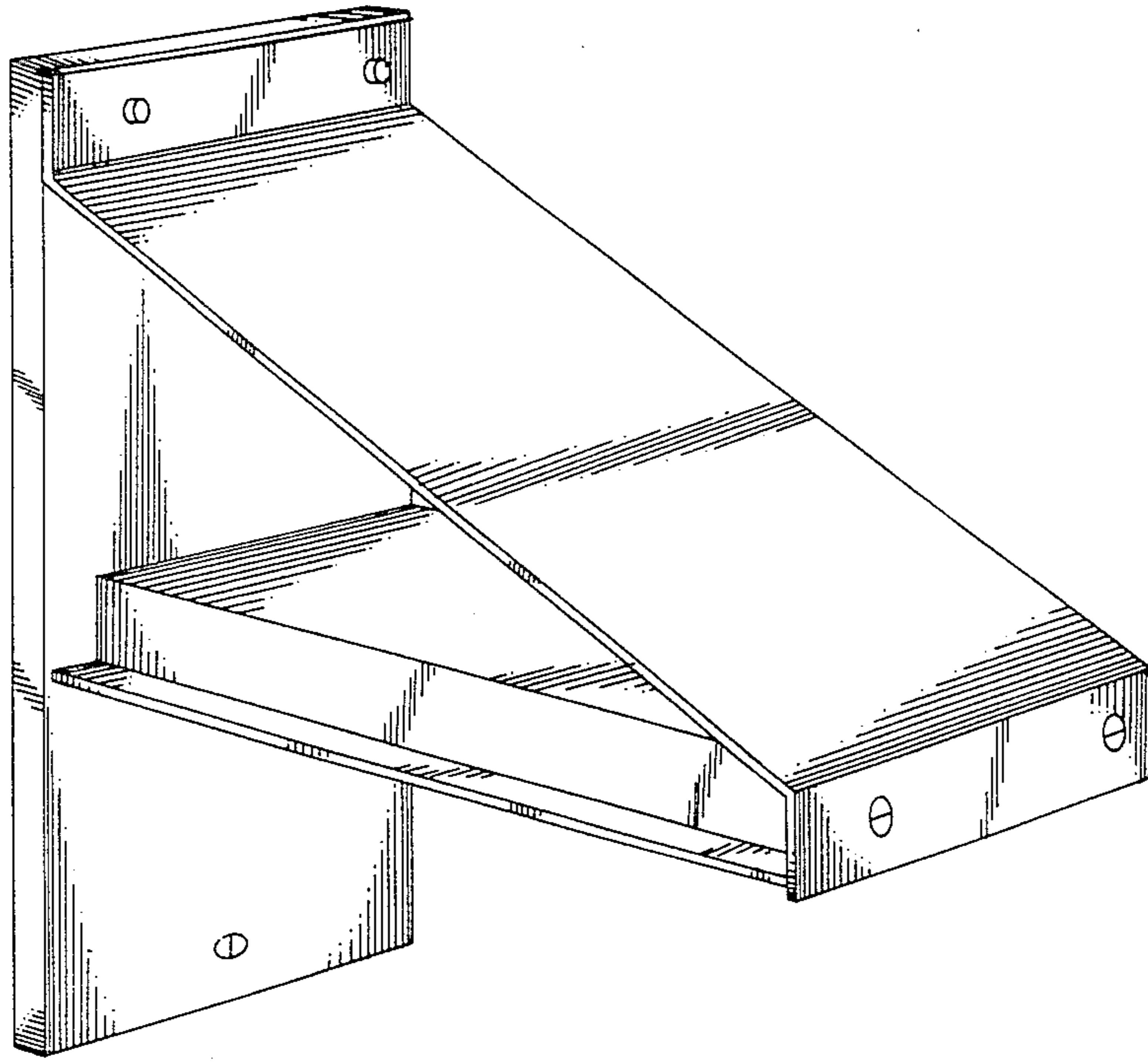


FIG. 1

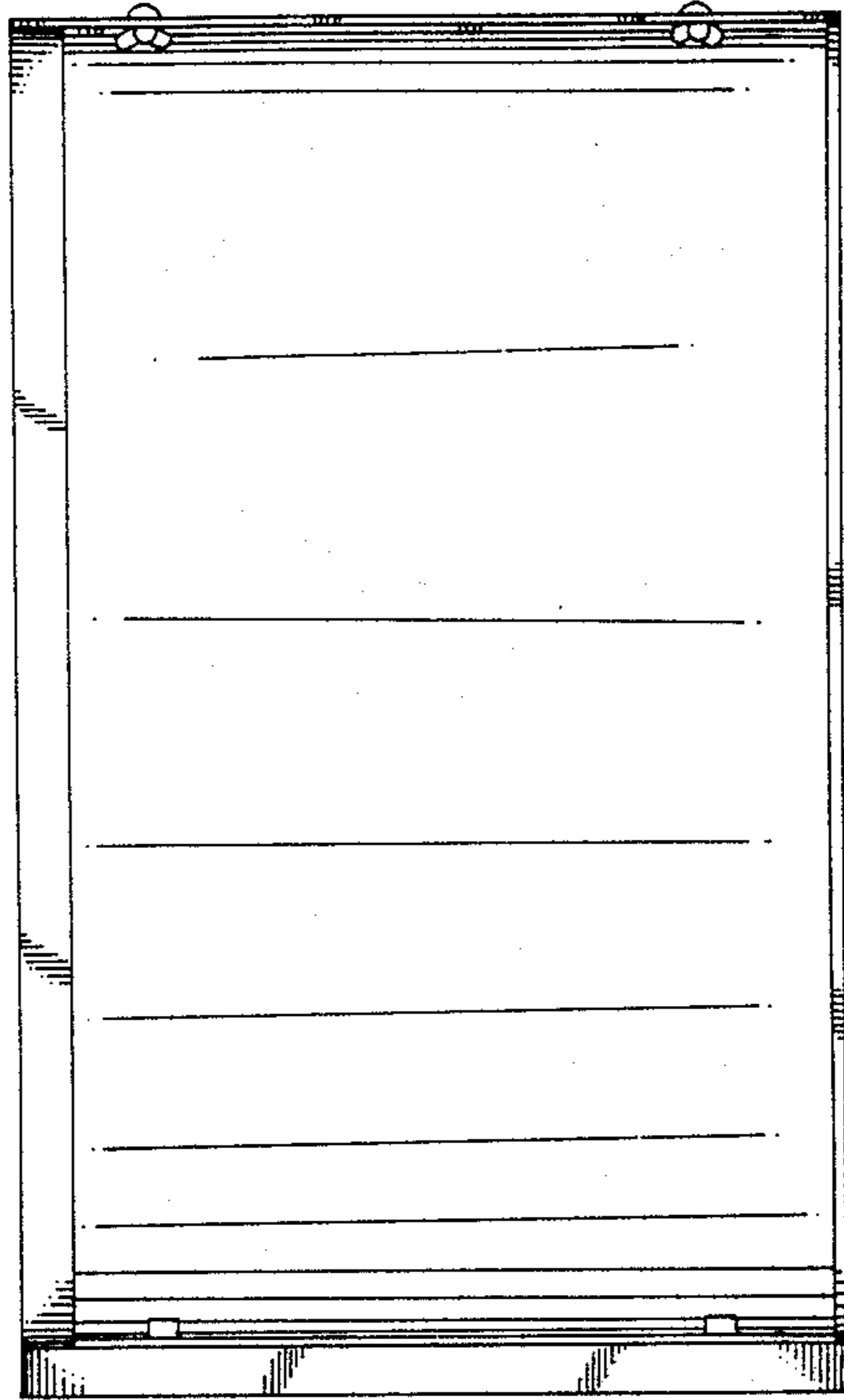


FIG. 2

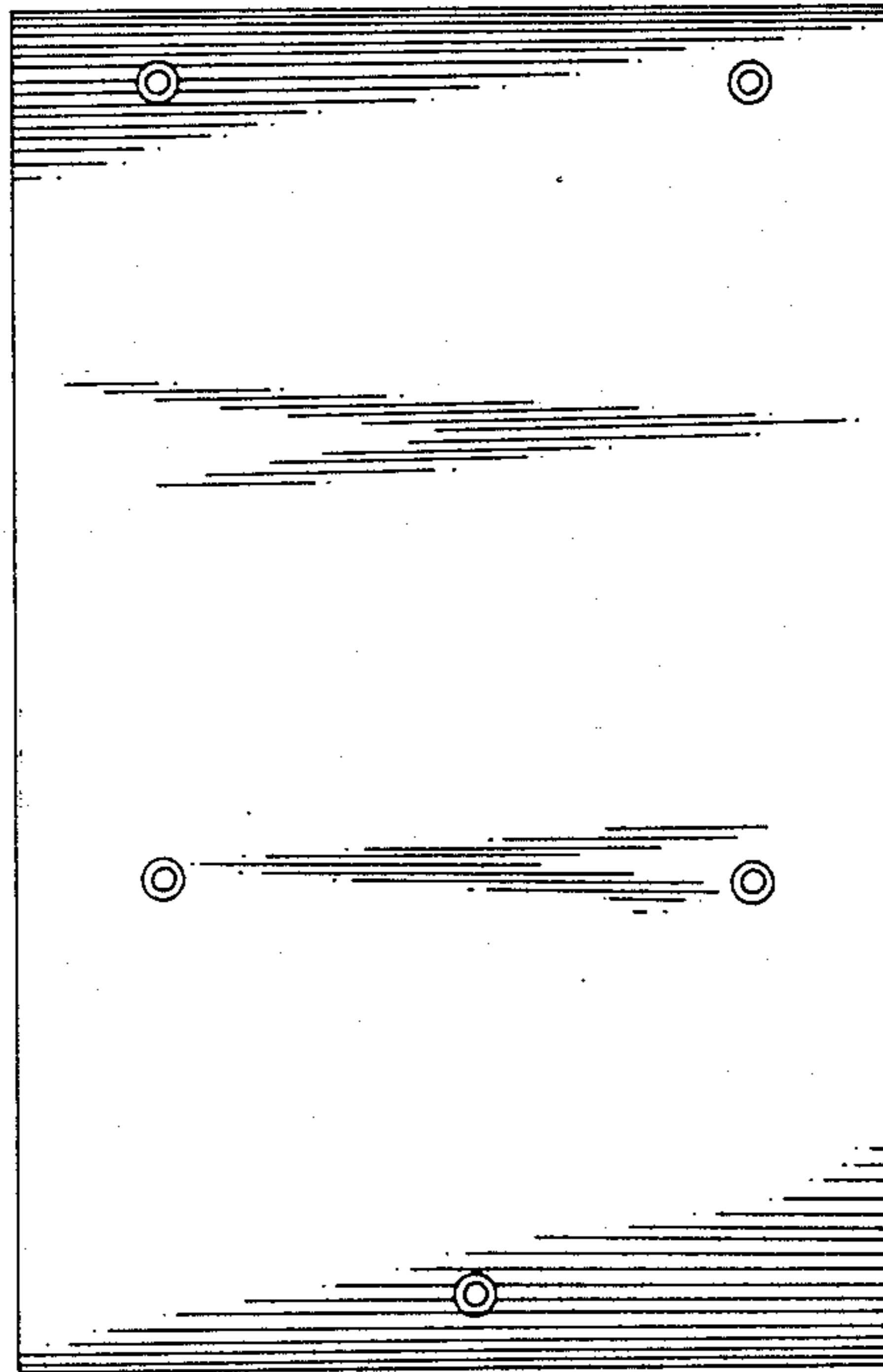


FIG. 3

FIG. 4

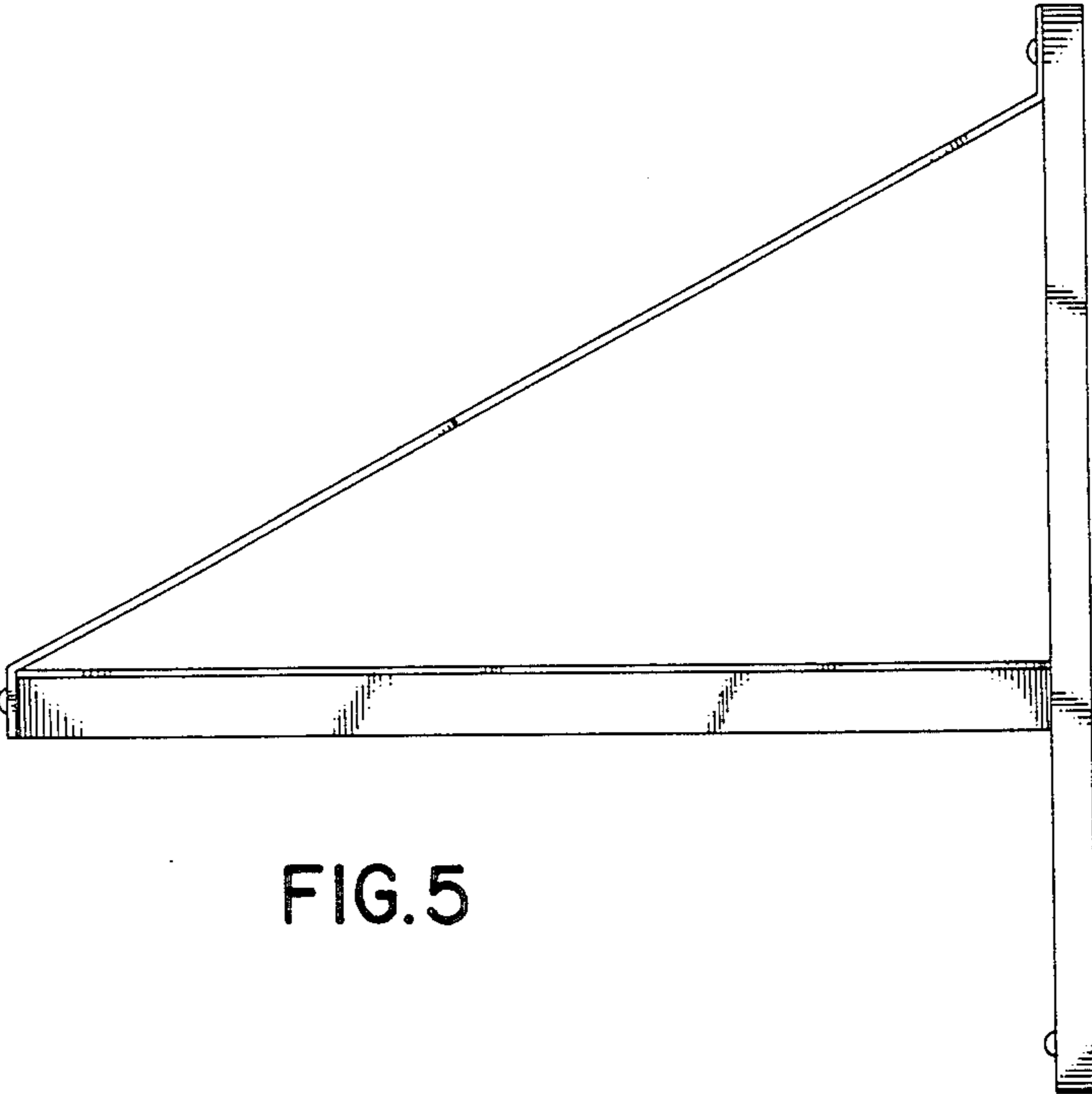
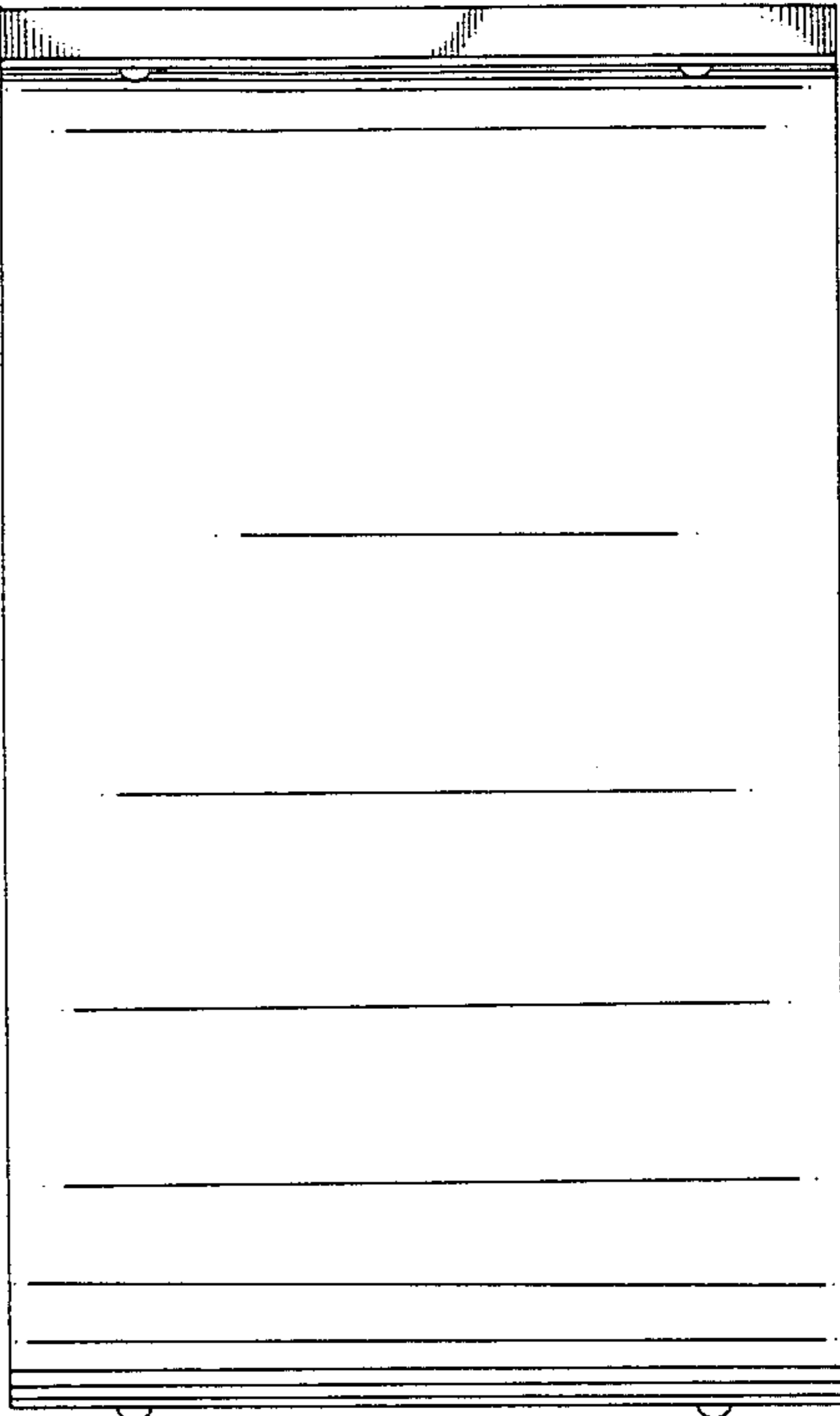


FIG. 5

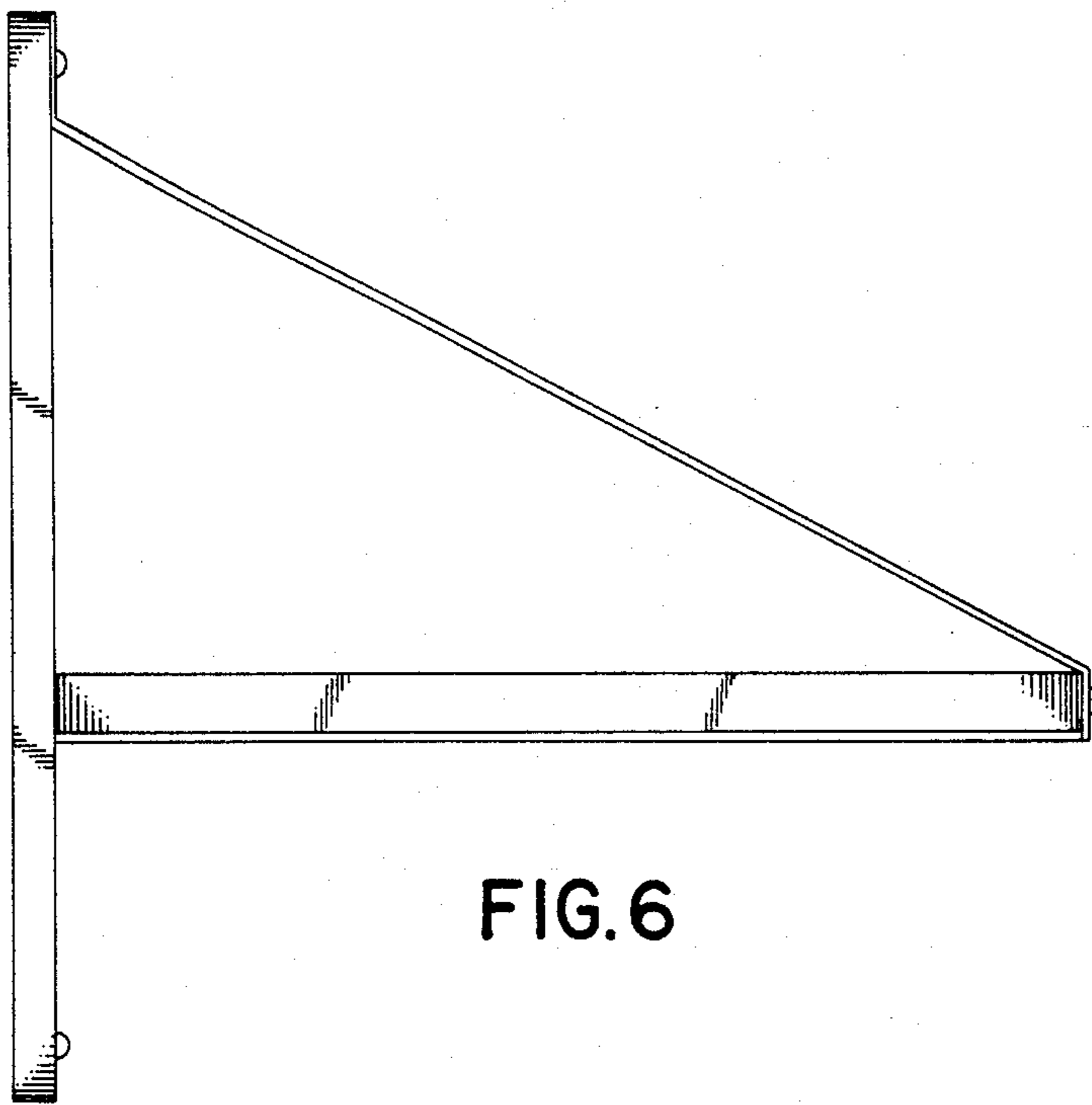


FIG. 6

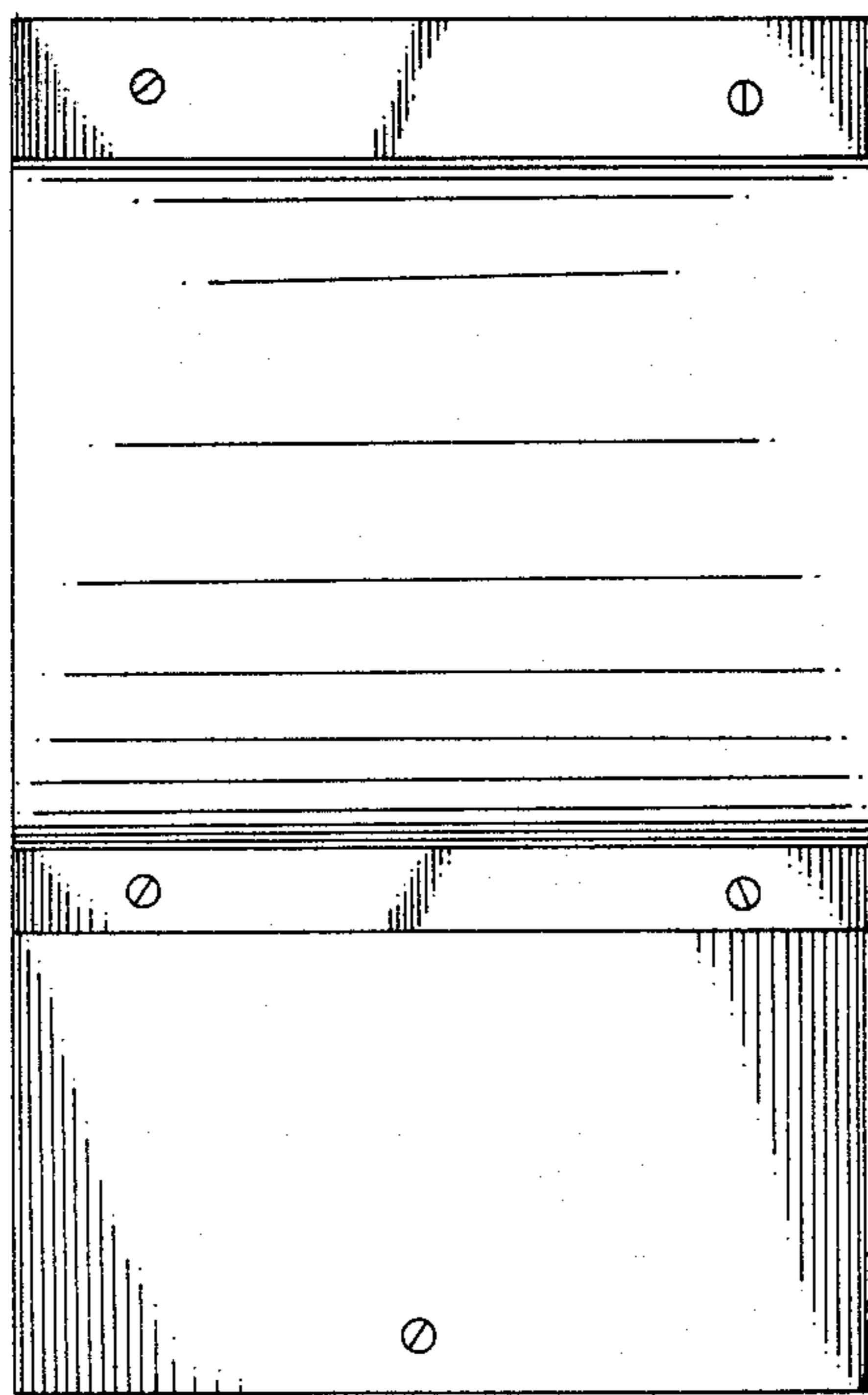


FIG. 7

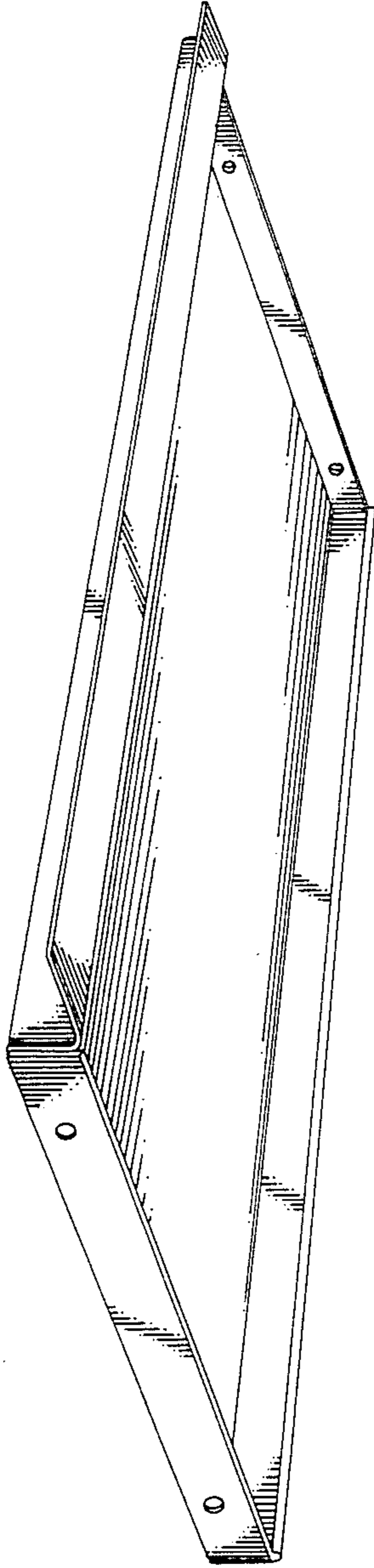


FIG. 8