

[54] TRANSMISSION ADAPTOR BRACKET

[76] Inventor: Robert E. Schnable, Box 533, Huron, S. Dak. 57350

[**] Term: 14 Years

[21] Appl. No.: 650,788

[22] Filed: Sep. 17, 1984

[52] U.S. Cl. D8/354; D8/380; 74/606 R

[58] Field of Search D8/354, 380; 74/606 R

[56] References Cited

U.S. PATENT DOCUMENTS

1,421,761	7/1922	Belden	74/606
1,422,622	7/1922	Riddle	74/606
3,339,270	9/1967	Walton et al.	74/606
4,242,923	1/1981	Nishikawa et al.	74/606 R

4,506,561	3/1985	Hayakawa	74/606 R
4,539,865	9/1985	Goueda et al.	74/606 R

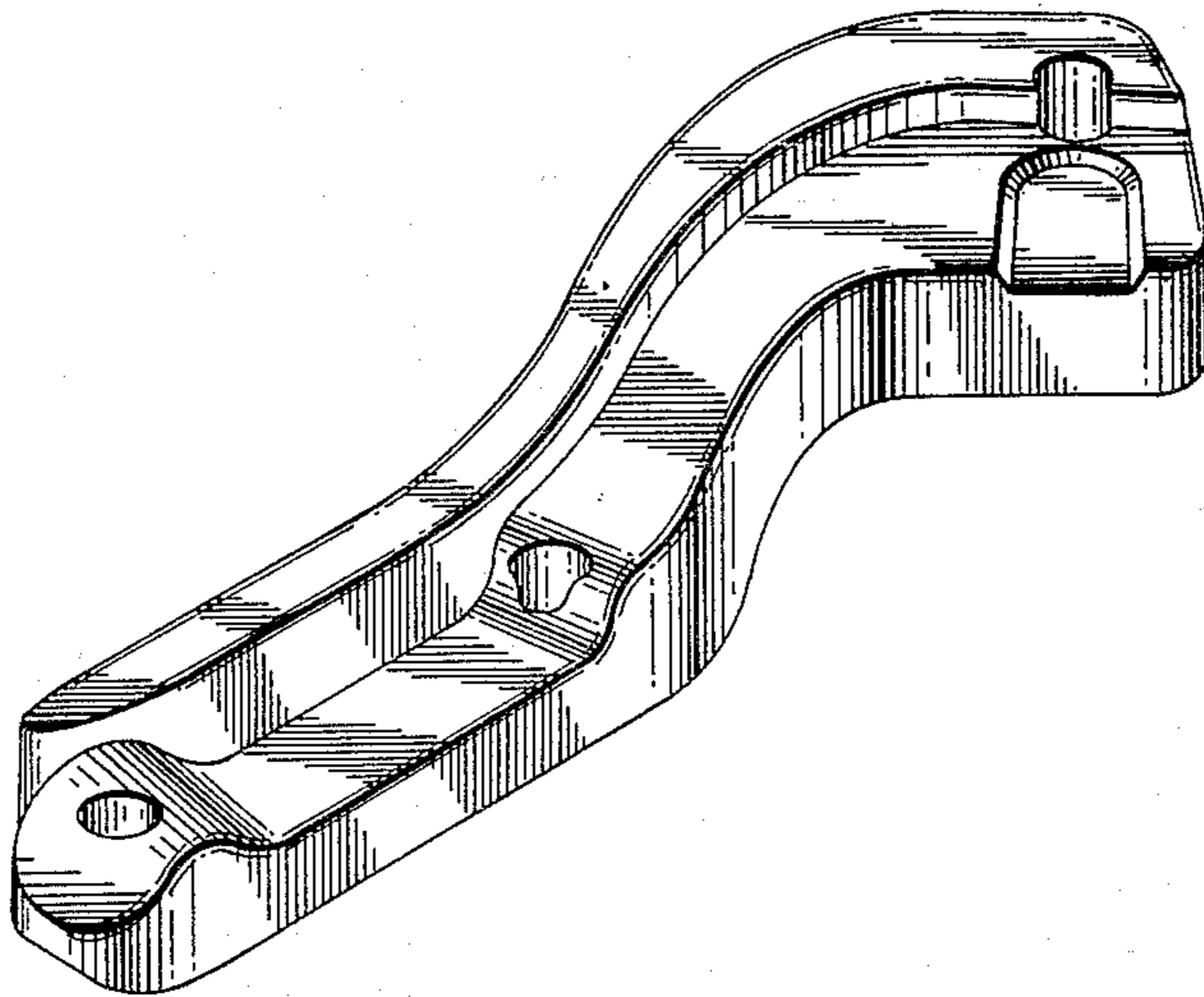
Primary Examiner—Wallace R. Burke
Assistant Examiner—Horace B. Fay
Attorney, Agent, or Firm—Kinney & Lange

[57] CLAIM

The ornamental design for a transmission adaptor bracket, as shown and described.

DESCRIPTION

FIG. 1 is a left side, top and front perspective view of a transmission adaptor bracket showing my new design; FIG. 2 is a top plan view thereof; FIG. 3 is a rear elevational view thereof; FIG. 4 is a front elevational view thereof; FIGS. 5 and 6 are, respectively, left and right side elevational views thereof; FIG. 7 is a bottom plan view thereof.



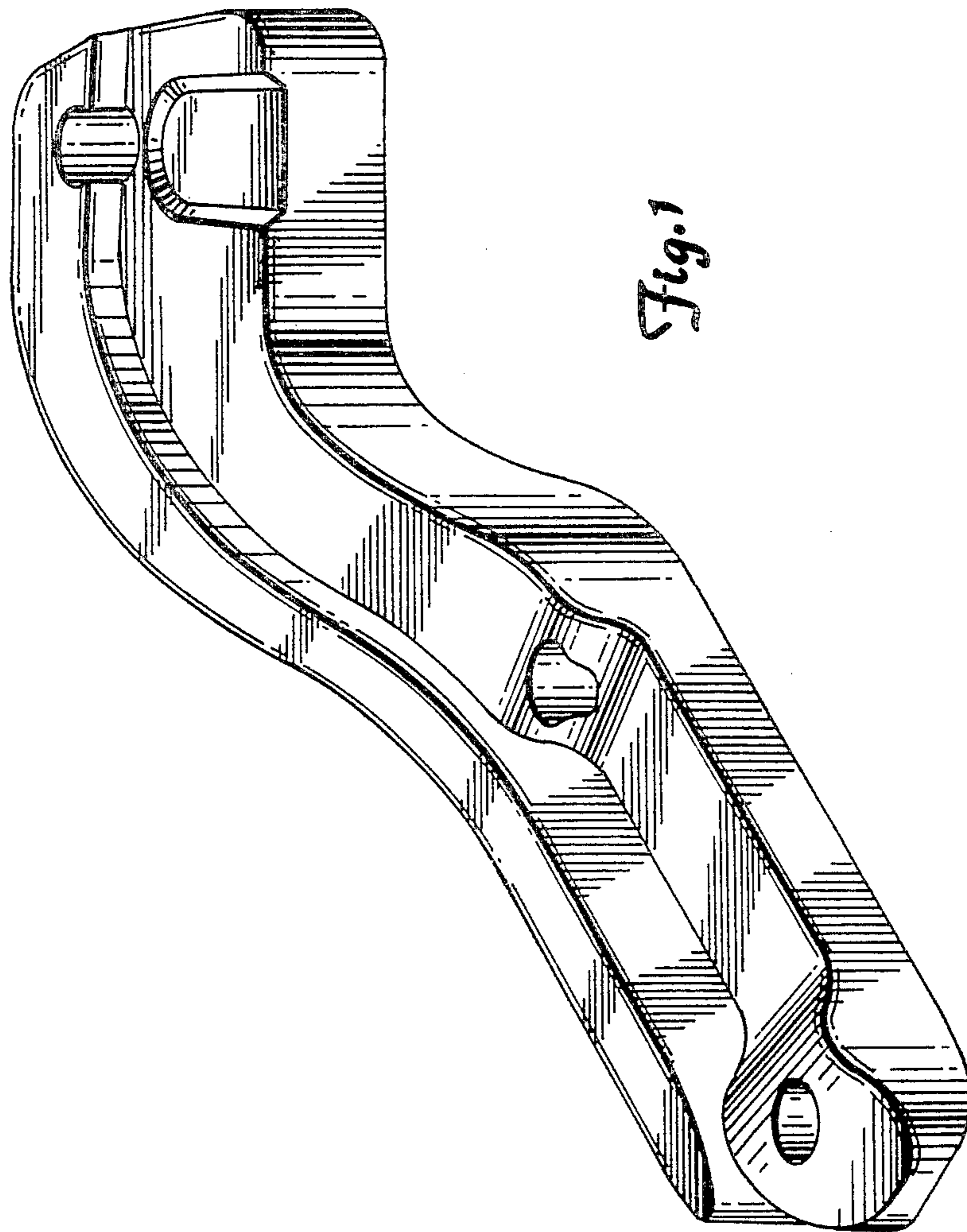


Fig. 1

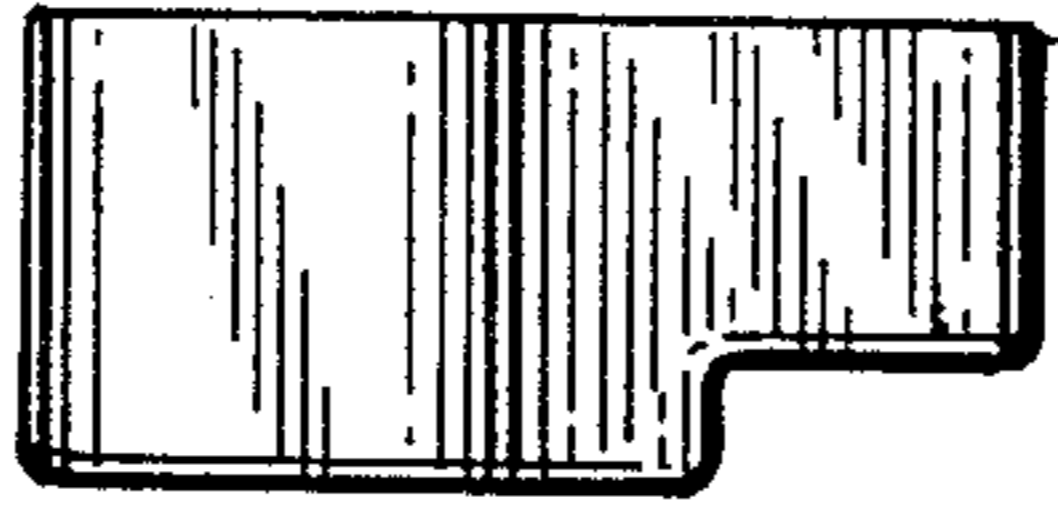


Fig. 6

Fig. 3

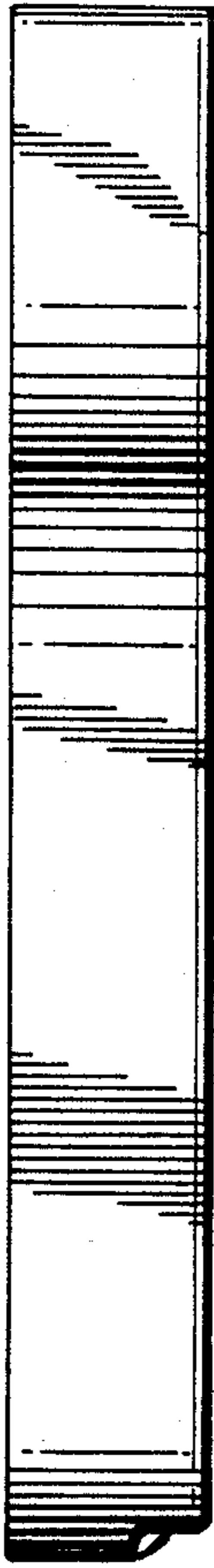


Fig. 2

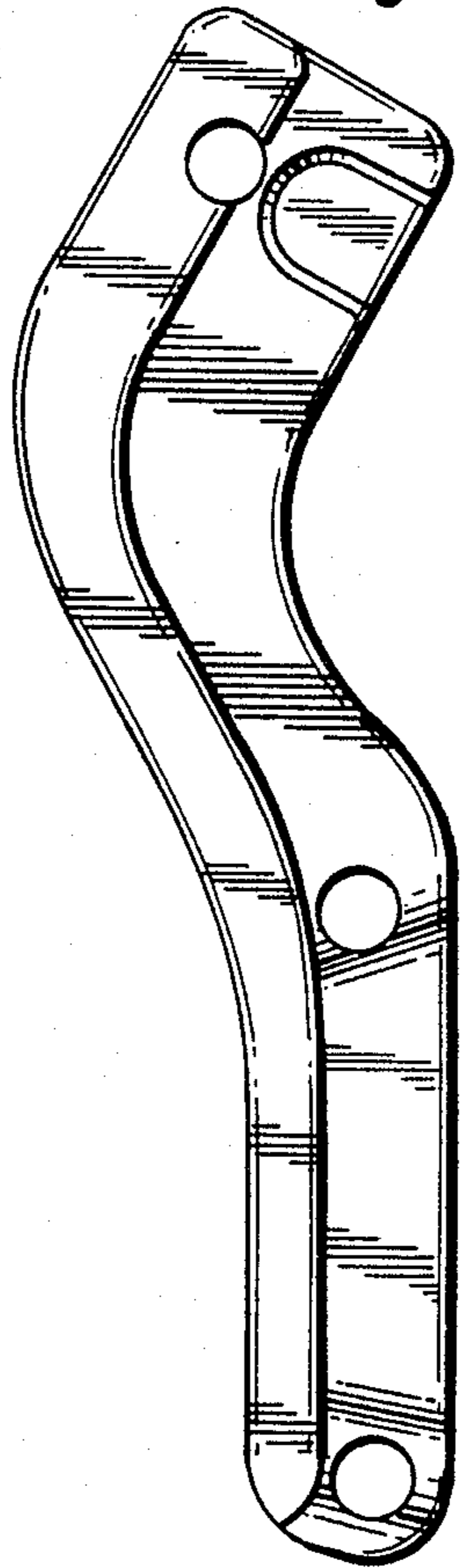


Fig. 4

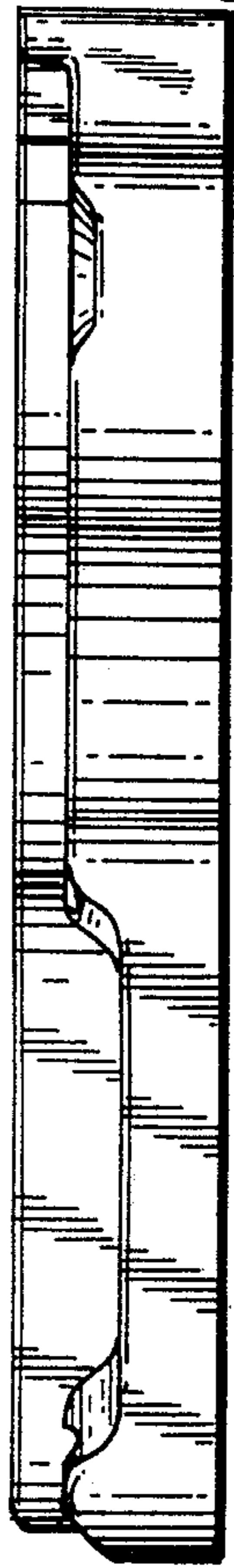
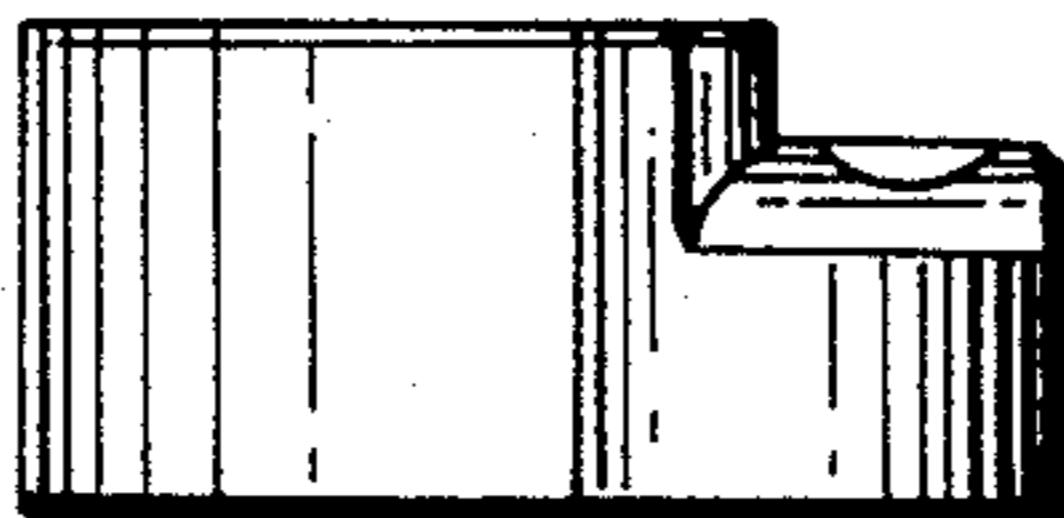


Fig. 5



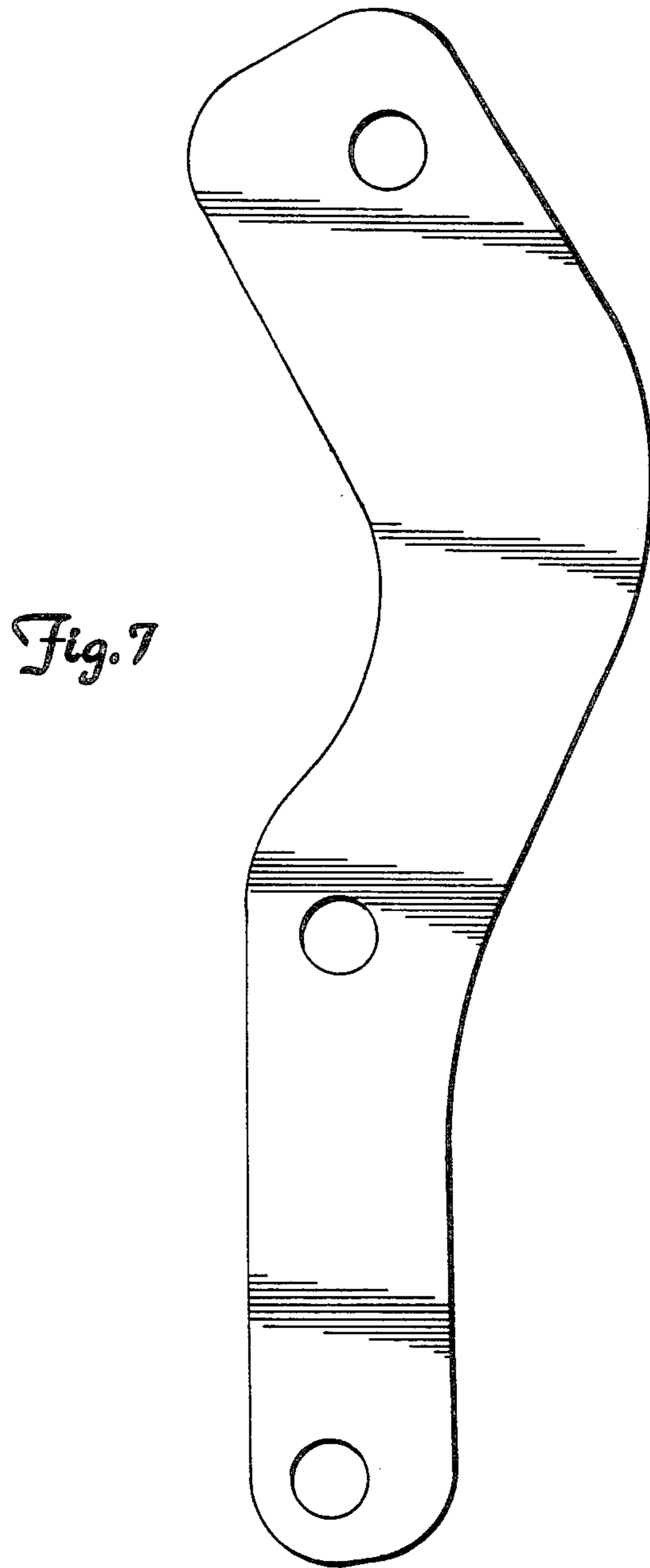


Fig. 7