

[54] FIREARM MAGAZINE RELEASE MECHANISM

[76] Inventor: M. Gaines Chesnut, 17219 W. 57th Pl., Golden, Colo. 80401

[**] Term: 14 Years

[21] Appl. No.: 615,825

[22] Filed: May 31, 1984

[52] U.S. Cl. D8/349; D22/108

[58] Field of Search D8/349; D22/108; D42/6

[56] References Cited

U.S. PATENT DOCUMENTS

D. 27,657	9/1897	Johnson	D22/108
1,365,509	1/1921	Larson	42/6
4,429,479	2/1984	Johnson	42/6
4,450,641	5/1984	Bullis et al.	42/6

OTHER PUBLICATIONS

Sturm, Ruger & Co. Inc. Instruction Manual for Ruger Mini-Rifle; bearing apparent publication date, 5-81; on p. 5, Item B34.

Primary Examiner—James M. Gandy

Assistant Examiner—Horace B. Fay

Attorney, Agent, or Firm—Sheridan, Ross & McIntosh

[57] CLAIM

The ornamental design for a firearm magazine release mechanism, as shown and described.

DESCRIPTION

FIG. 1 is a front, side and top view of a firearm magazine release mechanism showing my new design; FIG. 2 is a side elevational view thereof; and FIG. 3 is a top plan view thereof.

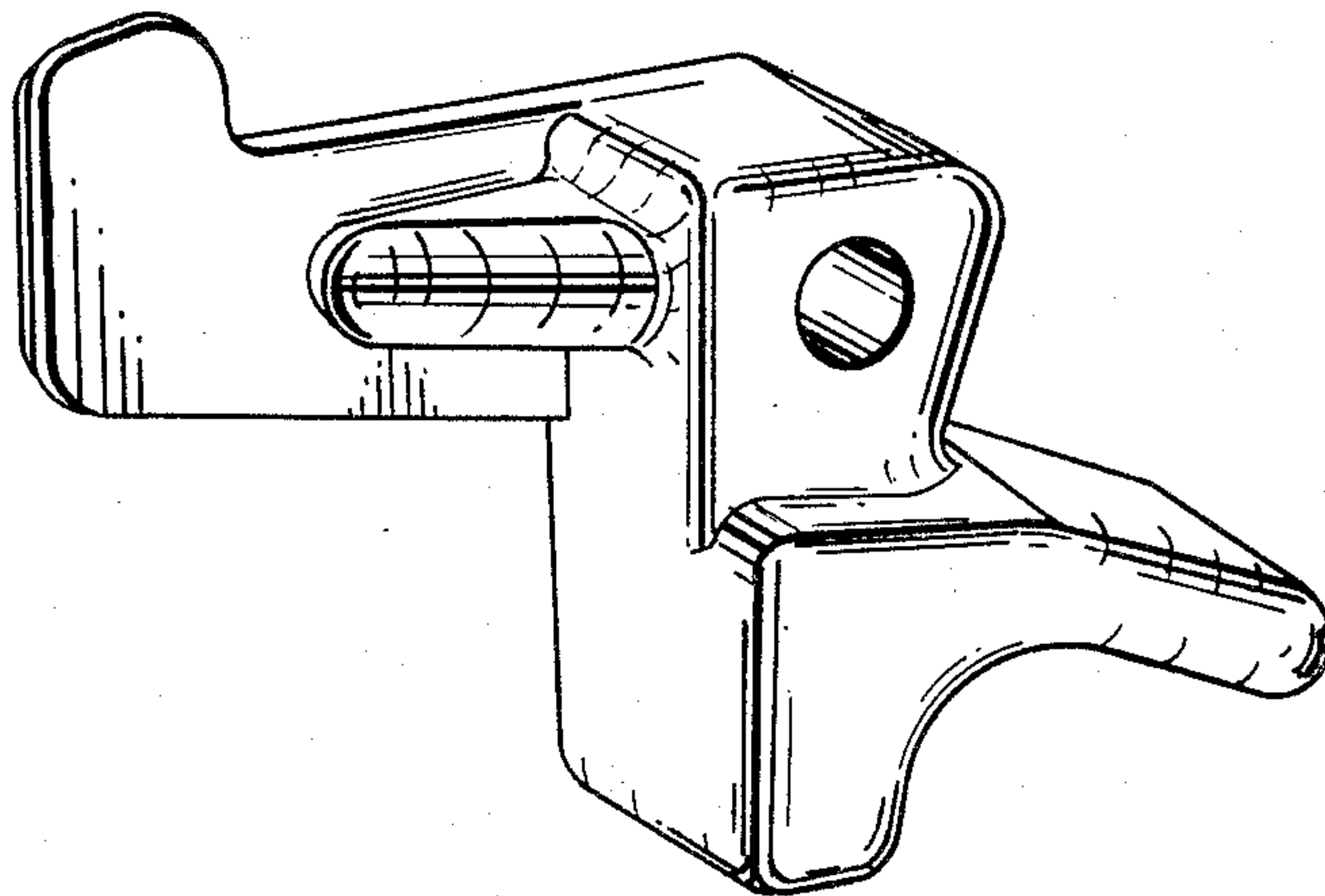


Fig. 1.

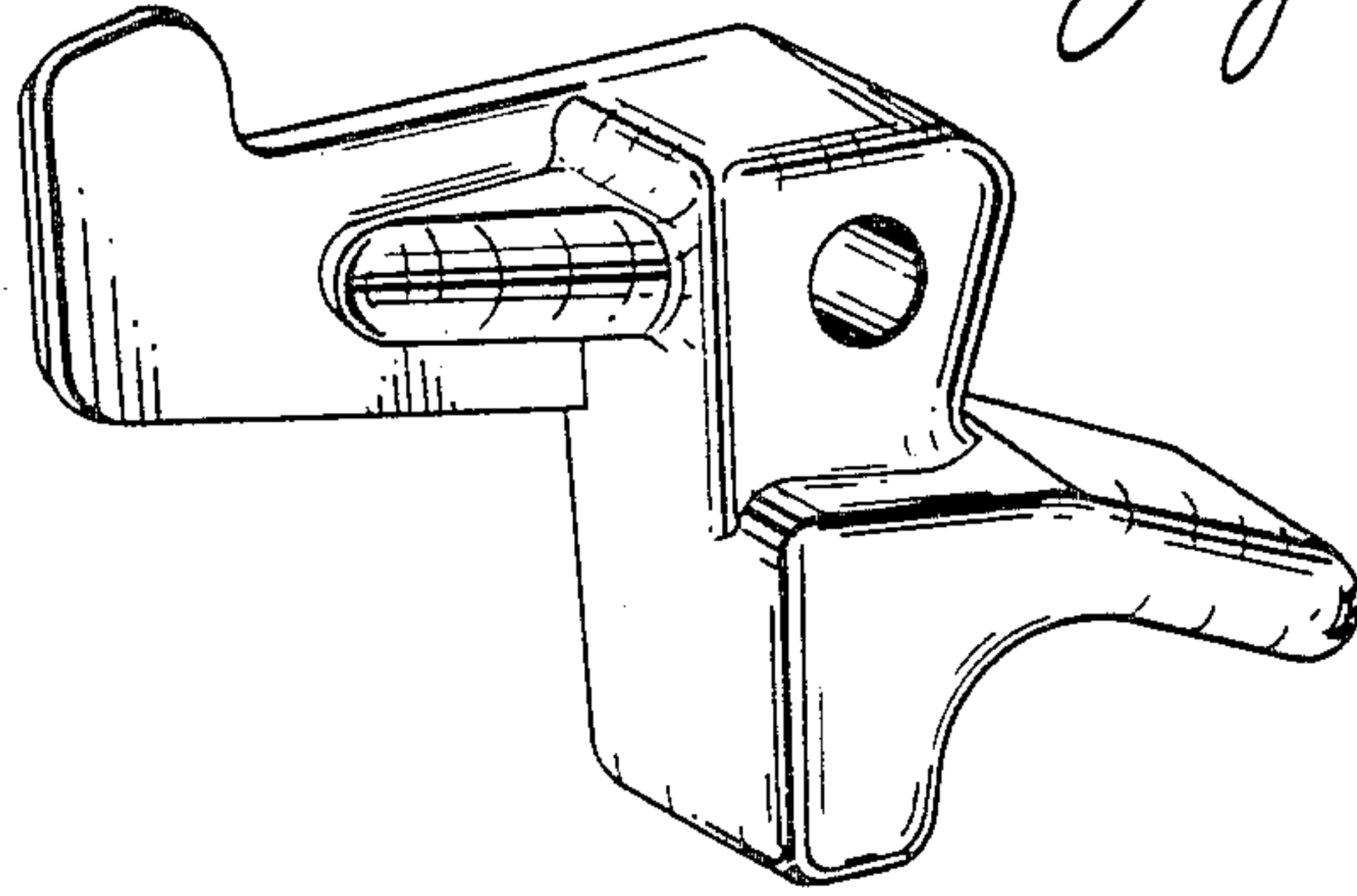


Fig. 2.

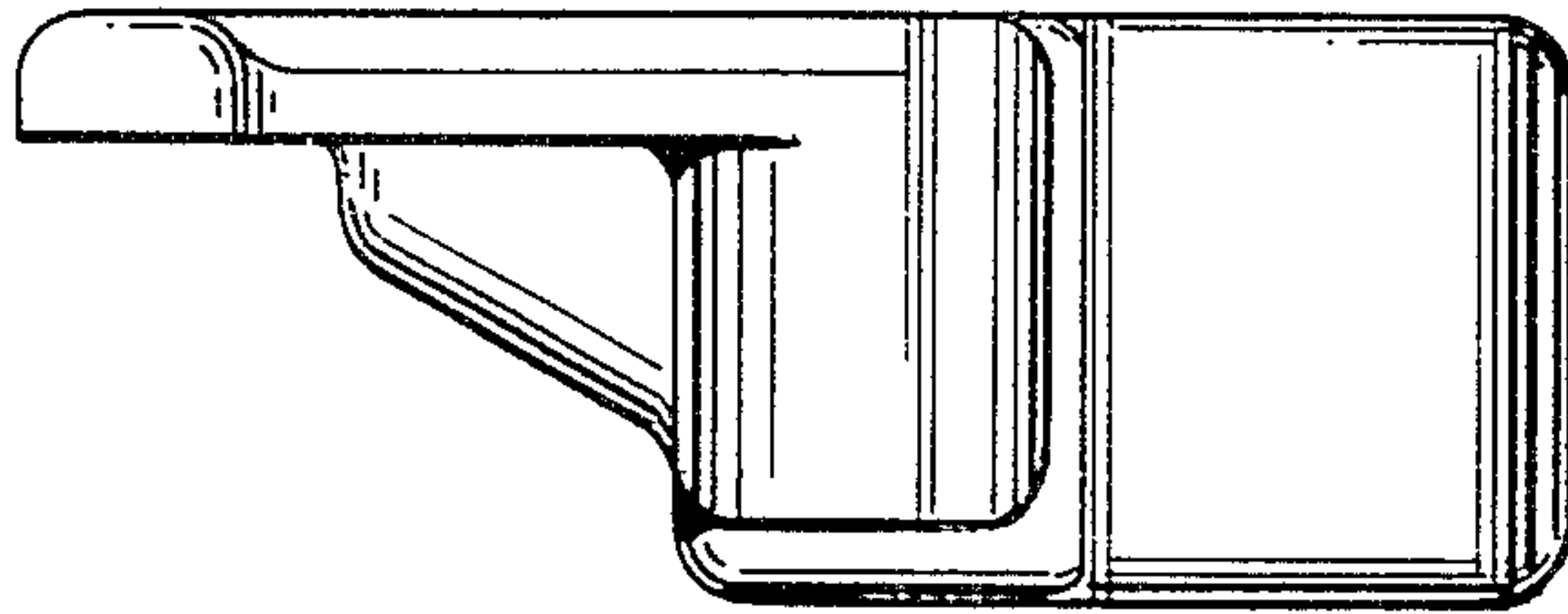


Fig. 3.

