

[54] CARRIER FOR LARGE FLAT SHEETS OF BUILDING MATERIALS

FOREIGN PATENT DOCUMENTS

1064438 10/1979 Canada 294/15

[76] Inventor: Eugene U. Harney, 501 Galena St., Aurora, Colo. 80010

OTHER PUBLICATIONS

Goldblatt Trowel Trades Tools Cat. 1975, p. 67 "Carrier-Lifter".

[**] Term: 14 Years

Primary Examiner—George P. Word
Attorney, Agent, or Firm—Dean P. Edmundson

[21] Appl. No.: 642,387

[57] CLAIM

[22] Filed: Aug. 20, 1984
[52] U.S. Cl. D8/14; D3/30.1
[58] Field of Search D8/14, 102, 154, 71;
D3/30.1; 294/15, 16, 26, 153, 49

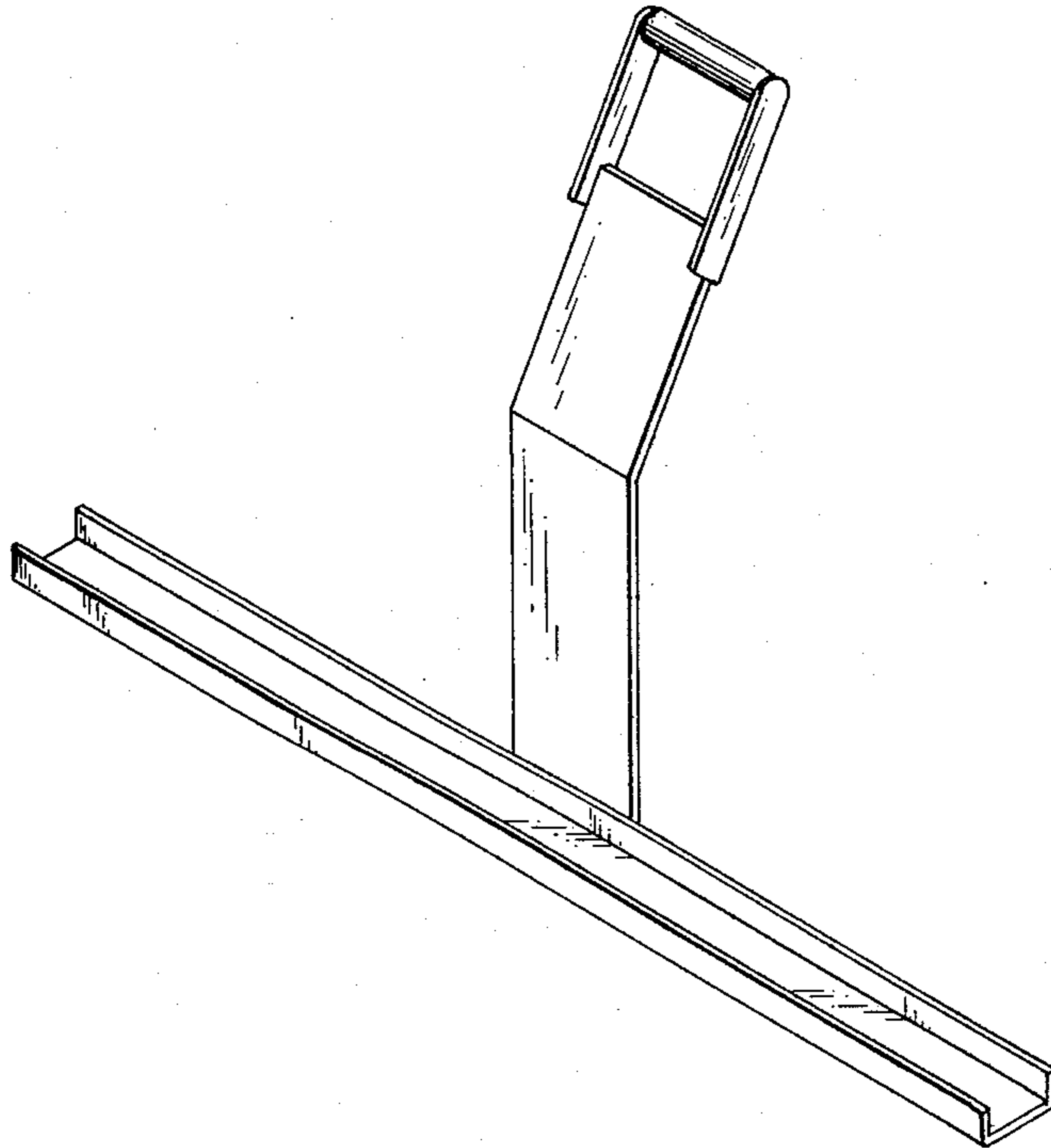
The ornamental design for a carrier for large flat sheets of building materials, as shown.

DESCRIPTION

[56] References Cited
U.S. PATENT DOCUMENTS

D. 217,002 3/1970 Wagner D3/30.1
D. 255,317 6/1980 Slinkard D8/14
2,428,914 10/1947 Packard 294/15

FIG. 1 is a perspective view of a carrier for large flat sheets of building materials showing my new design; FIG. 2 is a right side elevational view thereof; FIG. 3 is a top plan view thereof; FIG. 4 is a bottom plan view thereof; FIG. 5 is a front elevational view thereof; and FIG. 6 is a rear elevational view thereof.



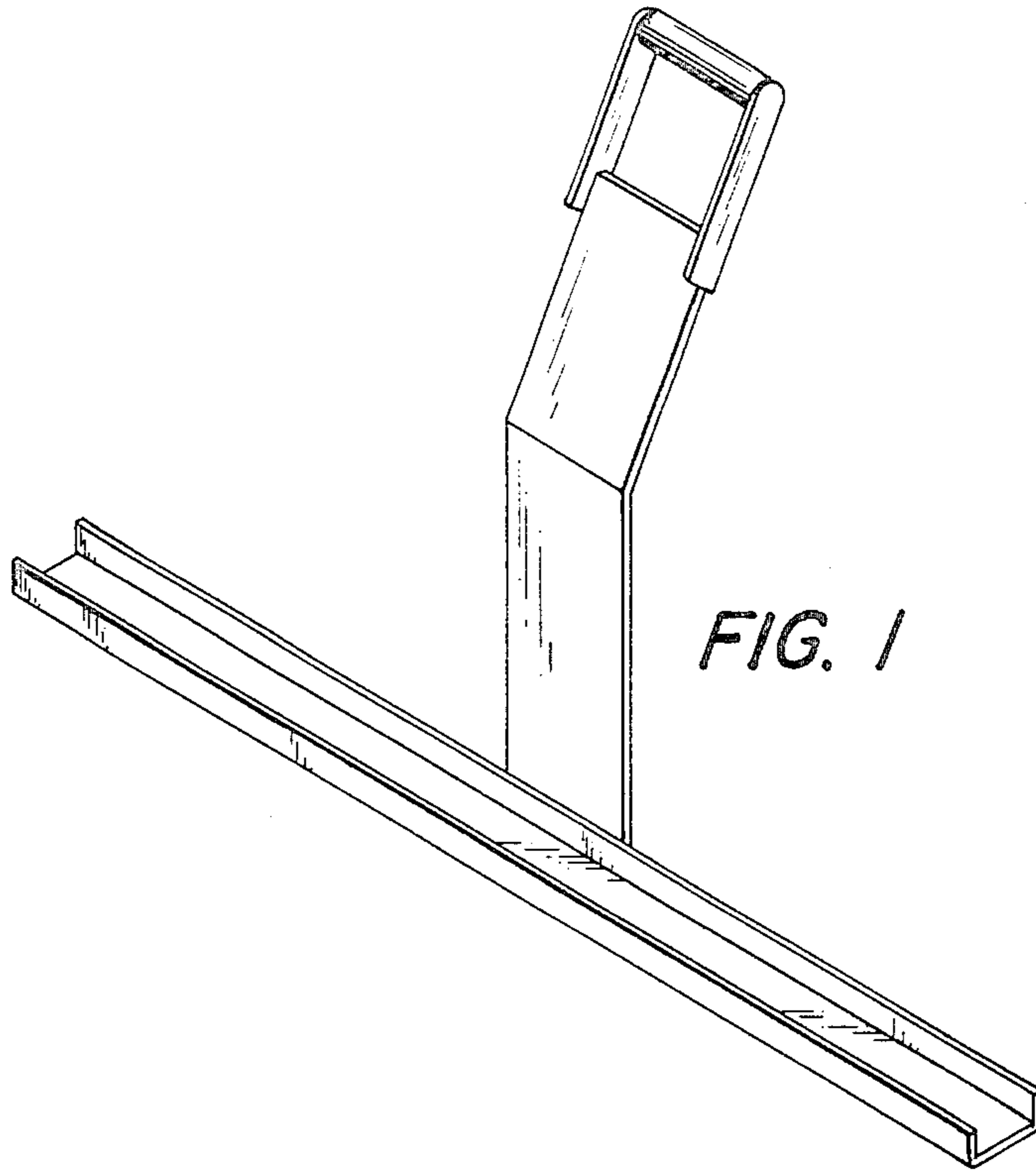


FIG. 1

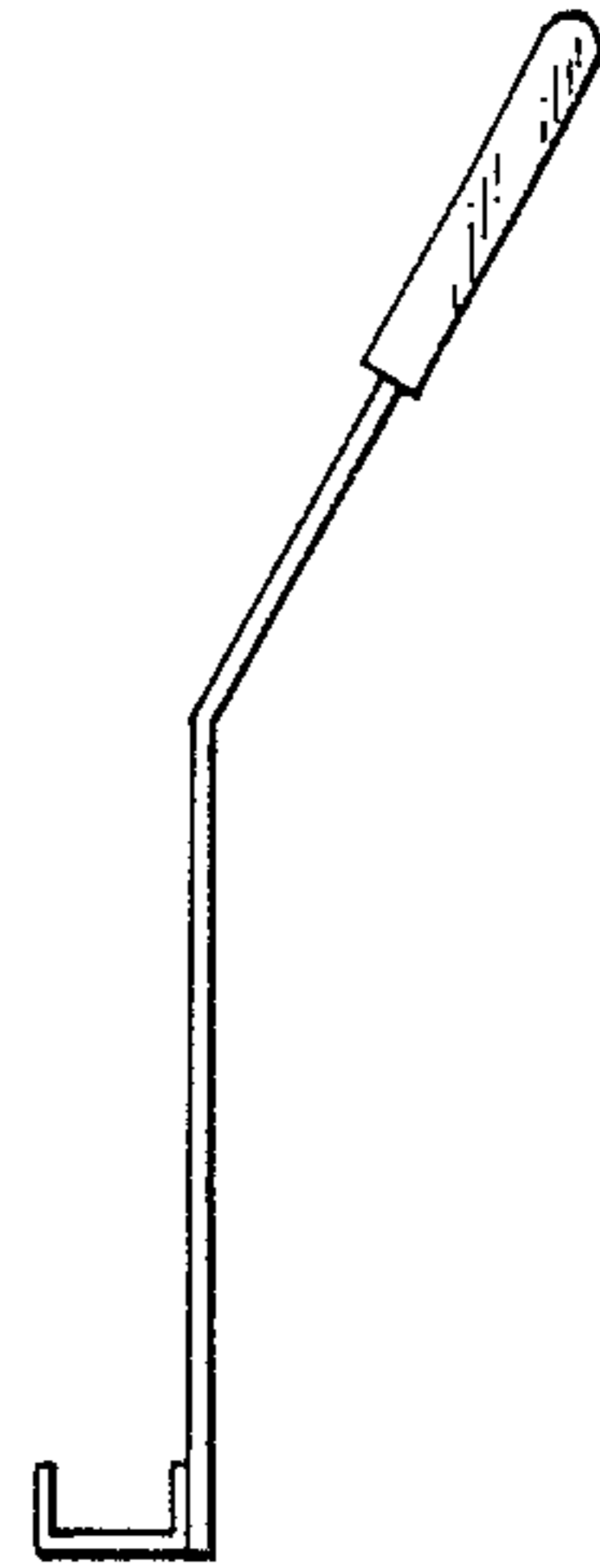


FIG. 2

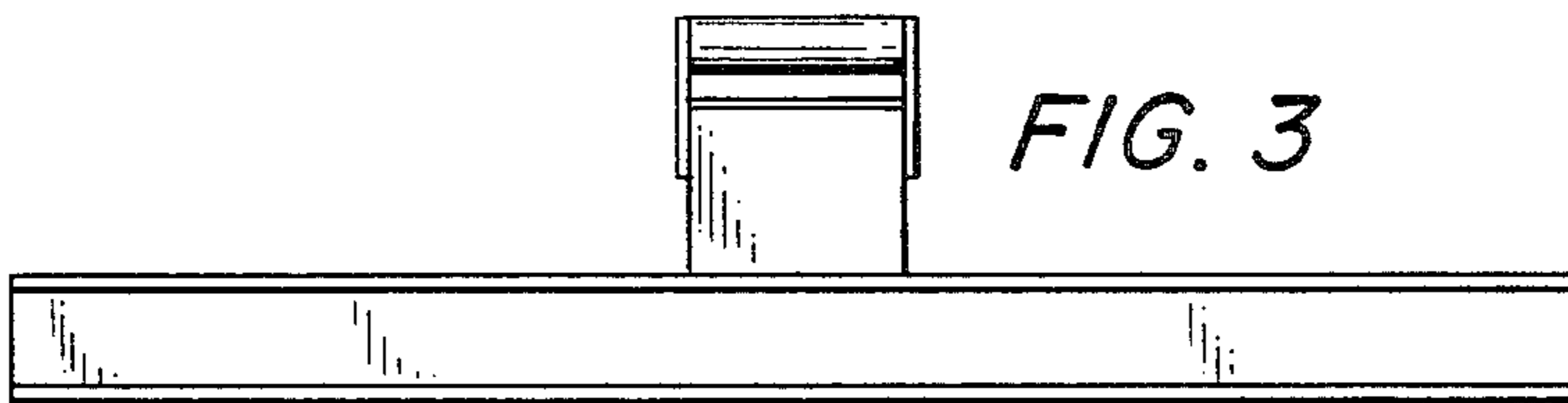


FIG. 3



FIG. 4

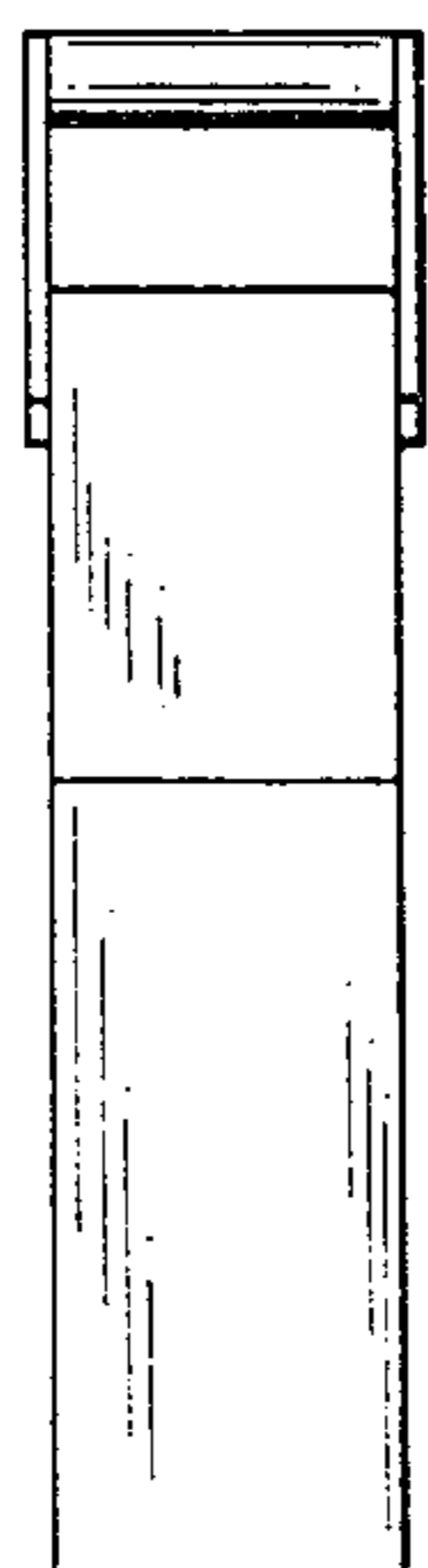


FIG. 5

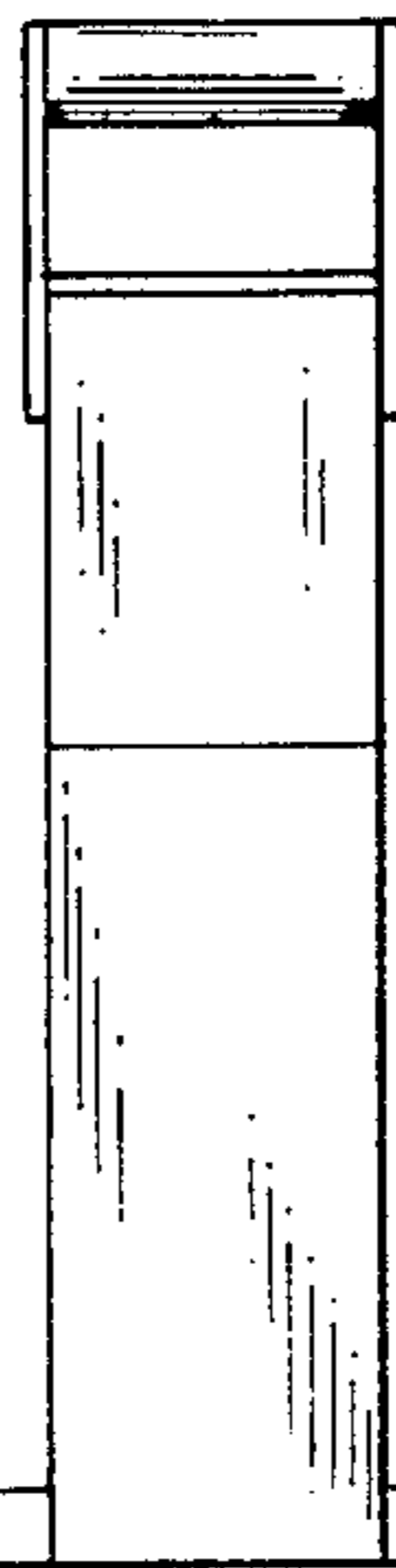


FIG. 6