

[54] GARDEN SHEAR

[75] Inventors: Christopher R. B. Harrison, High Wycombe, England; Alan K. Pittaway, Portcawl, Wales

[73] Assignee: Wilkinson Sword Limited, High Wycombe, England

[**] Term: 14 Years

[21] Appl. No.: 676,682

[22] Filed: Nov. 30, 1984

[30] Foreign Application Priority Data

Jun. 16, 1984 [GB] United Kingdom 1020343

[52] U.S. Cl. D8/5

[58] Field of Search D8/1, 4-5, D8/7-8; 56/241-242; 30/194, 208, 244, 248, 250-252, 257, 261

[56] References Cited

U.S. PATENT DOCUMENTS

- D. 140,809 4/1945 Caves D8/7
- D. 206,077 10/1966 Rogers D8/5
- D. 266,514 3/1973 Rogers D8/5
- 3,007,245 11/1961 Keiser, Jr. 30/248

- 3,046,722 7/1962 Bridegum 30/248 X
- 3,343,260 9/1967 Rogers 30/248

FOREIGN PATENT DOCUMENTS

- 692663 6/1953 United Kingdom 30/257
- 989289 4/1965 United Kingdom 30/248

OTHER PUBLICATIONS

Catalog Insert, Wilkinson Sword Long-Handled Shears, pp. 15-16.

Primary Examiner—Wallace R. Burke

Assistant Examiner—Brian N. Vinson

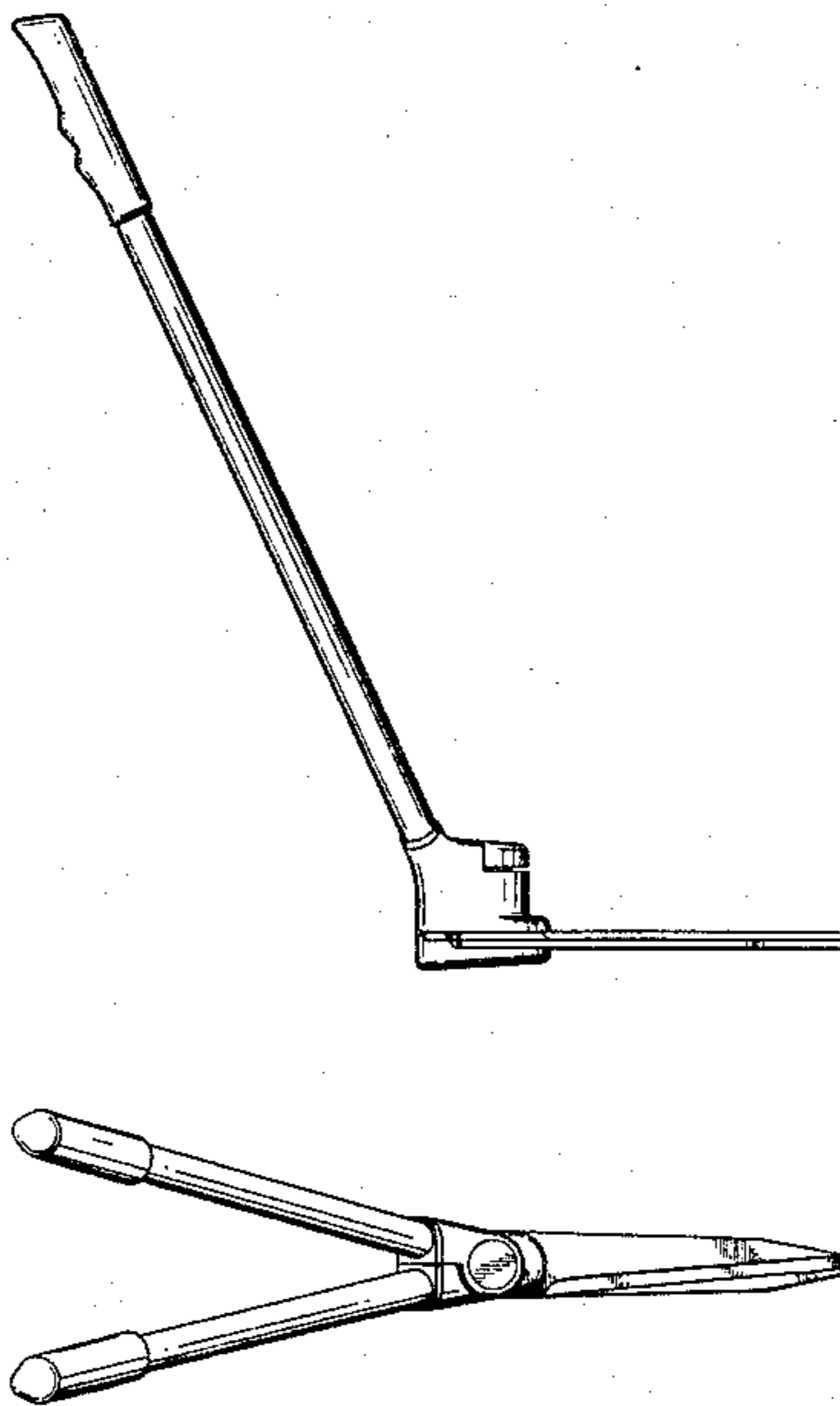
Attorney, Agent, or Firm—John K. Williamson; John L. LaPierre

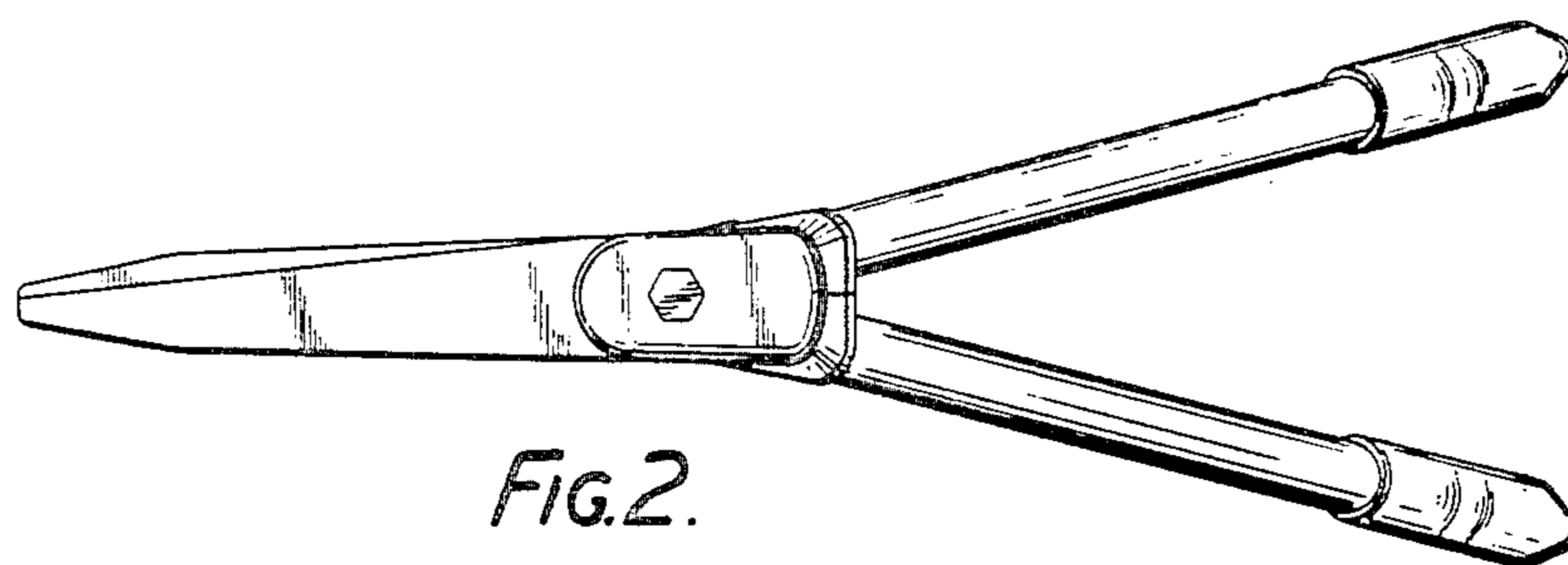
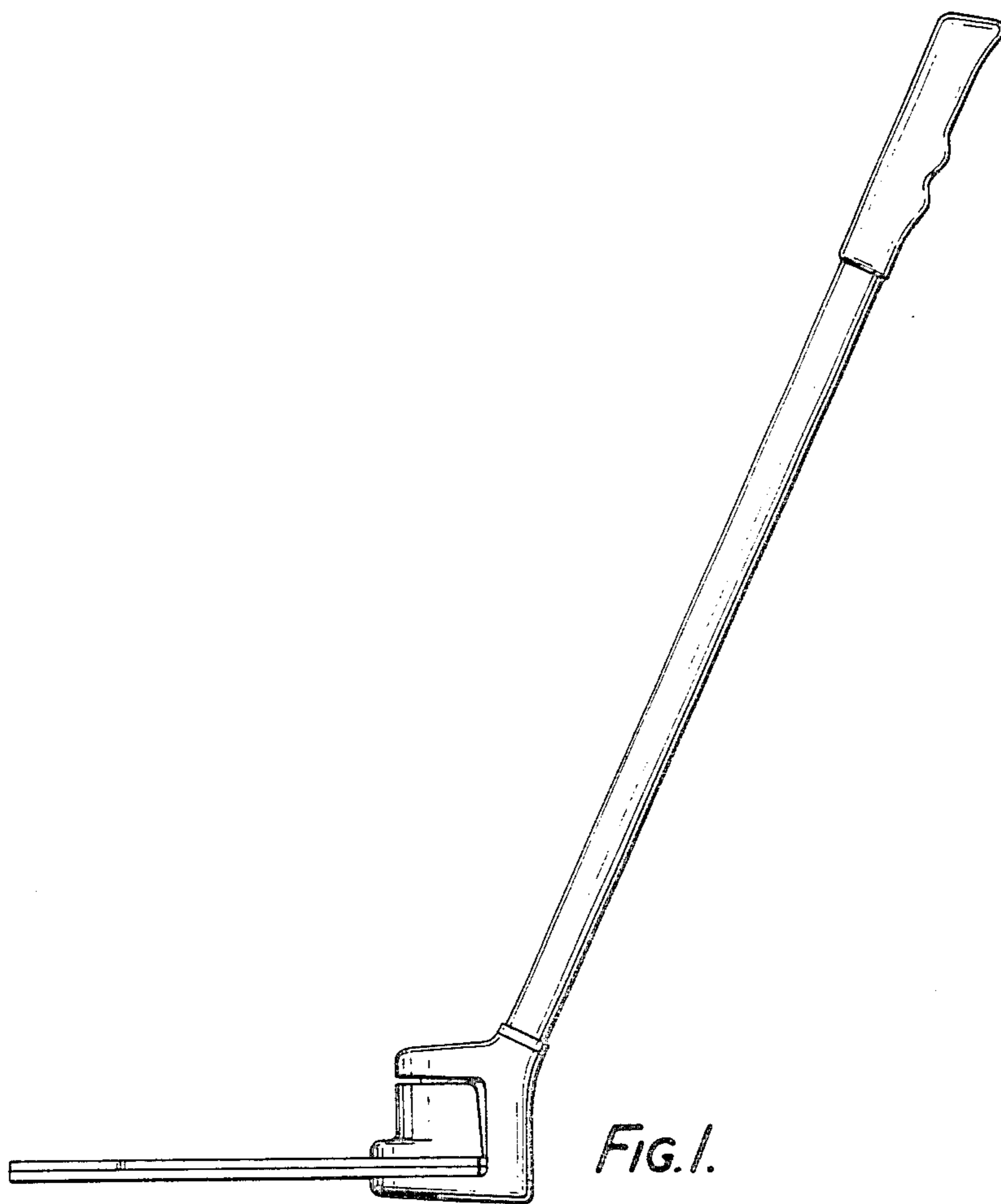
[57] CLAIM

The ornamental design for a garden shear, as shown.

DESCRIPTION

FIG. 1 is a right side elevational view of a garden shear showing our new design;
 FIG. 2 is a bottom plan view thereof;
 FIG. 3 is a left side elevational view thereof;
 FIG. 4 is a top plan view thereof;
 FIG. 5 is a front elevational view thereof; and
 FIG. 6 is a rear elevational view thereof.





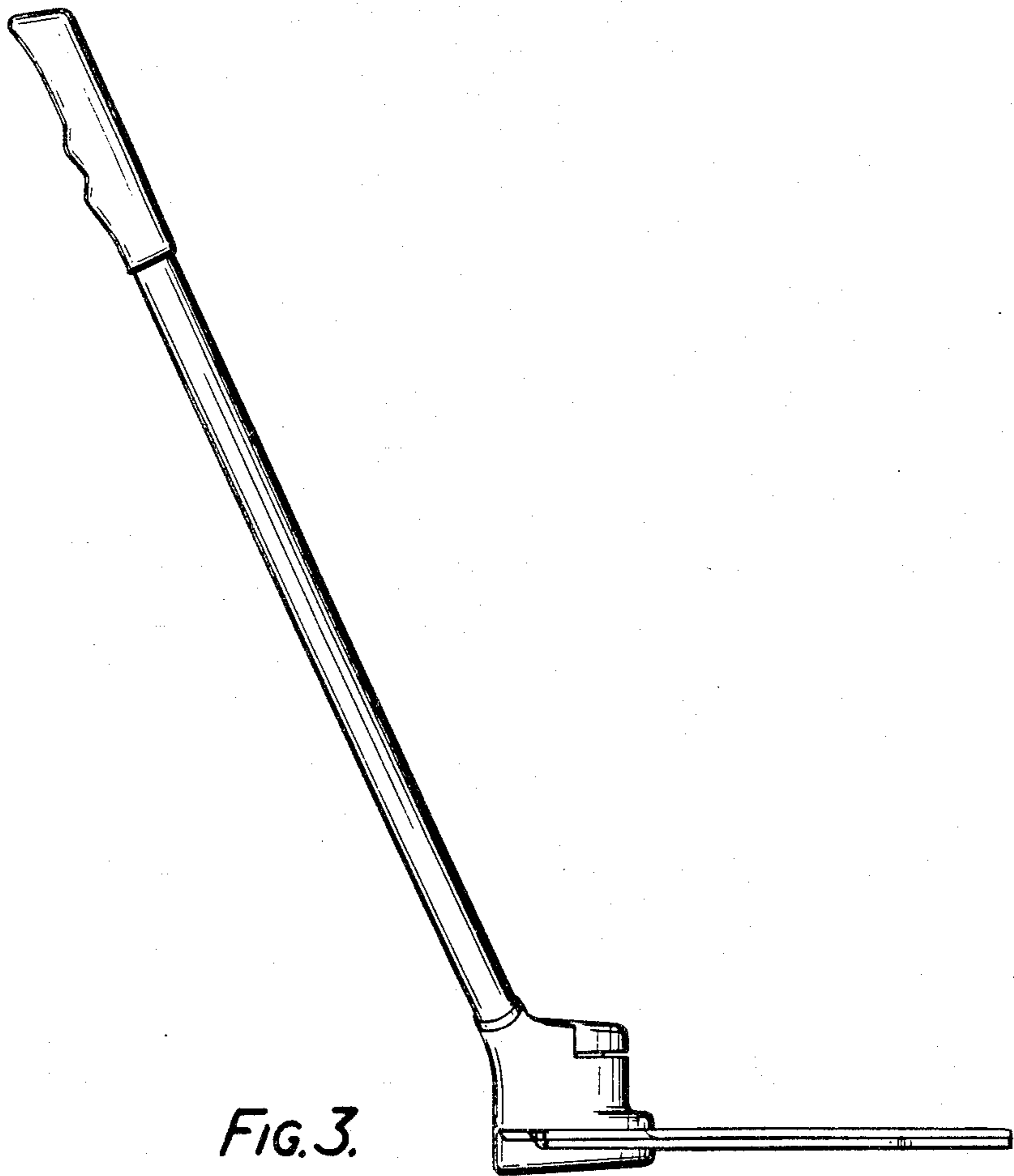


FIG. 3.

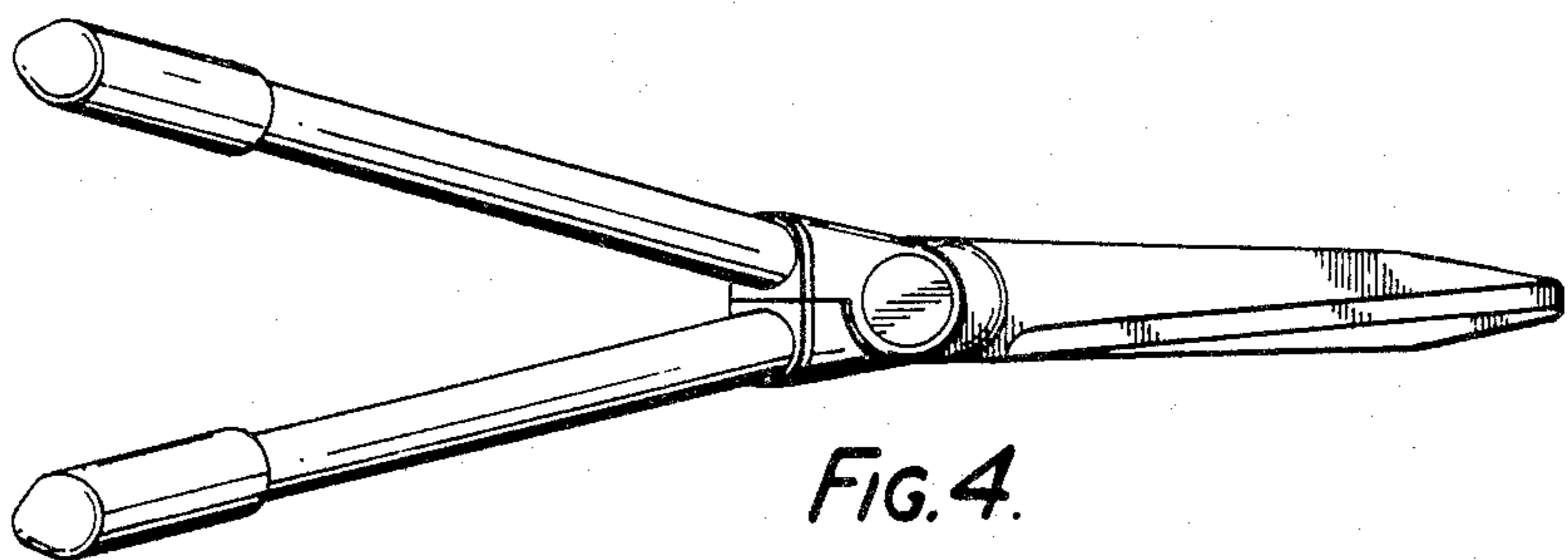


FIG. 4.

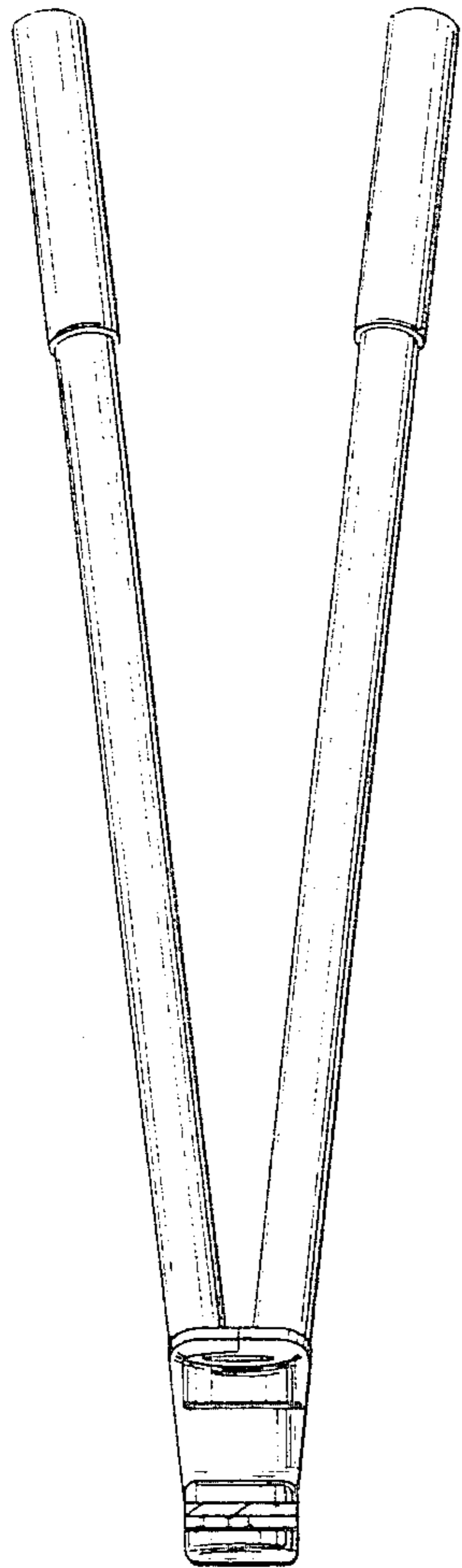


FIG. 5.

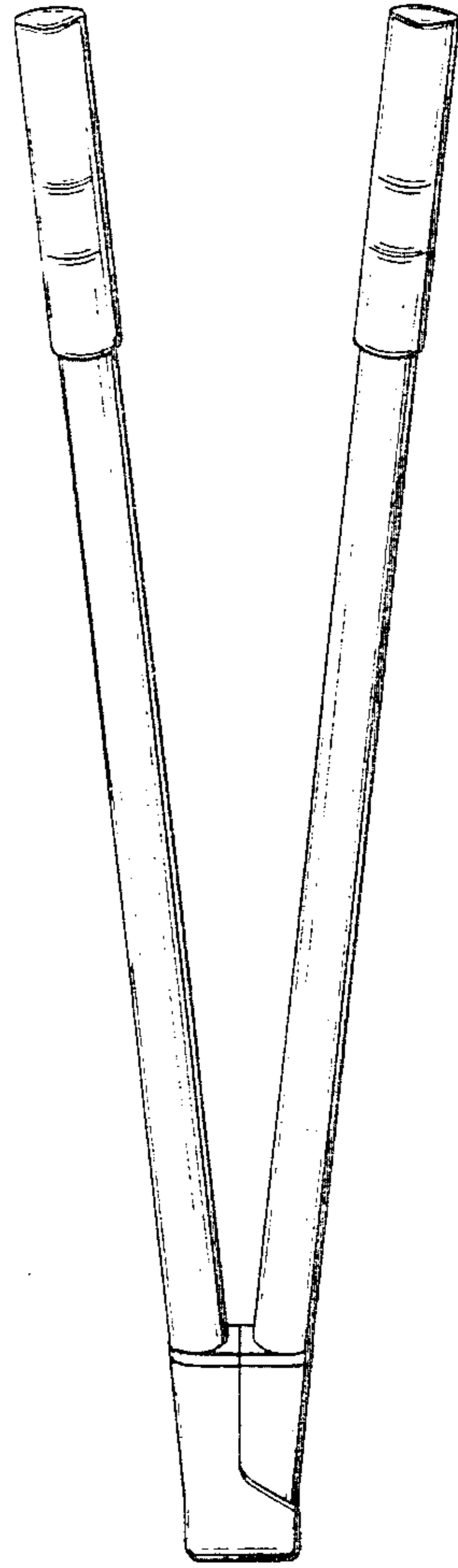


FIG. 6.