

[54] ELECTRIC OVEN

[75] Inventor: Jacques Mayeur, Seynod, France

[73] Assignee: Tefal S.A., Rumilly, France

[**] Term: 14 Years

[21] Appl. No.: 635,436

[22] Filed: Jul. 27, 1984

[30] Foreign Application Priority Data

Feb. 6, 1984 [FR] France 840488

[52] U.S. Cl. D7/348

[58] Field of Search D7/350, 339, 346-348, D7/402-403; 126/273 R, 275 R, 275 E; 219/391, 399-400, 402, 401, 386

[56] References Cited

U.S. PATENT DOCUMENTS

- D. 176,084 11/1955 Sado D7/350
- D. 241,602 9/1976 Hanson D7/350
- 2,898,437 8/1959 McFarland D7/350
- 4,065,658 12/1977 Keim 219/386
- 4,135,179 1/1979 Snyder D7/350

FOREIGN PATENT DOCUMENTS

175829 10/1982 Japan 219/386

OTHER PUBLICATIONS

Consumer Reports, Nov. 1979, p. 644, Convection Ovens.

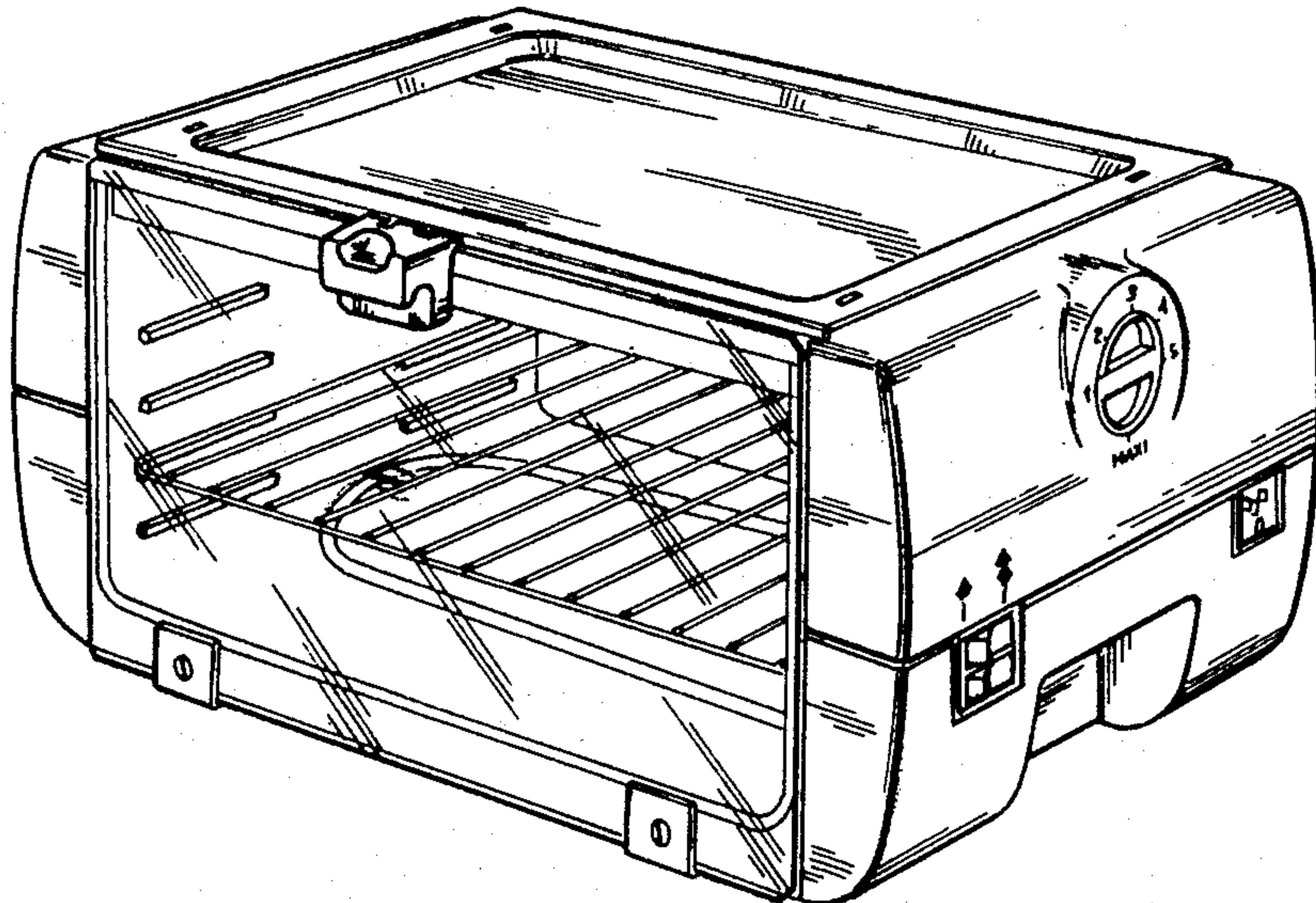
Primary Examiner—Wallace R. Burke
Assistant Examiner—Ruth E. Takemoto
Attorney, Agent, or Firm—Young & Thompson

[57] CLAIM

The ornamental design for an electric oven, as shown and described.

DESCRIPTION

FIG. 1 is a front elevational view thereof.
 FIG. 2 is a rear elevational view thereof.
 FIG. 3 is a right side elevational view thereof;
 FIG. 4 is a left side elevational view thereof;
 FIG. 5 is a top plan view thereof.
 FIG. 6 is a bottom plan view thereof.
 FIG. 7 is a top, front, and right side perspective view thereof; and
 FIG. 8 is a top, front and left side perspective view thereof with both doors open.



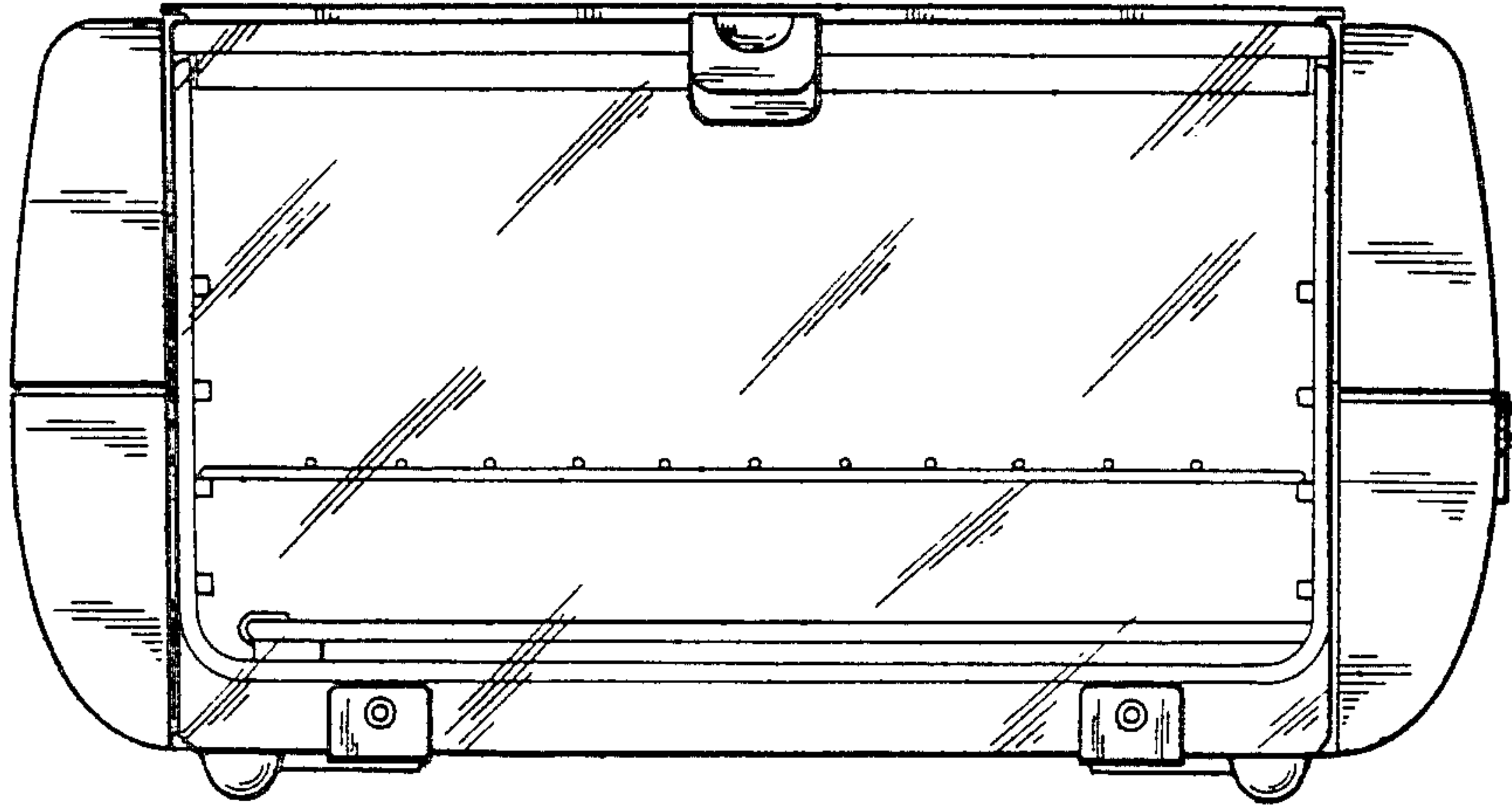


FIG. 1

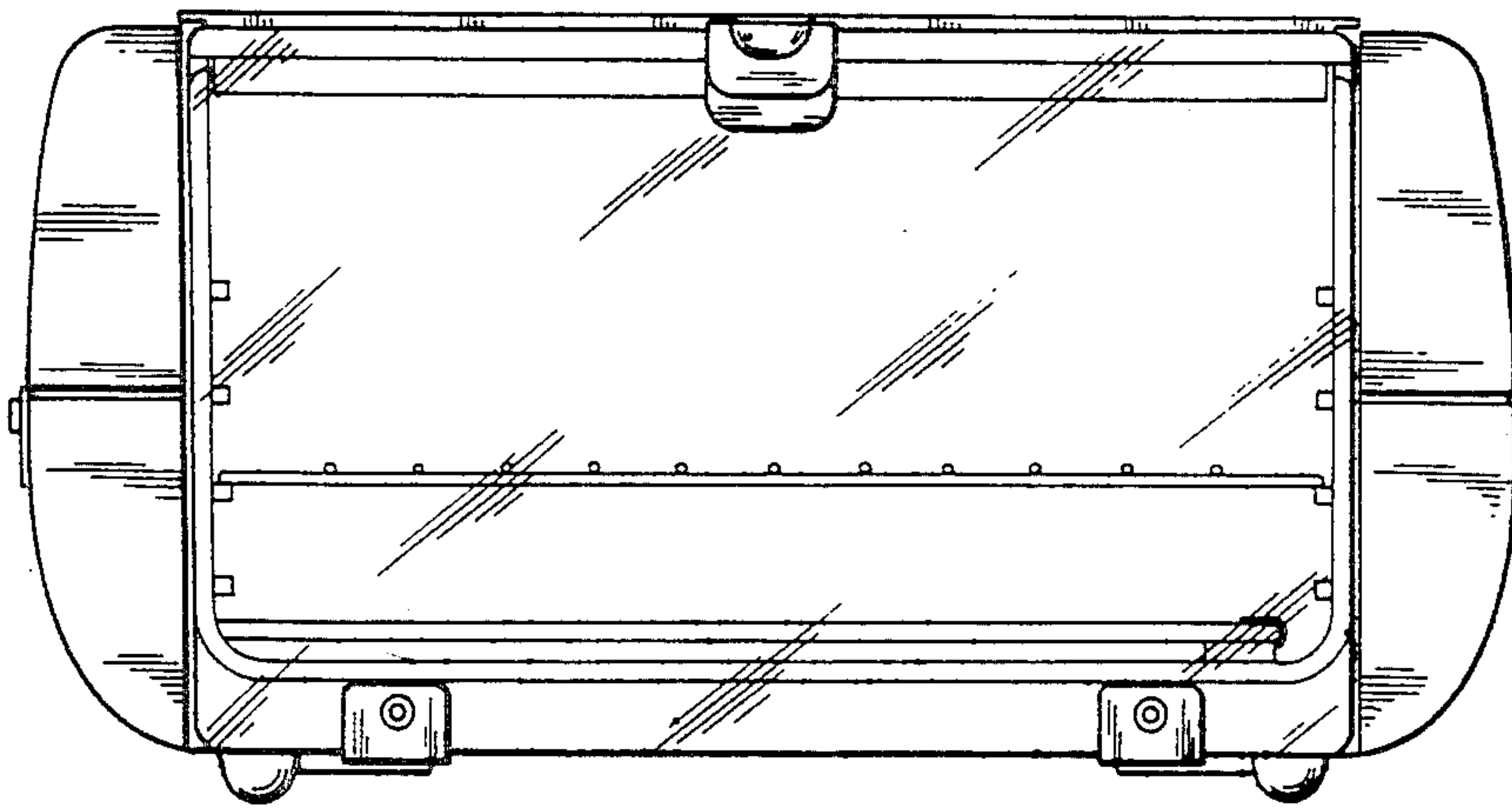


FIG. 2

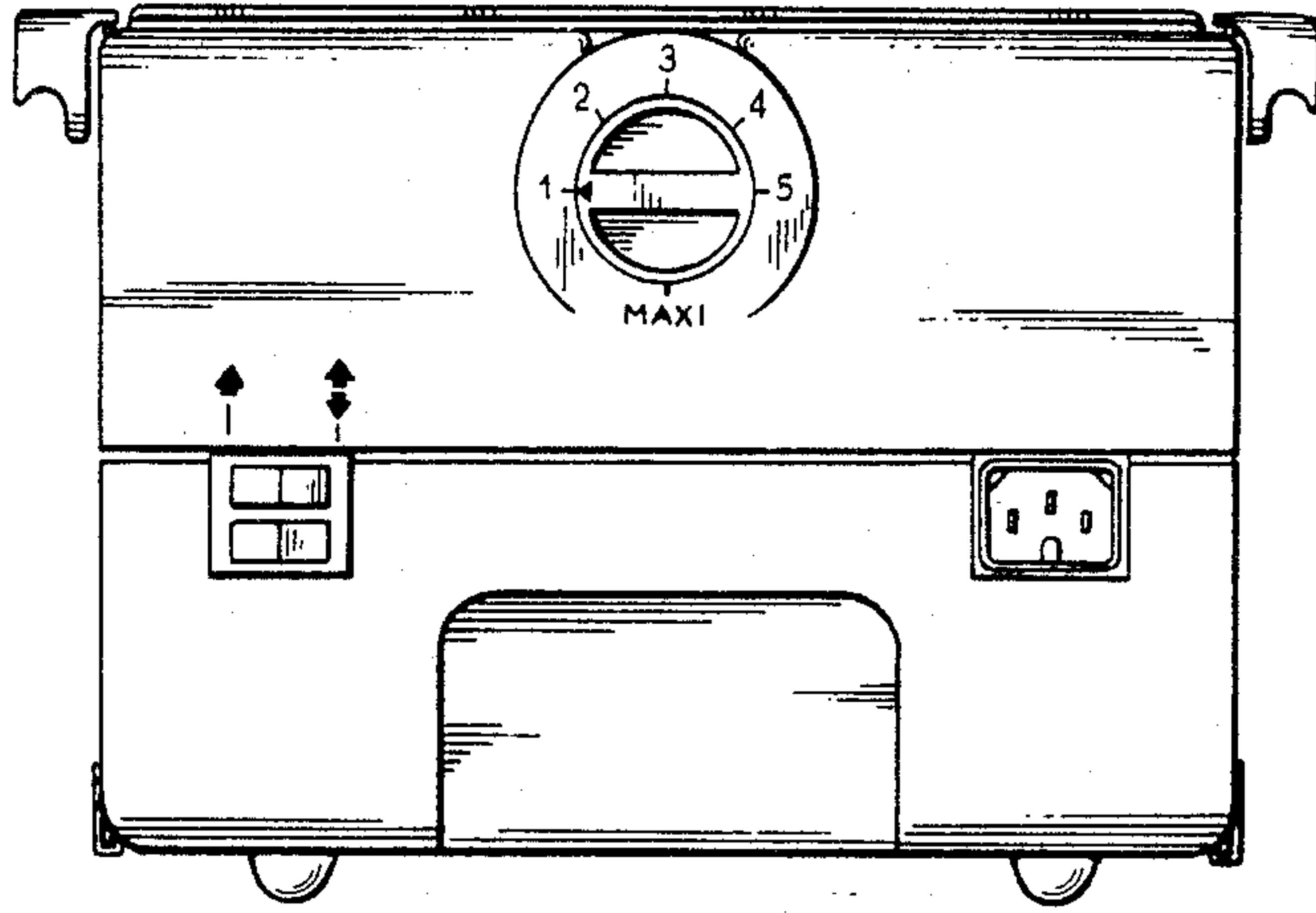


FIG. 3

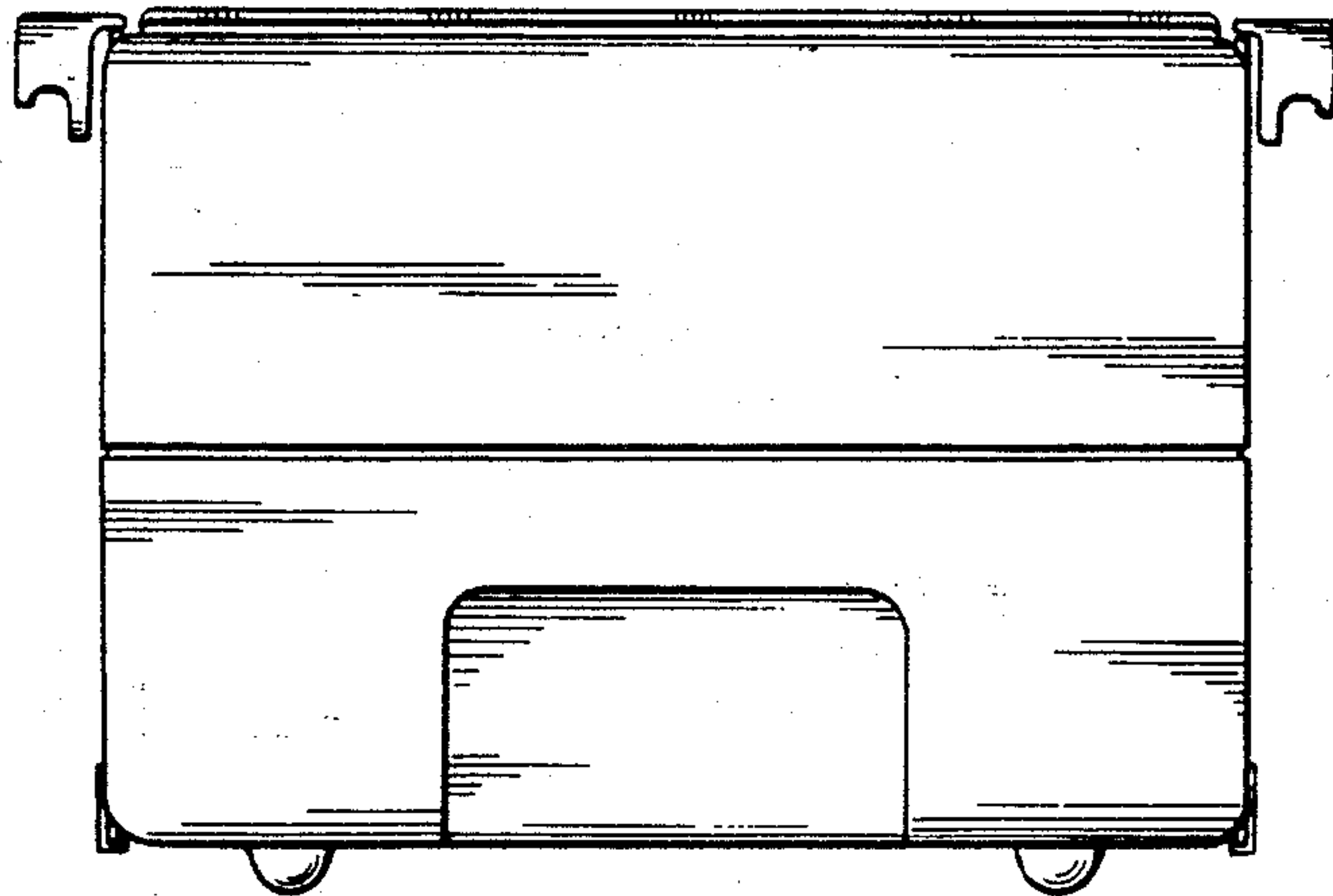


FIG. 4

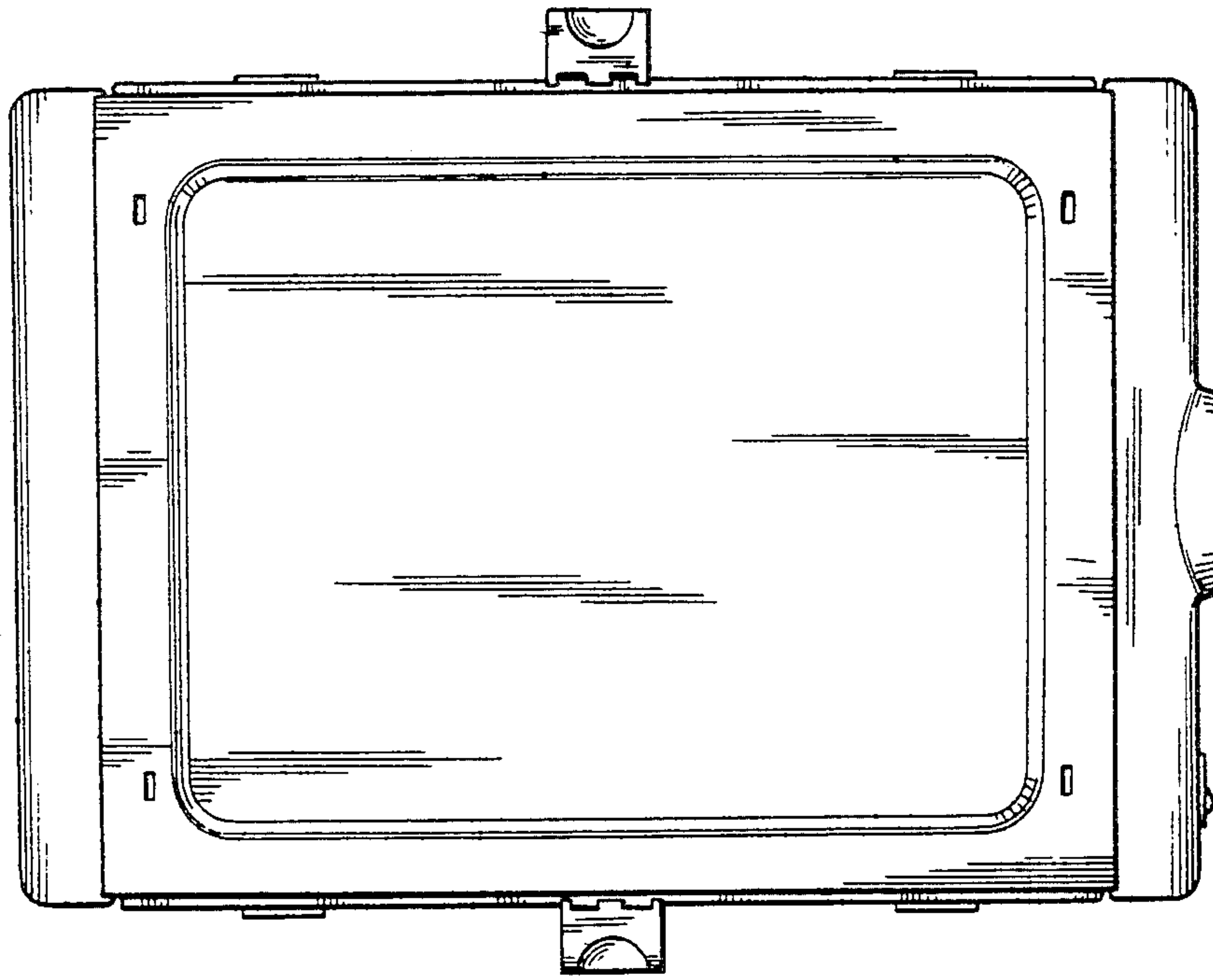


FIG. 5

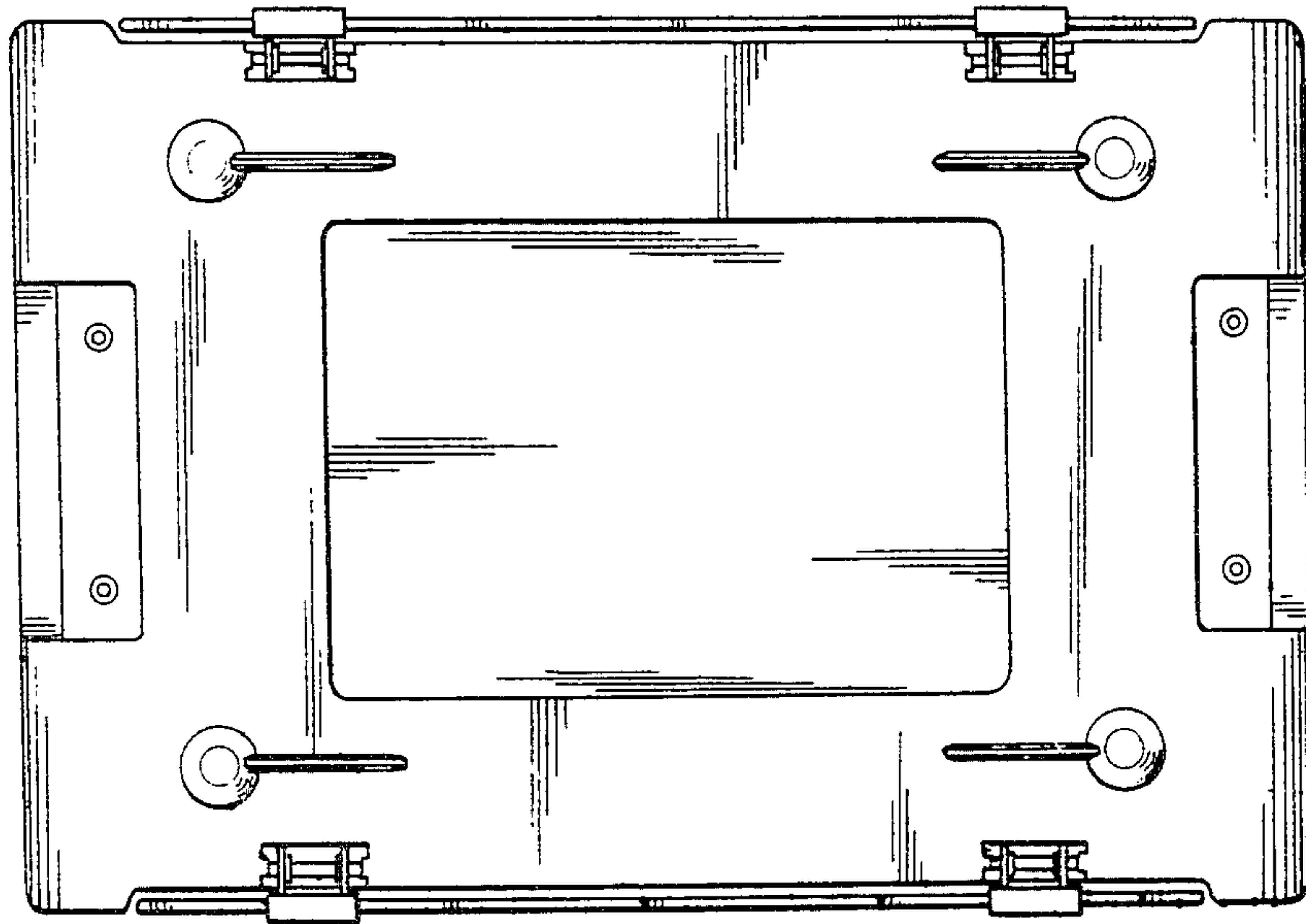


FIG. 6

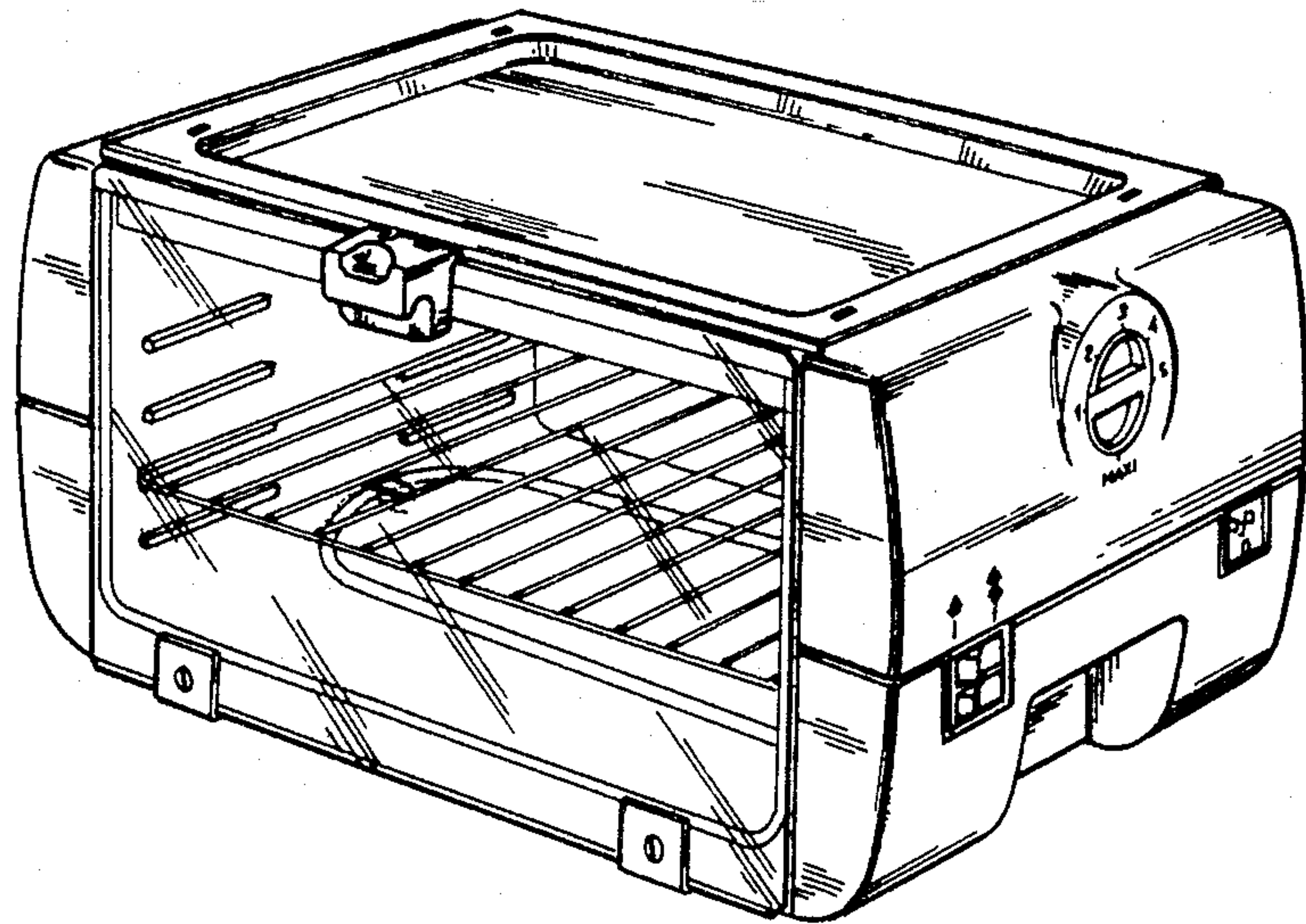


FIG. 7

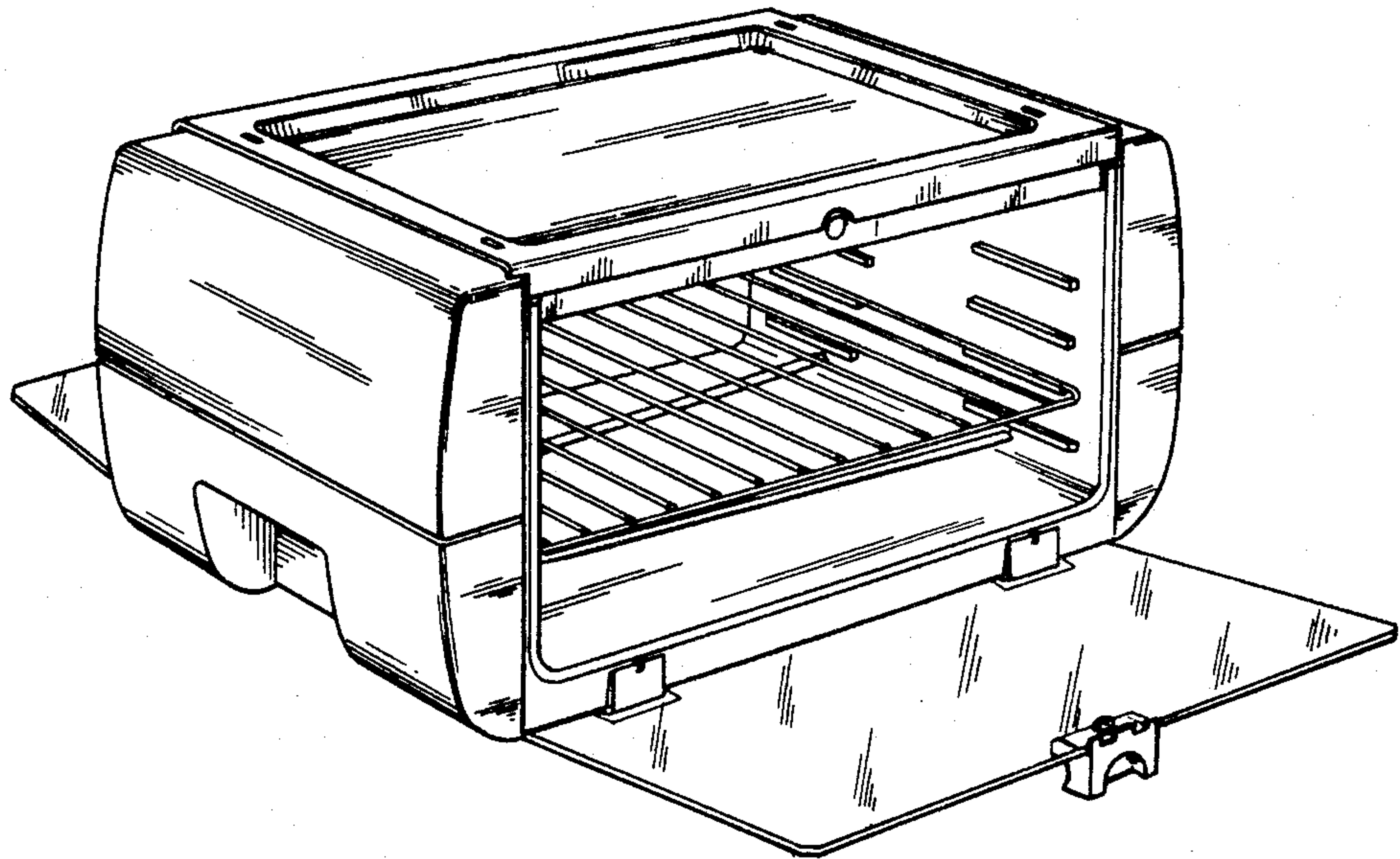


FIG. 8