

[54] FOOD SUPPORT

[76] Inventor: Gertrude R. Gould, 2334 Cherokee La., Winston-Salem, N.C. 27103

[**] Term: 14 Years

[21] Appl. No.: 595,942

[22] Filed: Apr. 2, 1984

[52] U.S. Cl. D7/76

[58] Field of Search D7/76, 72, 357, 359, D7/409; D9/456; 211/13; 99/426; 220/23.8

[56] References Cited

U.S. PATENT DOCUMENTS

199,595	1/1978	Stroub .	
D. 275,256	8/1984	Gilliam	D7/76
D. 282,338	1/1986	Putt	D7/76
833,529	10/1906	Jones .	
1,568,742	1/1926	Jung .	
1,615,122	1/1927	Gordon .	
1,715,103	5/1929	Simmons .	
2,647,454	8/1953	Shelley .	
2,741,901	4/1956	Silos .	
2,957,973	10/1960	Torrez .	
3,363,544	1/1968	Eriksen .	
3,511,172	5/1970	Jones .	
3,705,042	12/1972	Muse .	
3,782,582	1/1974	Lybbert et al. .	

3,817,163	6/1974	Kizziar et al. .
4,004,501	1/1977	Guerrero .
4,018,905	4/1977	Adamek et al. .
4,126,261	11/1978	Cook .
4,299,850	11/1981	Wallen et al. .
4,381,837	5/1983	Cortopassi .

FOREIGN PATENT DOCUMENTS

9026 4/1906 United Kingdom .

Primary Examiner—Bernard Ansher

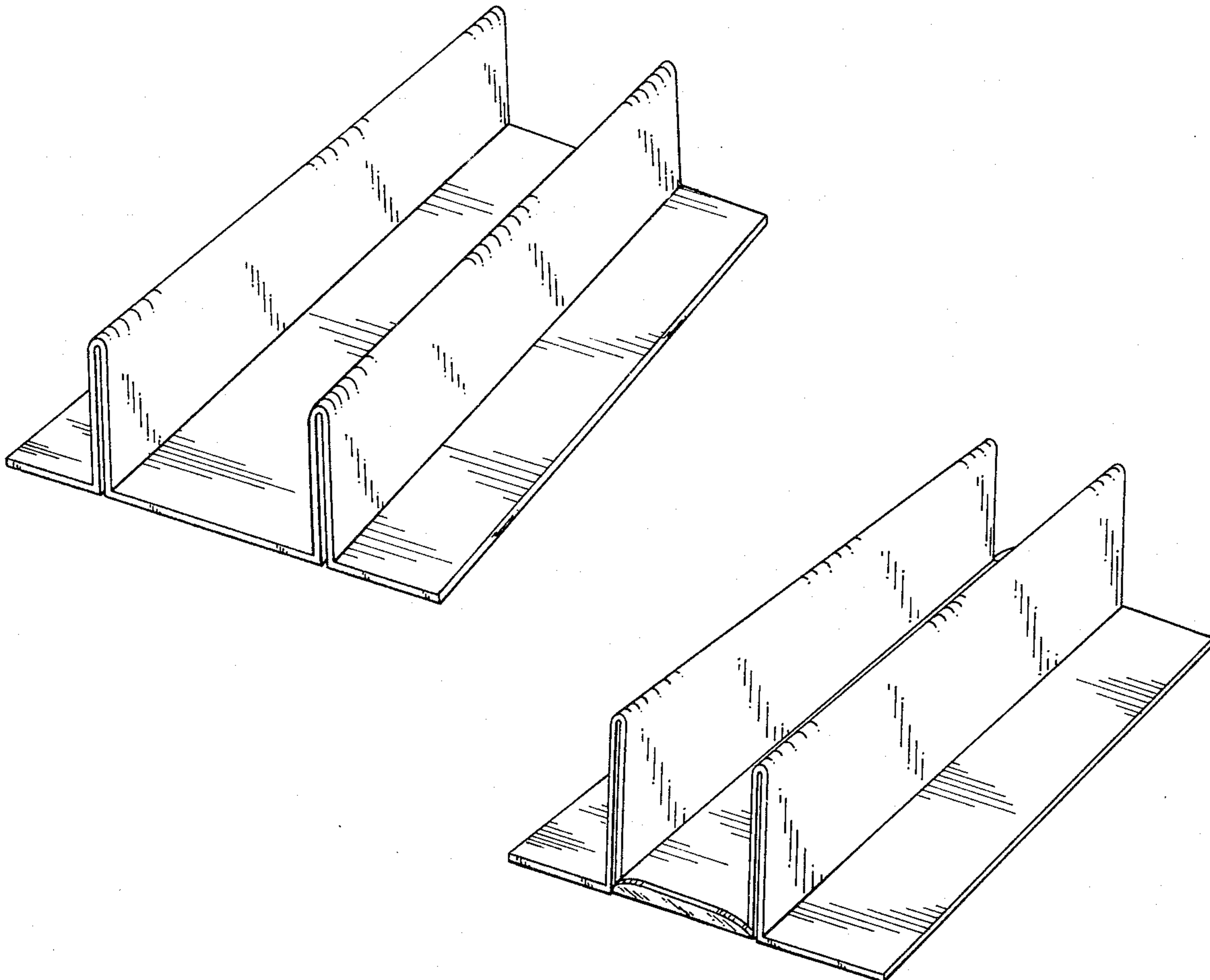
Assistant Examiner—Terry Pfeffer

[57] CLAIM

The ornamental design for a food support, as shown and described.

DESCRIPTION

FIG. 1 is a top, front, right side perspective view of a food support showing my new design;
 FIG. 2 is a rear elevational view thereof;
 FIG. 3 is a top plan view thereof;
 FIG. 4 is a bottom plan view thereof;
 FIG. 5 is a left side elevational view thereof;
 FIG. 6 is a top, front, right side perspective view of a second embodiment of that shown in FIG. 1;
 FIG. 7 is a top plan view thereof;
 FIG. 8 is a bottom plan view thereof;
 FIG. 9 is a left side elevational view thereof; and
 FIG. 10 is a rear elevational view thereof.



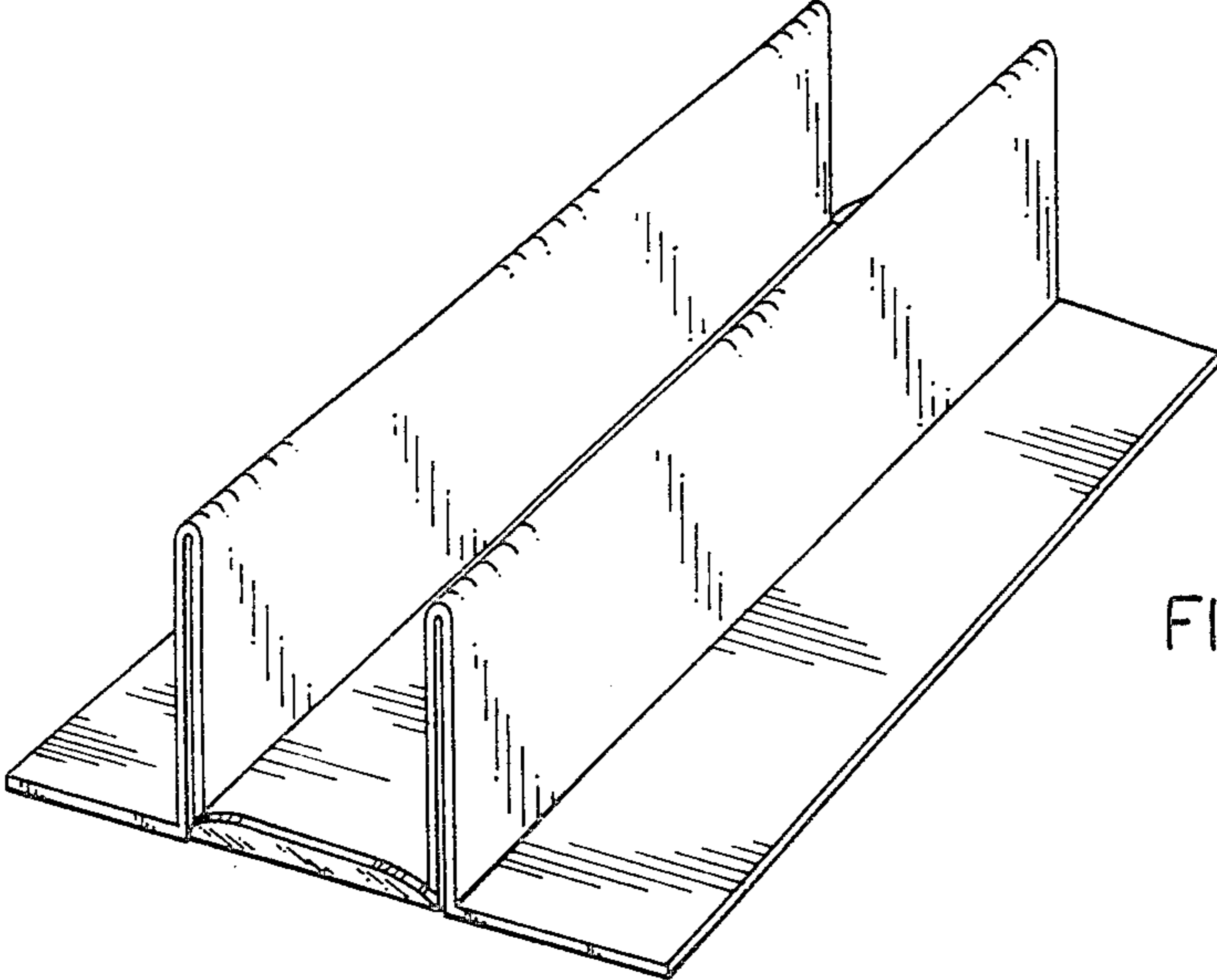


FIG. 1

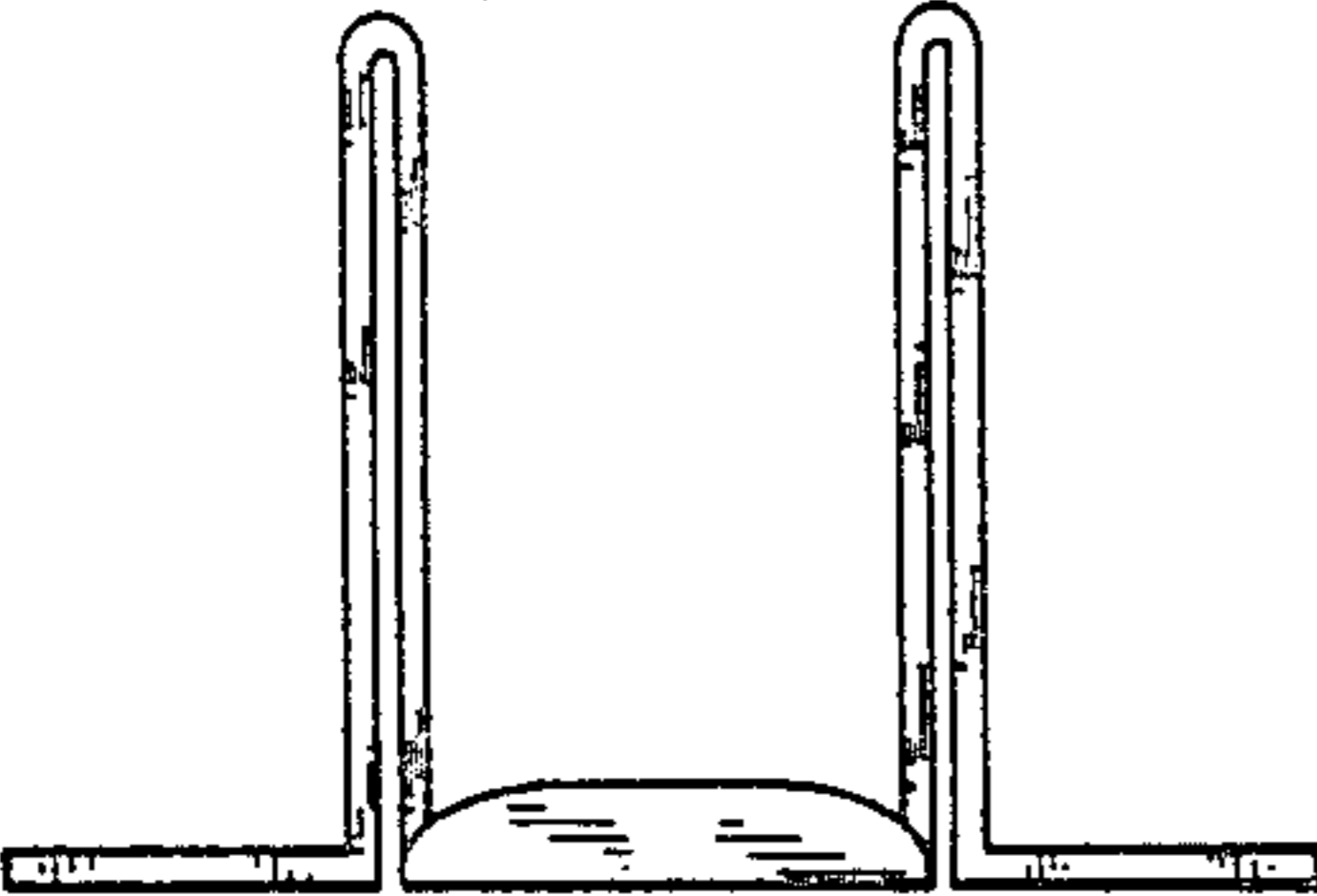


FIG. 2

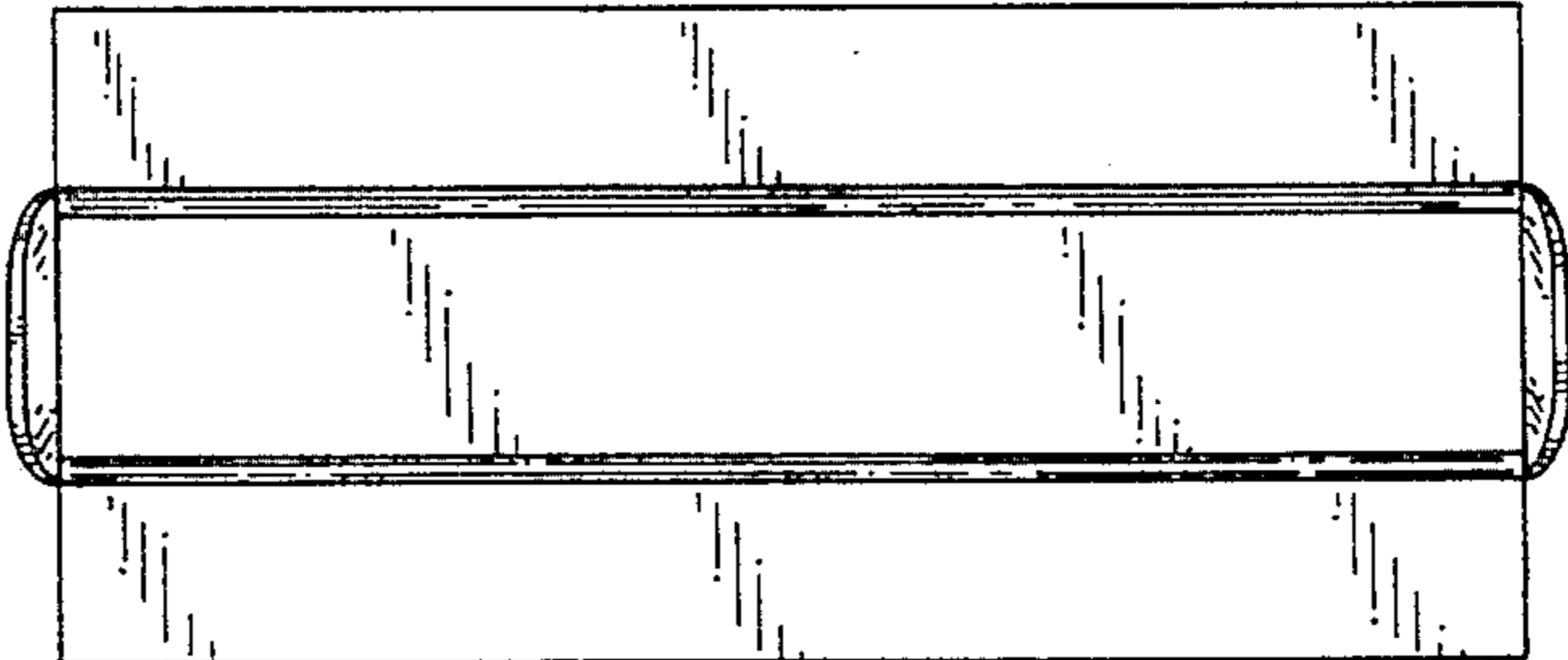


FIG. 3

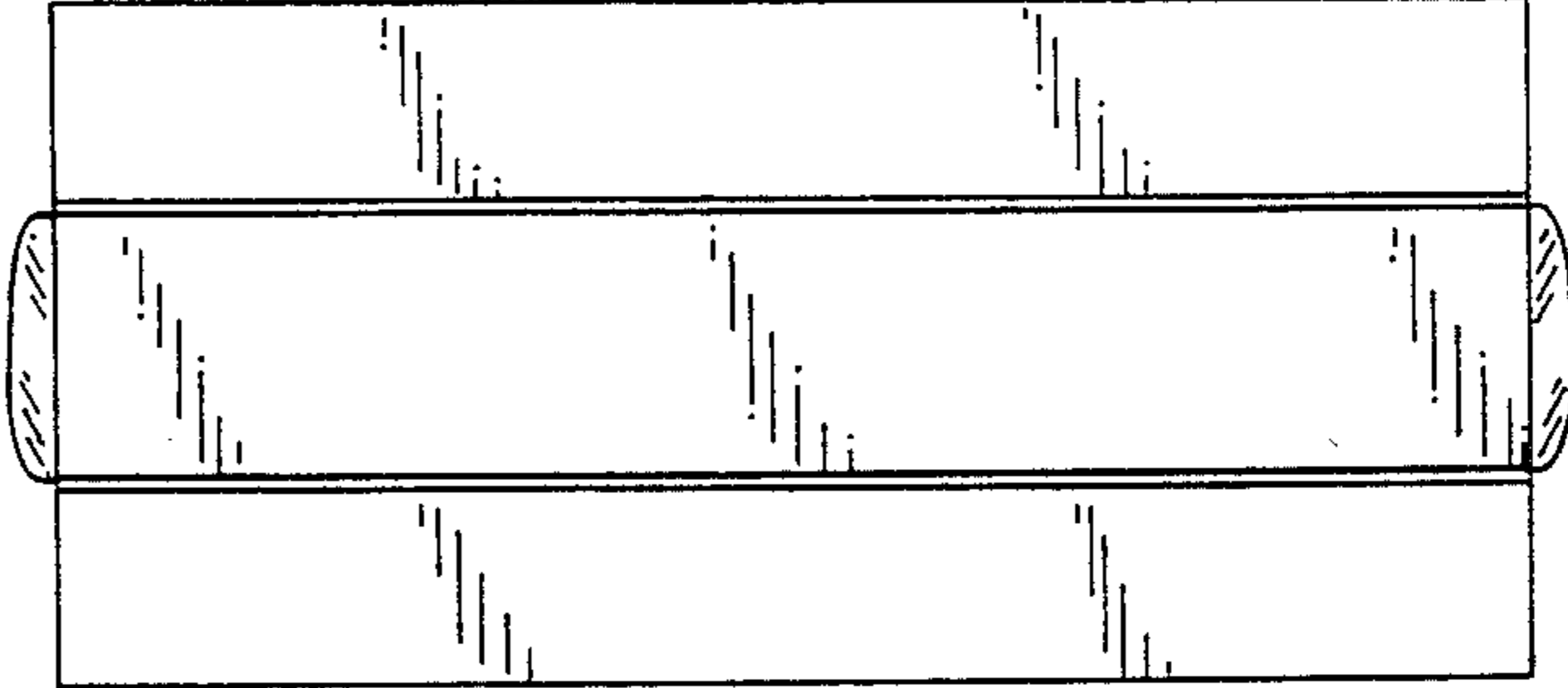


FIG. 4

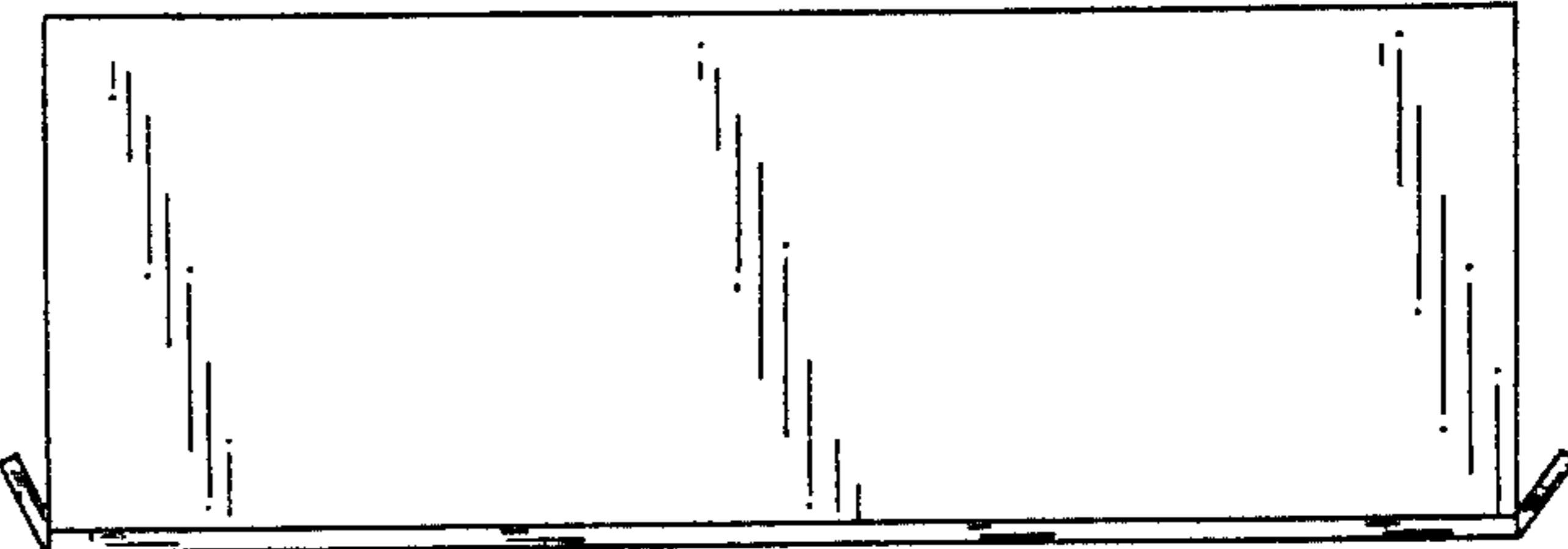


FIG. 5

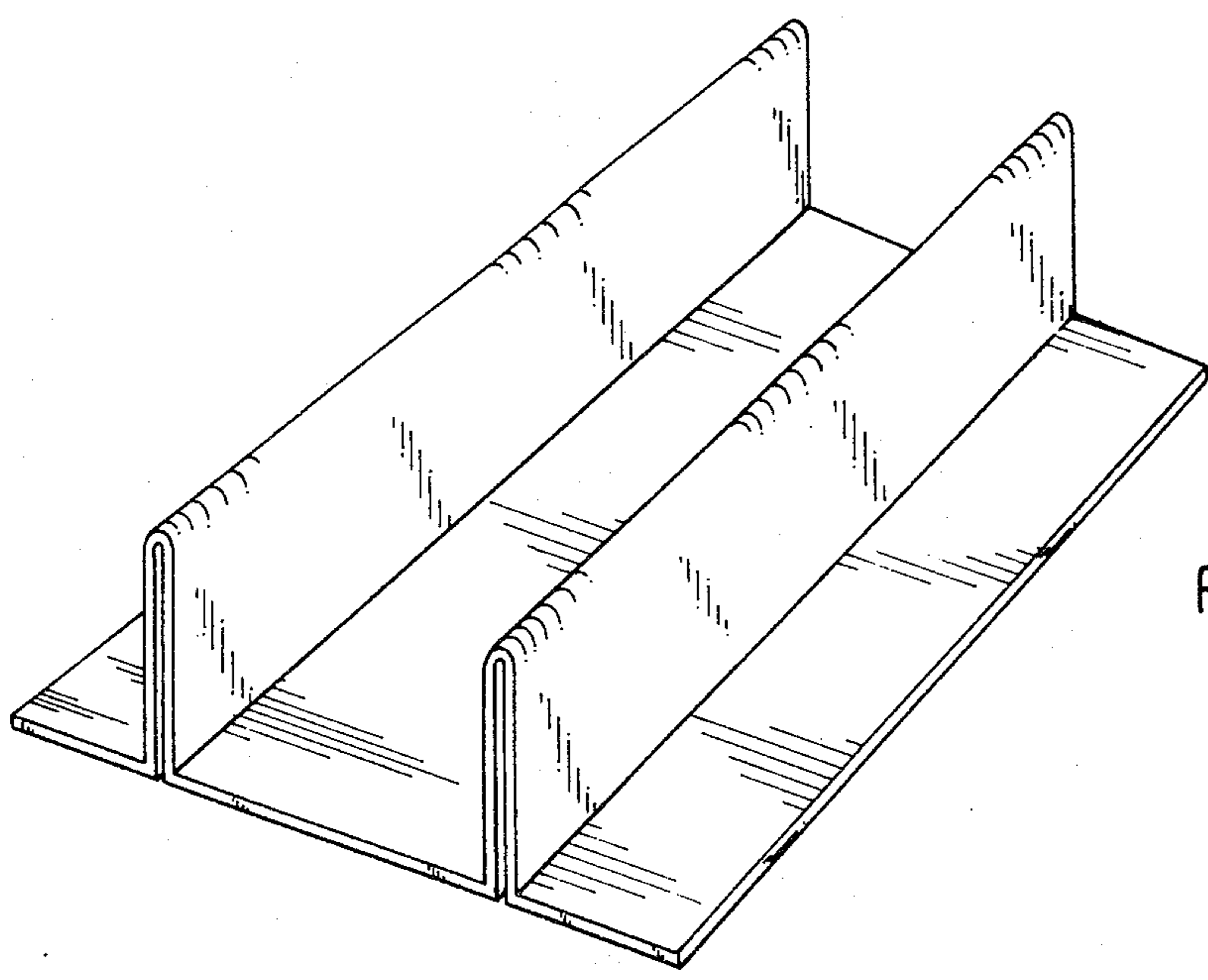


FIG. 6

FIG. 7

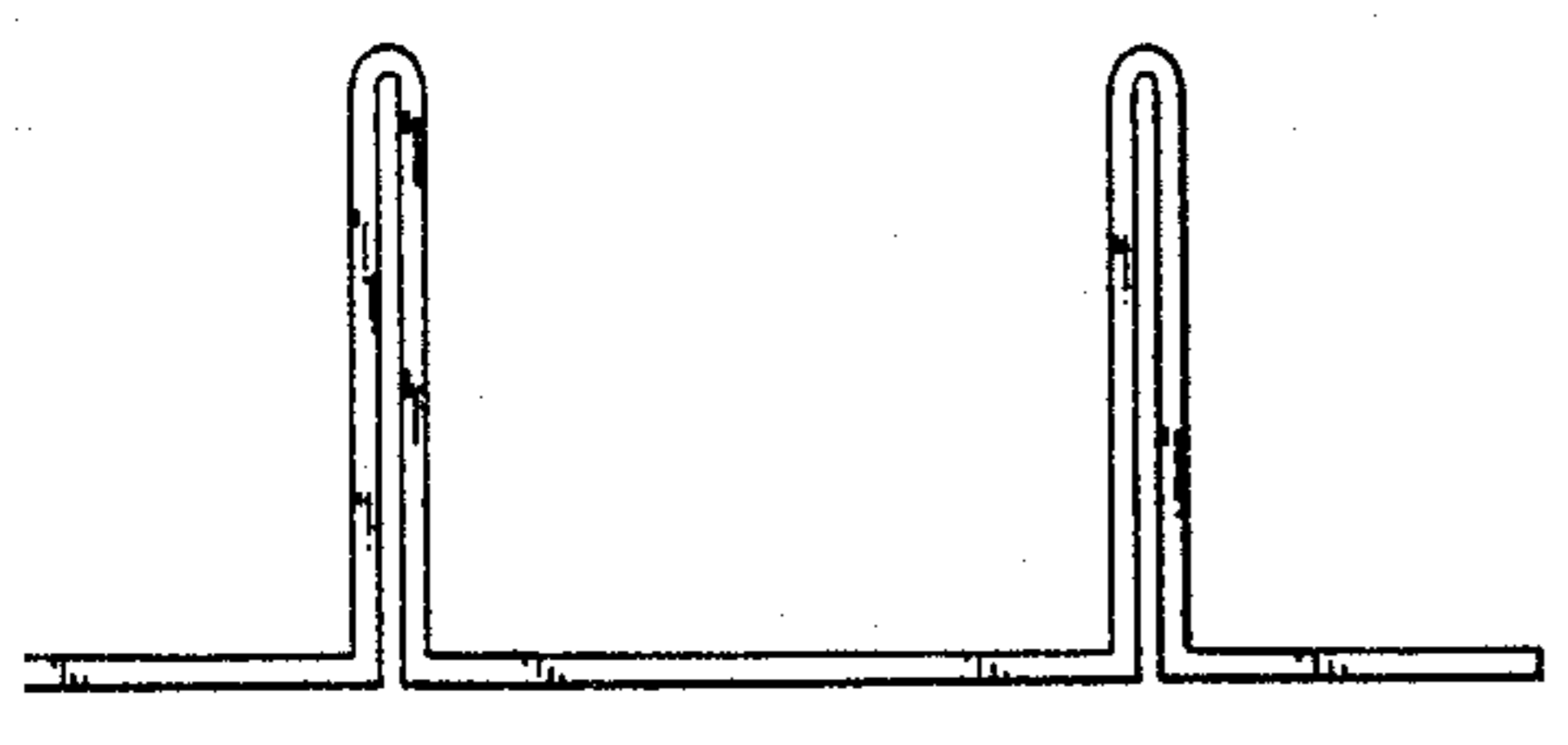


FIG. 10

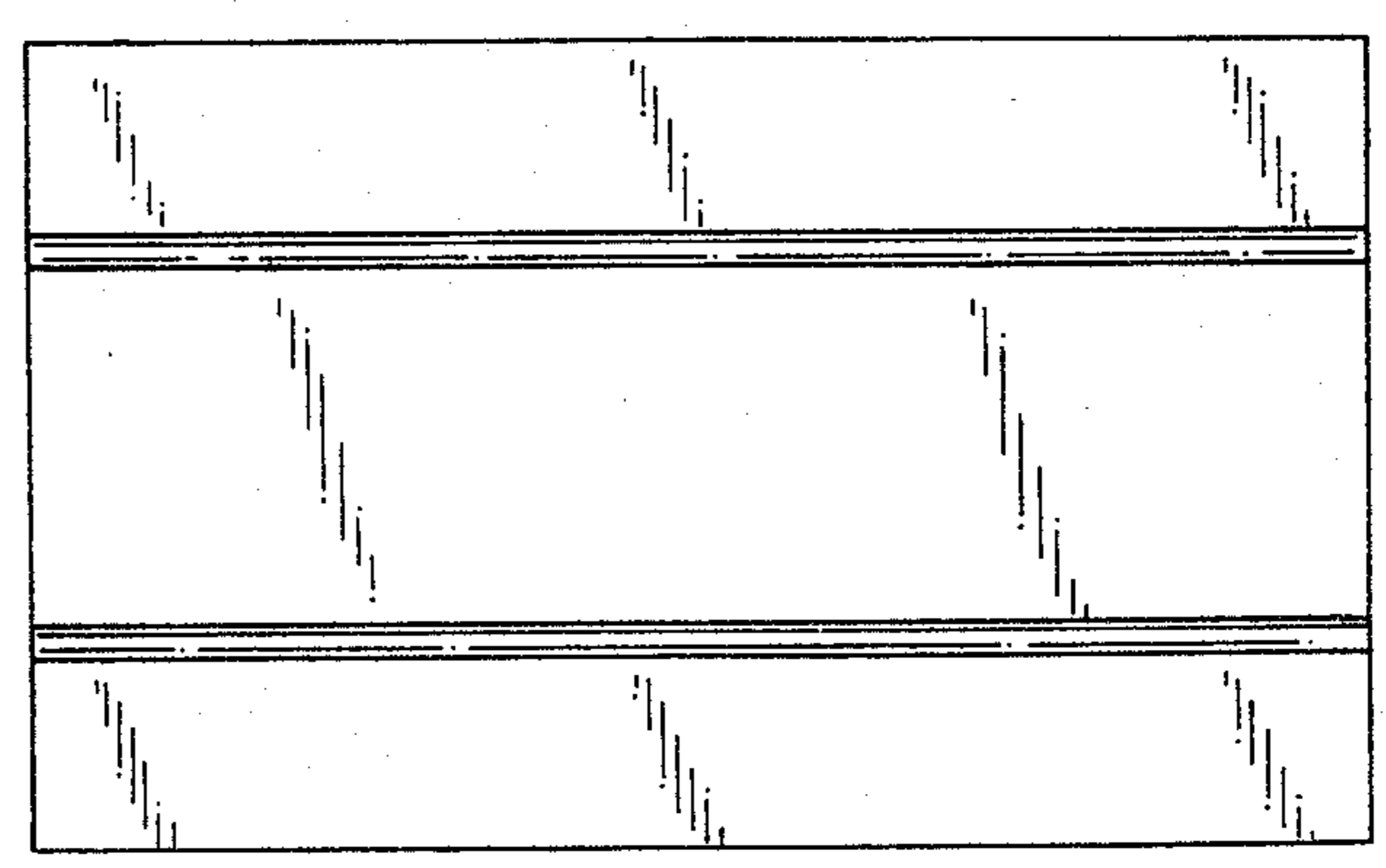


FIG. 8

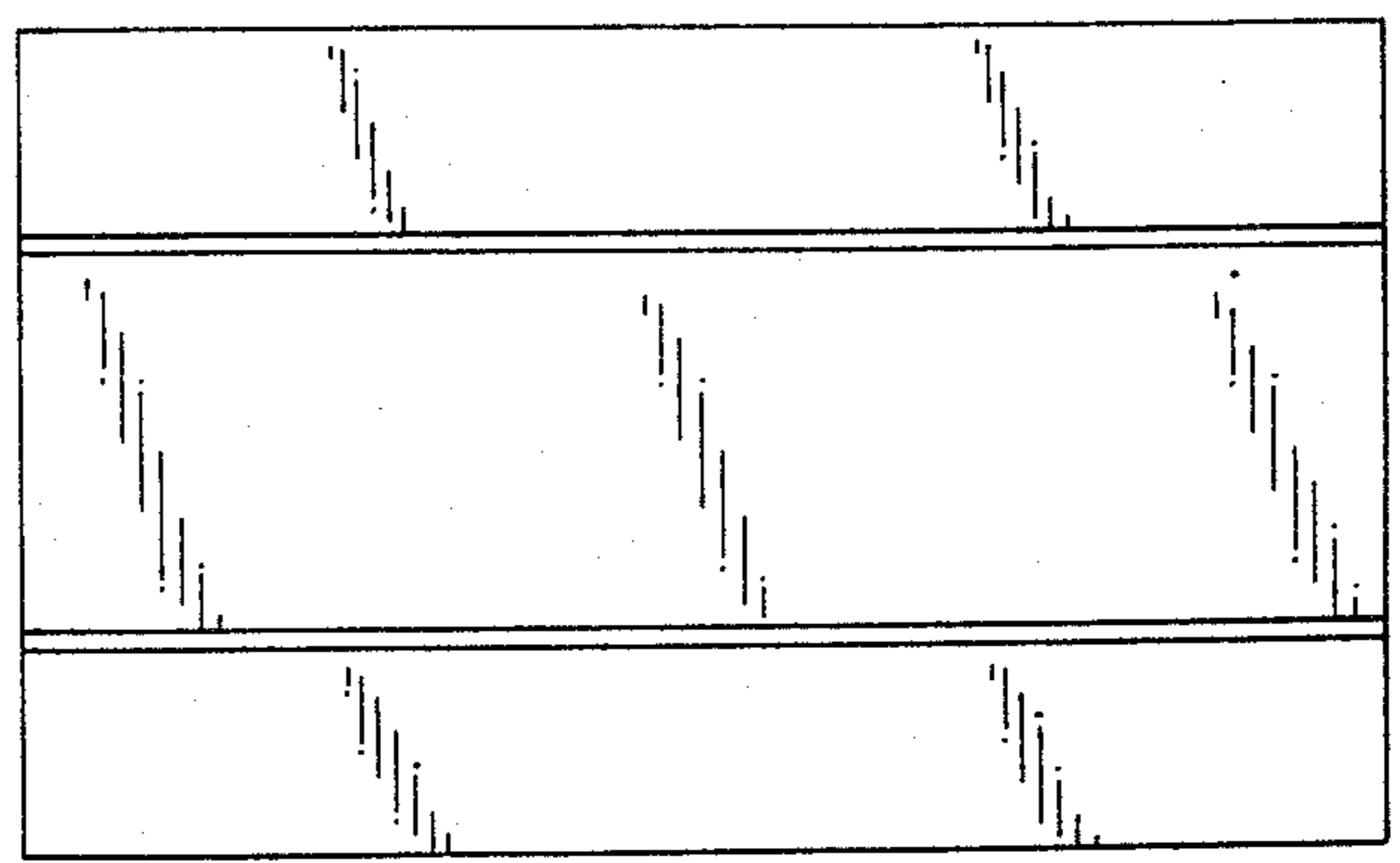


FIG. 9

