

[54] **CHAIR**

[75] **Inventor: Just B. Meyer, Rhenen, Netherlands**

[73] **Assignee: Kembo B.V., Veenendaal, Netherlands**

[**] **Term: 14 Years**

[21] **Appl. No.: 588,978**

[22] **Filed: Mar. 13, 1984**

[52] **U.S. Cl. D6/375; D6/334**

[58] **Field of Search D6/334, 375, 379, 380**

[56] **References Cited**

U.S. PATENT DOCUMENTS

- D. 234,556 3/1975 Havner D6/375
- D. 264,779 6/1982 Wenger et al. D6/380

OTHER PUBLICATIONS

Interiors, May 1973, p. 148, chair, top left.

Primary Examiner—Bruce W. Dunkins

Attorney, Agent, or Firm—Edmund M. Jaskiewicz

[57] **CLAIM**

The ornamental design for a chair, as shown and described.

DESCRIPTION

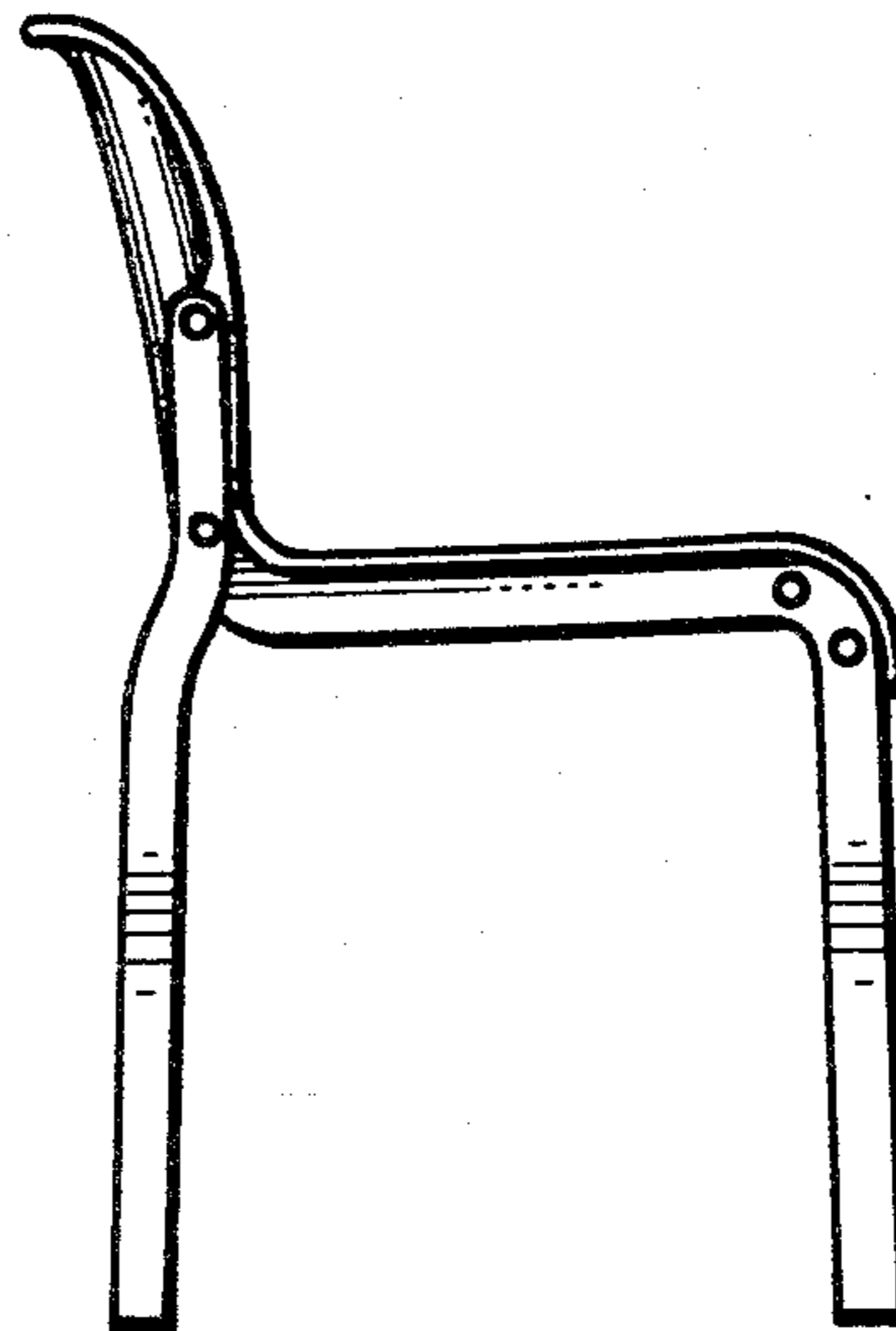
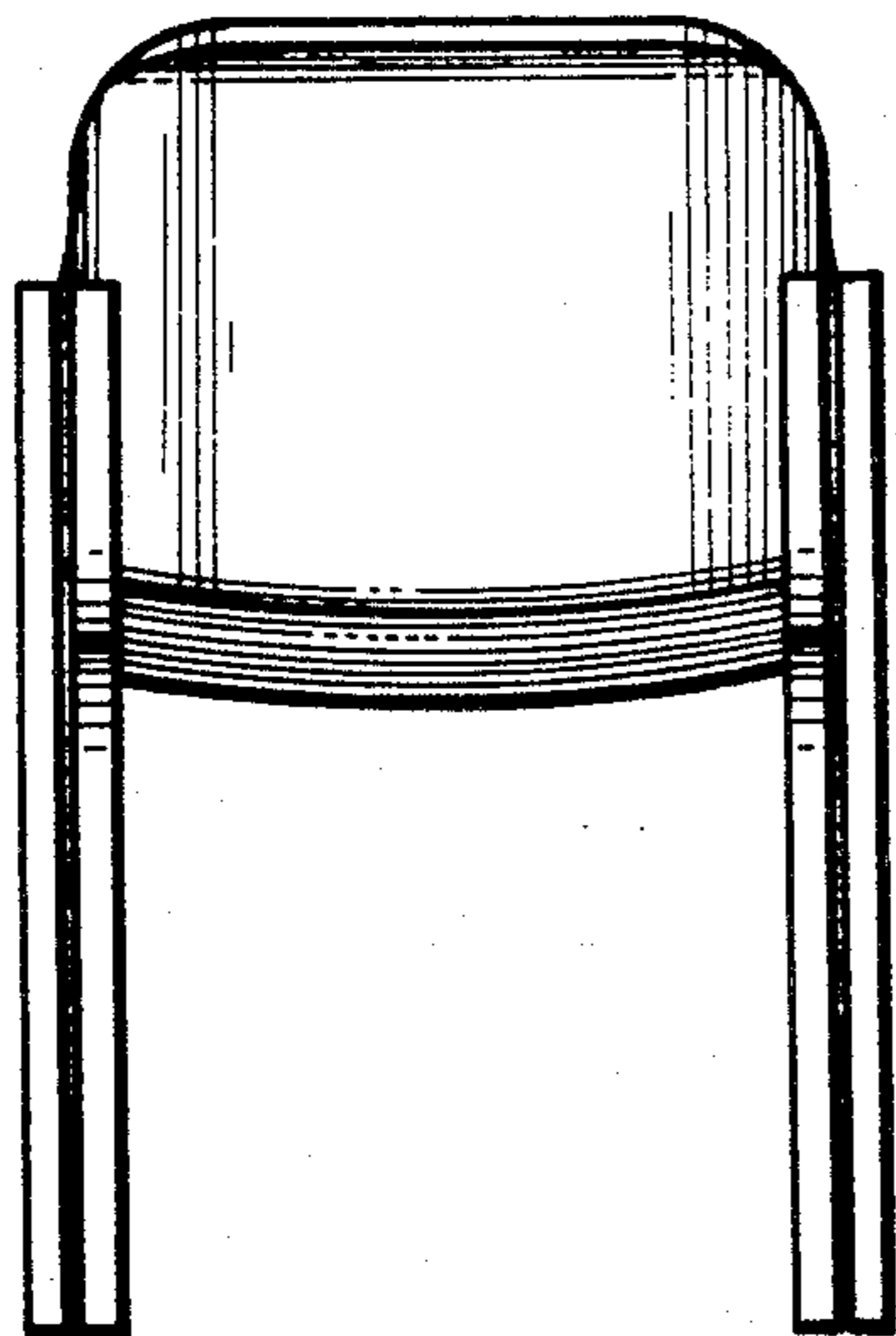
FIG. 1 is a top plan view of a chair showing my design;

FIG. 2 is a rear elevational view;

FIG. 3 is a side elevational view; and

FIG. 4 is a front elevational view thereof.

The side of the chair not shown is a mirror image of the side of the chair shown in FIG. 3.



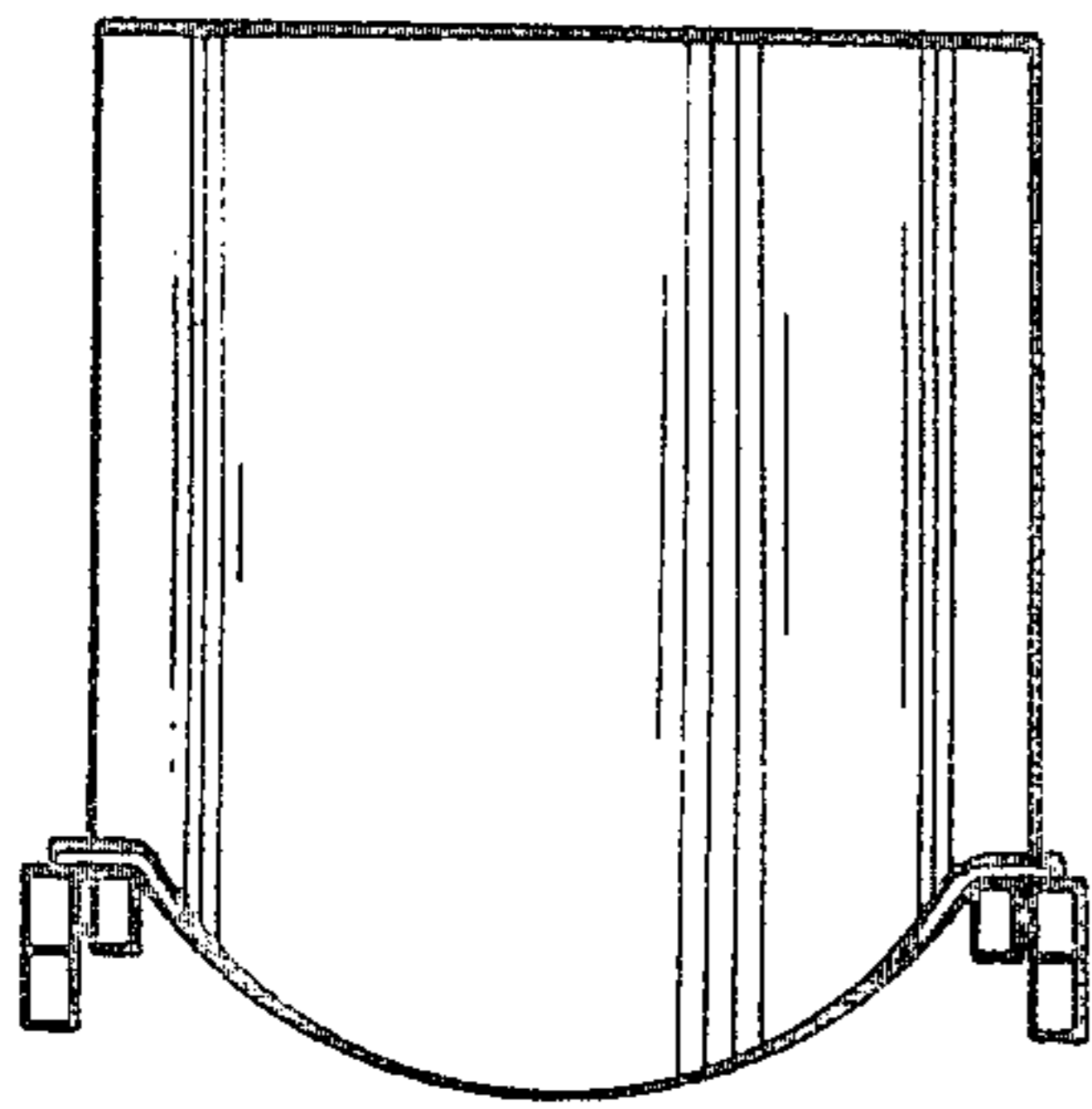


FIG. 1.

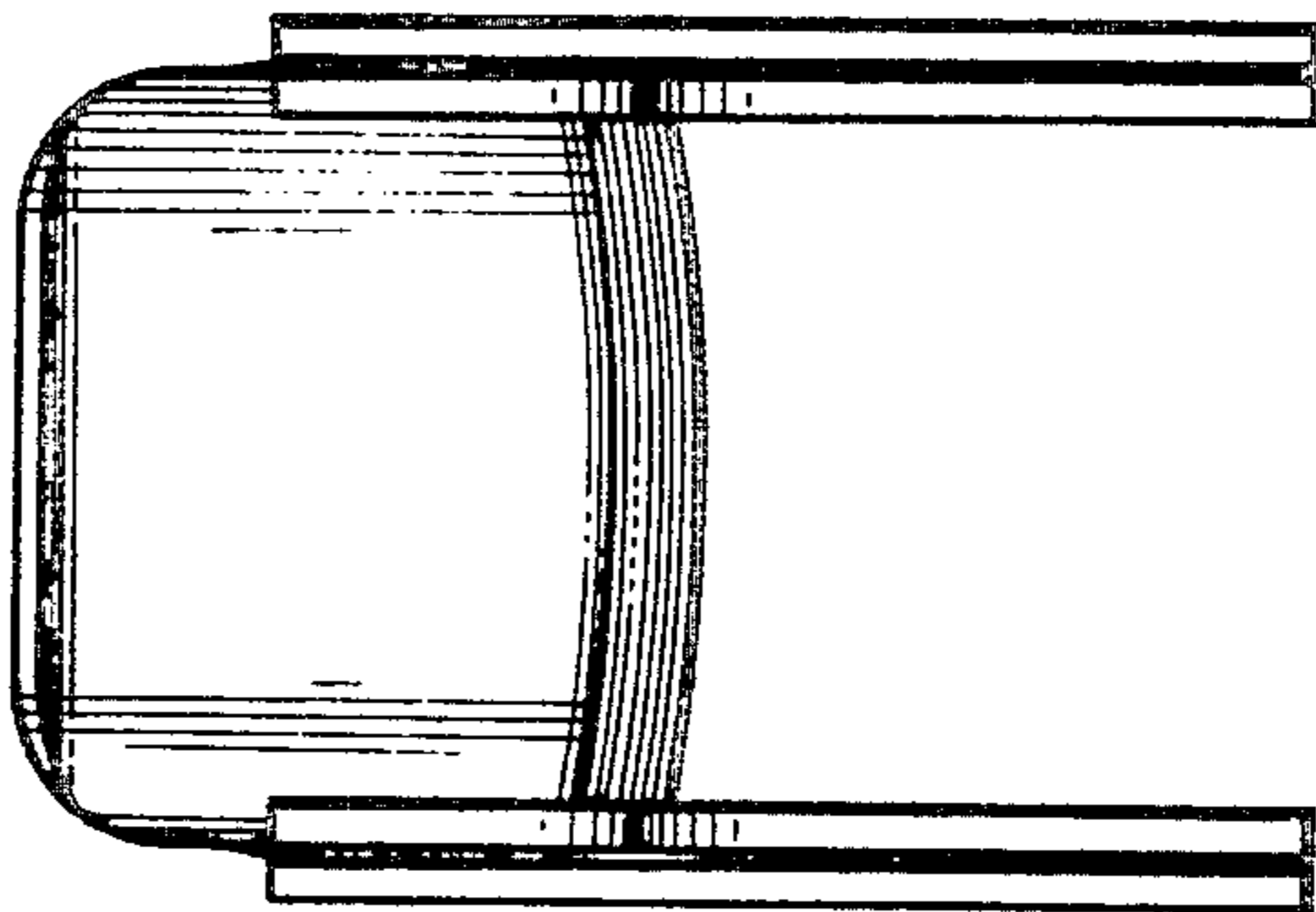


FIG. 2.

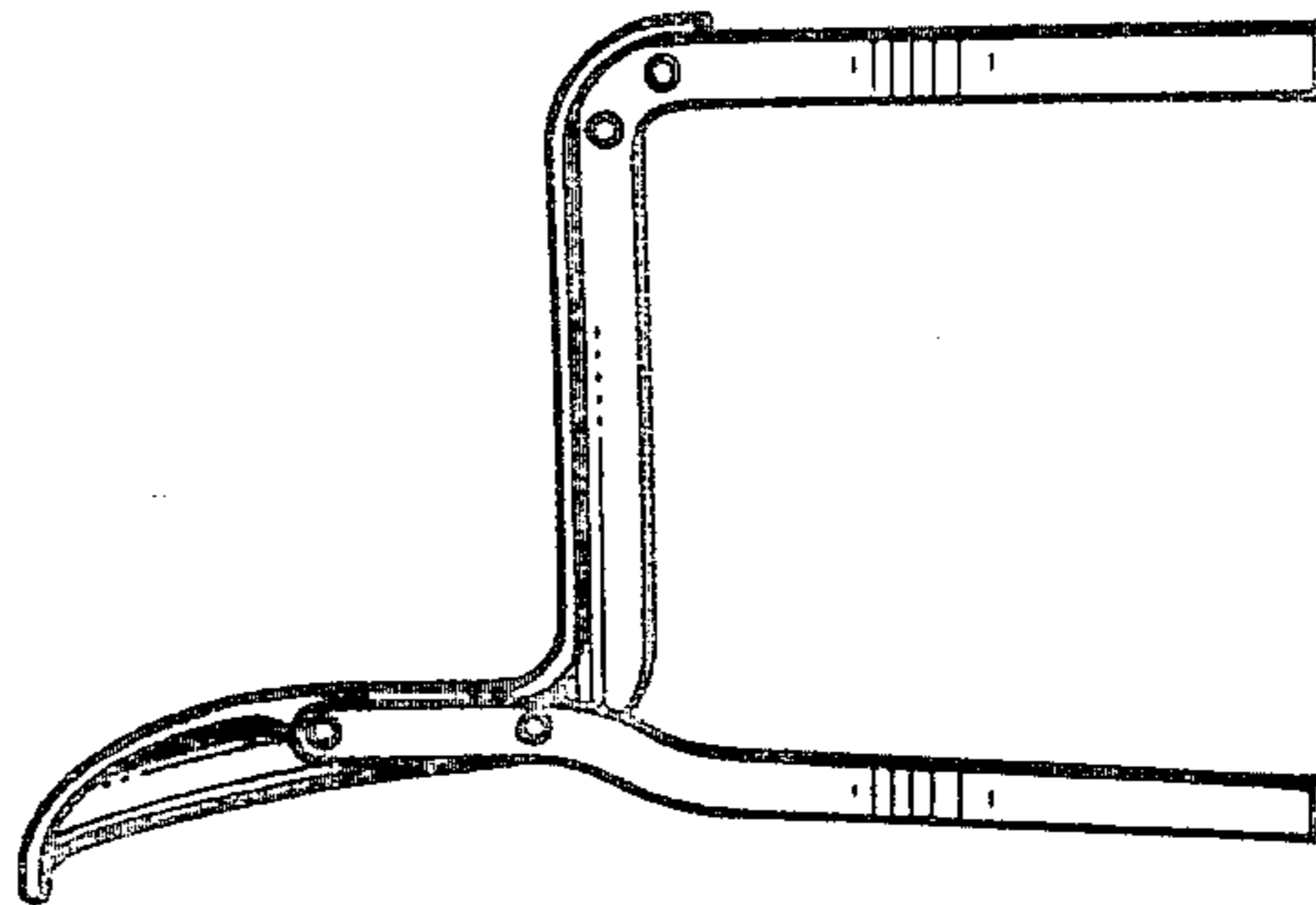


FIG. 3.

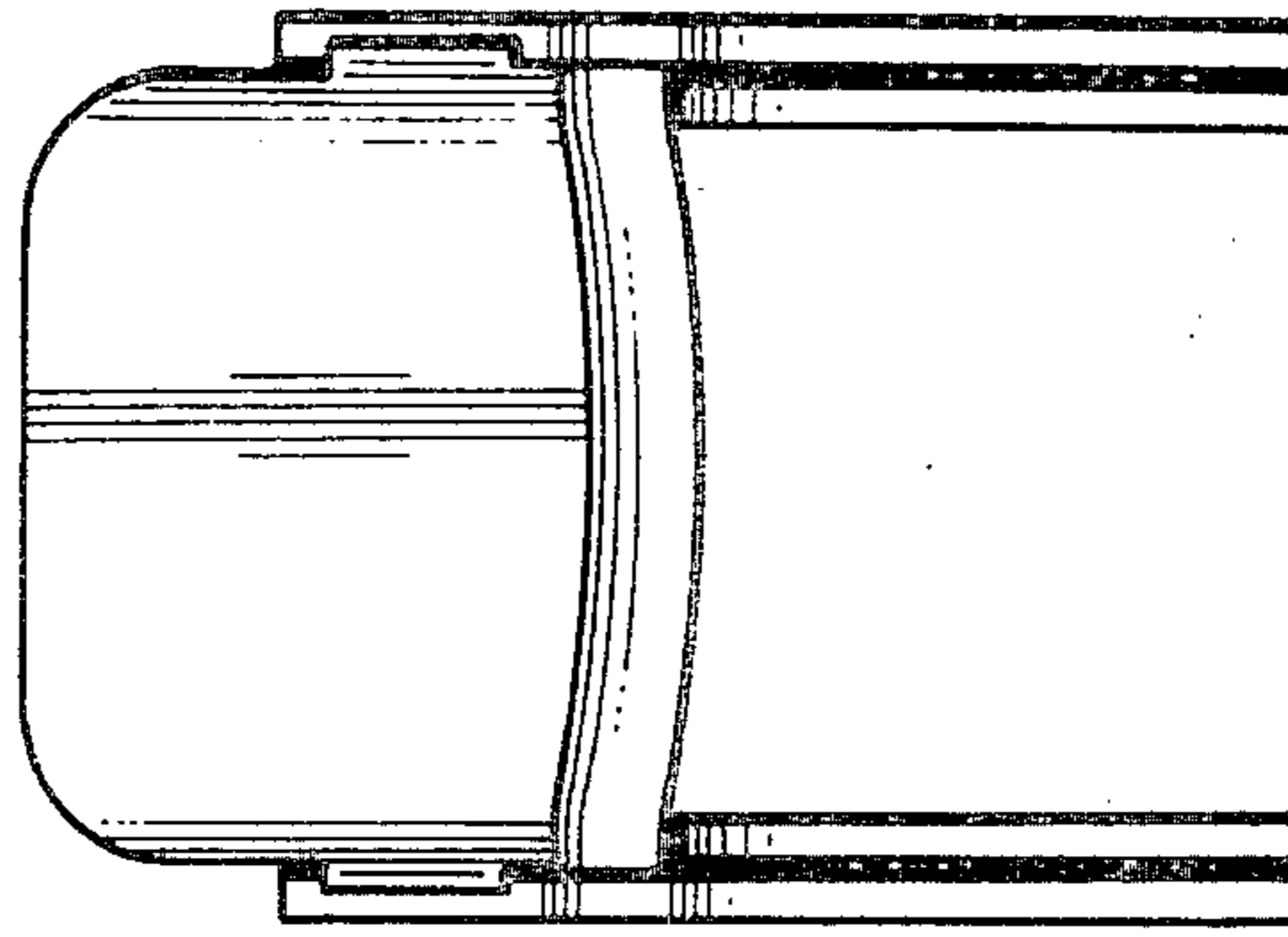


FIG. 4.