

[54] COMBINED BILLFOLD, CARD CASE AND MEMO PAD HOLDER

D. 269,625	7/1983	Draddy	.....	D3/58
D. 271,887	12/1983	Williams	.....	D3/58
1,874,554	8/1932	Liedel	.....	D3/56
4,126,168	11/1978	Ganz	.....	150/145

[76] Inventor: Guy S. Pagano, 973 Krehl Ave., Girard, Ohio 44420

Primary Examiner—George P. Word  
Attorney, Agent, or Firm—Harpman & Harpman

[\*\*] Term: 14 Years

[57] CLAIM

[21] Appl. No.: 611,904

The ornamental design for a combined billfold, card case and memo pad holder, as shown and described.

[22] Filed: May 18, 1984

DESCRIPTION

[52] U.S. Cl. .... D3/56; D3/58

[58] Field of Search ..... D3/56-60; 150/131, 132, 143-147; D19/26, 90

FIG. 1 is a perspective view of a combined billfold, card case and memo pad holder showing my new design in a partially open position;

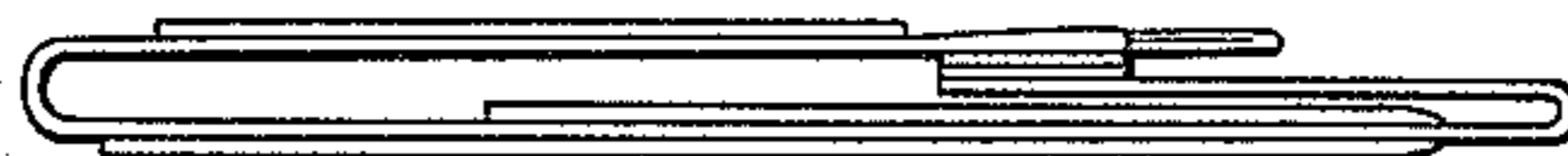
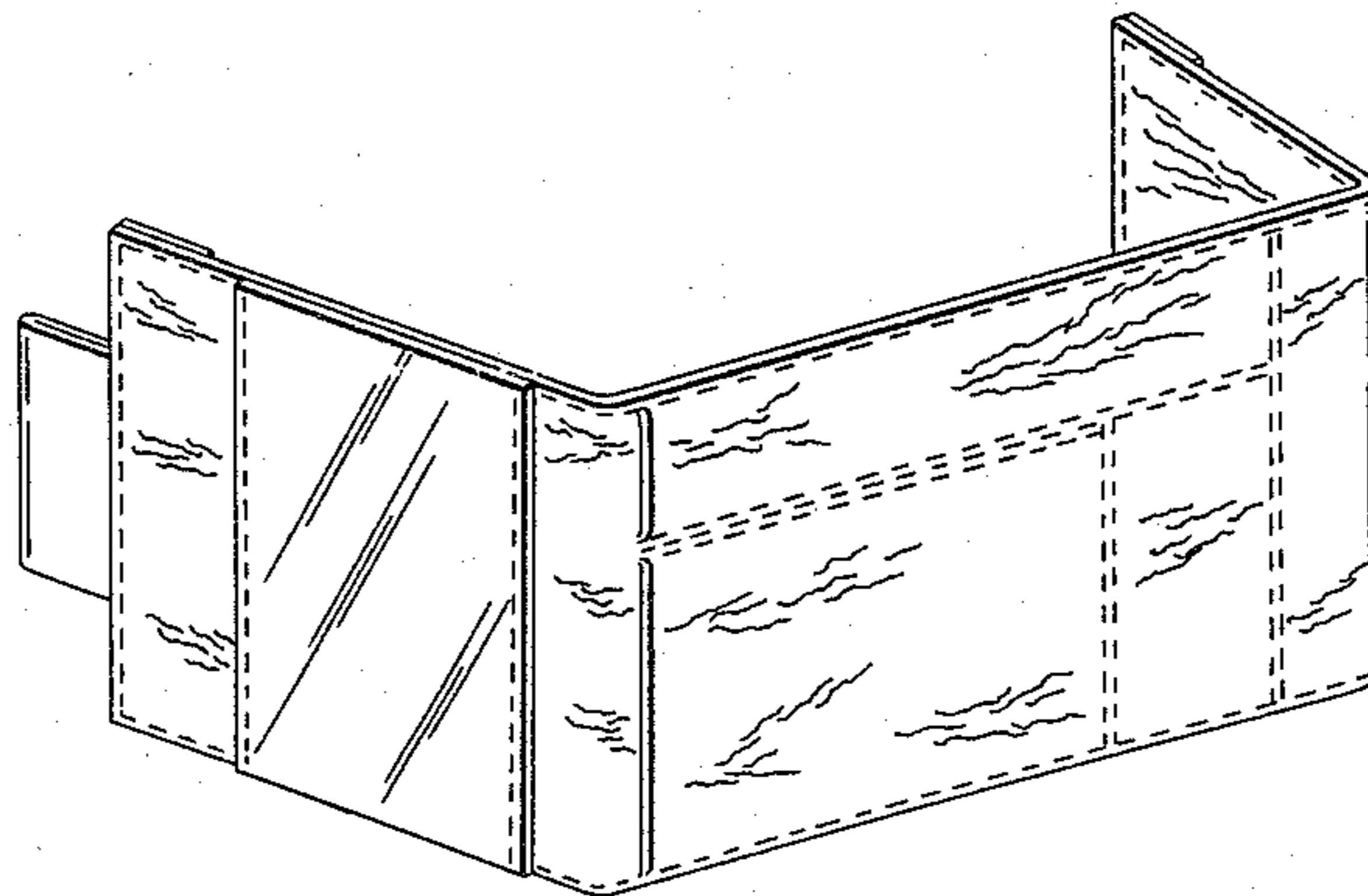
[56] References Cited

U.S. PATENT DOCUMENTS

FIG. 2 is a rear perspective view thereof in partially open position; and

D. 266,884 11/1982 Bauman ..... D3/56

FIG. 3 is a top plan view thereof in the closed position.



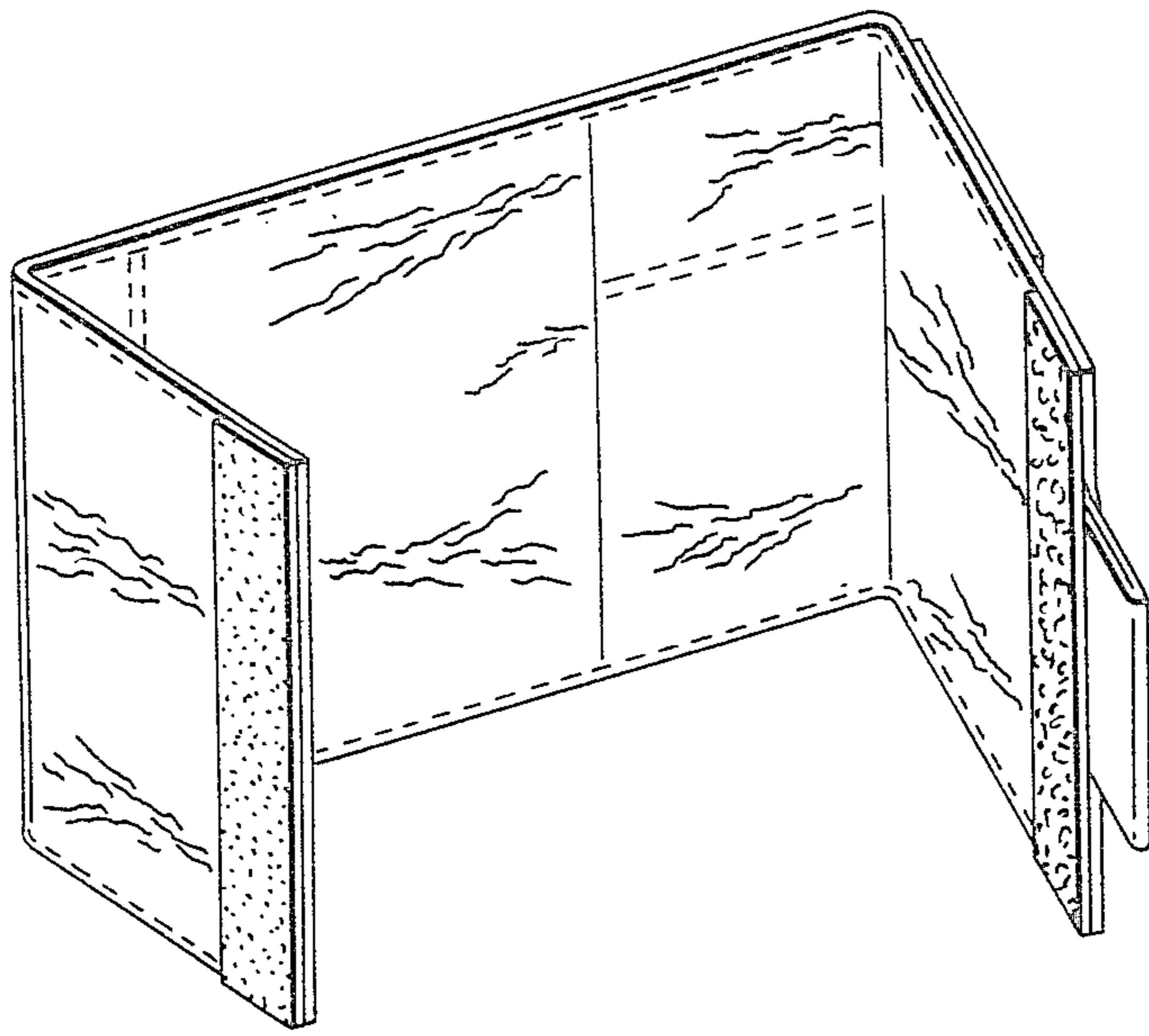


FIG. 1

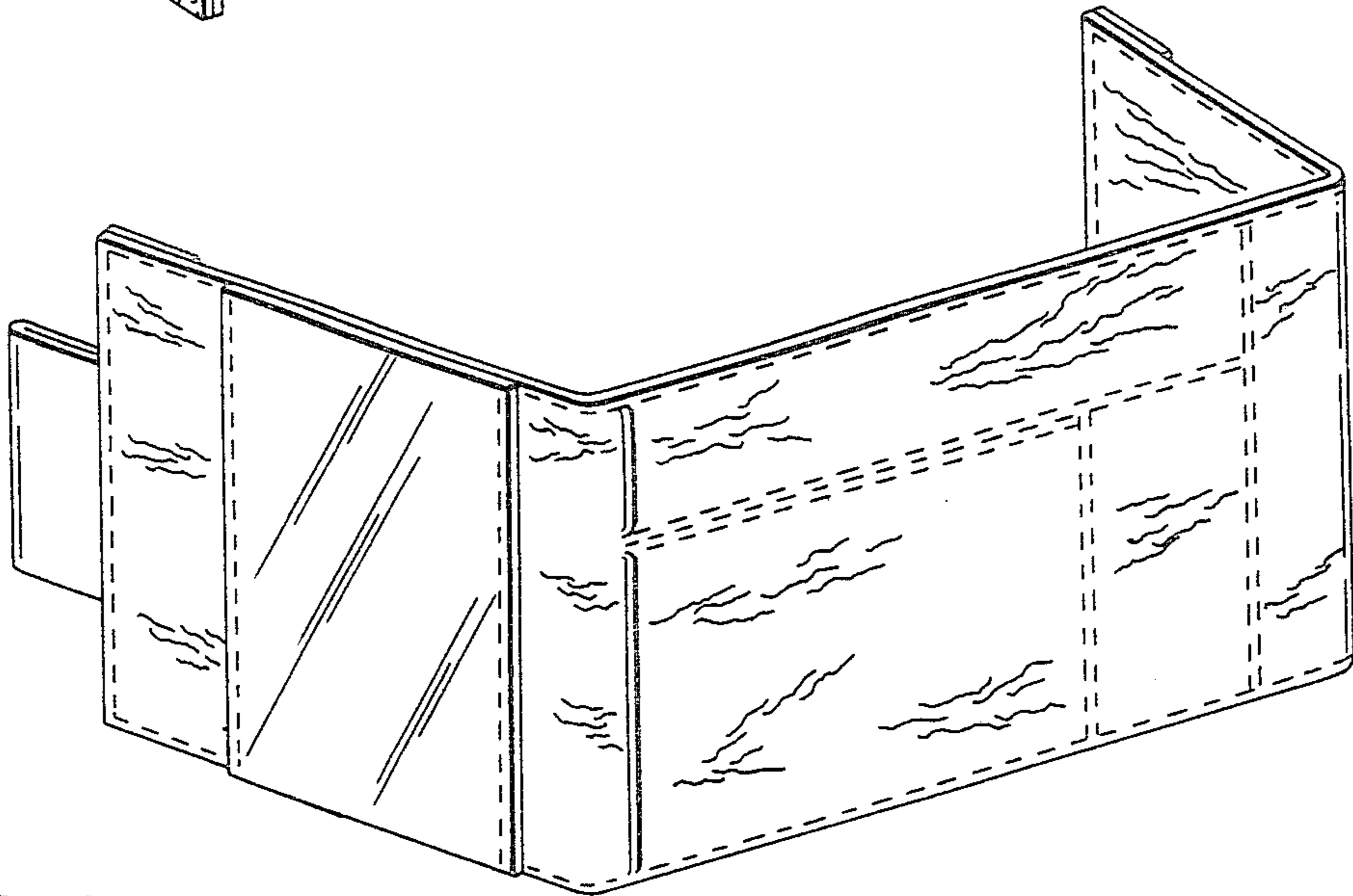


FIG. 2

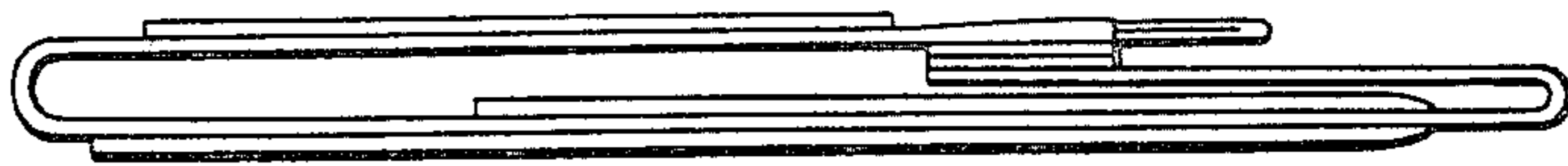


FIG. 3