

[54] CLOSE RIB BELT MODULE FOR AN ENDLESS CONVEYOR BELT

[75] Inventors: Robert H. Bode; William P. Hidden, both of Wenham, Mass.

[73] Assignee: The Cambridge Wire Cloth Co., Cambridge, Md.

[\*\*] Term: 14 Years

[21] Appl. No.: 577,362

[22] Filed: Feb. 6, 1984

[52] U.S. Cl. .... D34/29

[58] Field of Search ..... D34/29; 198/851, 853

[56] References Cited

U.S. PATENT DOCUMENTS

3,651,924	3/1972	Homeier et al. ....	198/189
4,051,949	10/1977	Lapeyre .....	198/853
4,159,763	7/1979	Kewley et al. ....	198/853
4,171,045	10/1979	Lapeyre .....	198/853
4,213,527	7/1980	Lapeyre et al. ....	198/853
4,438,838	3/1984	Hodlewsky et al. ....	198/853
4,469,221	9/1984	Albert .....	198/851
4,556,142	12/1985	Lapeyre .....	198/853

OTHER PUBLICATIONS

Cambridge Wire Cloth Co. Brochure, 1983 ©, Cambridge Wire Cloth Co., Clean Plastic Belting, Close Rib Module.

Primary Examiner—James M. Gandy  
Attorney, Agent, or Firm—Cushman, Darby & Cushman

[57] CLAIM

The ornamental design for a close rib belt module for an endless conveyor belt, as shown and described.

DESCRIPTION

FIG. 1 is a perspective view from above, of a close rib belt module for an endless conveyor belt showing my new design;

FIG. 2 is a perspective view thereof from below;

FIG. 3 is a top plan view thereof;

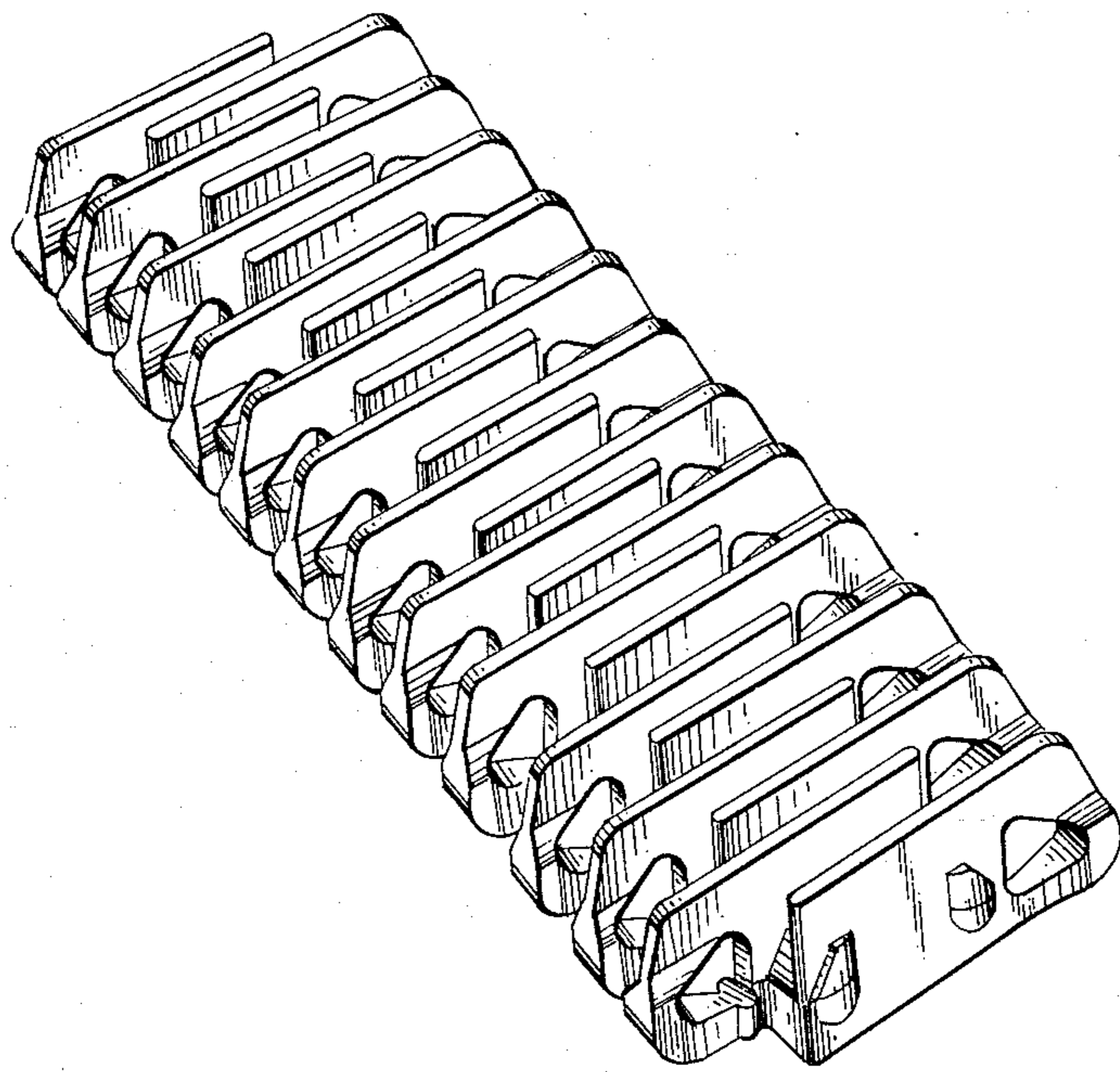
FIG. 4 is a cross-sectional view thereof taken on line 4—4 of FIG. 3;

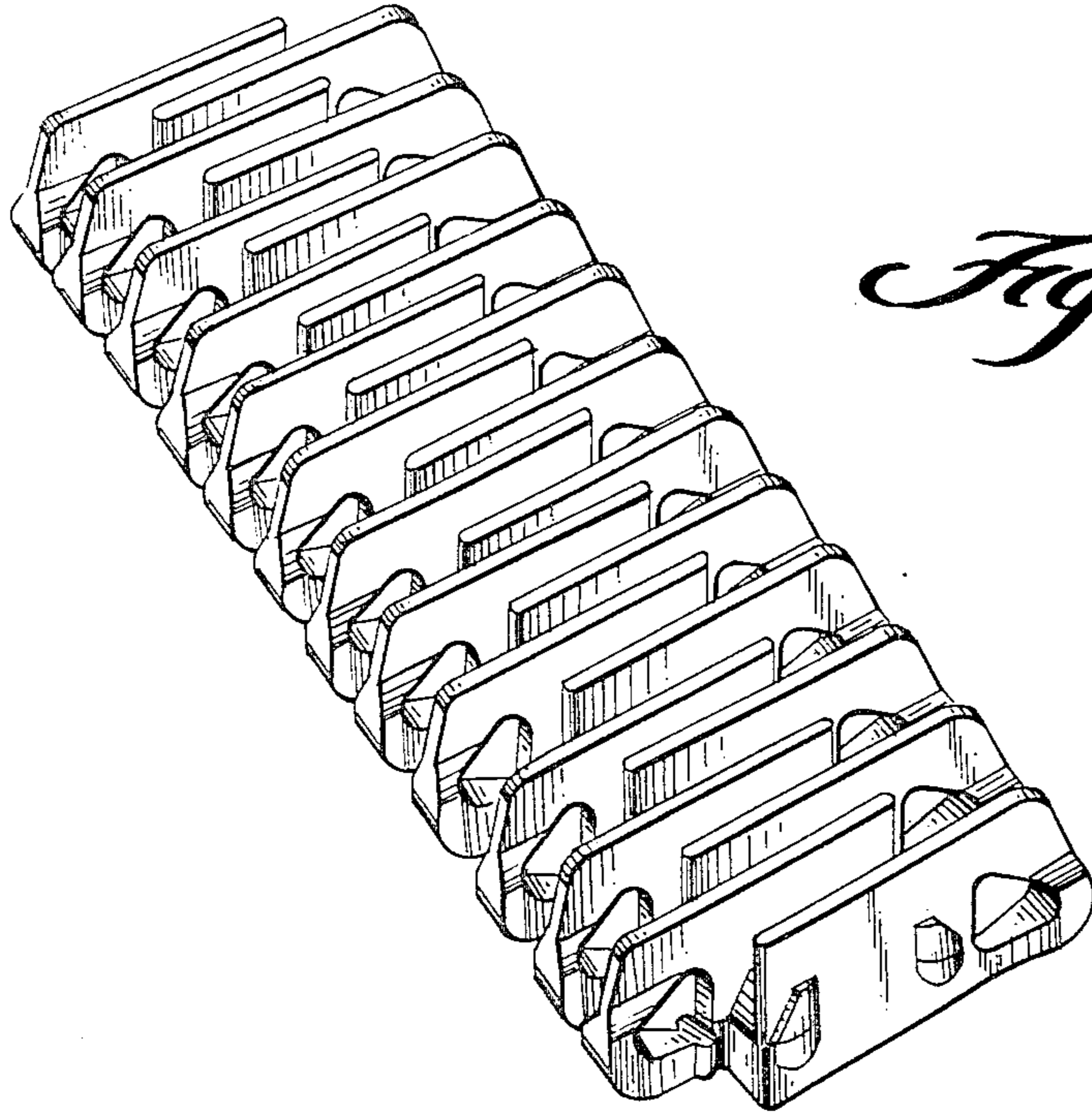
FIG. 5 is a left end elevational view thereof;

FIG. 6 is a fragmentary bottom plan view thereof showing the portion between the arrows 6—6 of FIG. 4; and

FIG. 7 is an enlarged scale fragmentary cross-sectional view thereof taken on line 7—7 of FIG. 3.

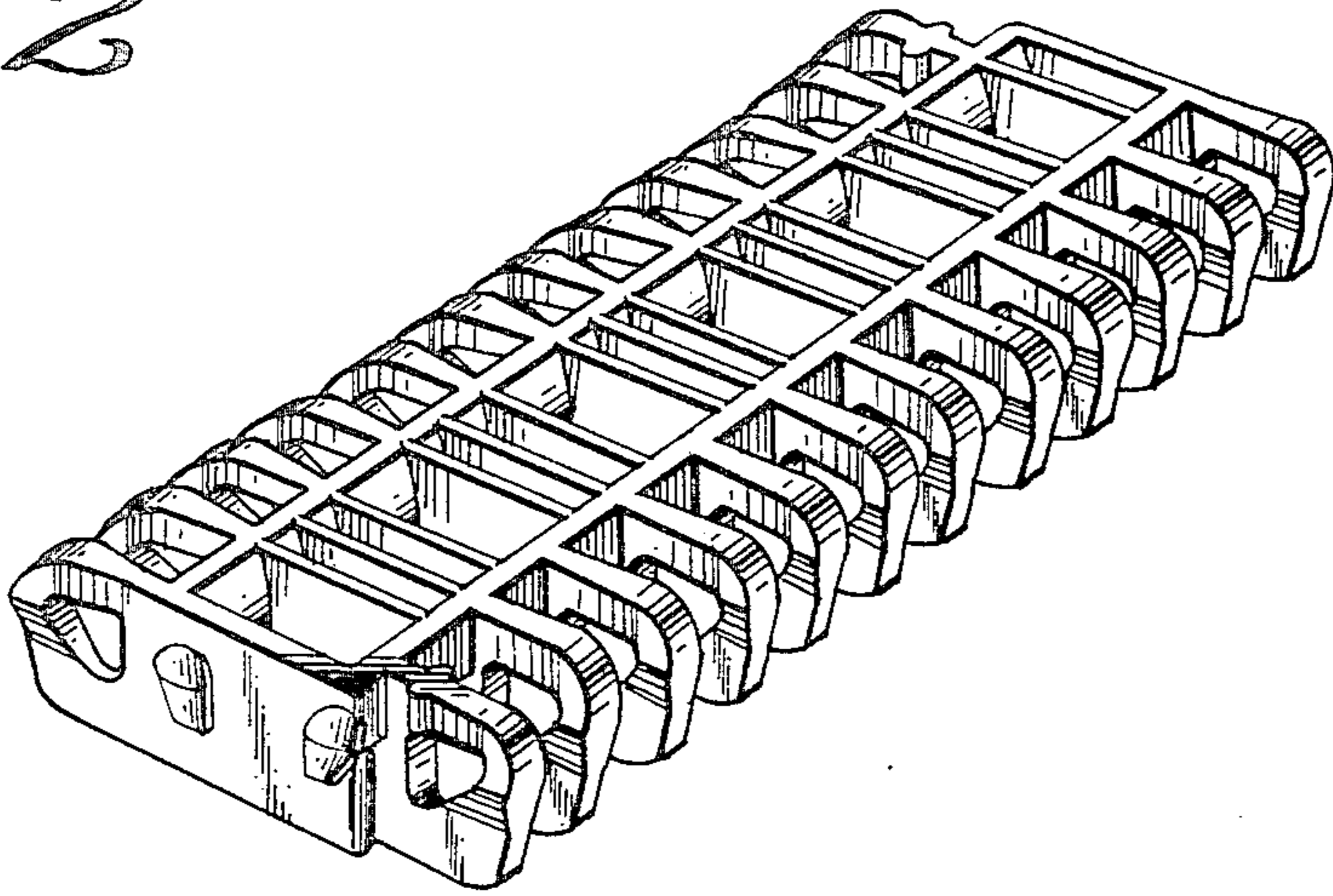
The right end thereof is a mirror image of the left end shown.



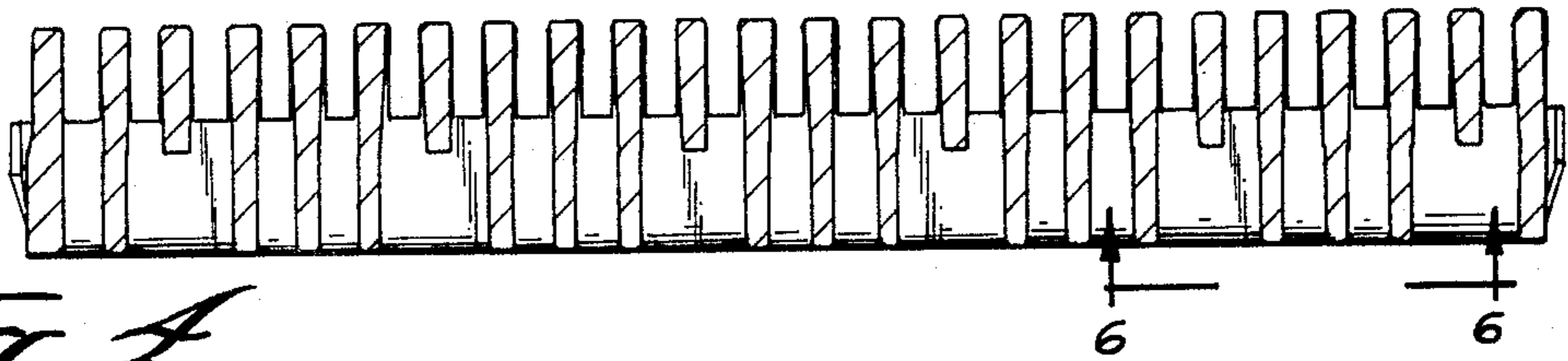
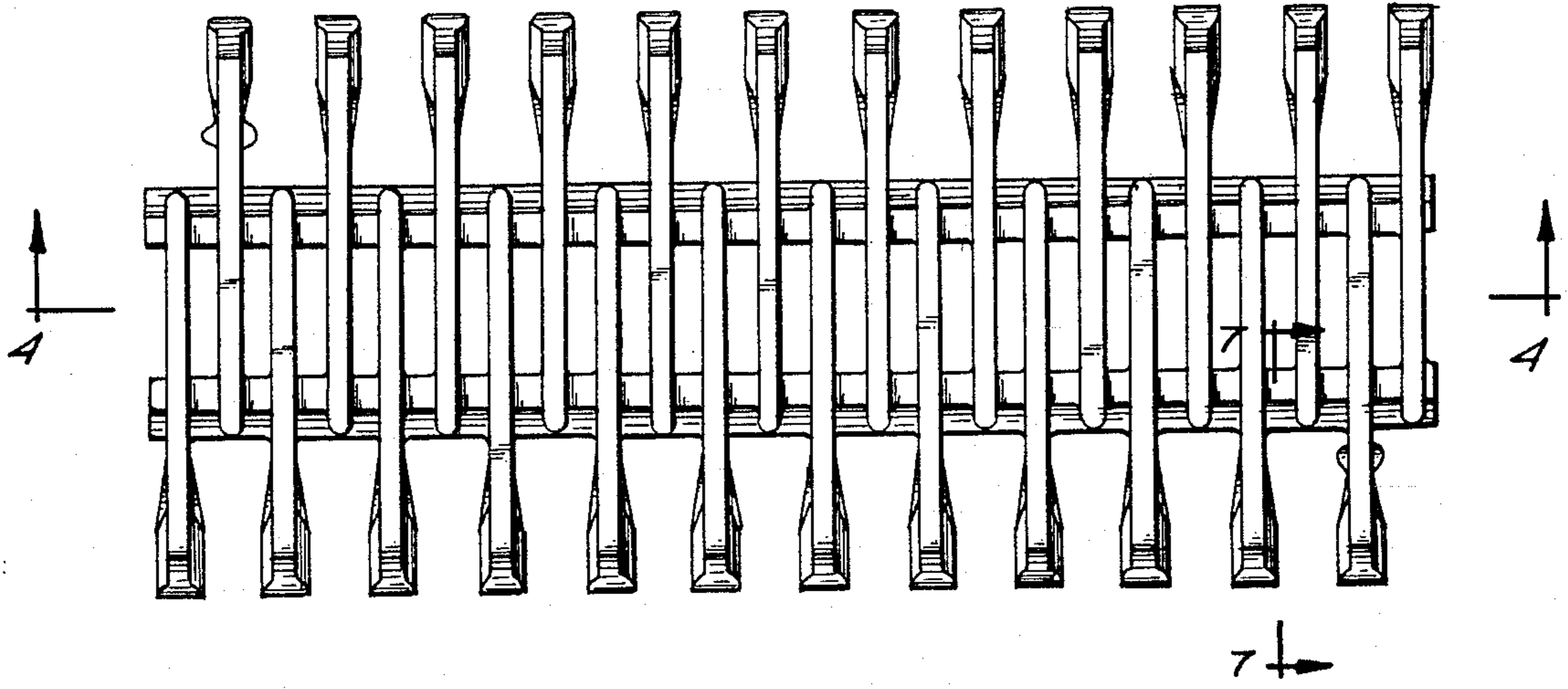


*Fig. 1*

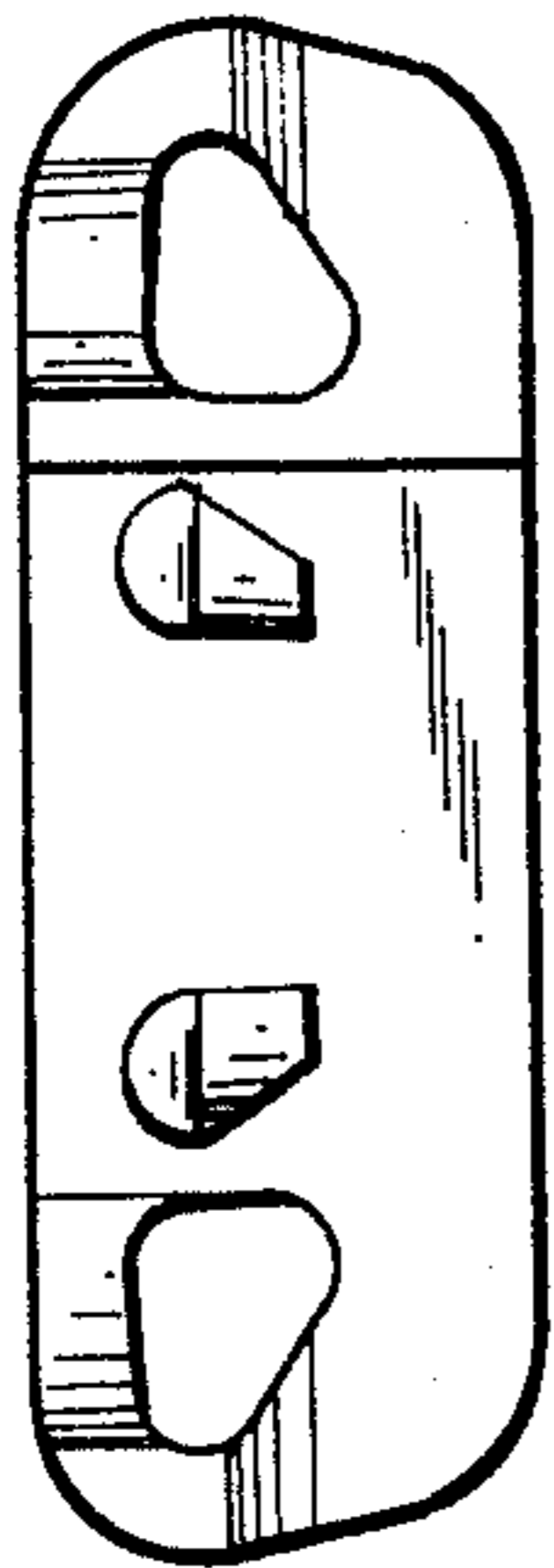
*Fig. 2*



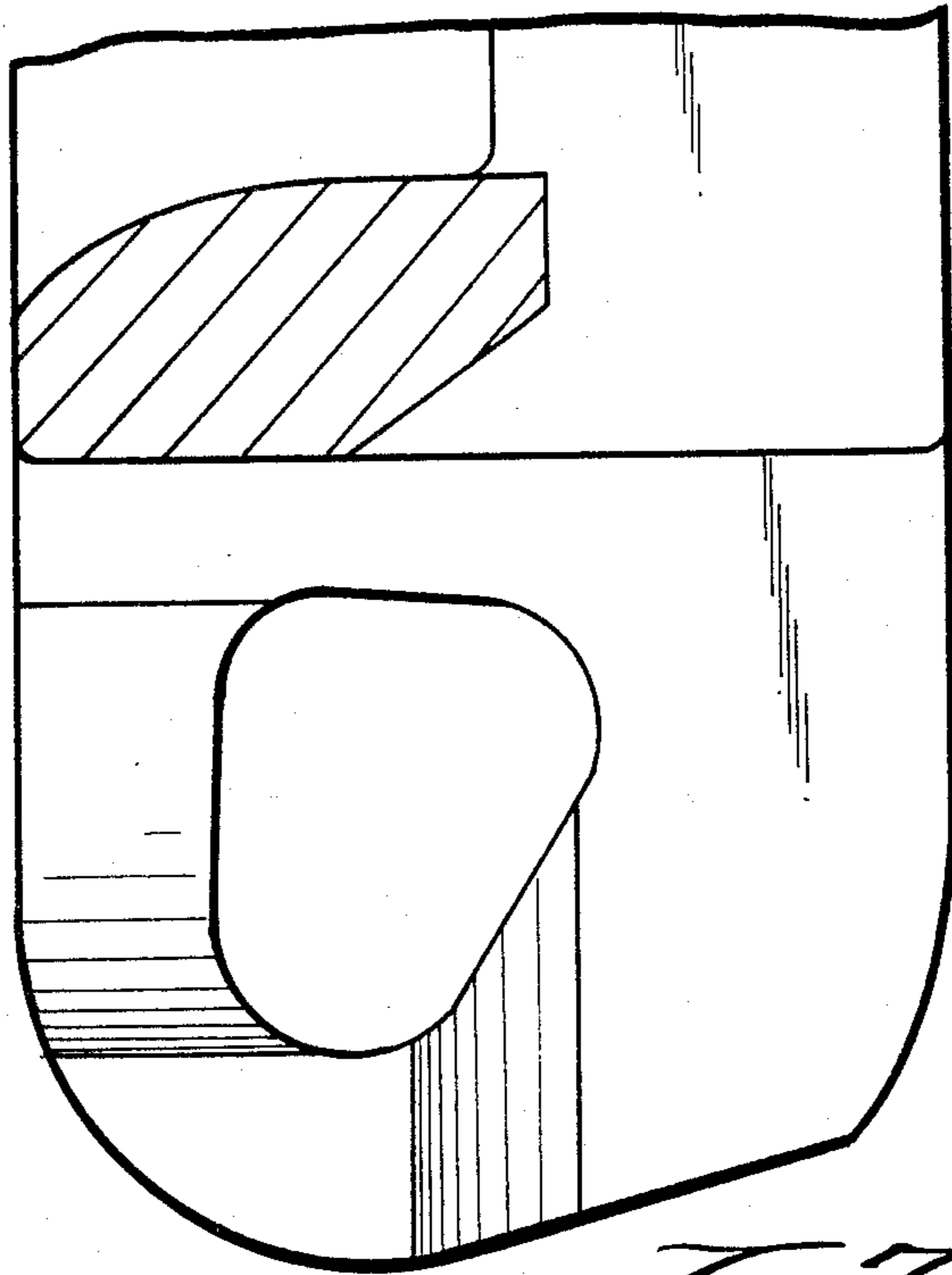
*Fig. 3*



*Fig. 4*



*Fig. 5*



*Fig. 7*

*Fig. 6*

