

[54] LOWER SUPPORT COLLAR FOR ARMS OF A COLLAPSIBLE CLOTHES DRIER

[75] Inventor: Ronald G. Meade, Edwardstown, Australia

[73] Assignee: Hills Industries Limited, Australia

[**] Term: 14 Years

[21] Appl. No.: 615,205

[22] Filed: May 30, 1984

[30] Foreign Application Priority Data

Nov. 30, 1983 [AU] Australia 5849/83
[52] U.S. Cl. D32/58
[58] Field of Search 211/183, 196, 197; D32/60, 59, 58

[56] References Cited

U.S. PATENT DOCUMENTS

Table with 4 columns: Patent No., Date, Inventor, and Reference No. (e.g., D. 254,471, 3/1980, Seabrook, D32/58)

FOREIGN PATENT DOCUMENTS

Table with 4 columns: Patent No., Date, Country, and Reference No. (e.g., 221277, 5/1959, Australia, 211/196)

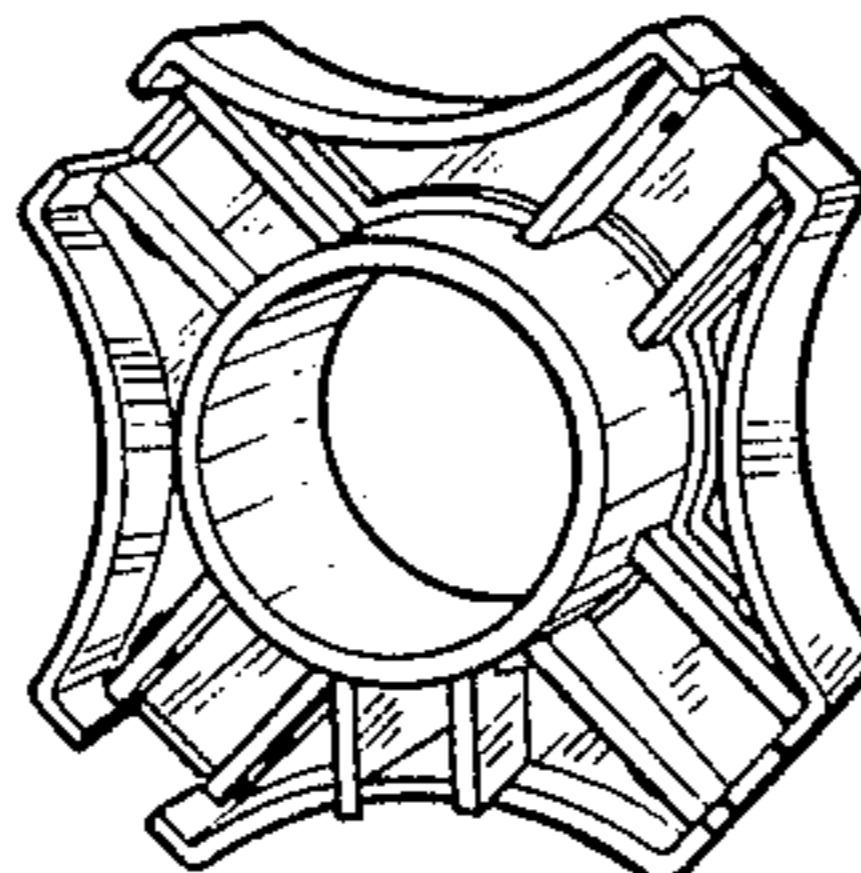
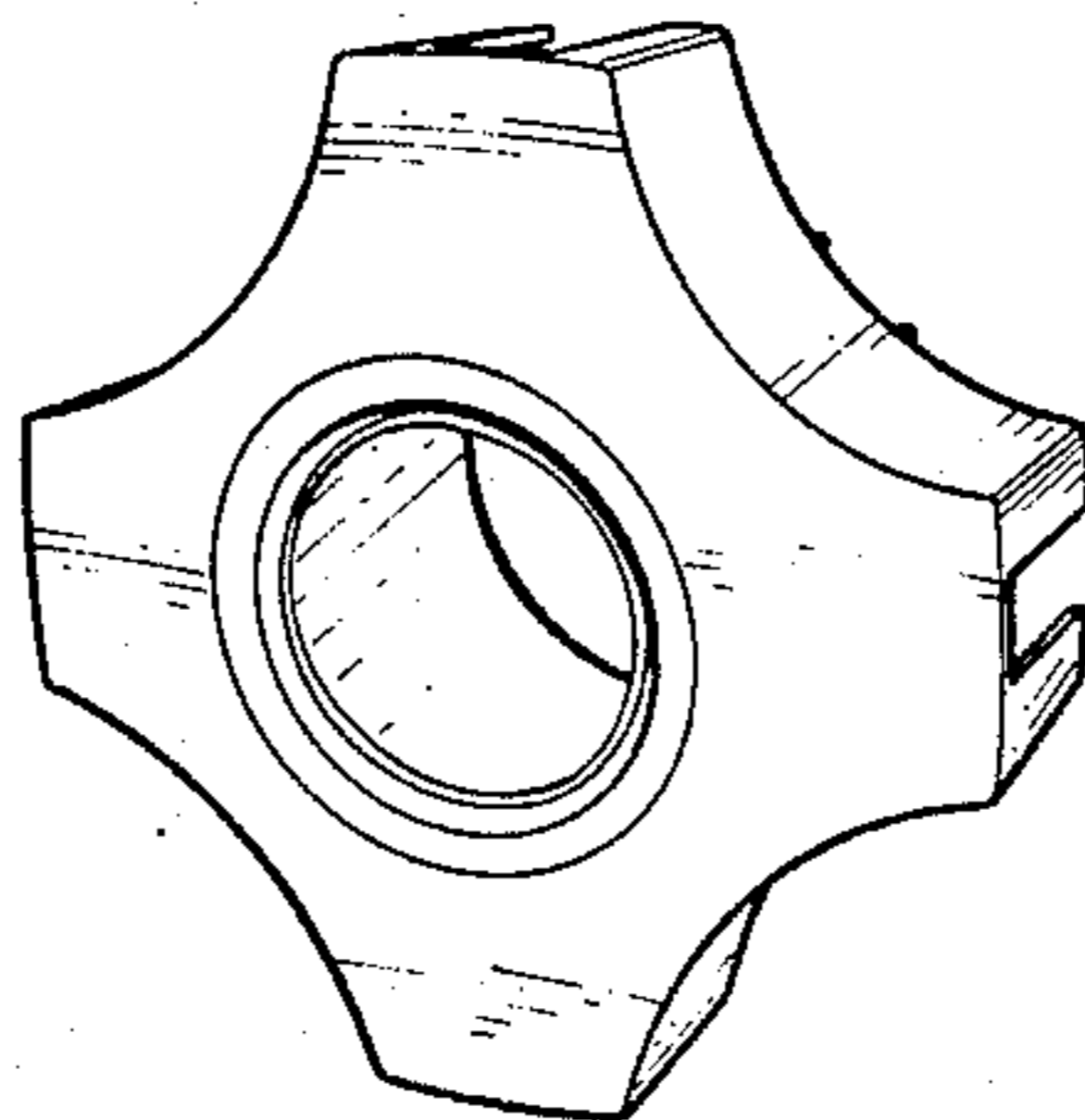
Primary Examiner—Catherine E. Kemper
Attorney, Agent, or Firm—David A. Jackson

[57] CLAIM

The ornamental design for a lower support collar for arms of a collapsible clothes drier, as shown and described.

DESCRIPTION

FIG. 1 is a perspective view, looking from the front, illustrating the lower support collar for arms of a collapsible clothes drier of my design, including the two sections therefor, in engagement with each other. FIG. 2 is a perspective view, looking from the rear, of the design of FIG. 1. FIG. 3 is a perspective view, looking from the rear, of the outer portion of the design of FIG. 1. FIG. 4 is a perspective view, looking from the rear, of the inner portion of the design of FIG. 1. FIG. 5 is a perspective view, looking from the top, of the outer portion of the design of FIG. 1. FIG. 6 is a perspective view, looking from the top, of the inner portion of the design of FIG. 1.



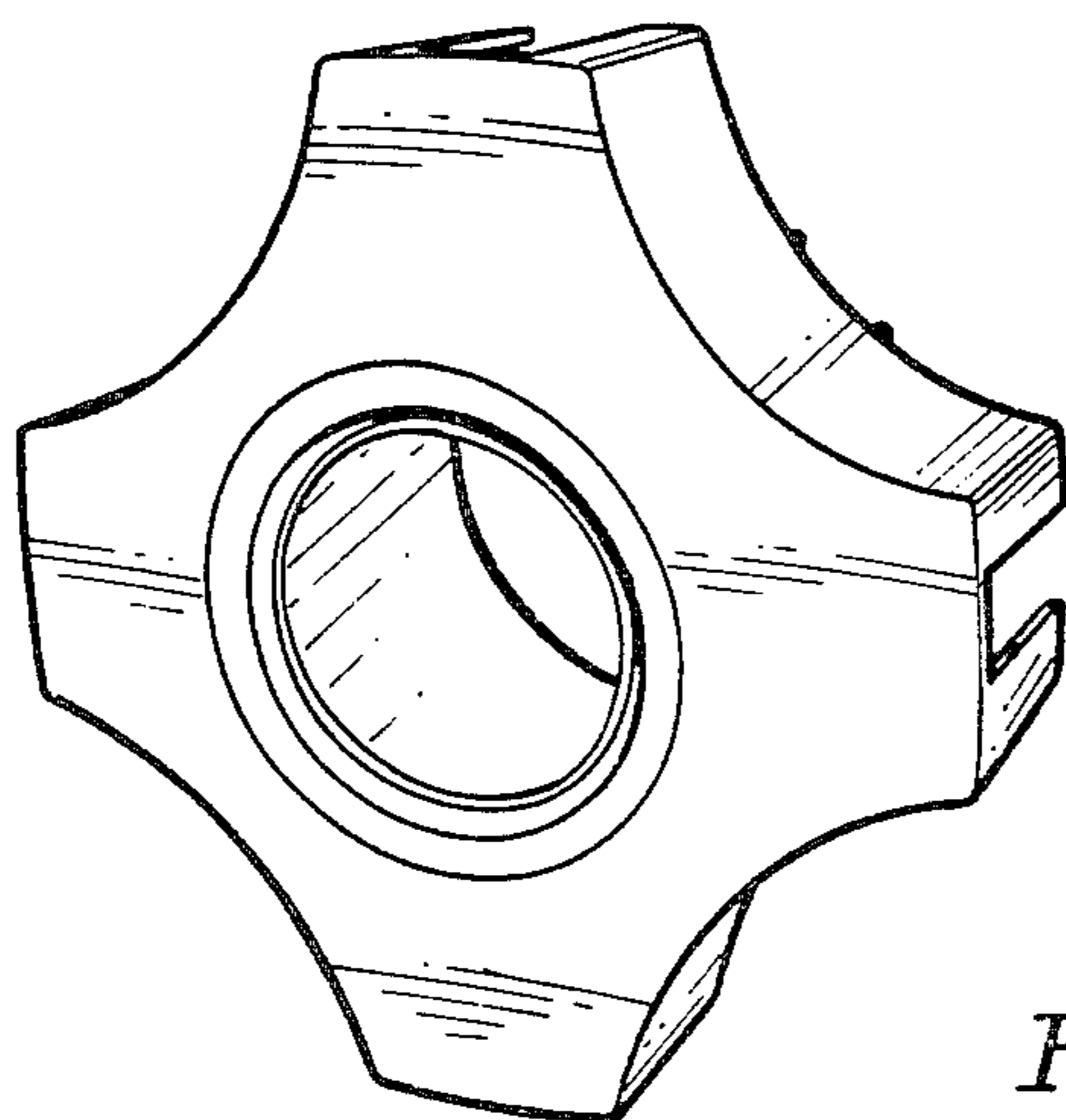


FIG 1

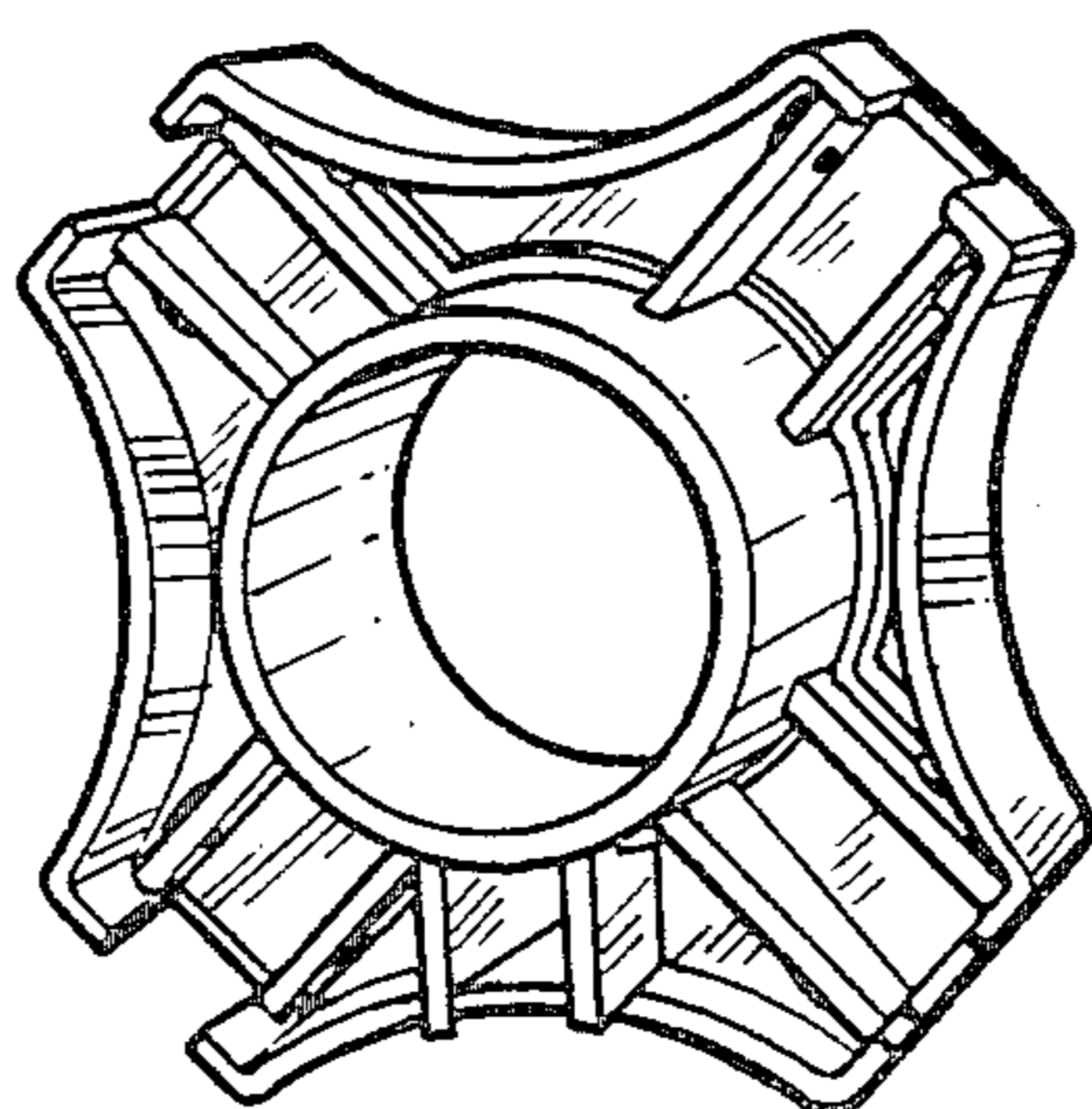


FIG 2

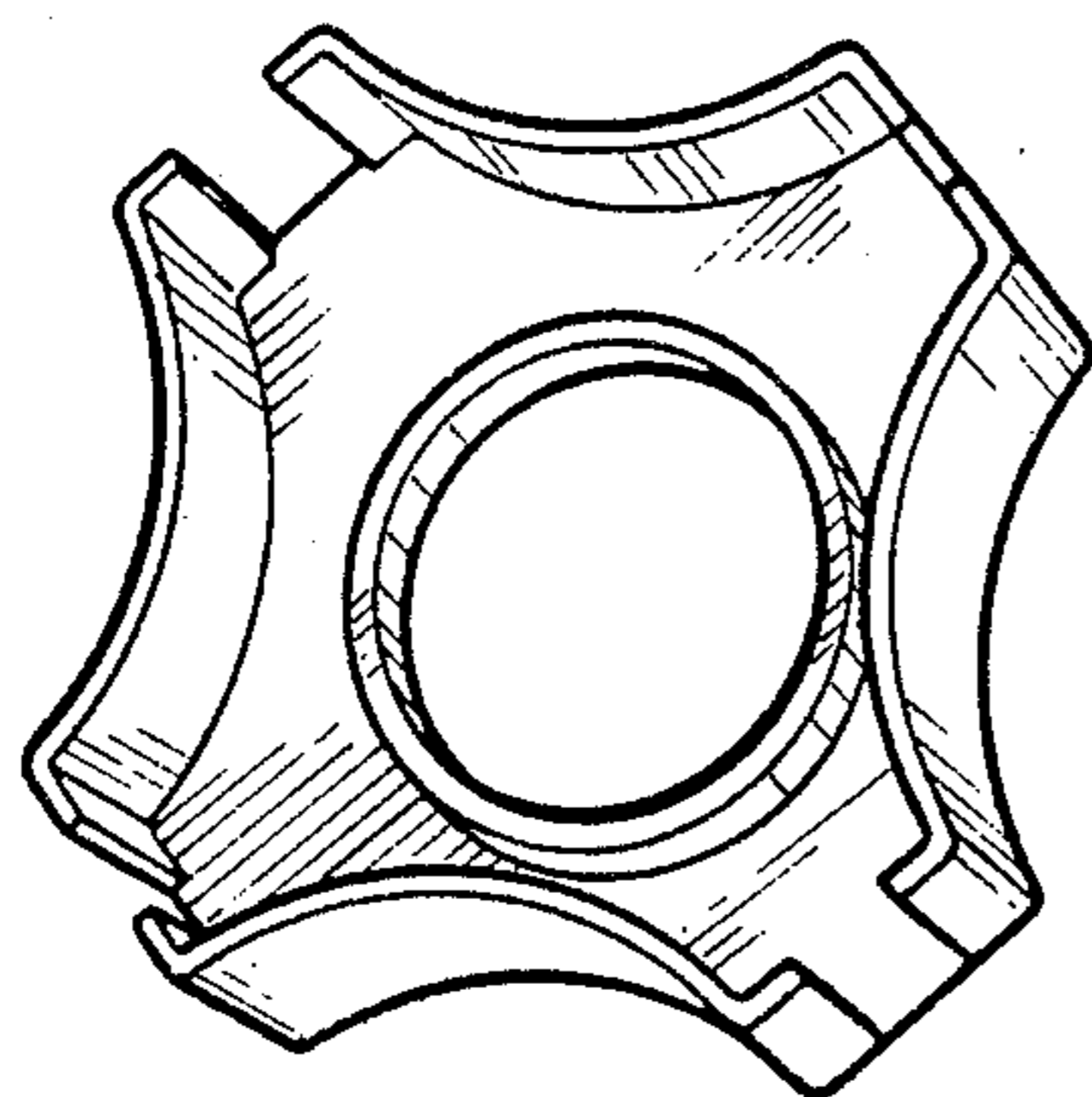


FIG 3

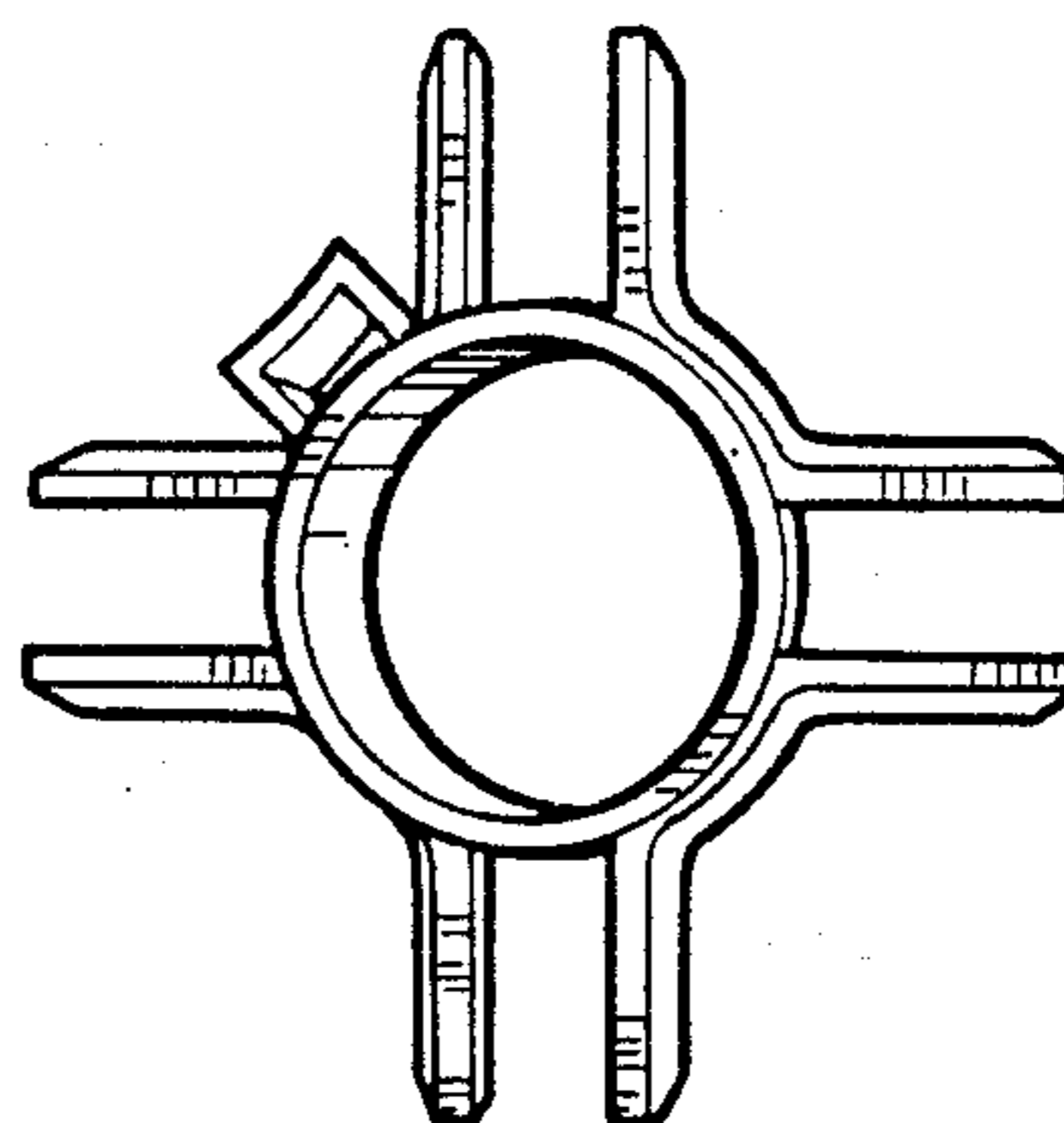


FIG 4

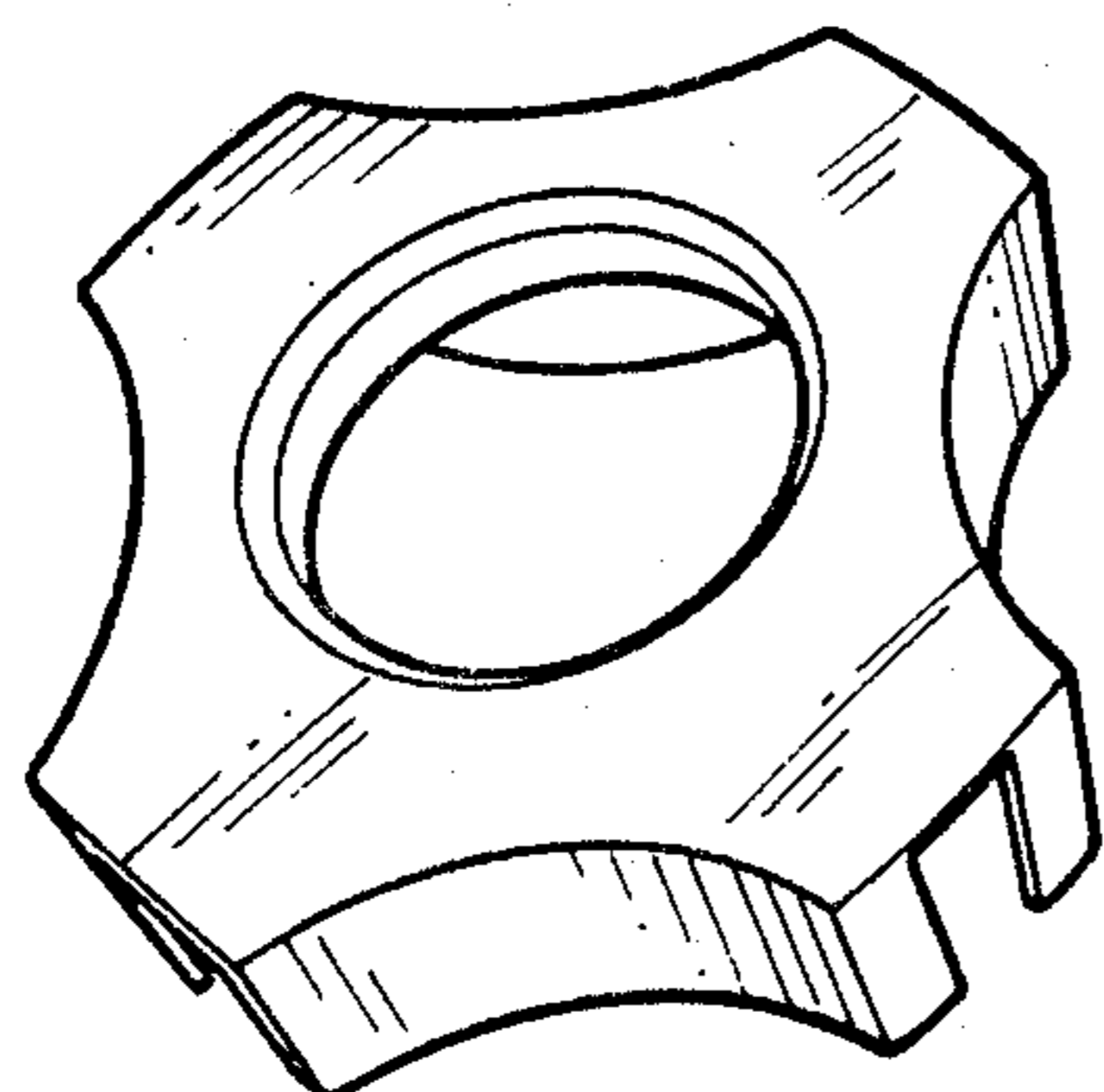


FIG 5

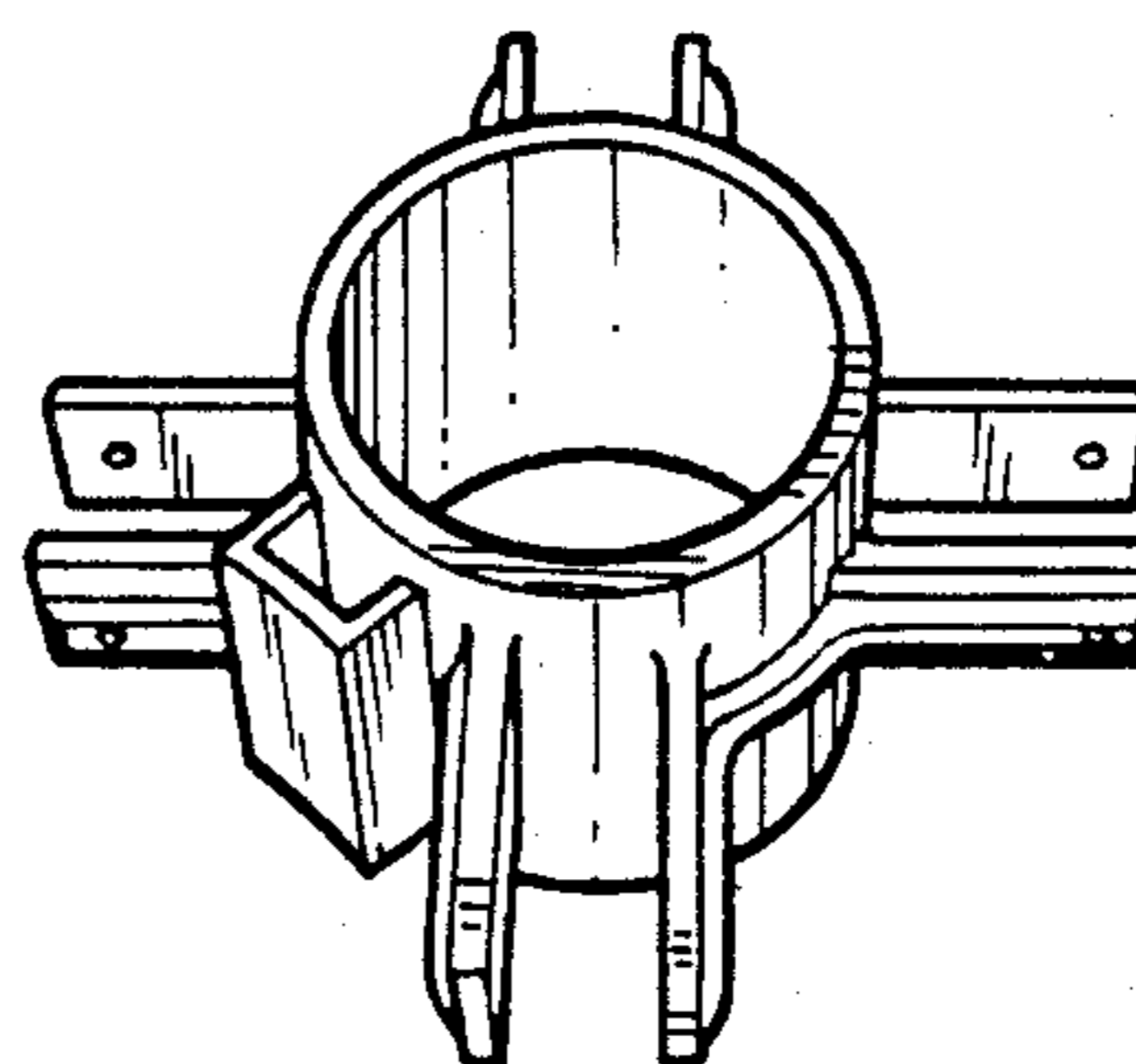


FIG 6