

[54] FIRE EXTINGUISHER VALVE

[75] Inventor: Kenneth R. Fenne, Glen Ellyn, Ill.

[73] Assignee: Pittway Corporation, Aurora, Ill.

[**] Term: 14 Years

[21] Appl. No.: 675,880

[22] Filed: Nov. 28, 1984

[52] U.S. Cl. D29/5

[58] Field of Search D29/2-5;
169/30, 70, 71, 77, 89, 74, 75; D23/17, 18;
222/471, 472, 473, 475; 239/525-528

[56] References Cited

U.S. PATENT DOCUMENTS

- D. 186,765 12/1959 Hose D29/5
- D. 235,544 6/1975 Bippus D23/18
- D. 272,081 1/1984 Suhajda et al. D23/17

3,011,514 12/1961 Huthsing, Sr. D29/5

FOREIGN PATENT DOCUMENTS

2916205 10/1980 Fed. Rep. of Germany 169/89

Primary Examiner—James M. Gandy

Assistant Examiner—Kay H. Chin

Attorney, Agent, or Firm—Emrich & Dithmar

[57] CLAIM

The ornamental design for a fire extinguisher valve, as shown and described.

DESCRIPTION

FIG. 1 is a right side elevation view of a fire extinguisher valve showing my new design;
 FIG. 2 is a top plan view thereof;
 FIG. 3 is a bottom plan view thereof;
 FIG. 4 is a left side elevation view thereof;
 FIG. 5 is a front elevation view thereof; and
 FIG. 6 is a rear elevation view thereof.

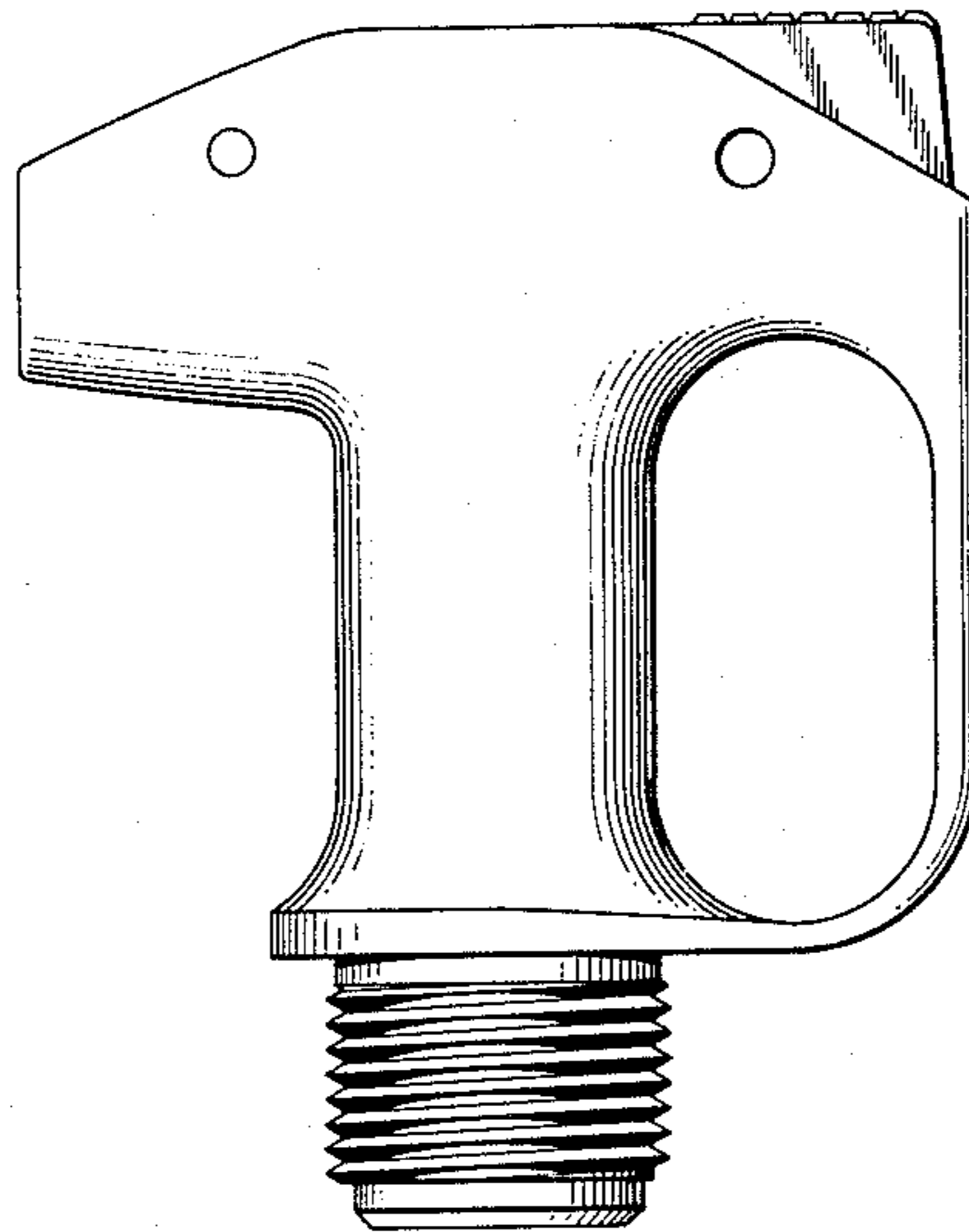


FIG. 1

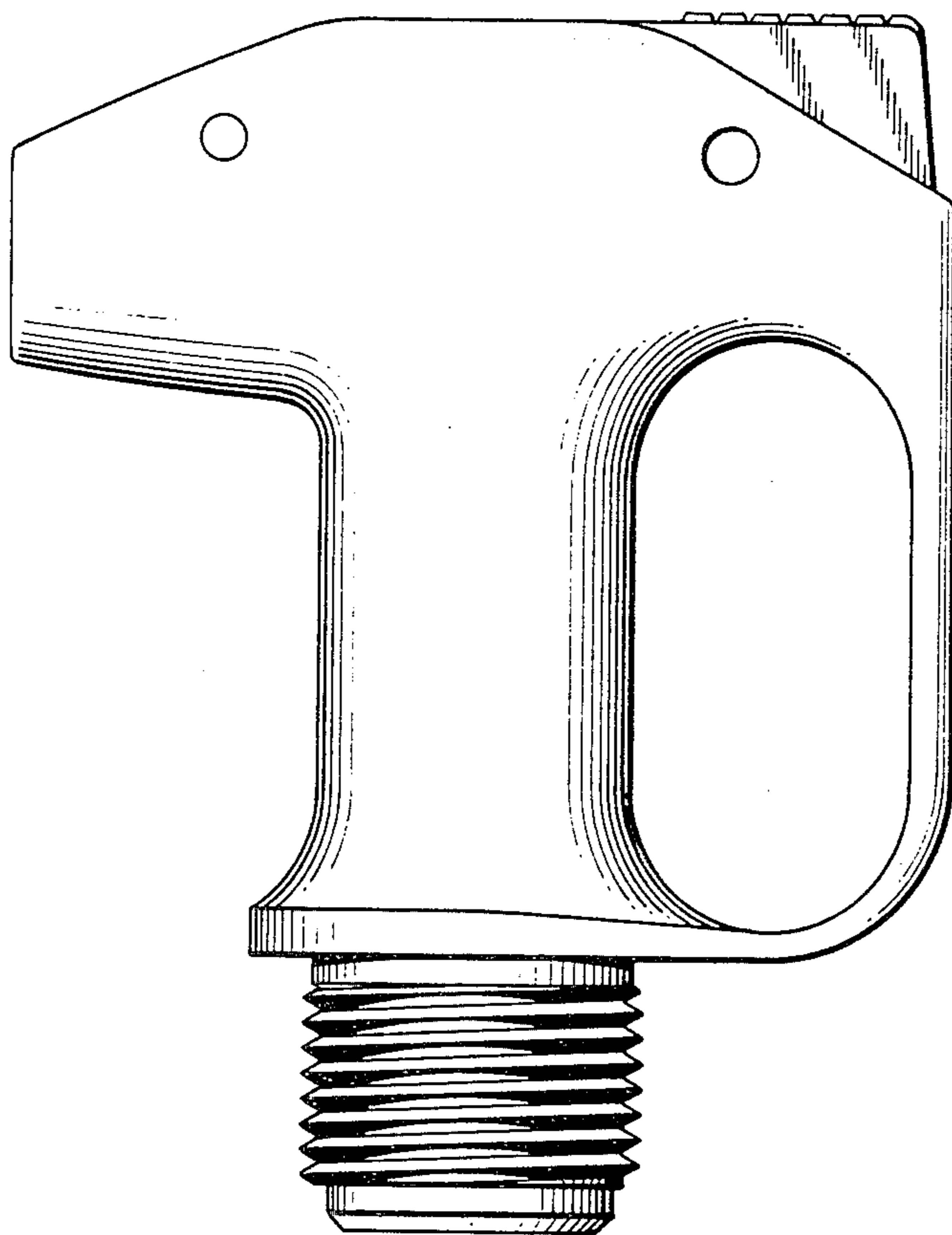


FIG. 2

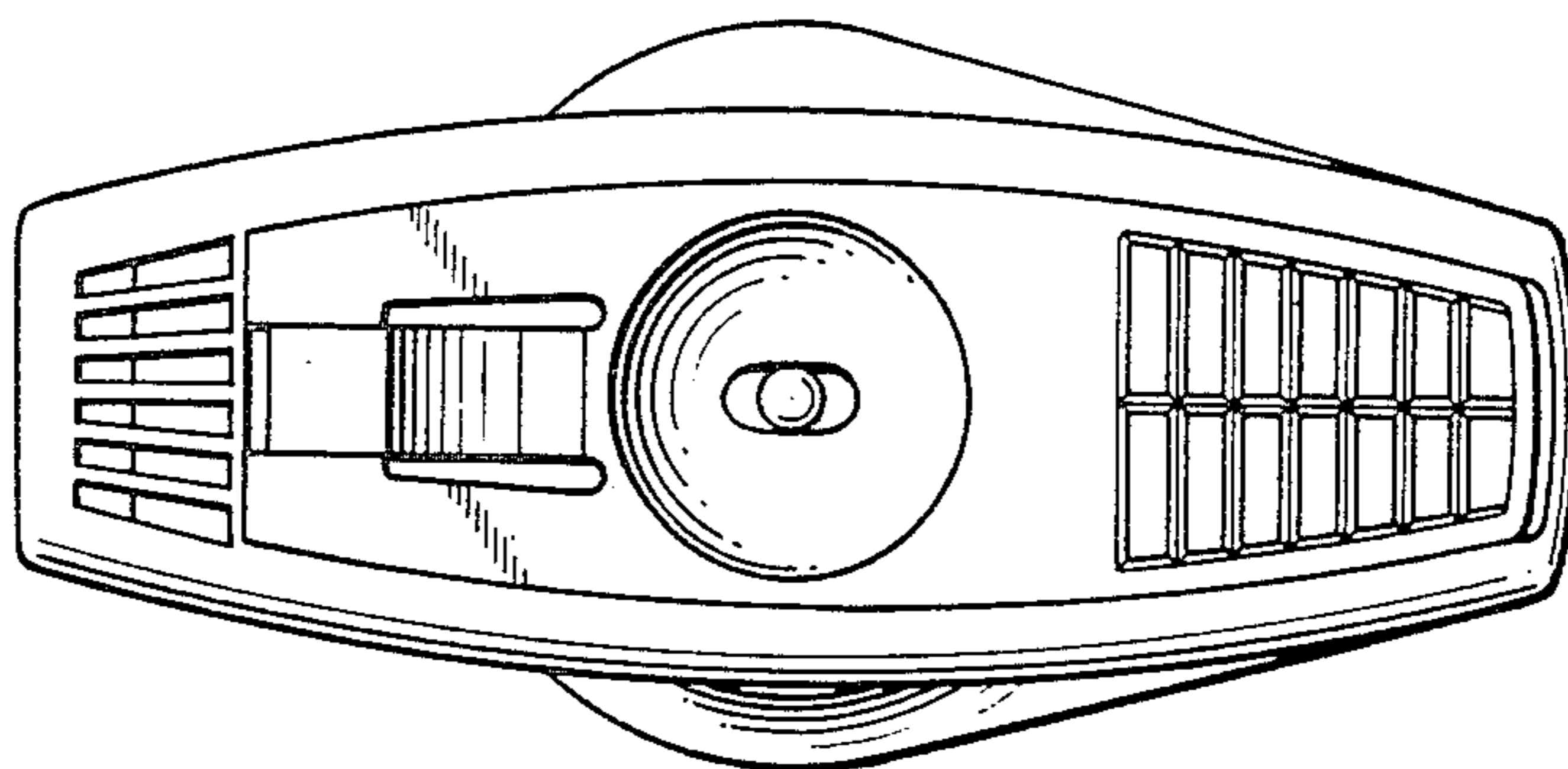


FIG. 3

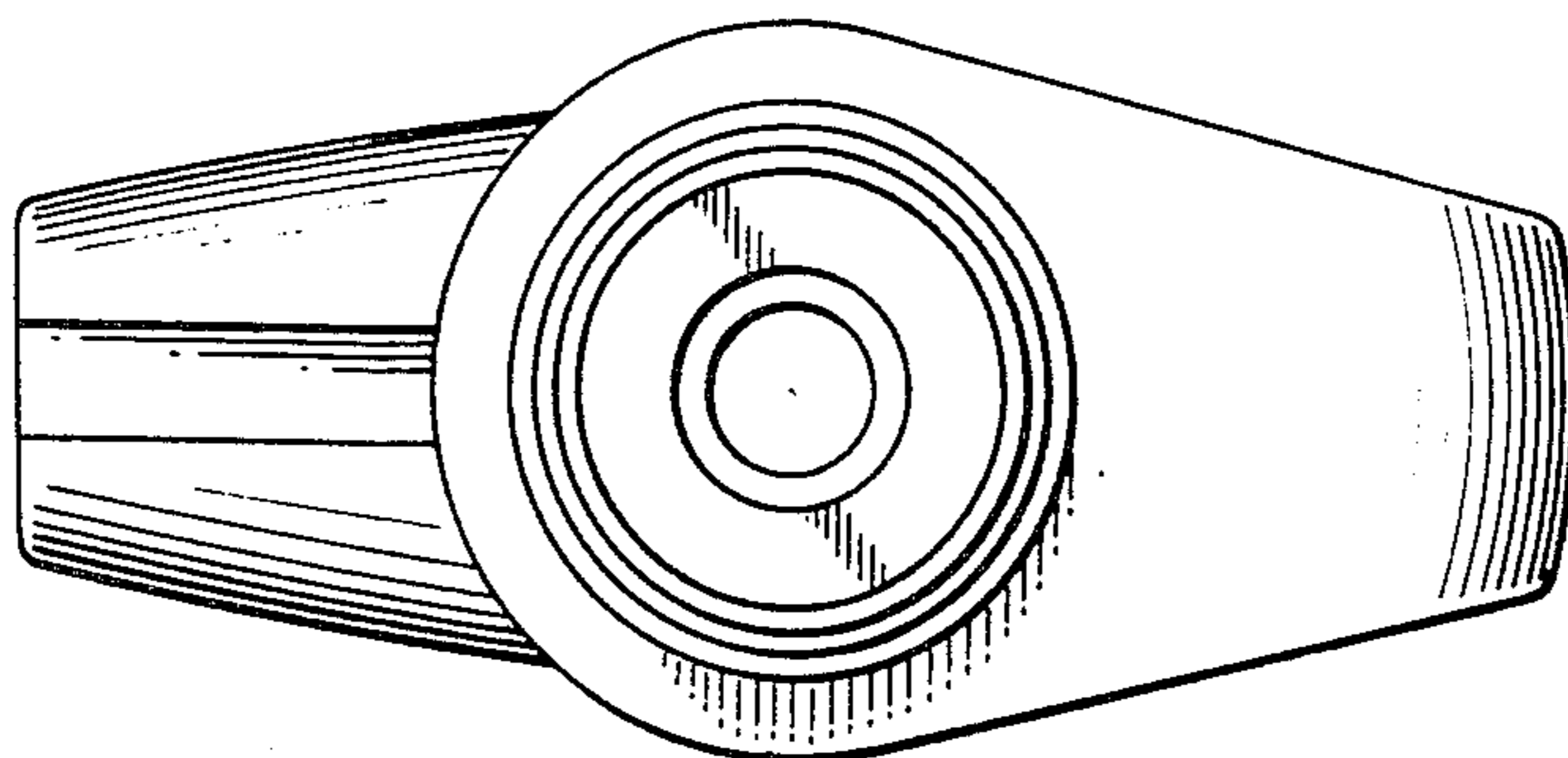


FIG. 4

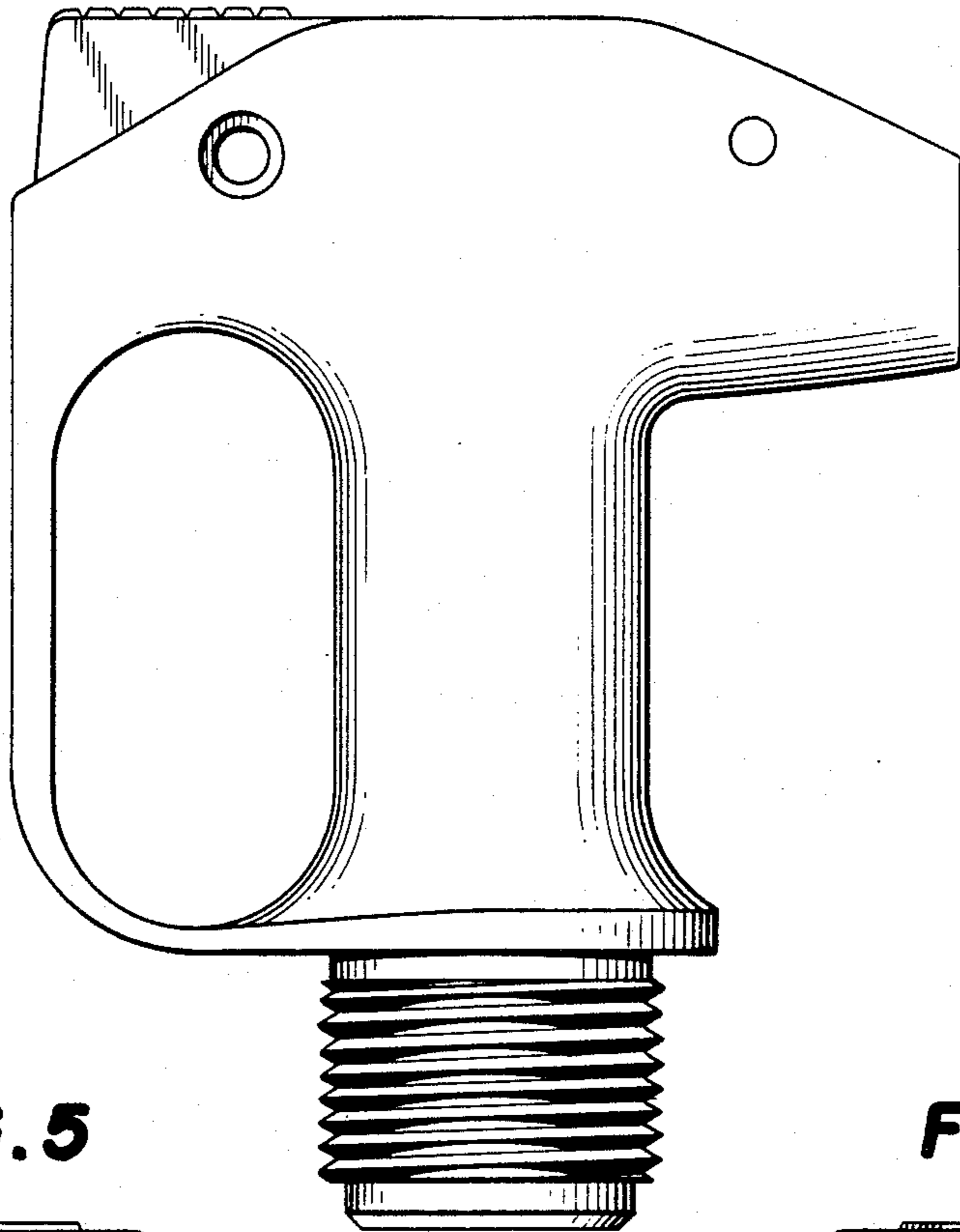


FIG. 5

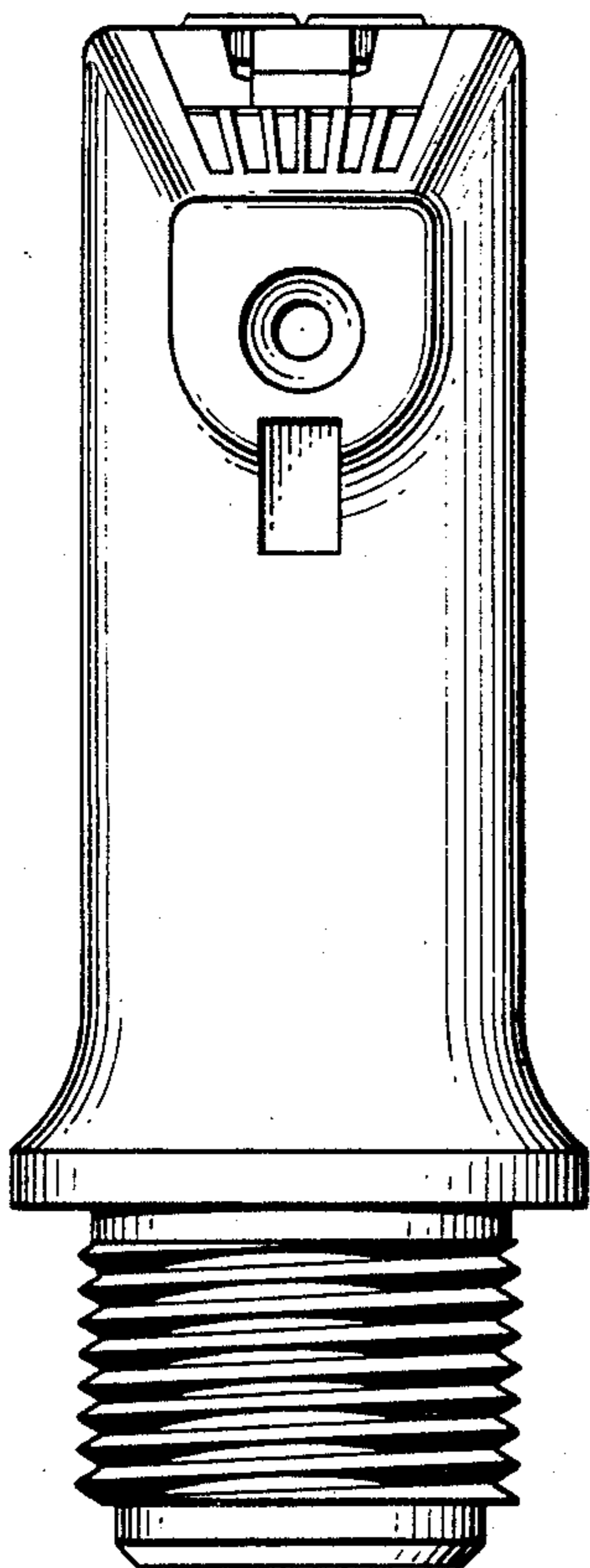


FIG. 6

