

[54] SHAVING CUTTER

[75] Inventor: Shunji Izumi, Matsumoto, Japan

[73] Assignee: Izumi Seimitsu Kogyo Kabushiki Kaisha, Matsumoto, Japan

[**] Term: 14 Years

[21] Appl. No.: 632,225

[22] Filed: Jul. 19, 1984

[52] U.S. Cl. D28/45; D28/50

[58] Field of Search D28/44-54; 30/32, 34 R, 34.1, 41.9, 43, 90, 43.4-43.6, 346.51

[56] References Cited

U.S. PATENT DOCUMENTS

- D. 257,744 12/1980 Van Hemmen et al. D28/47
- 4,258,470 3/1981 Boiten et al. 30/43.6

- 4,262,416 4/1981 Van Hemmen et al. 30/43.6
- 4,343,086 8/1982 de Vries et al. 30/43.6

FOREIGN PATENT DOCUMENTS

- 2850798 5/1979 Fed. Rep. of Germany ... 30/346.51

Primary Examiner—Louis S. Zarfes
Attorney, Agent, or Firm—Birch, Stewart, Kolasch & Birch

[57] CLAIM

The ornamental design for a shaving cutter, as shown and described.

DESCRIPTION

FIG. 1 is a perspective view of a shaving cutter showing my new design;
FIG. 2 is a side elevational view thereof;
FIG. 3 is a top plan view thereof; and
FIG. 4 is a bottom plan view thereof.

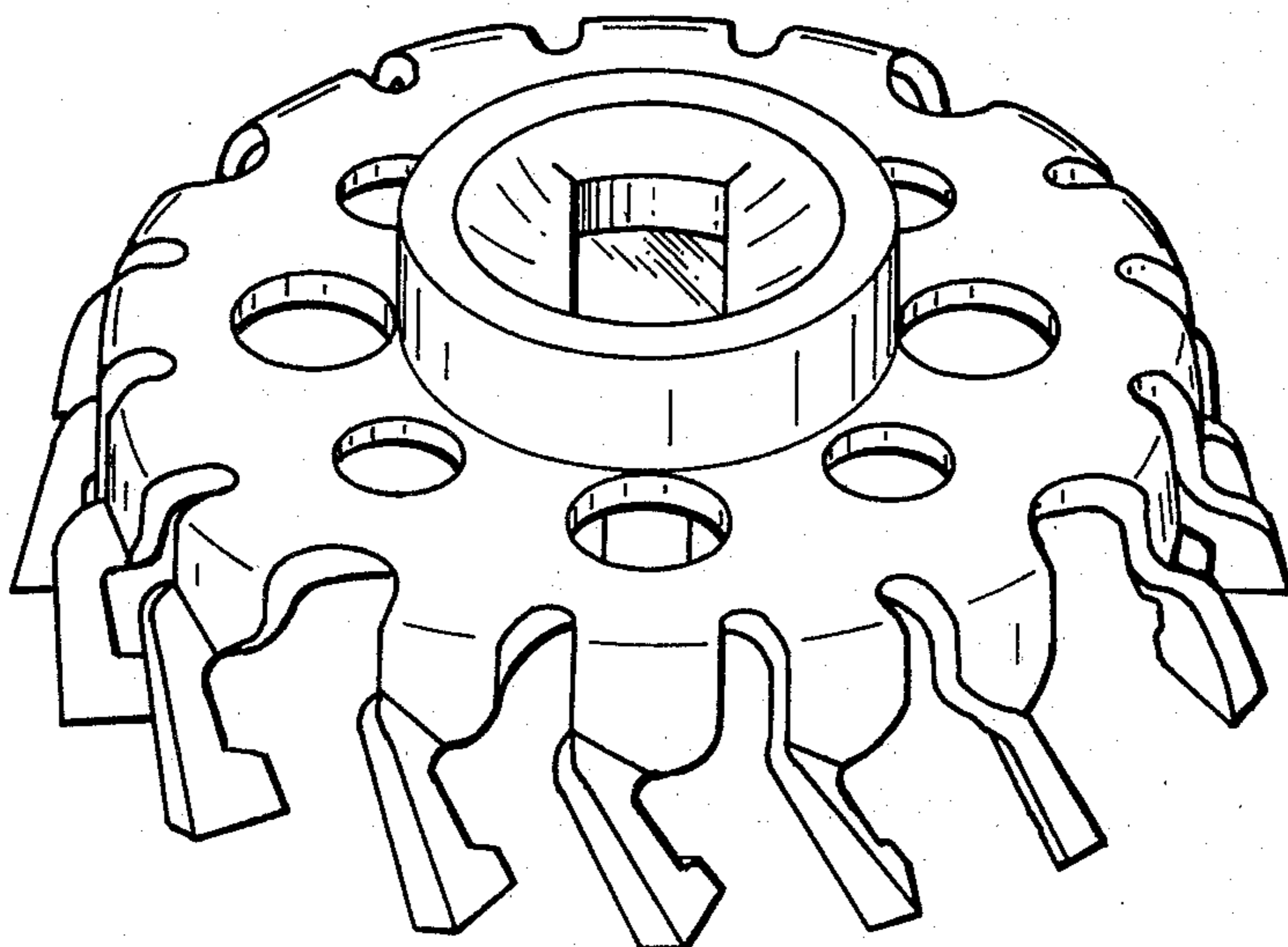


FIG.1

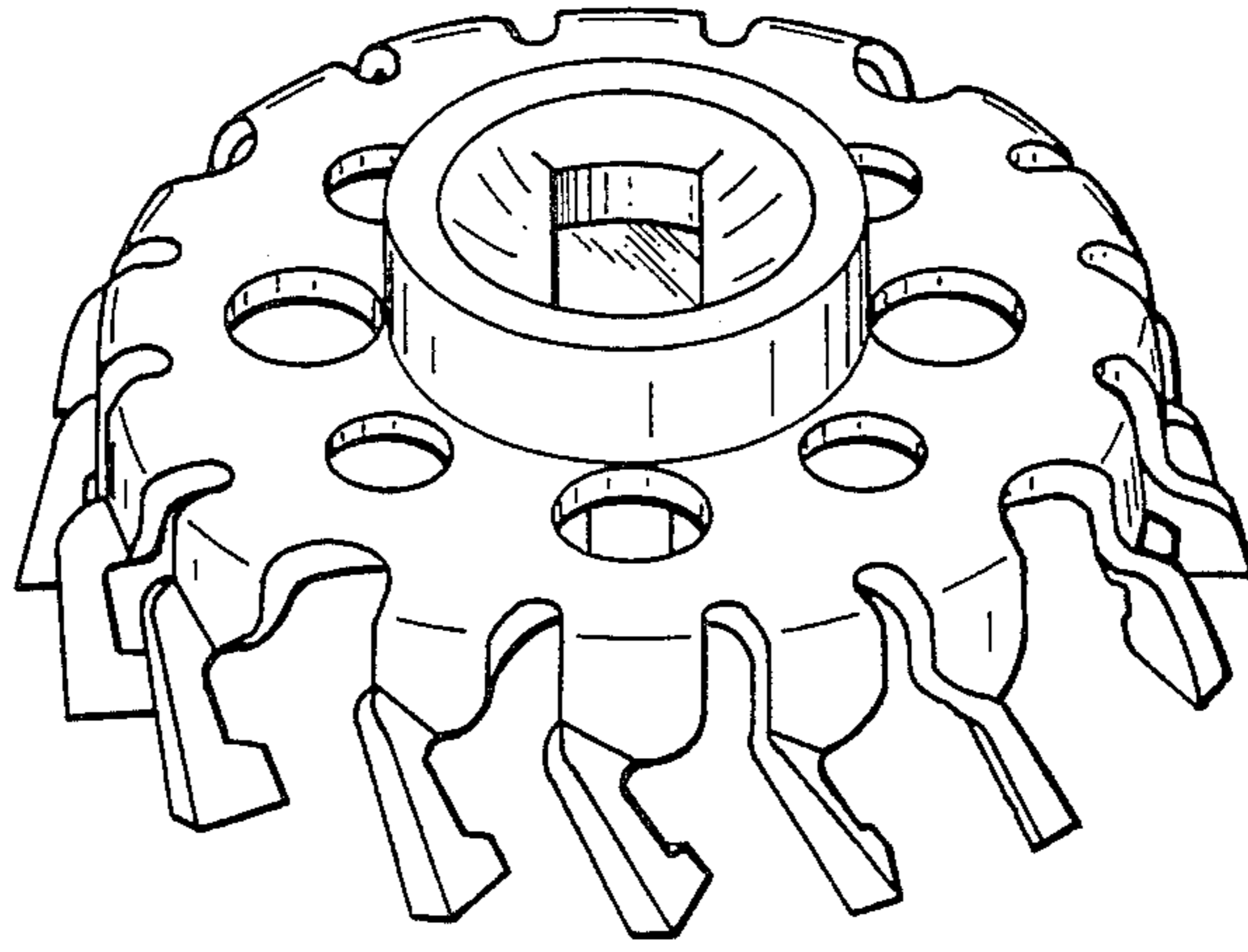


FIG.2

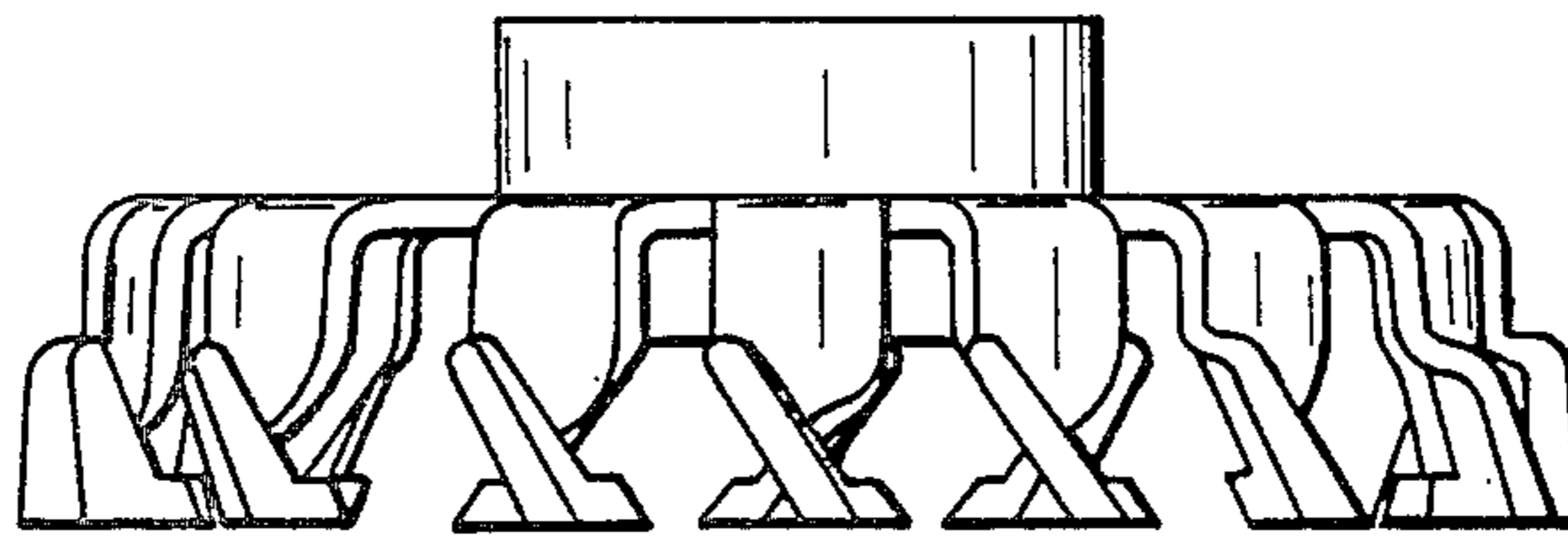


FIG. 3

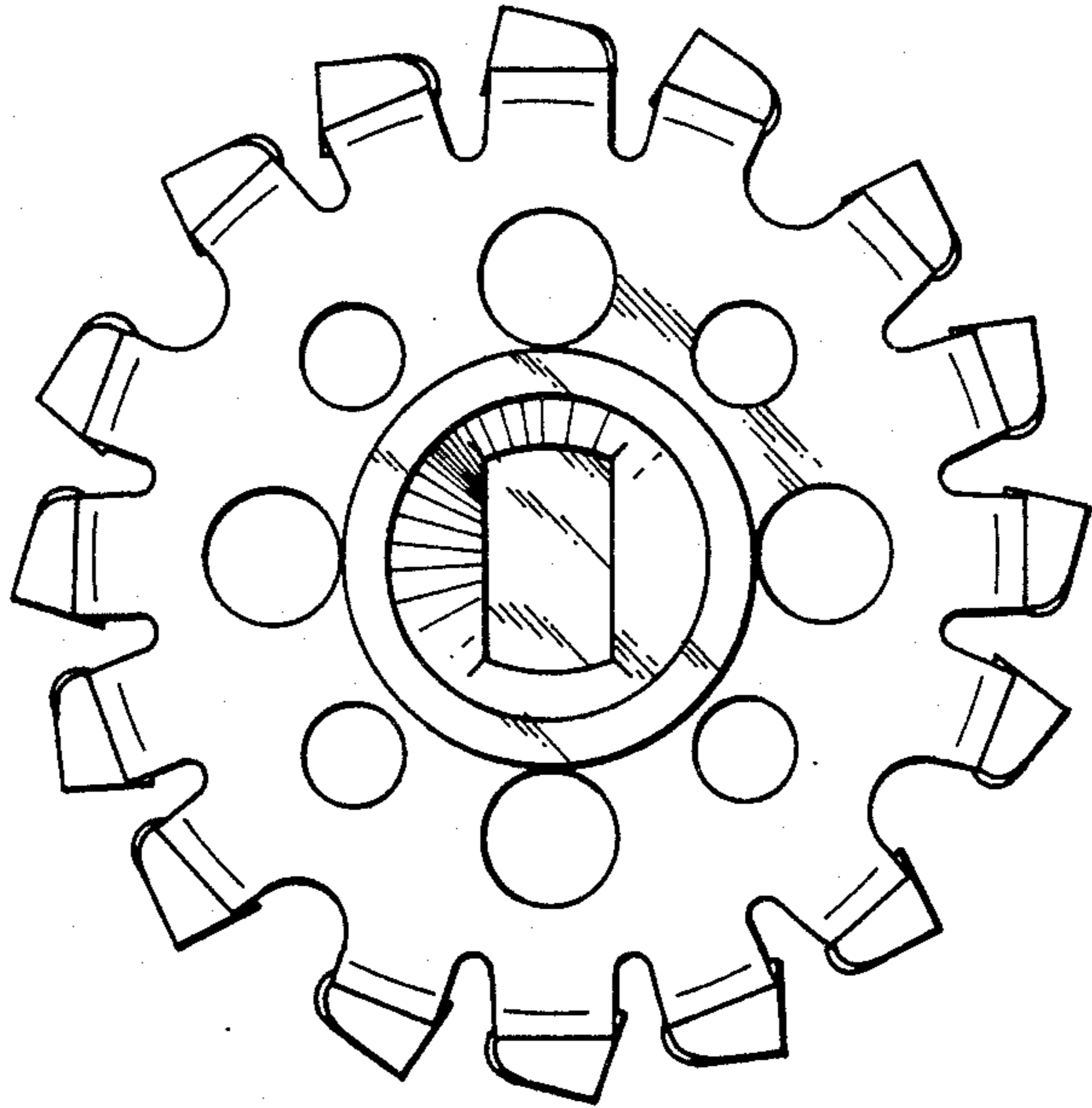


FIG. 4

