

[54] **COMBINED BICYCLE HORN, RADIO AND LIGHT**

[75] **Inventor: Yuen K. Wing, Hong Kong, Hong Kong**

[73] **Assignee: Rattner Enterprises Limited, Hong Kong**

[**] **Term: 14 Years**

[21] **Appl. No.: 648,438**

[22] **Filed: Sep. 10, 1984**

[30] **Foreign Application Priority Data**

Mar. 12, 1984 [GB] United Kingdom 1018453

Aug. 6, 1984 [GB] United Kingdom 1021351

[52] **U.S. Cl. D26/34; D10/120**

[58] **Field of Search D26/28-36, D26/52; 362/61, 72; 340/84, 87, 88, 134; D10/120; D14/70, 74**

[56] **References Cited**

U.S. PATENT DOCUMENTS

D. 223,469 4/1972 Franklin D26/34

D. 239,868 5/1976 Pinsler et al. D26/34 X

D. 249,181 8/1978 Glasenapp et al. D26/29

FOREIGN PATENT DOCUMENTS

138356 10/1979 Fed. Rep. of Germany 362/72

OTHER PUBLICATIONS

Incentive Marketing, 7-1969, p. 79, Combined Bicycle Light & Radio.

Primary Examiner—Susan J. Lucas
Attorney, Agent, or Firm—Pollock, Vande Sande & Priddy

[57] **CLAIM**

The ornamental design for a combined bicycle horn, radio and light, as shown and described.

DESCRIPTION

FIG. 1 is a front, right side perspective view of a combined bicycle horn, radio and light showing my new design;

FIG. 2 is a left side elevational view thereof;

FIG. 3 is a rear elevational view thereof;

FIG. 4 is a bottom plan view thereof;

FIG. 5 is a front, right side perspective view thereof with the radio antenna in a raised position;

FIG. 6 is a bottom plan view thereof with the bottom bracket detached to show the radio speaker on the bottom surface of the housing;

FIG. 7 is a front, right side perspective view of a second embodiment of my new design;

FIG. 8 is a left side elevational view thereof;

FIG. 9 is a rear elevational view thereof;

FIG. 10 is a bottom plan view thereof;

FIG. 11 is a front, right side perspective view thereof with the radio antenna in a raised position;

FIG. 12 is a bottom plan view thereof with the bottom bracket detached to show the radio speaker on the bottom surface of the housing.

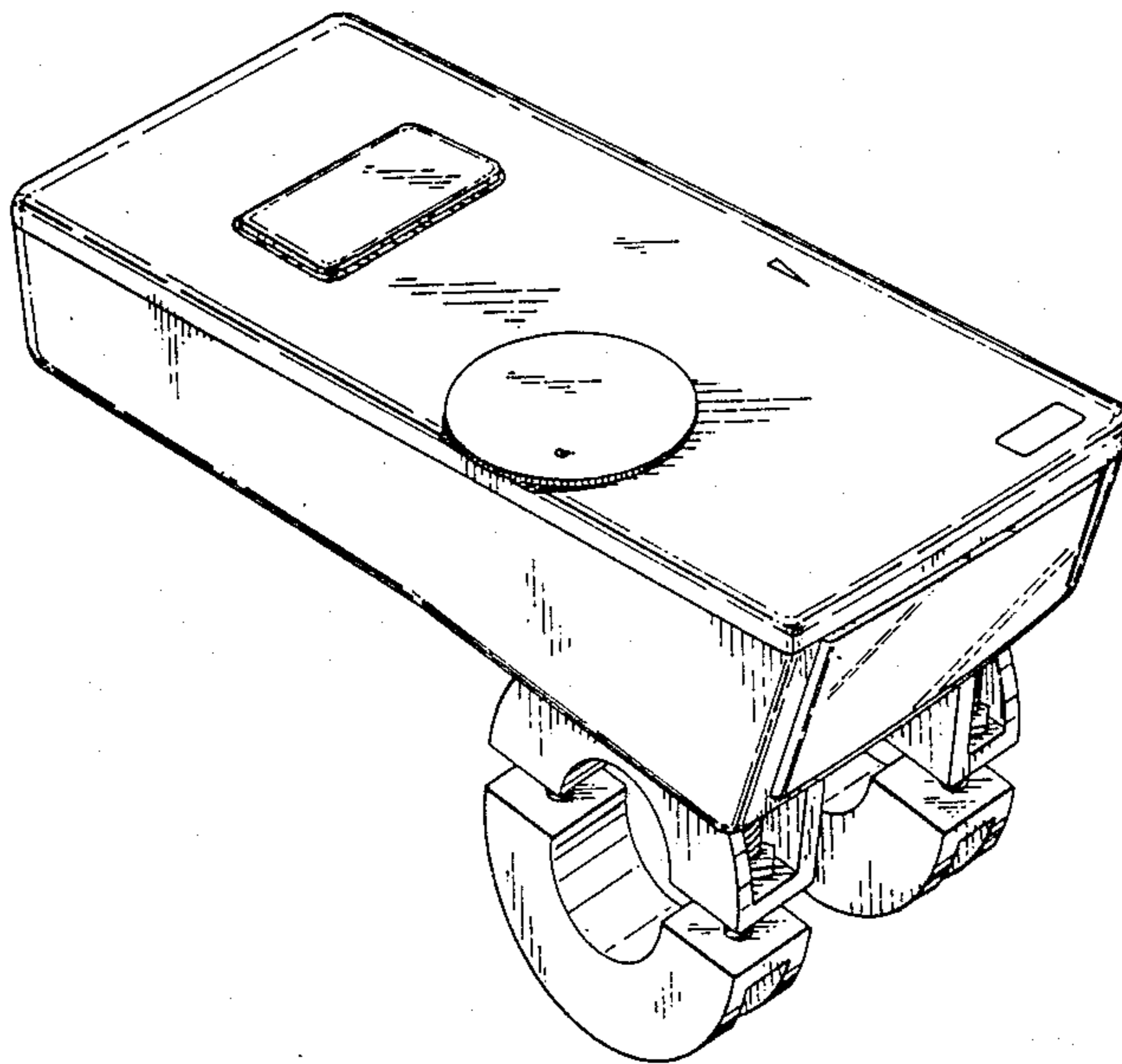


FIG. 1.

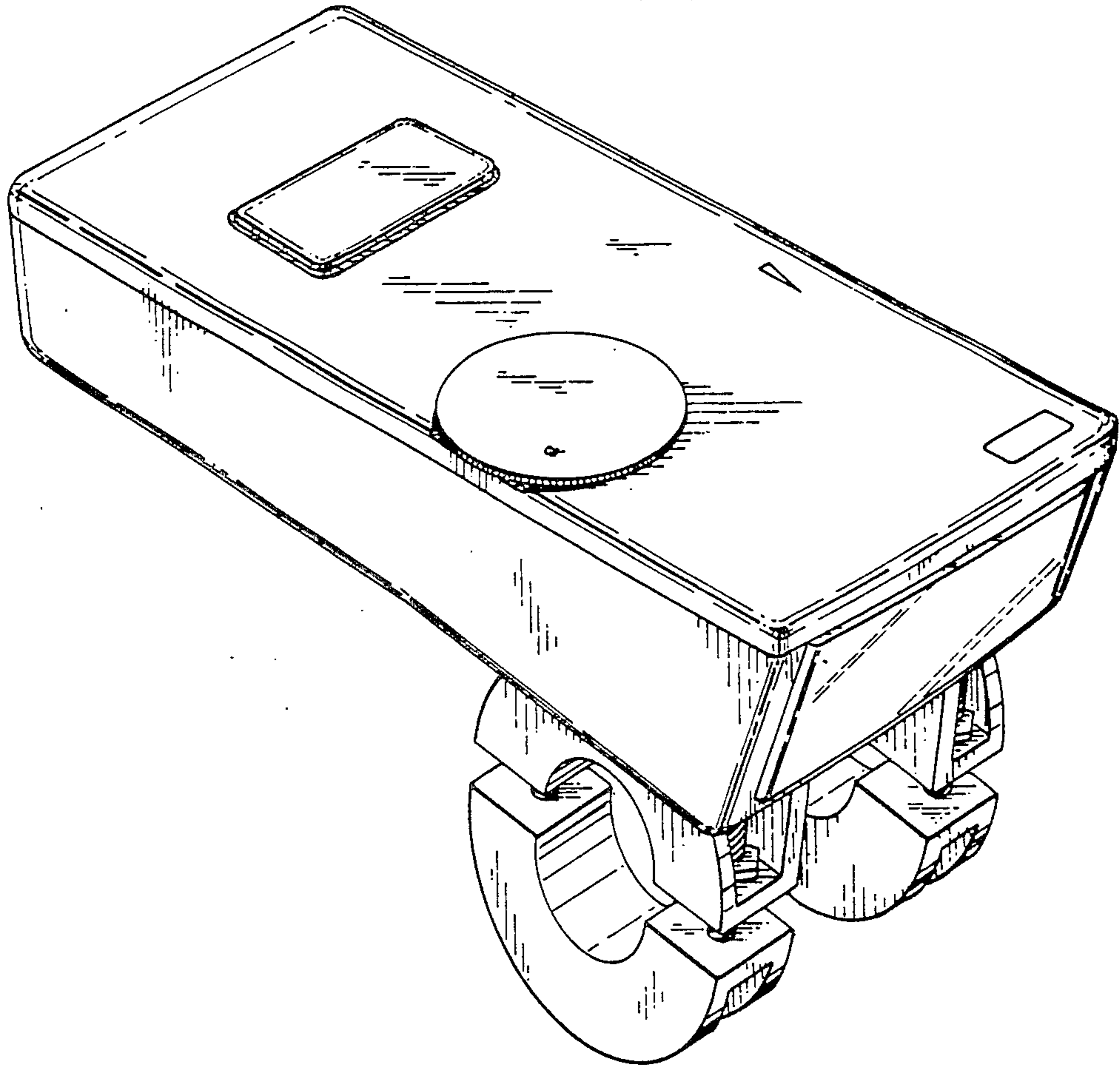
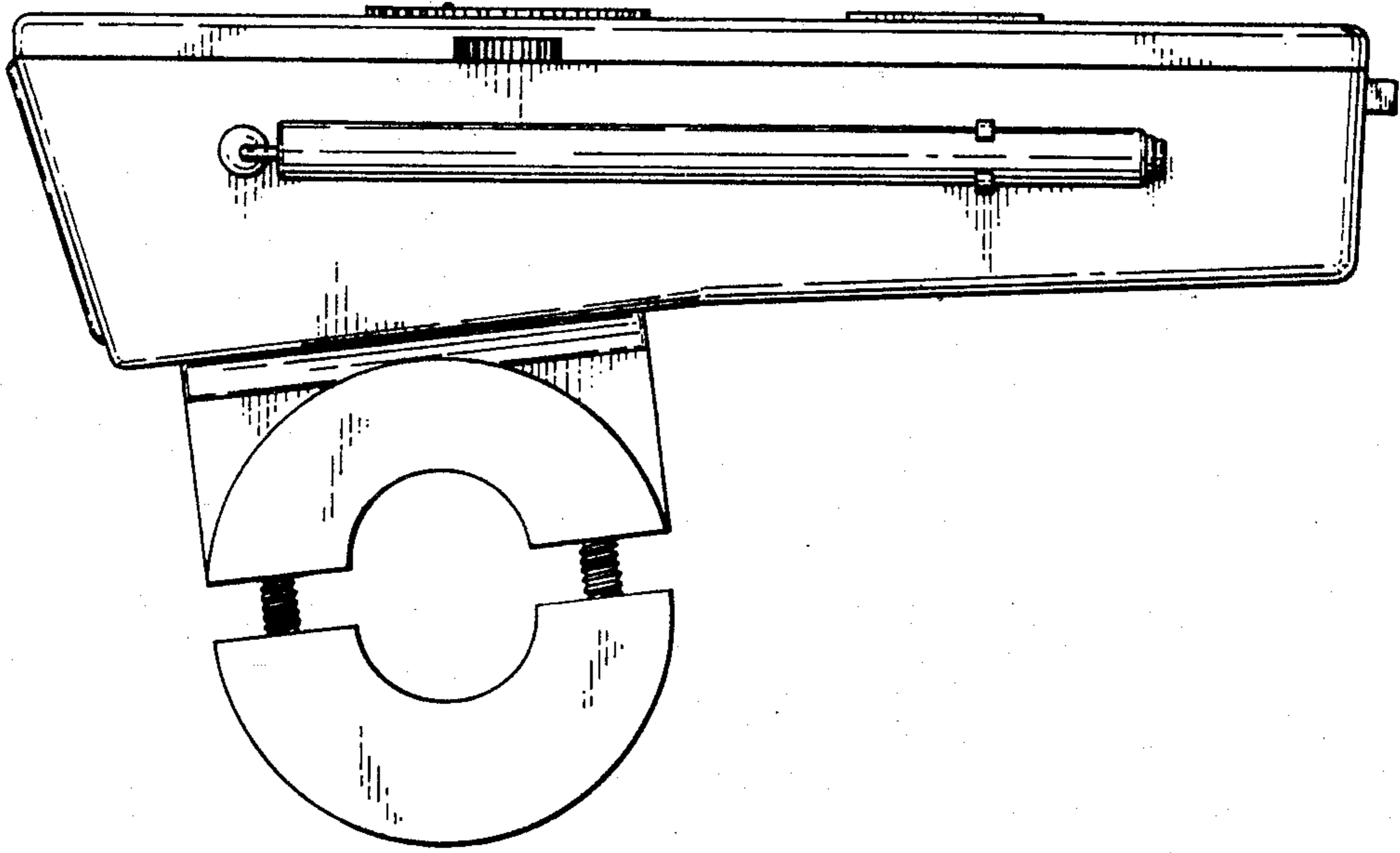


FIG. 2.



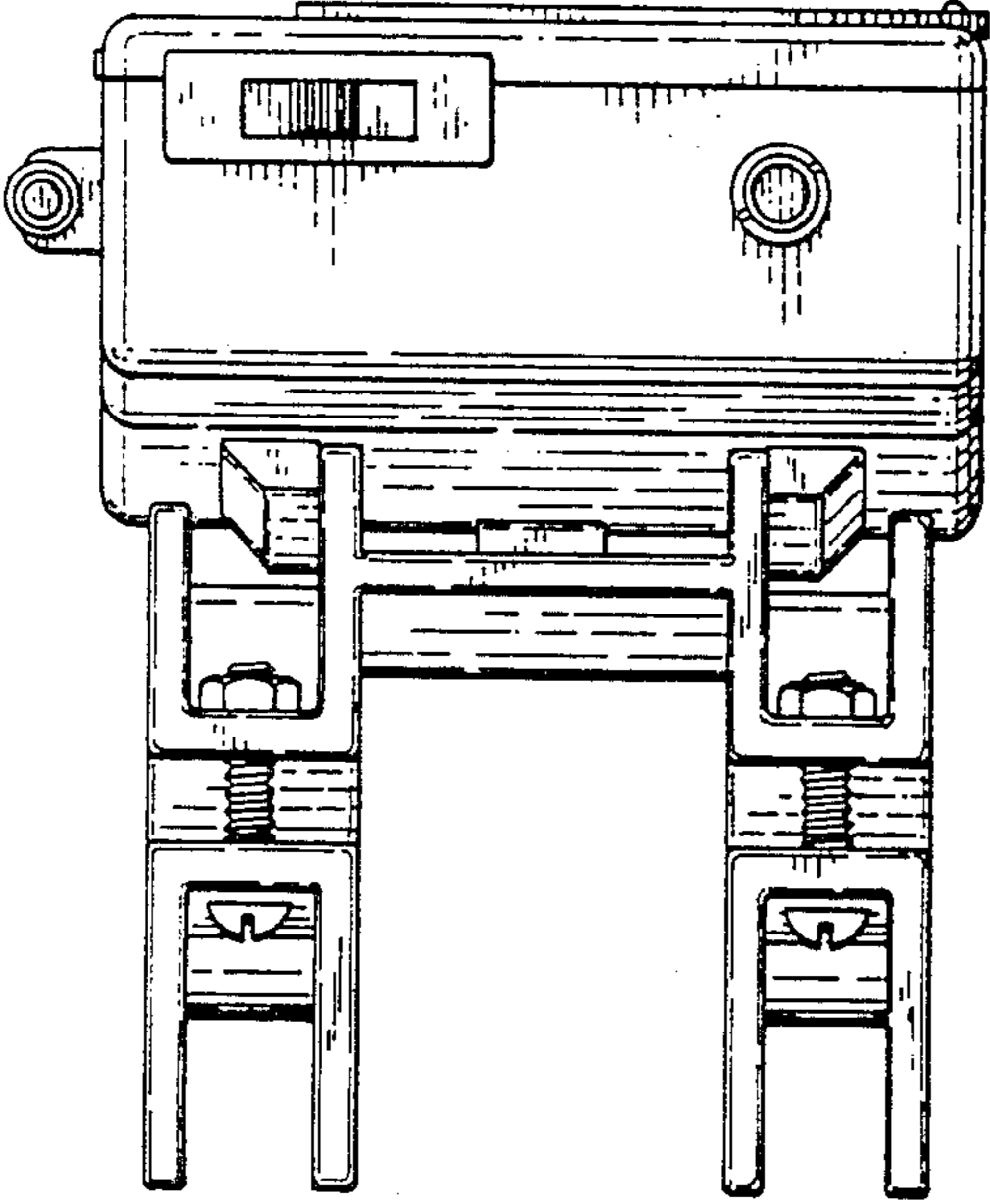


FIG. 3.

FIG. 4.

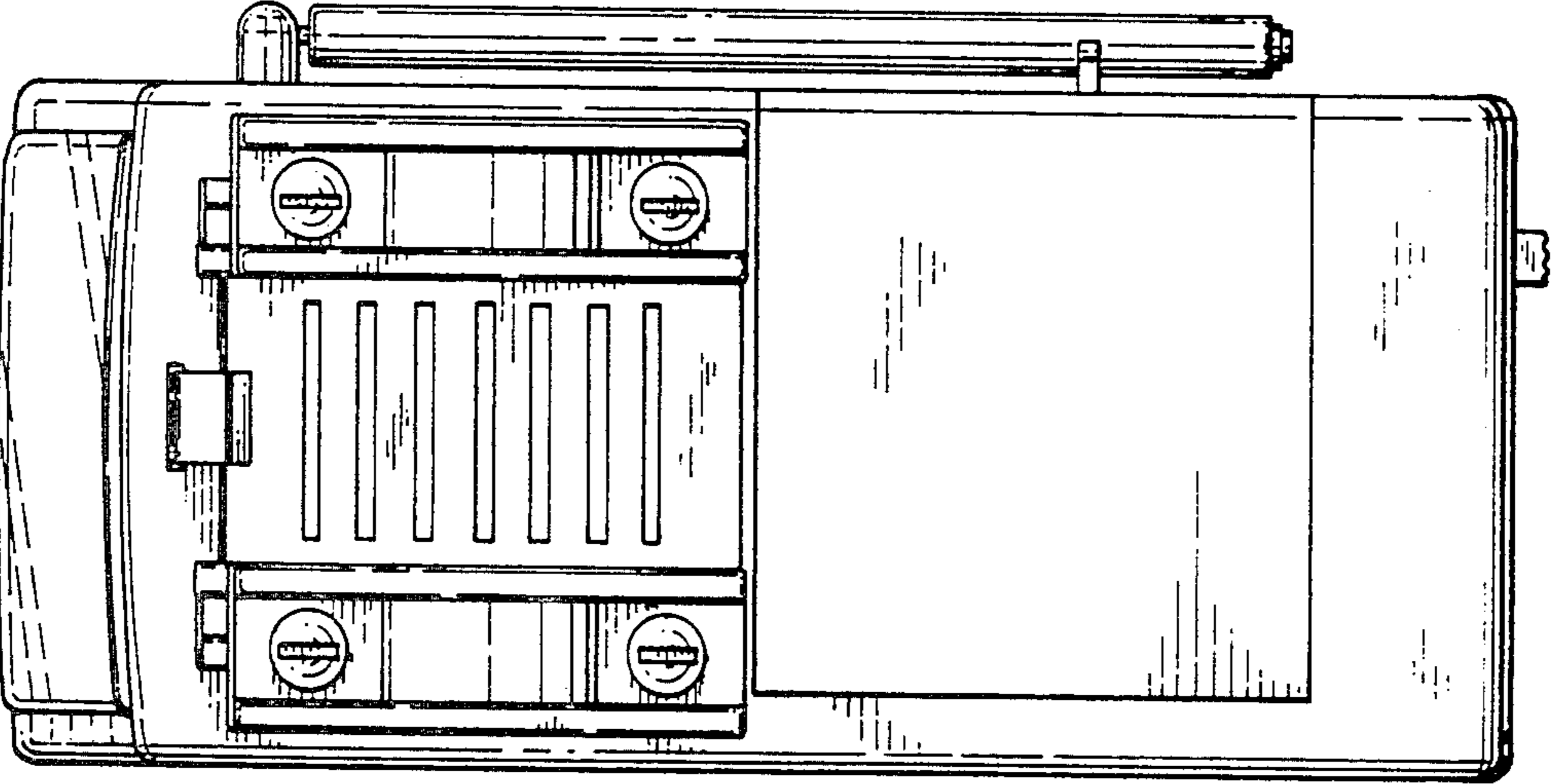
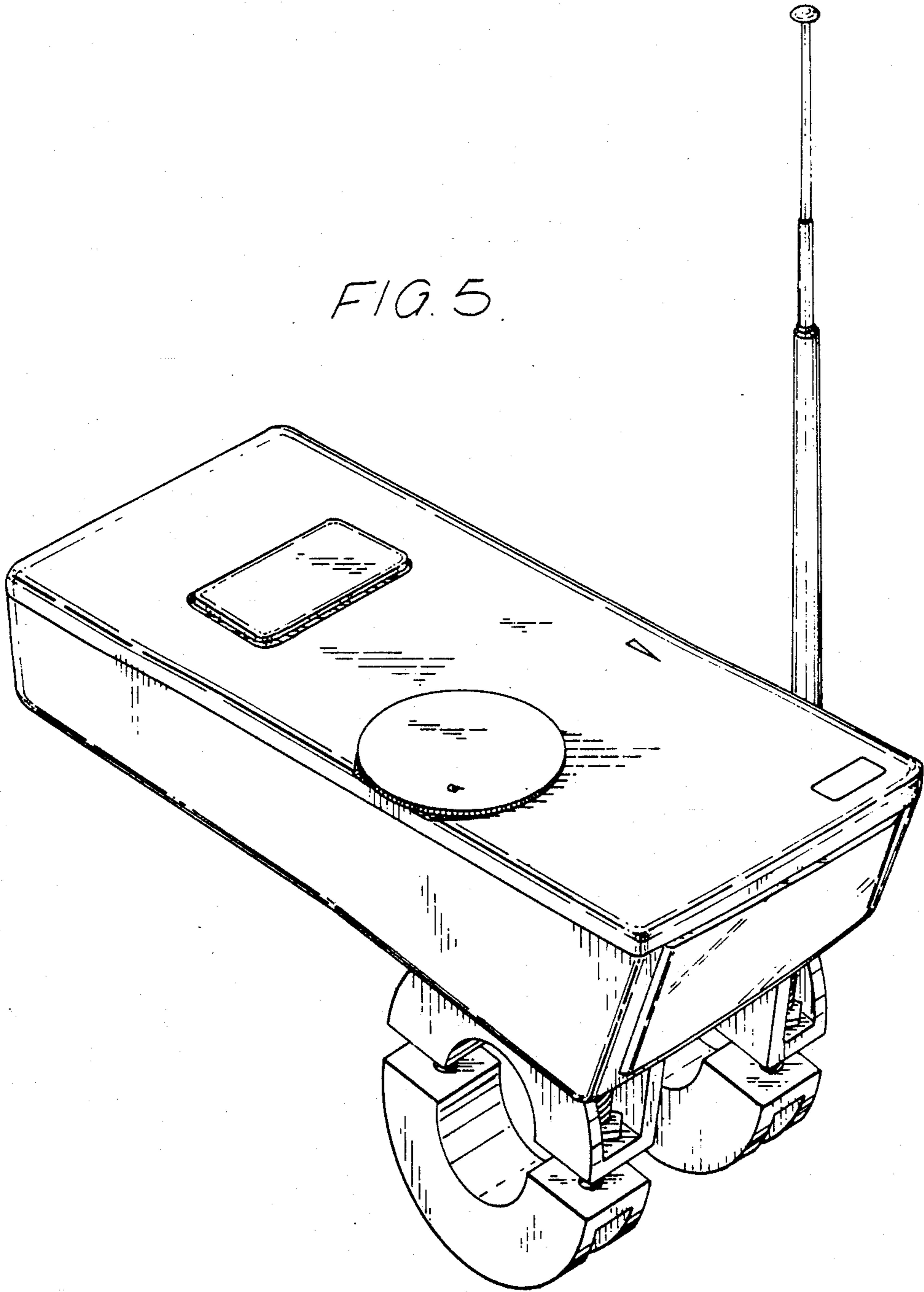


FIG. 5.



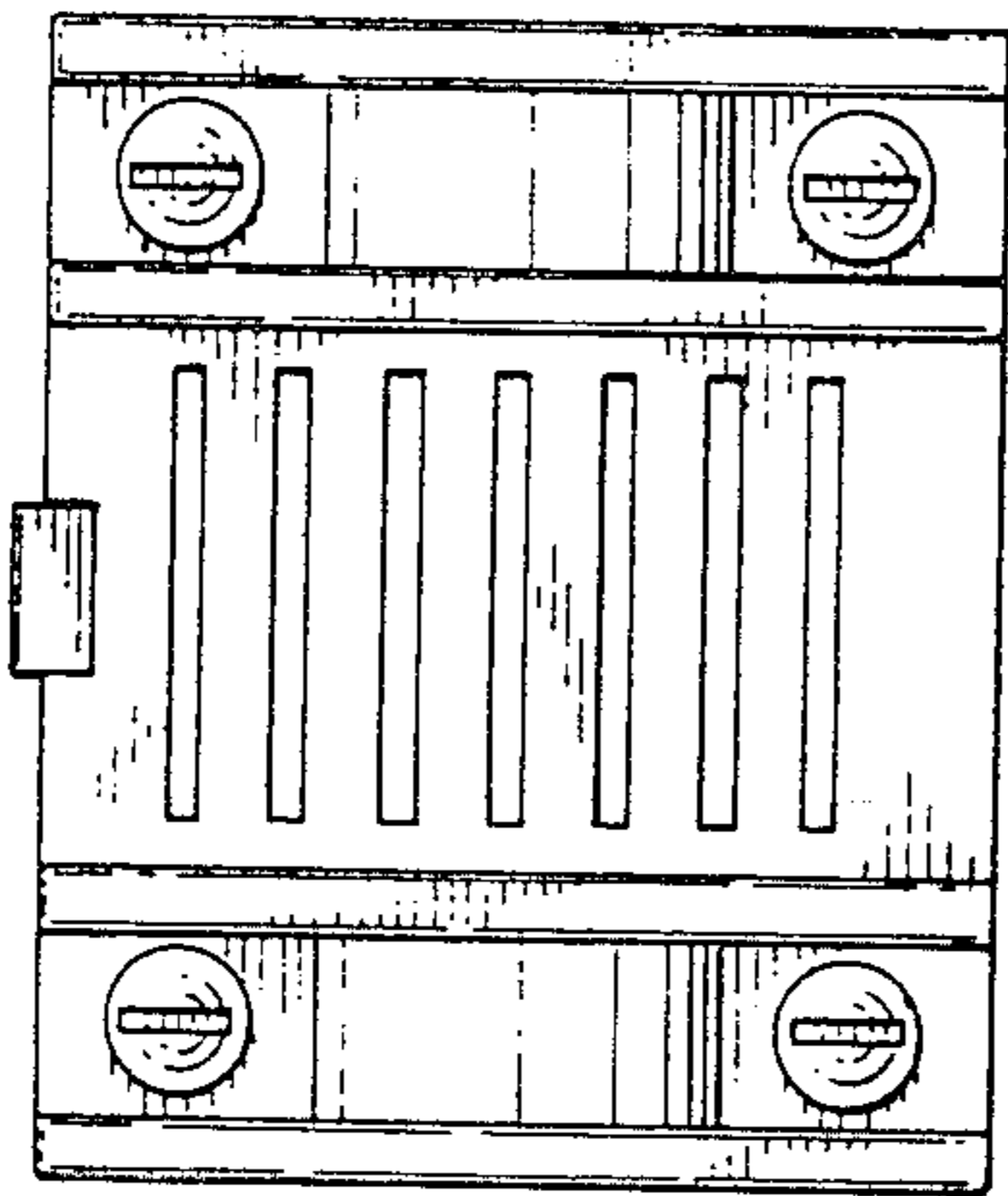


FIG. 6.

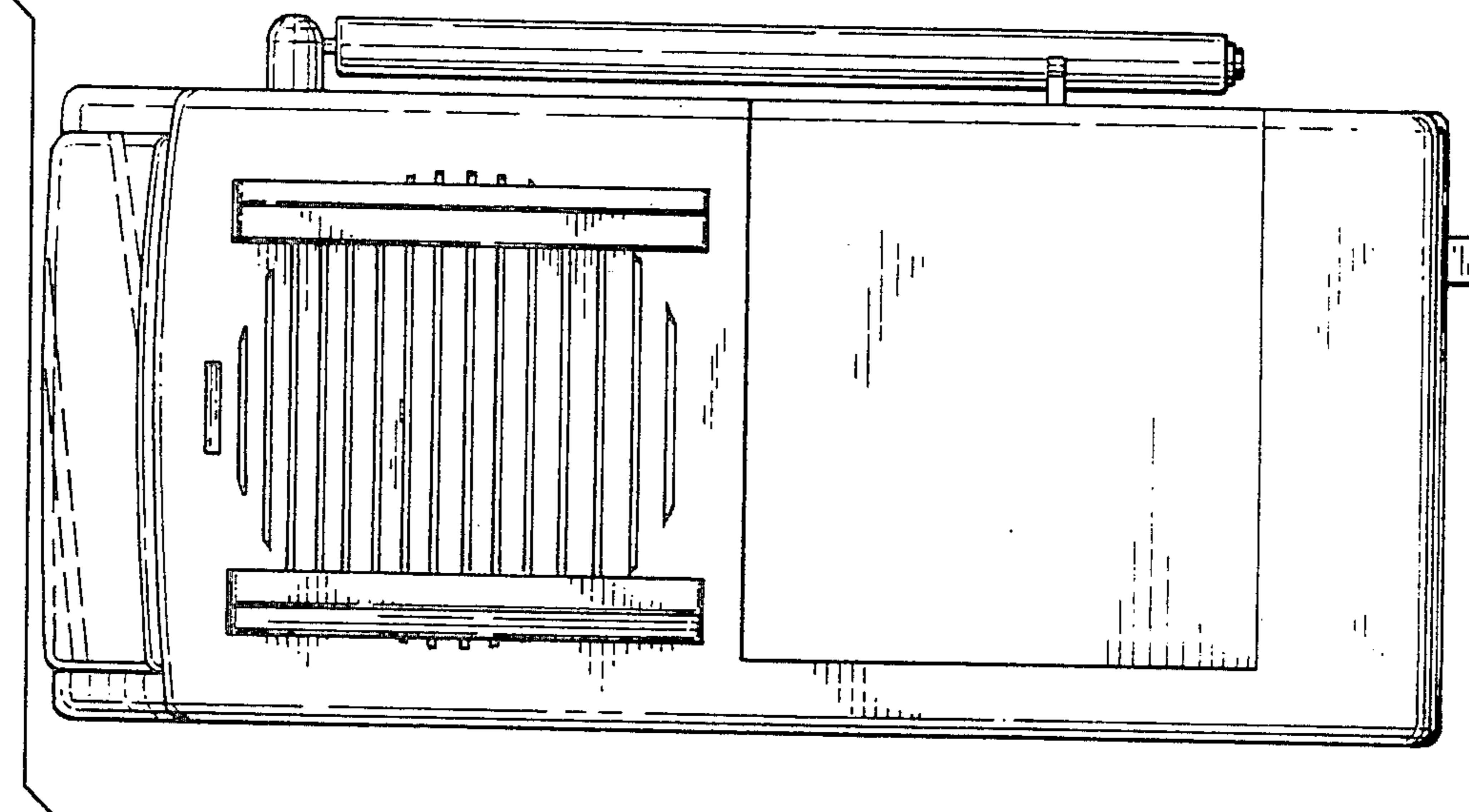


FIG. 7.

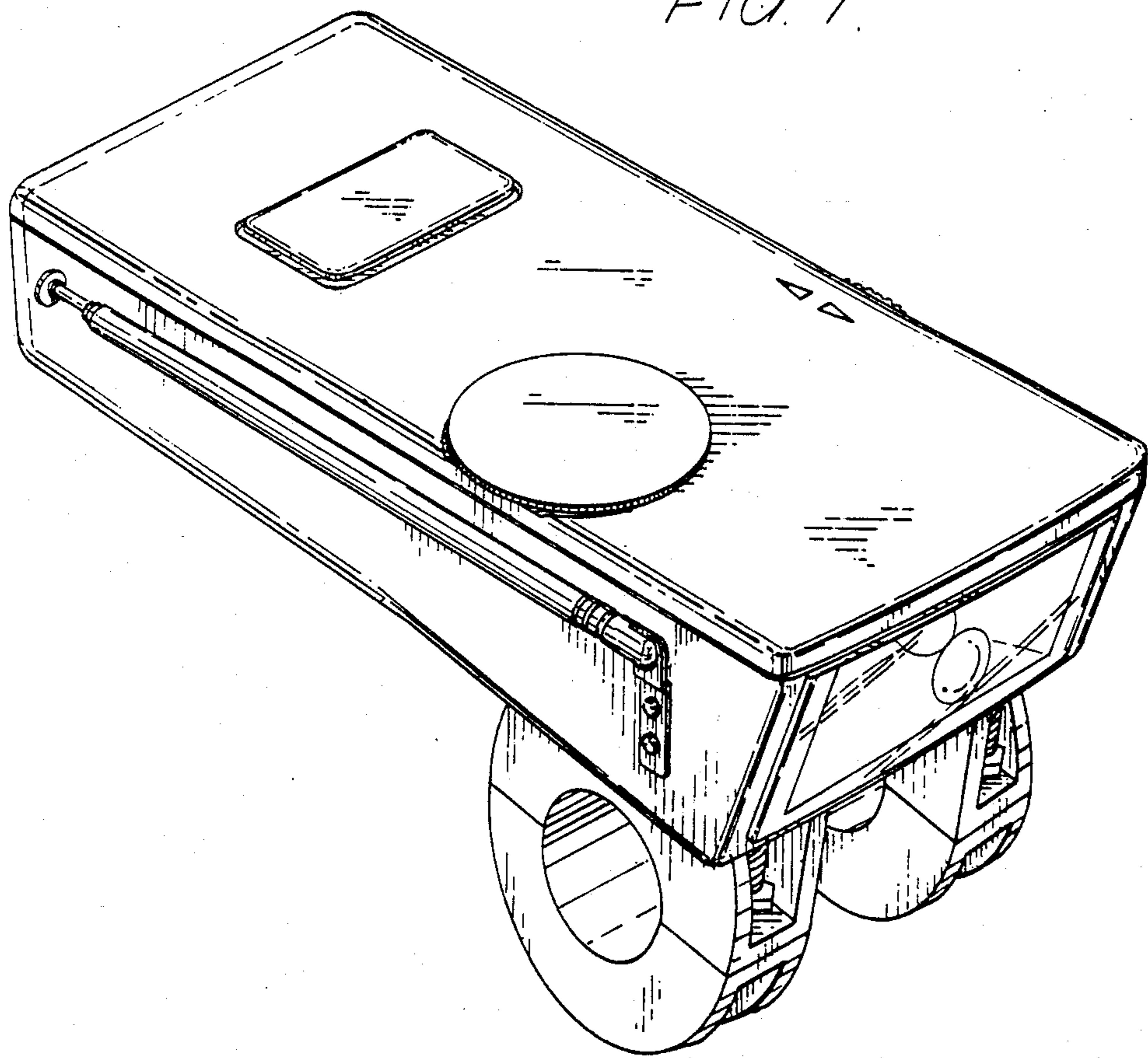
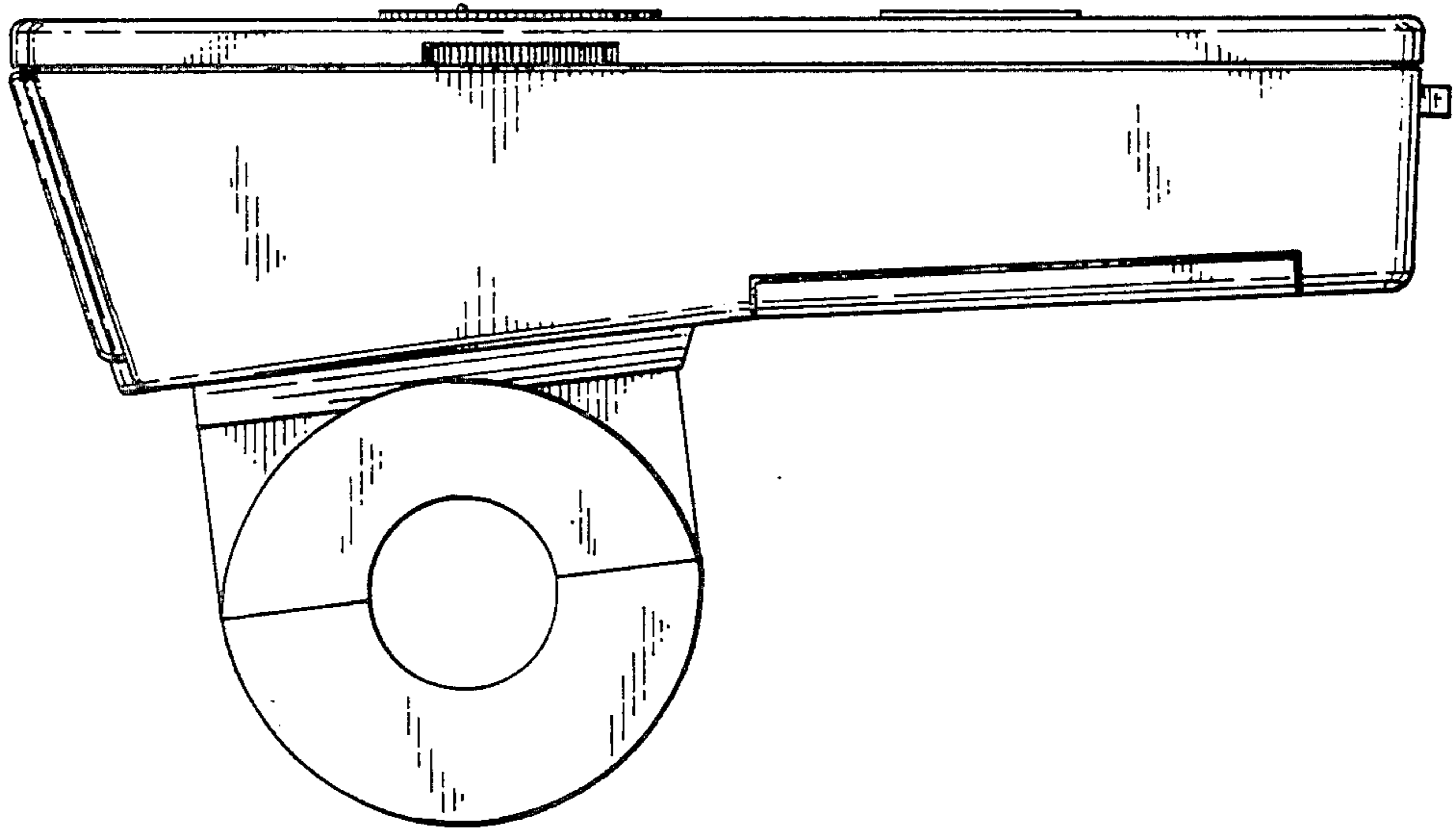


FIG. 8.



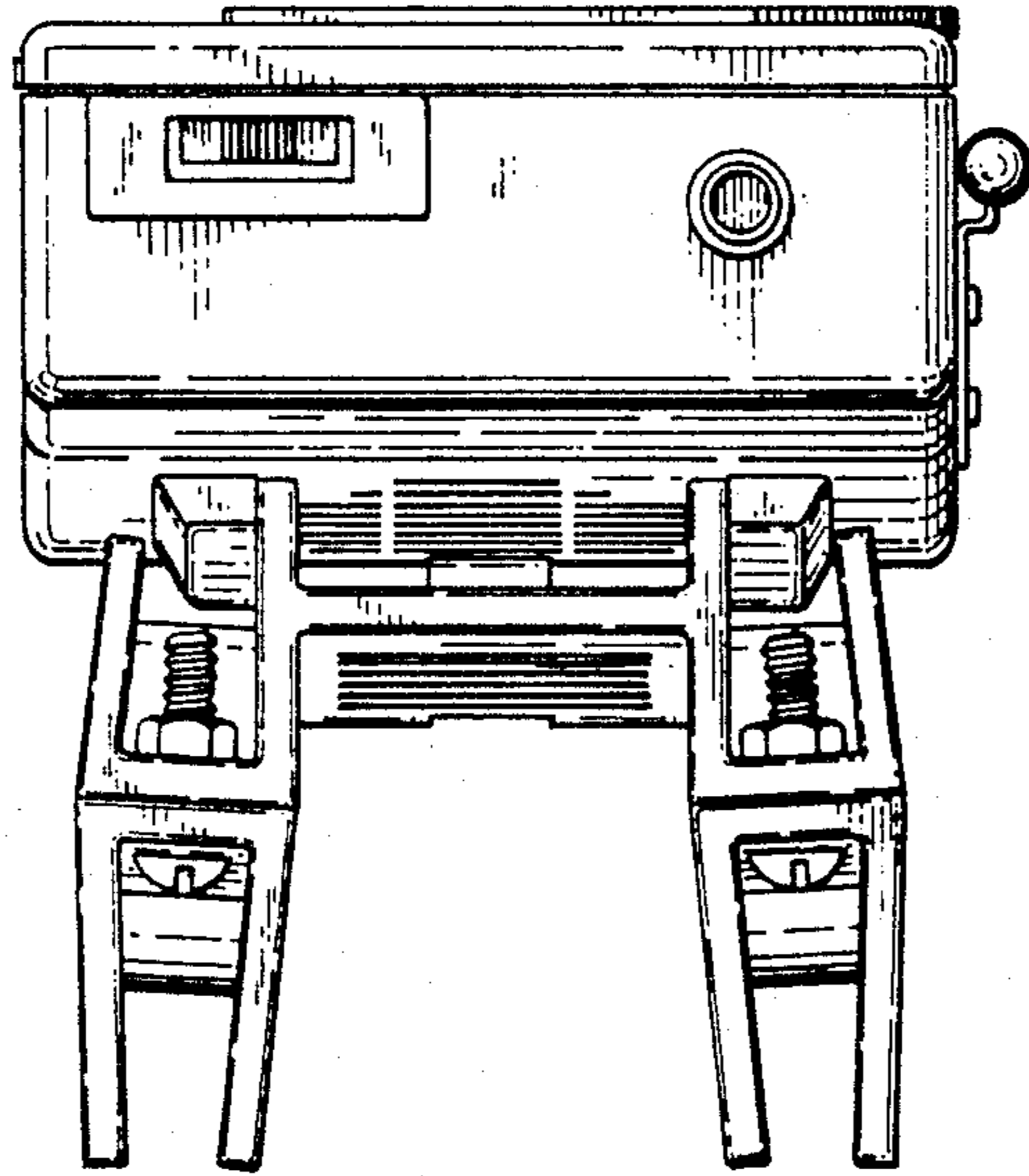
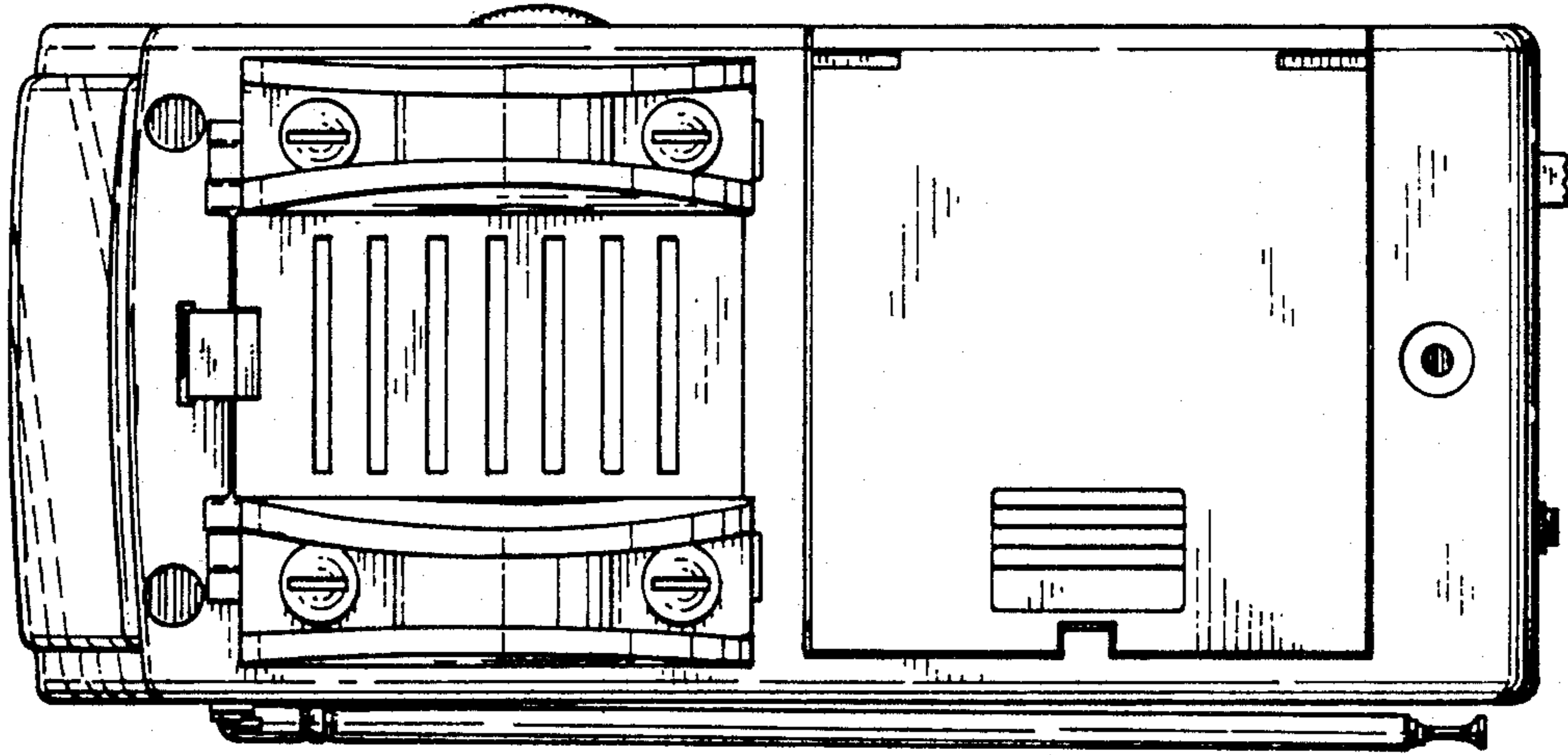
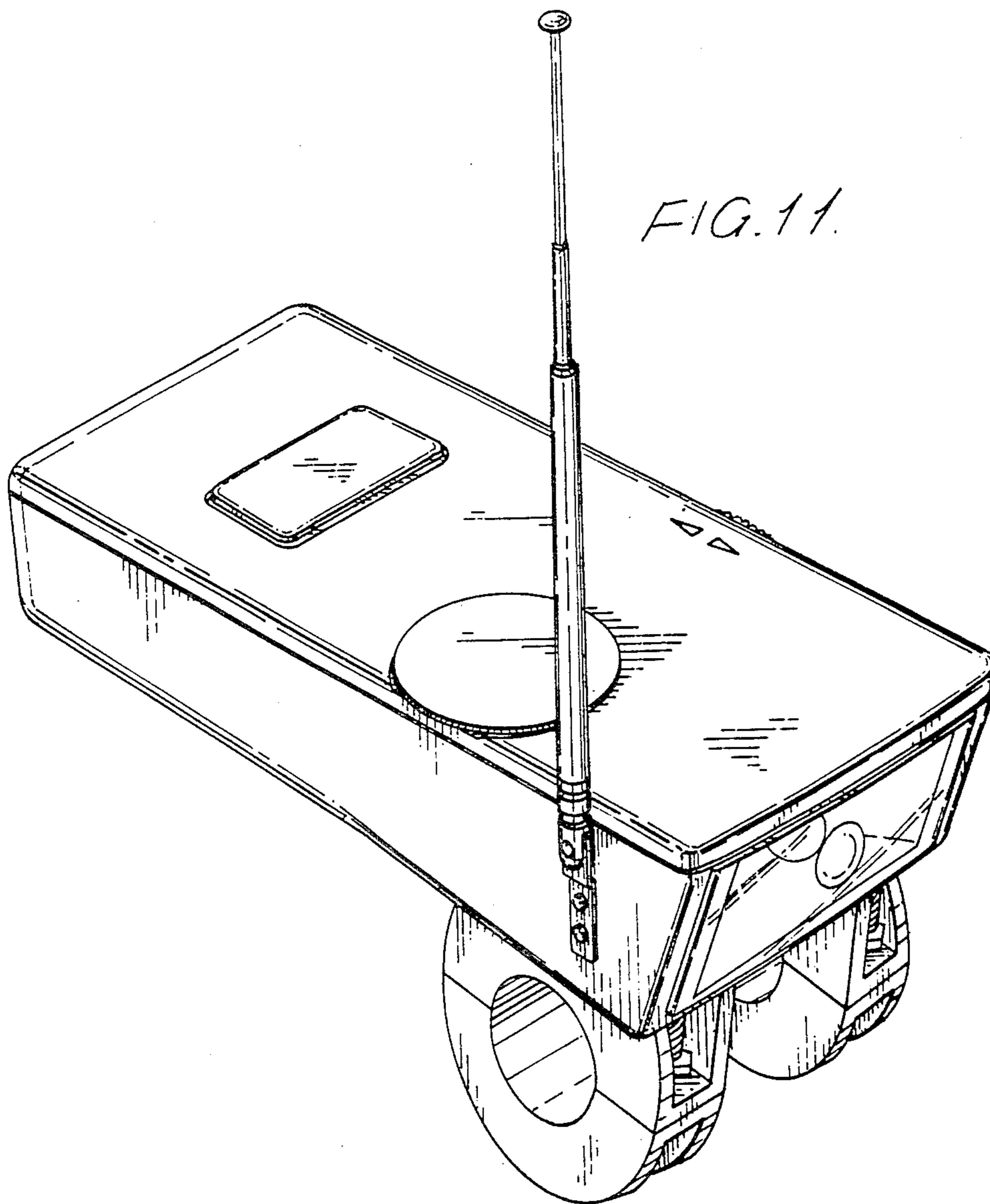


FIG. 9.

FIG. 10.





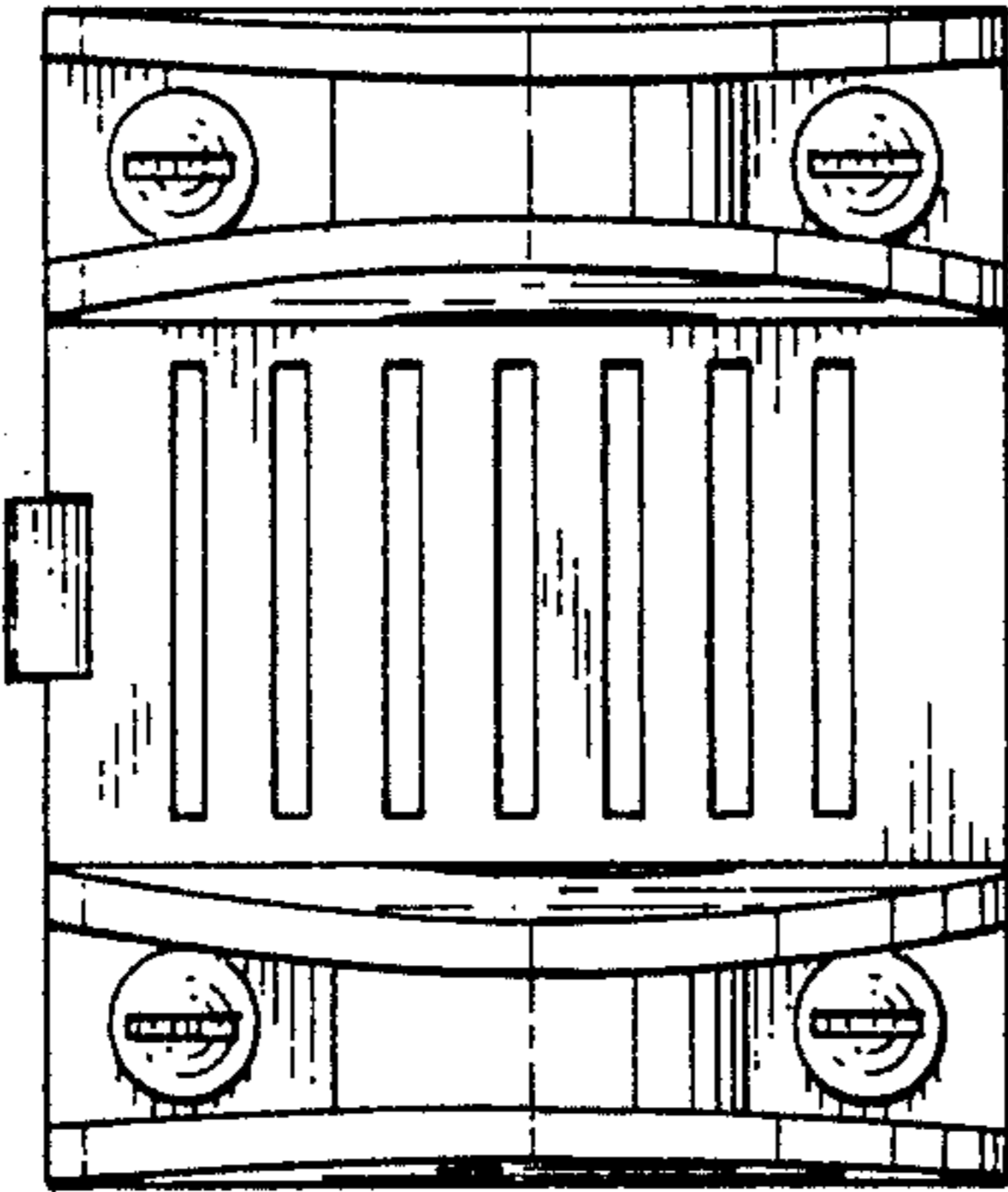


FIG. 12.

