

[54] WHIRLPOOL BATH TUB

[75] Inventors: **Ralph D'Innocente**, Walnut Creek; **Larry Drasin**, Los Angeles, both of Calif.

[73] Assignee: **Jacuzzi Inc.**, Little Rock, Ark.

[\*] Notice: The portion of the term of this patent subsequent to Nov. 11, 2000 has been disclaimed.

[\*\*] Term: **14 Years**

[21] Appl. No.: **754,467**

[22] Filed: **Jul. 15, 1985**

[52] U.S. Cl. .... **D24/38; D24/36; D23/55**

[58] Field of Search ..... **D24/38, 36; D23/55, D23/56, 49; 128/369, 66; 4/538, 546, 548, 552, 559, 560, 576, 580, 584, 566, 579, 488, 513, 568, 590; D25/2**

[56] **References Cited**

**U.S. PATENT DOCUMENTS**

- D. 214,902 8/1969 Goodall ..... D23/55
- D. 219,215 11/1970 Korol ..... D23/55
- D. 254,870 4/1980 Ogden ..... D24/38

- D. 265,345 7/1982 Doman ..... D24/38
- D. 265,582 7/1982 Kohler, Jr. .... D23/55
- D. 265,922 4/1982 Jasperson ..... D23/55
- D. 269,460 6/1983 Kohler, Jr. .... D24/38
- D. 275,597 9/1984 Lax ..... D23/55
- 2,534,147 12/1950 Rodman .
- 4,316,294 2/1982 Baldwin ..... 4/538 X

*Primary Examiner*—A. Hugo Word  
*Assistant Examiner*—Stella M. Reid  
*Attorney, Agent, or Firm*—Limbach, Limbach & Sutton

[57] **CLAIM**

The ornamental design for a whirlpool bath tub, as shown and described.

**DESCRIPTION**

FIG. 1 is a perspective view of a whirlpool bath tub showing our new design;

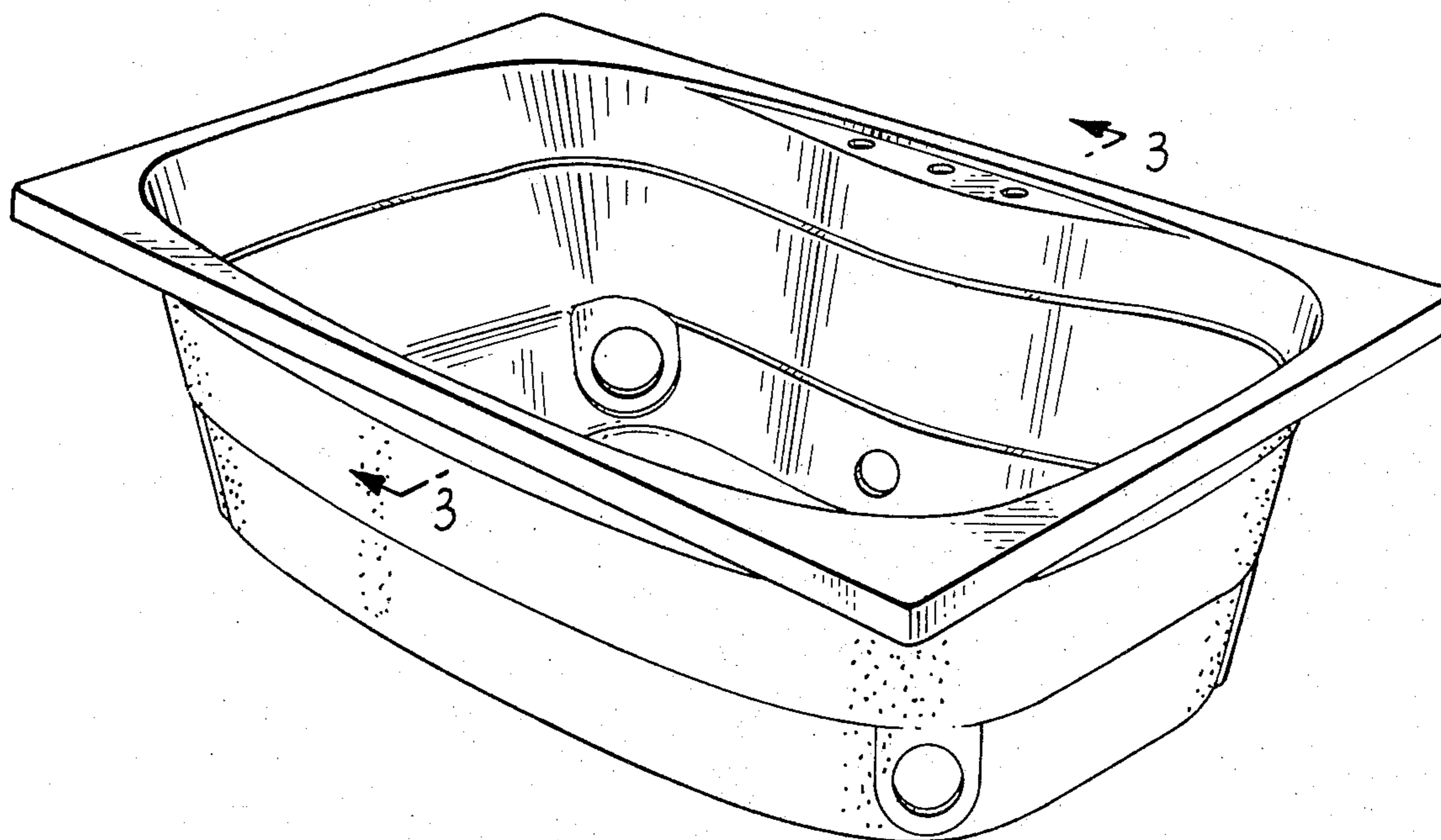
FIG. 2 is a top plan view thereof;

FIG. 3 is a cross-sectional view, taken on line 3—3 of FIG. 1;

FIG. 4 is a cross-sectional view, taken on line 4—4 of FIG. 3;

FIG. 5 is a cross-sectional view, taken on line 5—5 of FIG. 3.

The stippled shading on the inside bottom of the tub represents a contrasting surface and is understood to cover the entire dash outline area.



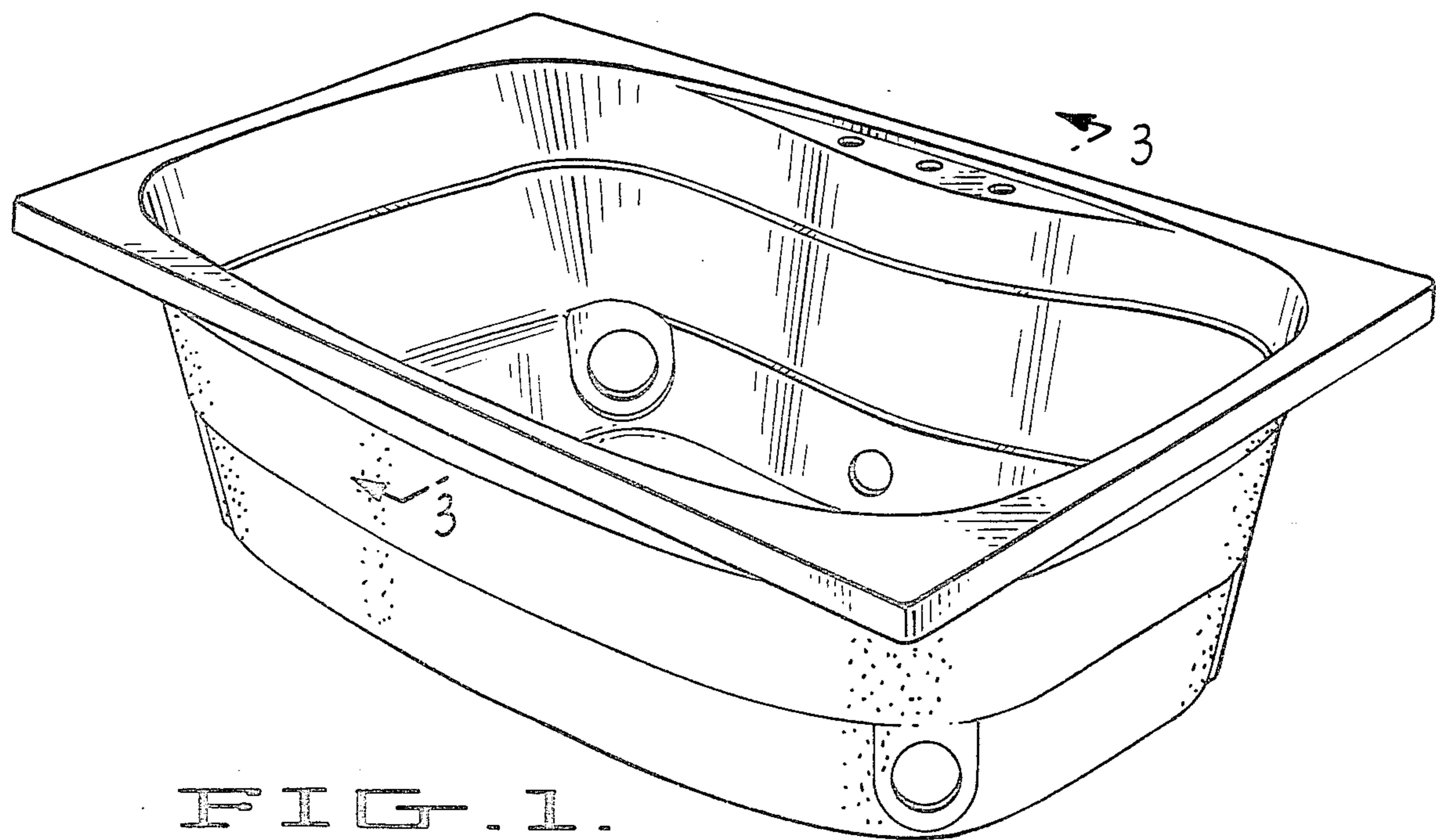


FIG. 1.

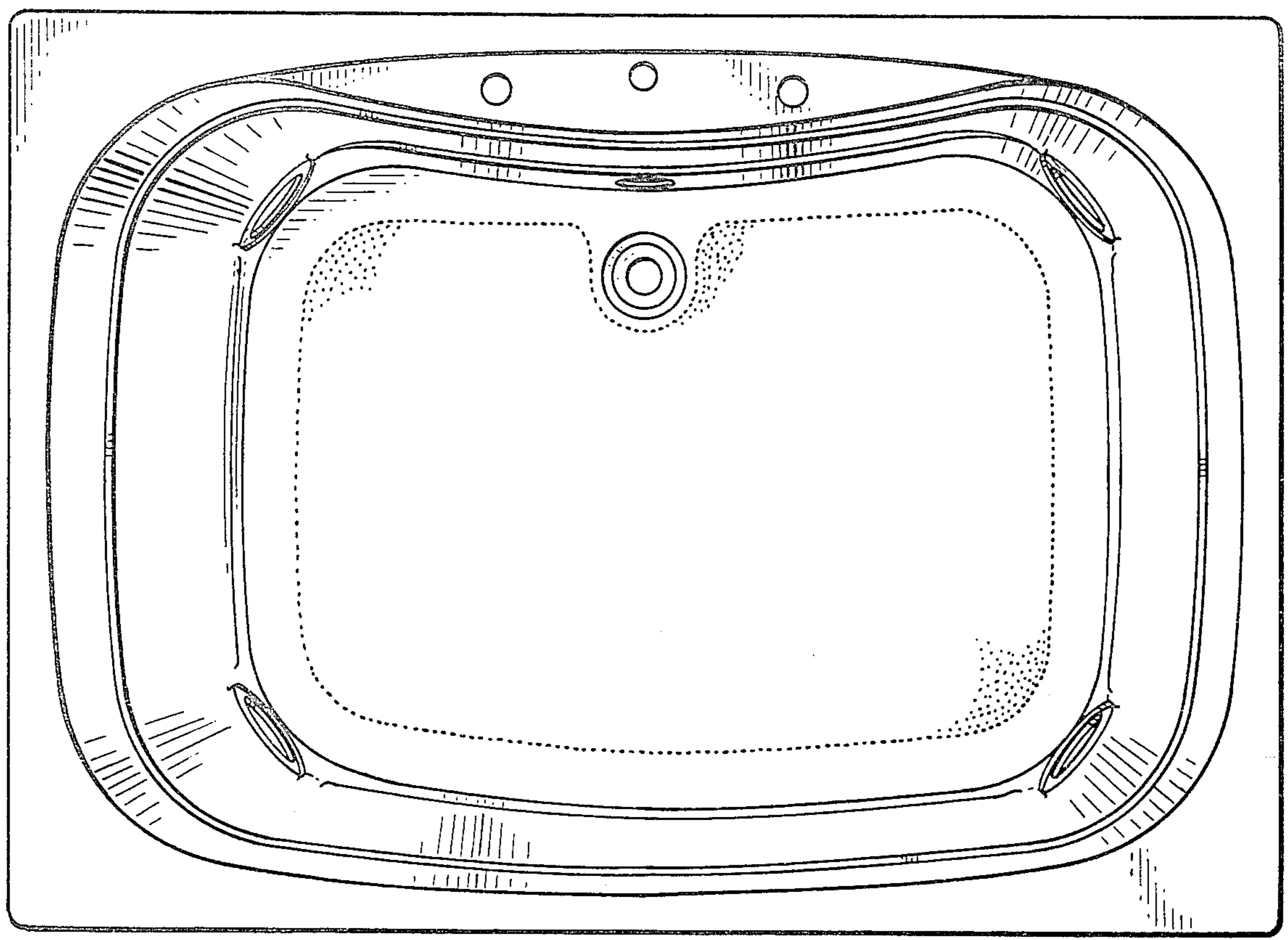


FIG. 2.

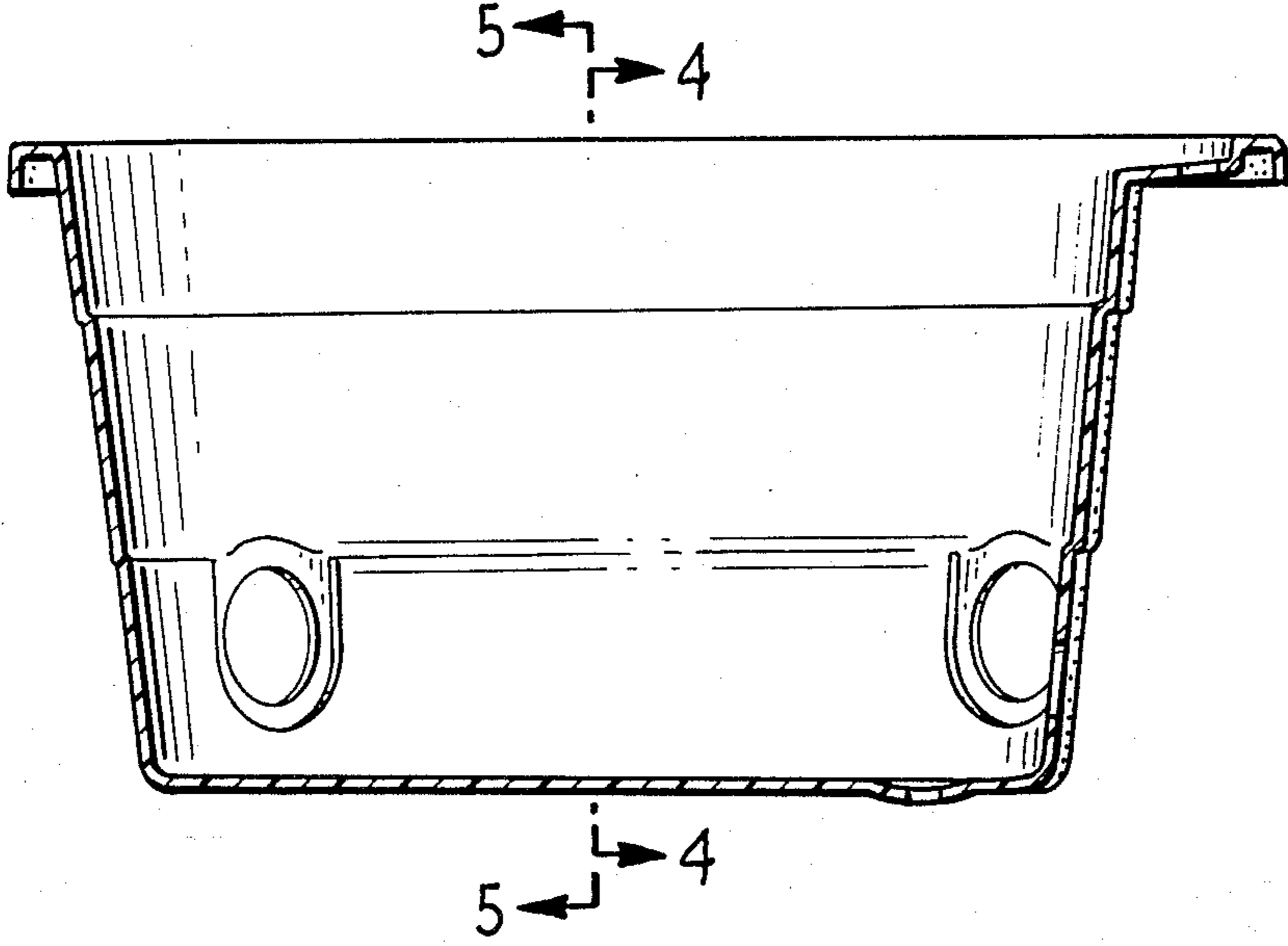


FIG. 3.

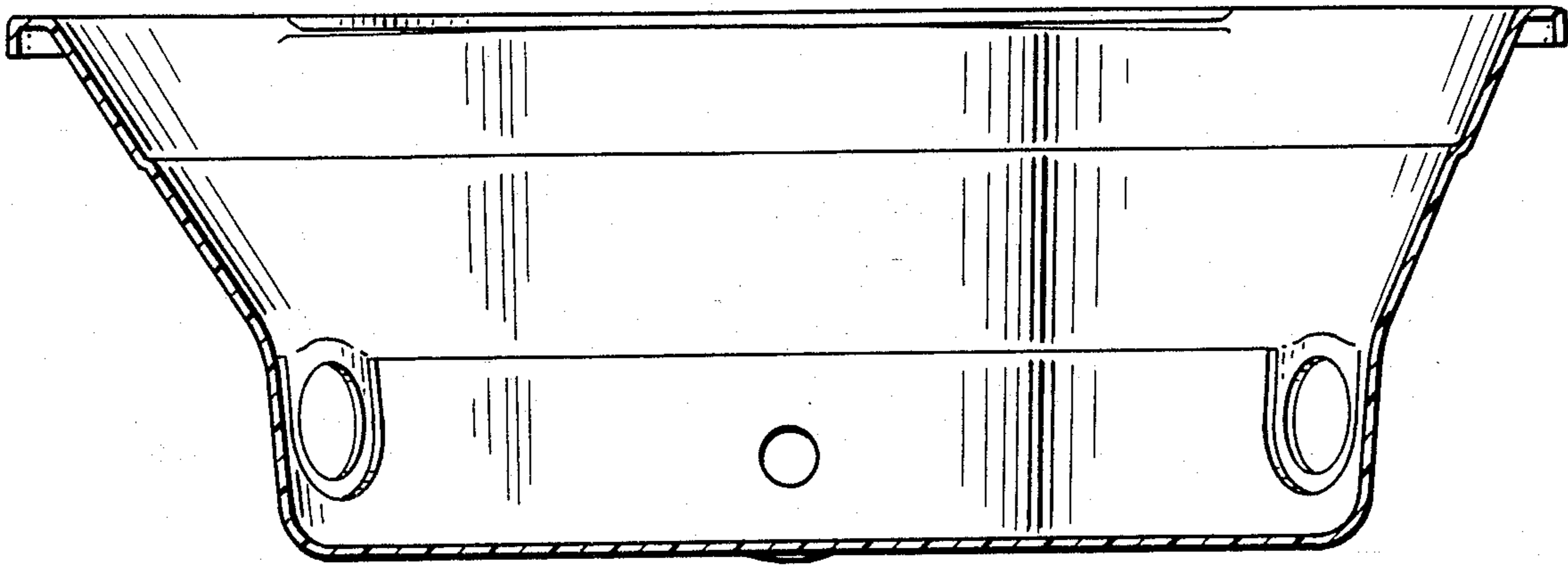


FIG. 4.

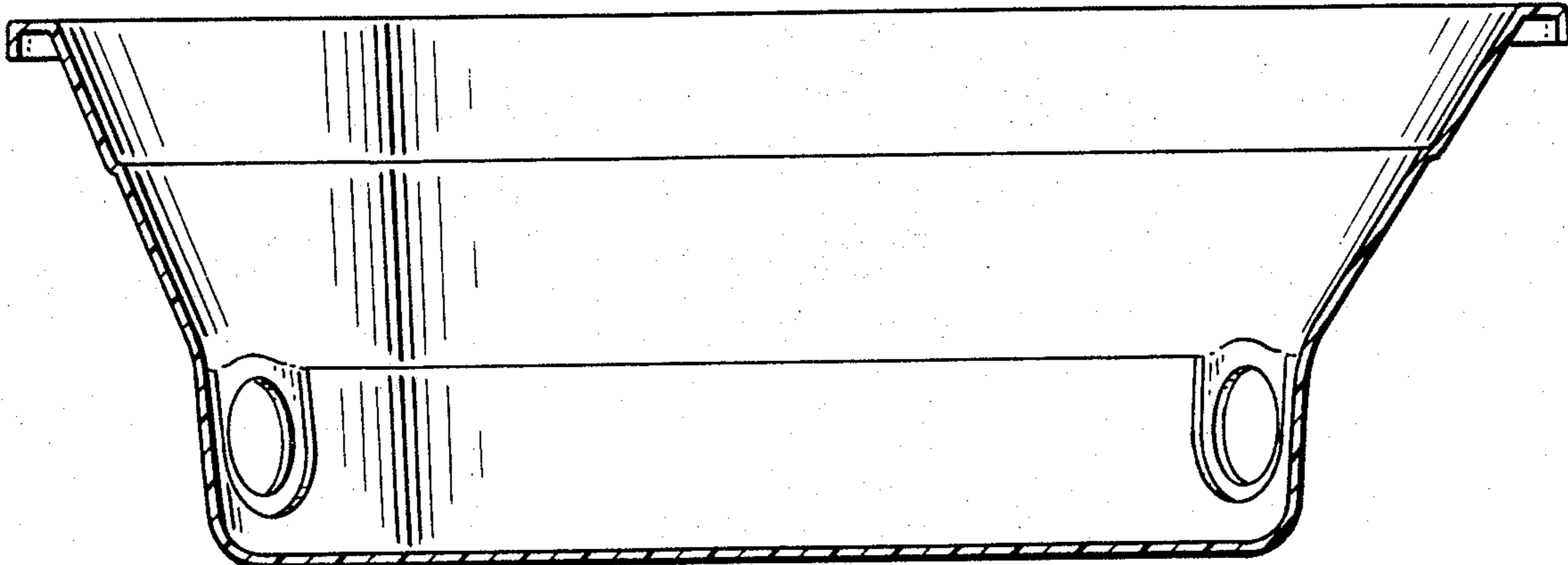


FIG. 5.