

[54] COMBINED CONTAINER AND DISPLAY CASE FOR DENTAL ARTICLES

[75] Inventors: William J. Blatherwick, Hamilton Square; Leslie Hamilton, Trenton; Robert D. Holewinski, Lakehurst, all of N.J.

[73] Assignee: Johnson & Johnson Dental Products Company, East Windsor, N.J.

[**] Term: 14 Years

[21] Appl. No.: 665,583

[22] Filed: Oct. 29, 1984

[52] U.S. Cl. D24/31; D6/467; D6/471; D24/10

[58] Field of Search D24/4, 5, 8, 10, 16, D24/31-32; D9/341, 345, 347, 418, 423-425, 455-456; D3/74; 206/364-366, 368-369, 570-572, 438, 63.5, 557-558, 562-564; 312/209; 433/77; D6/471, 467

[56] References Cited

U.S. PATENT DOCUMENTS

D. 249,241 9/1978 Halleron D9/424

D. 269,791 7/1983 Chatham D9/347 X
D. 280,976 10/1985 Diamond D9/345 X
4,153,160 5/1979 Leigh 206/570 X
4,293,074 10/1981 Dunsky 206/369 X

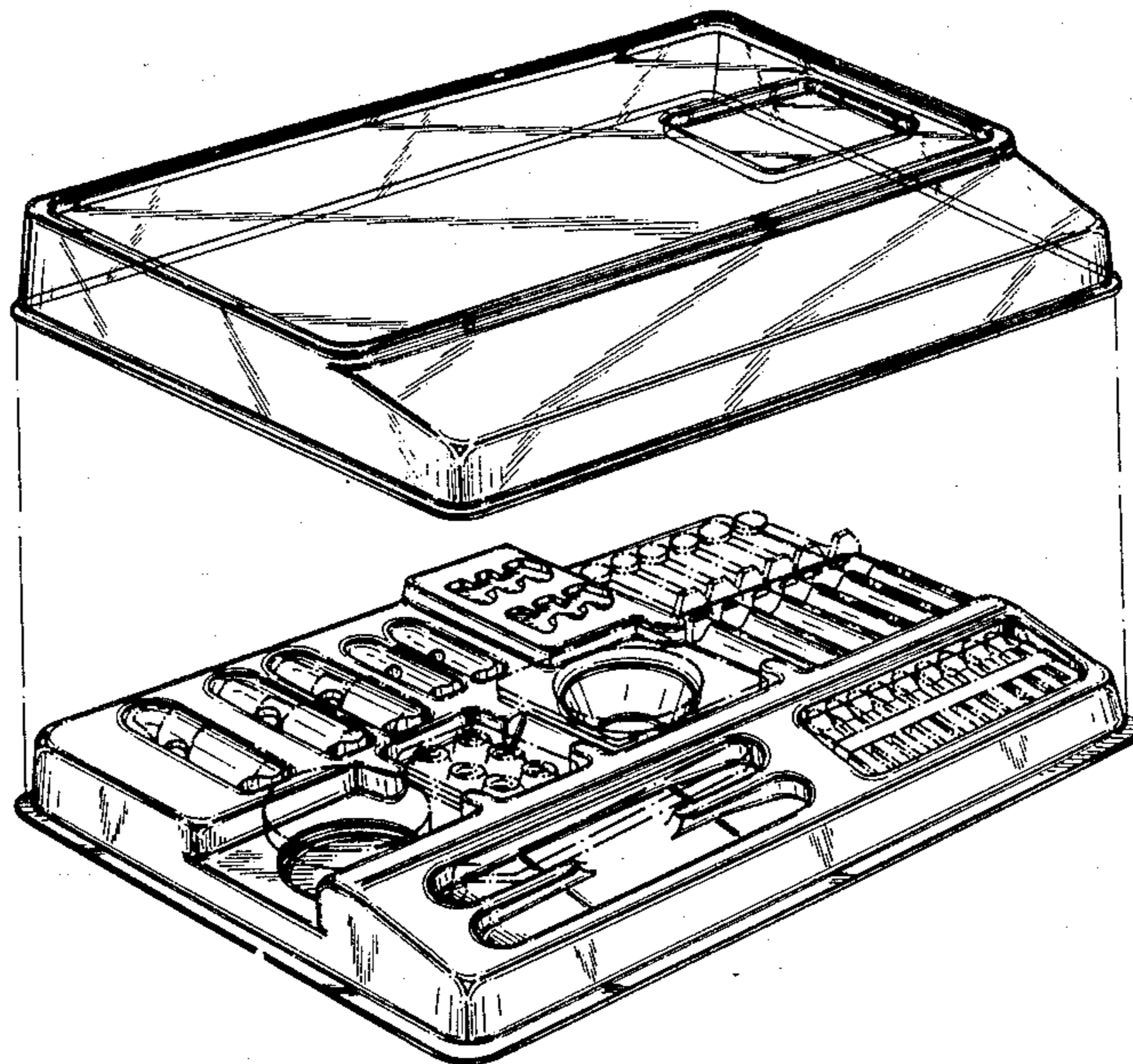
Primary Examiner—B. J. Bullock
Assistant Examiner—Brian N. Vinson
Attorney, Agent, or Firm—Charles J. Metz

[57] CLAIM

The ornamental design for a combined container and display case for dental articles, as shown and described.

DESCRIPTION

FIG. 1 is a top perspective view of a combined container and display case for dental articles showing my new design;
FIG. 2 is a top plan view thereof;
FIG. 3 is a bottom plan view thereof;
FIG. 4 is a front elevational view thereof;
FIG. 5 is a left side elevational view thereof;
FIG. 6 is a right side elevational view thereof;
FIG. 7 is a rear elevational view thereof; and
FIG. 8 is an exploded top perspective view thereof, with the broken-line showing of various articles placed in the container being for illustrative purposes only and forming no part of the claimed design.



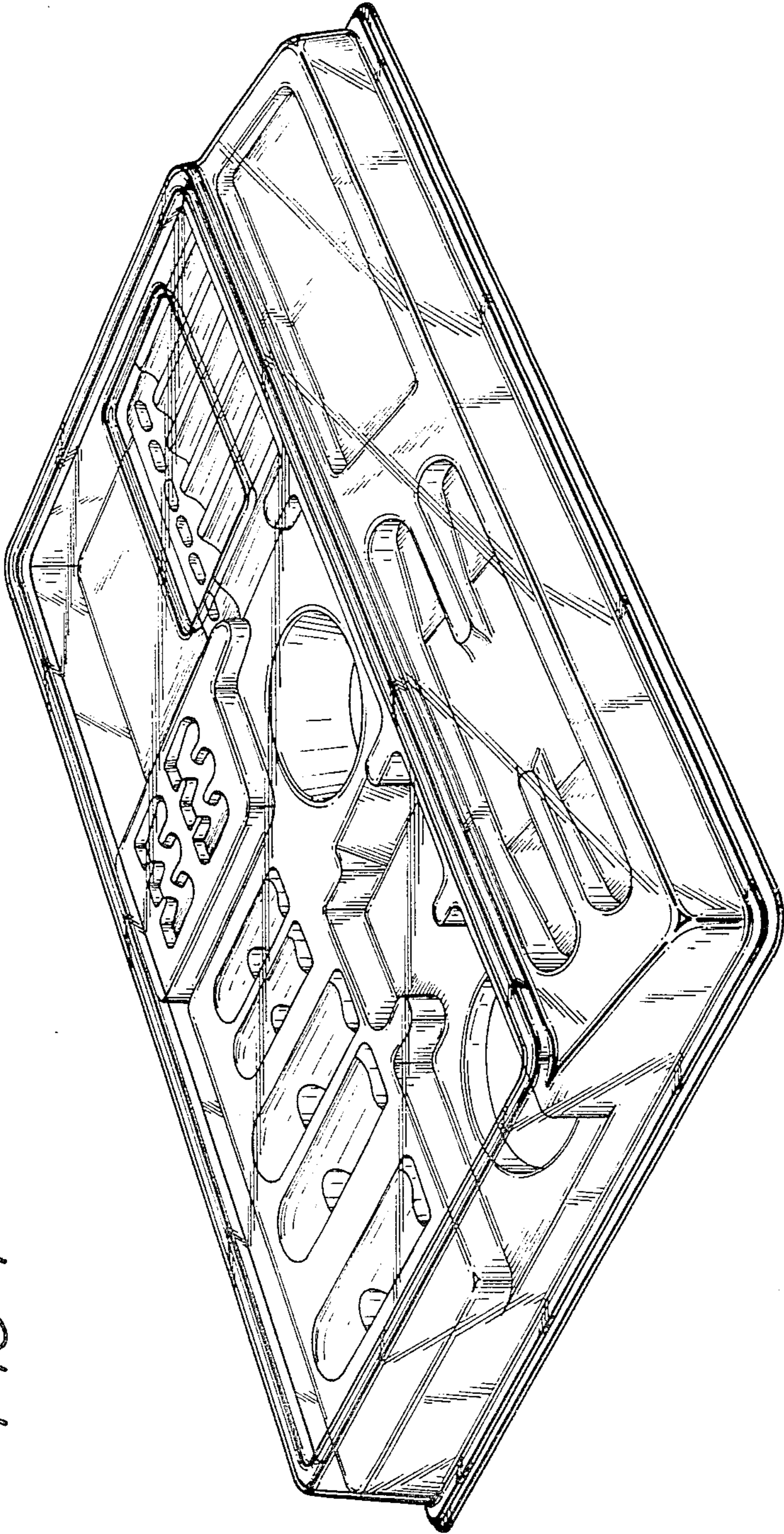


FIG-1

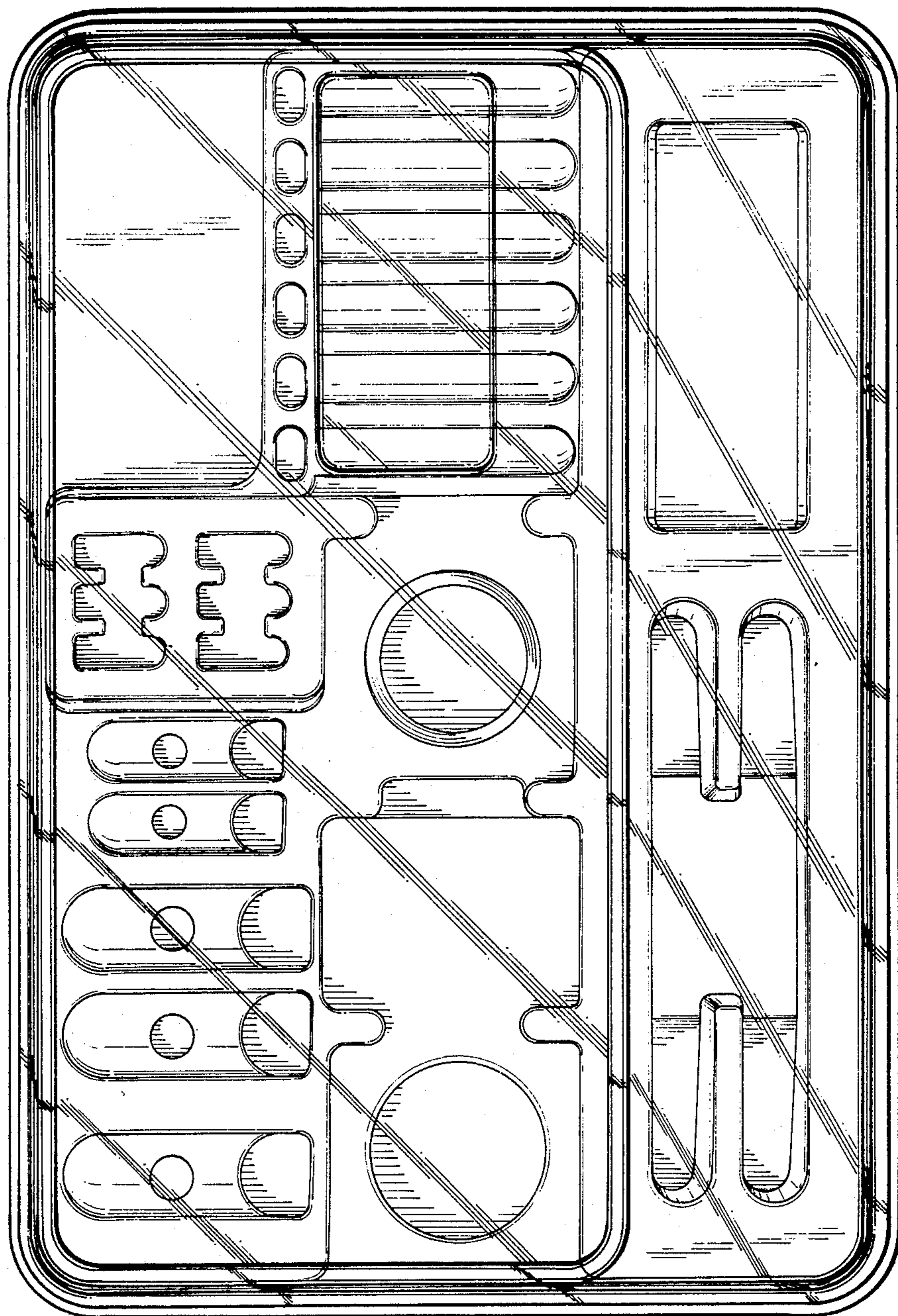


FIG-2

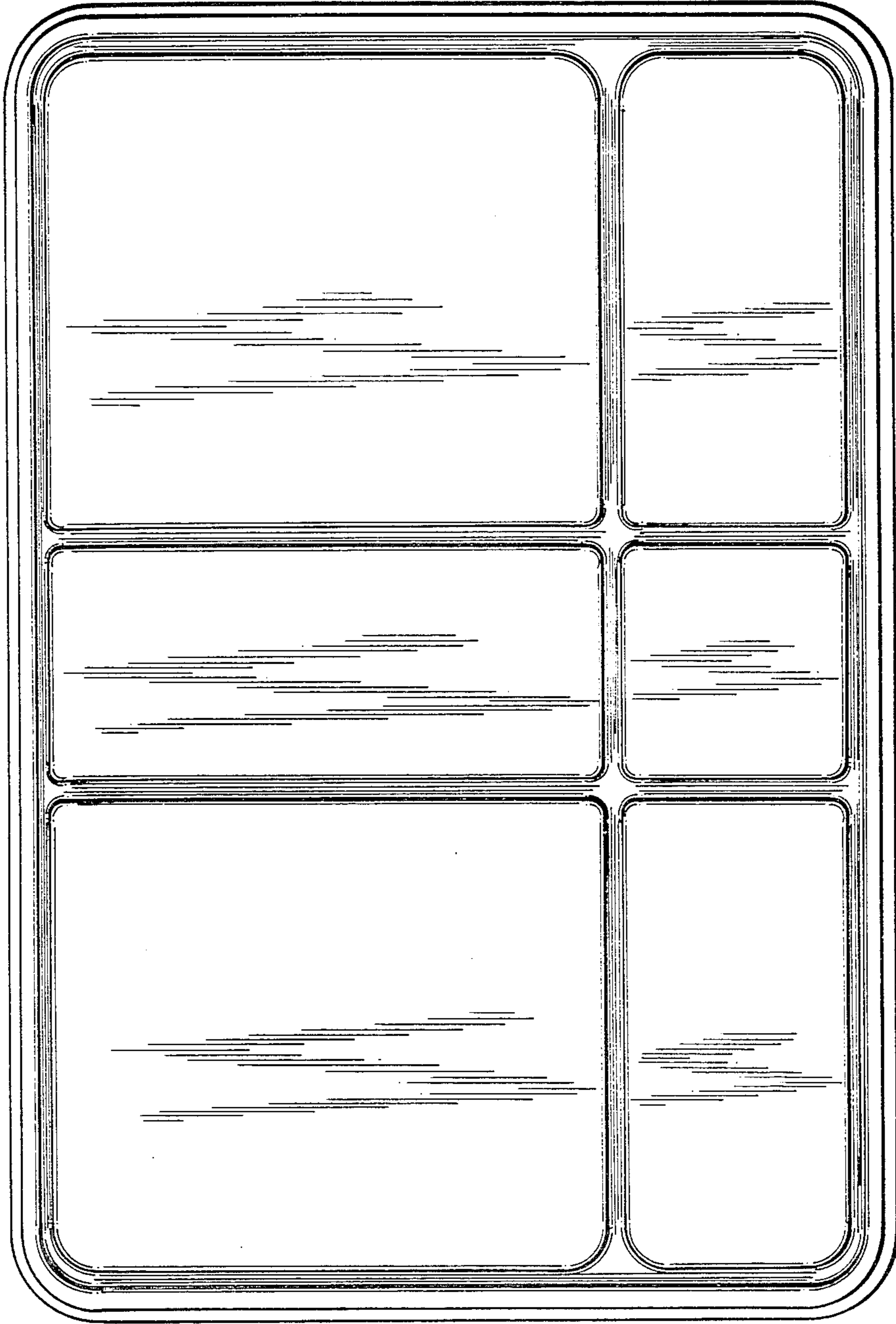


FIG-3

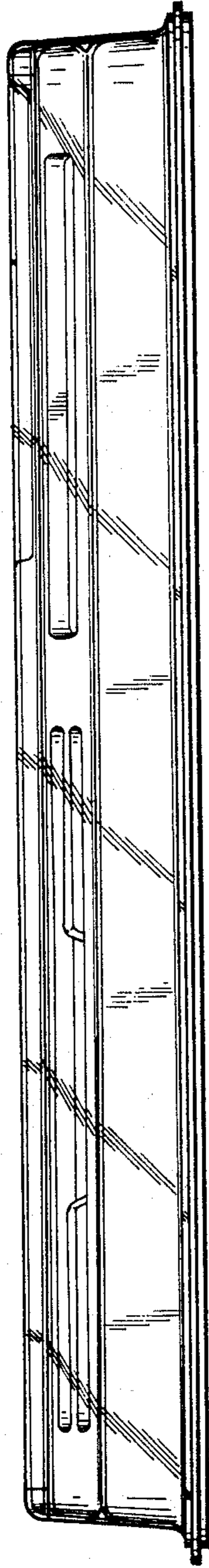


FIG-4

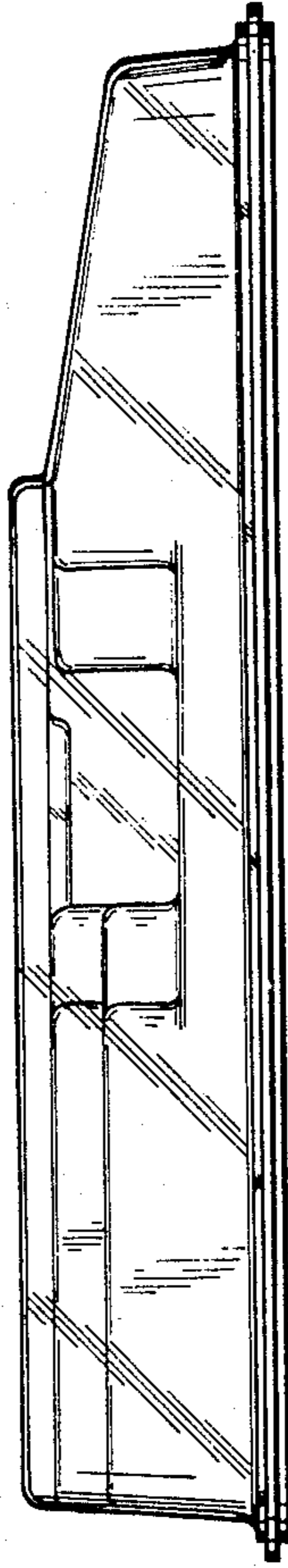


FIG-5

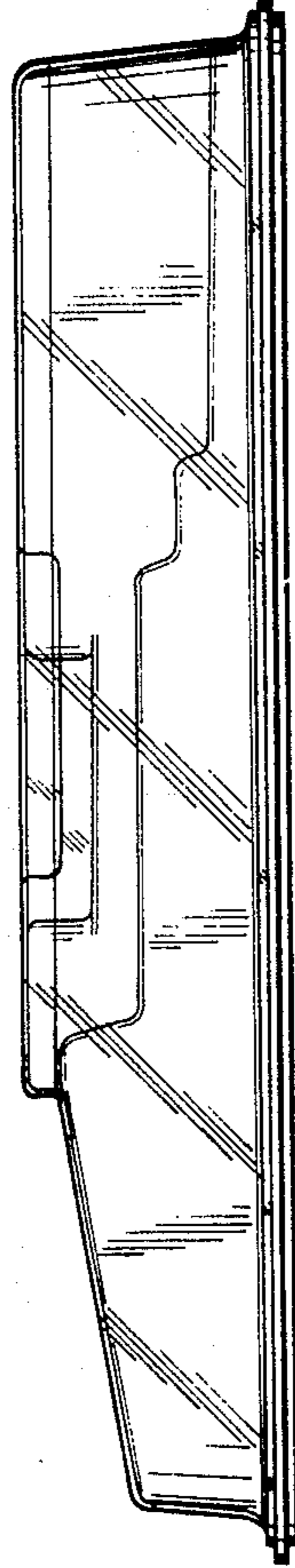


FIG-6

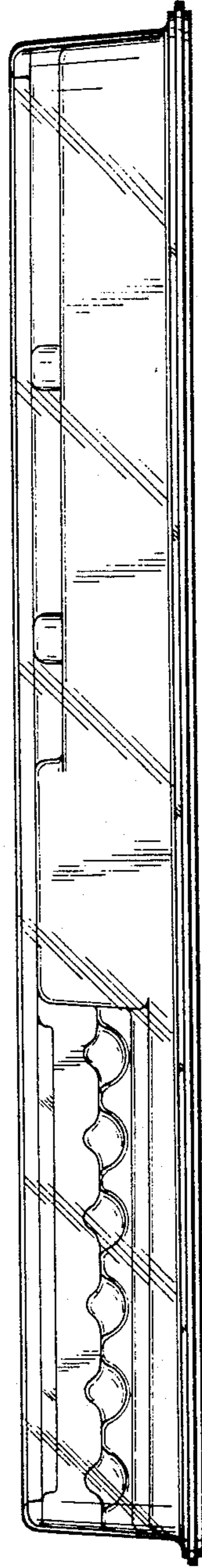


FIG-7

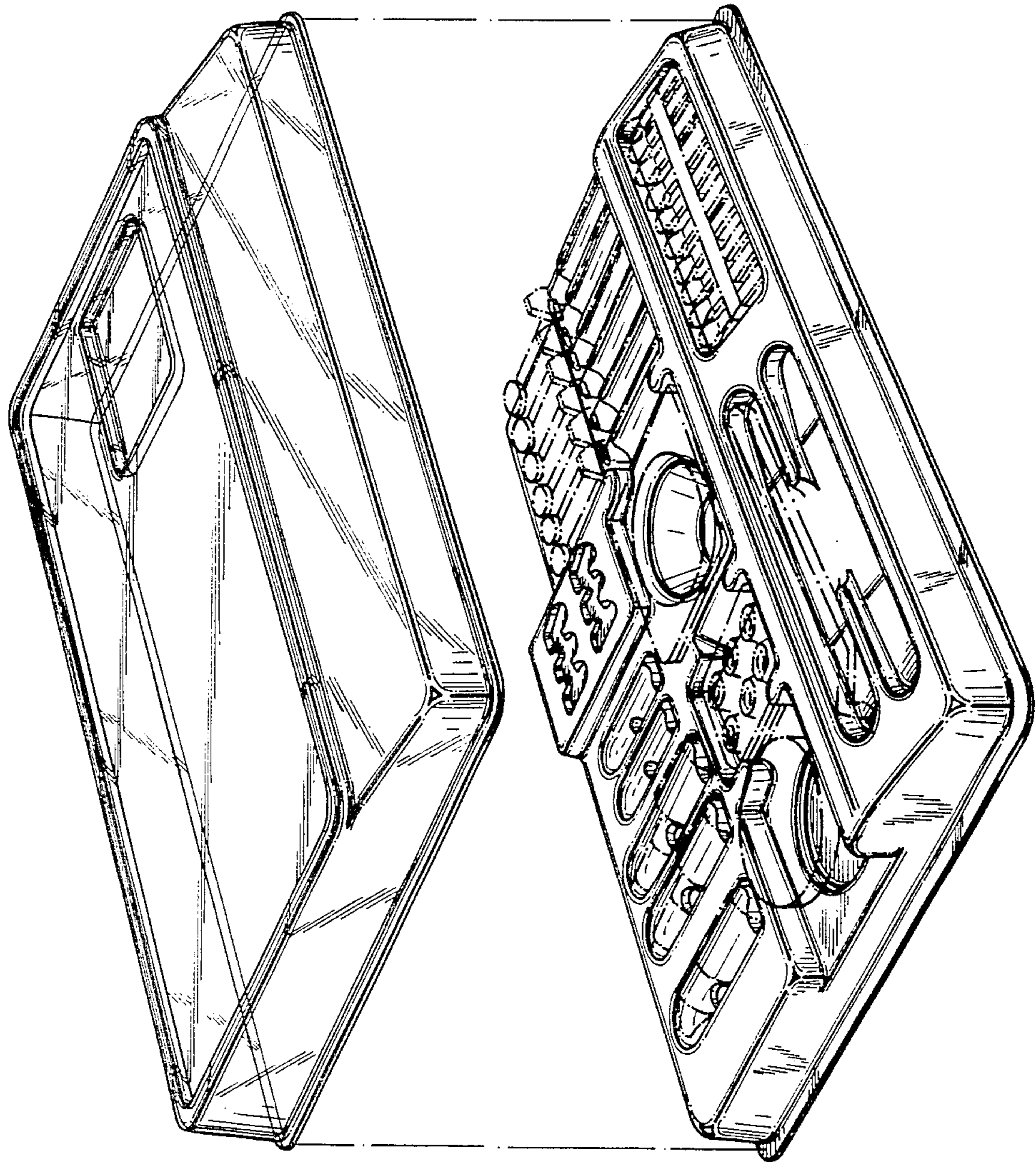


FIG-8