

- [54] EAVESTROUGH DOWNSPOUT CONNECTOR
- [76] Inventor: **Kenneth C. Thatcher**, 892 Colburn St., Toledo, Ohio 43609
- [**] Term: **14 Years**
- [21] Appl. No.: **565,583**
- [22] Filed: **Dec. 27, 1983**
- [52] U.S. Cl. **D23/43**
- [58] Field of Search **D23/1, 40, 43-46; D25/73; 285/176, 178; 51/11-16; 52/11-16; 137/801**

4,173,361 11/1979 Gagas 285/178 X

OTHER PUBLICATIONS

Architectural Graphic Standards—1980—“Parts of a Gutter” p. 372.

Primary Examiner—B. J. Bullock
Assistant Examiner—Brian N. Vinson
Attorney, Agent, or Firm—Marshall & Melhorn

[57] **CLAIM**

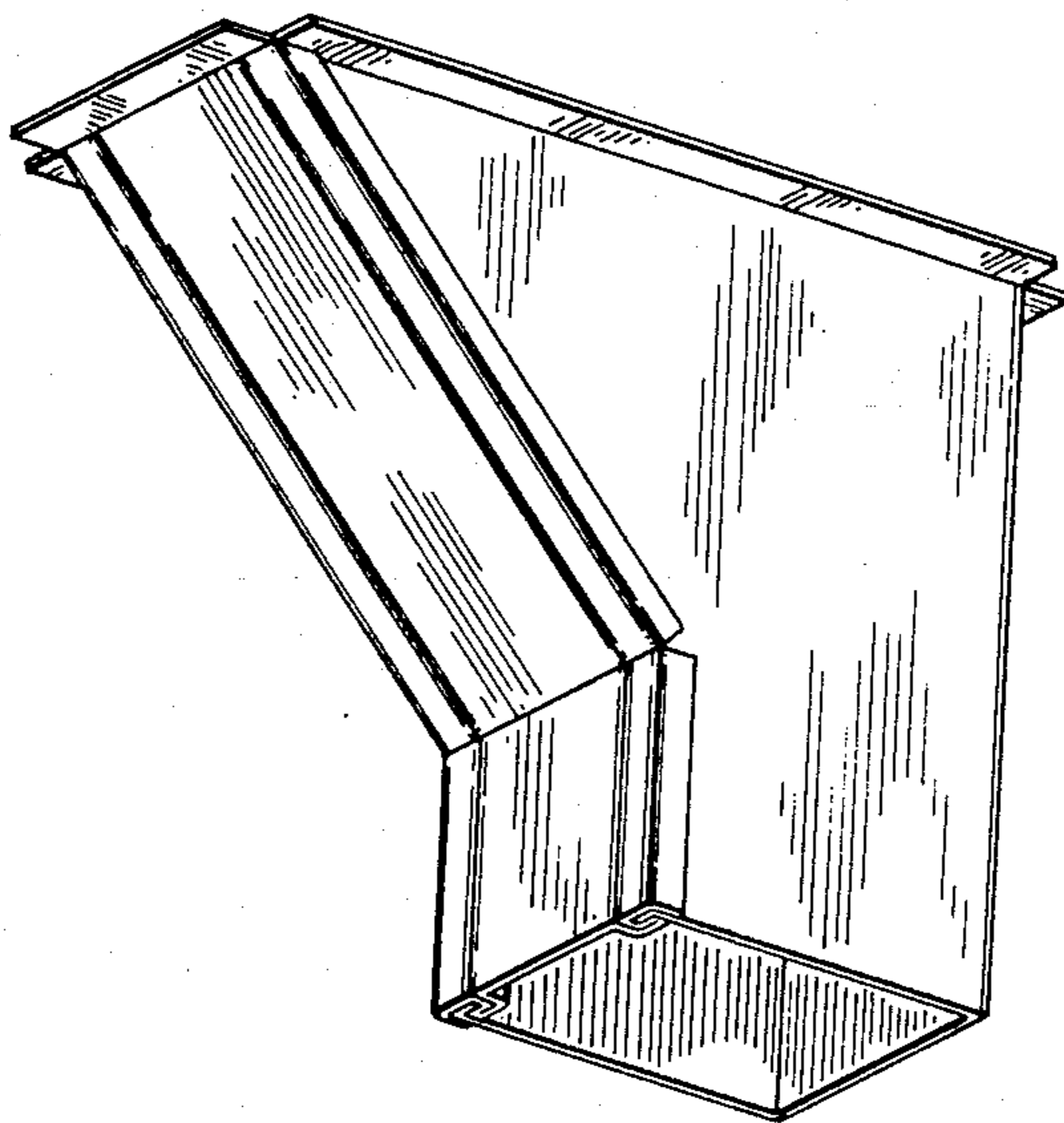
The ornamental design for an eavestrough downspout connector, as shown.

DESCRIPTION

FIG. 1 is a right side elevational view of an eavestrough downspout connector showing my new design; FIG. 2 is a rear elevational view thereof; FIG. 3 is a left side elevational view thereof; FIG. 4 is a front elevational view thereof; FIG. 5 is a top plan view thereof; FIG. 6 is a bottom plan view thereof; and FIG. 7 is a perspective view thereof.

[56] **References Cited**
U.S. PATENT DOCUMENTS

D. 232,553	8/1974	Settle	D23/45
D. 234,596	3/1975	Sixt	D23/43 X
D. 260,422	8/1981	Husted	D23/45
D. 278,077	3/1985	Lott	D23/45
2,777,405	1/1957	Ager	52/16
4,106,243	8/1978	Horn	52/16



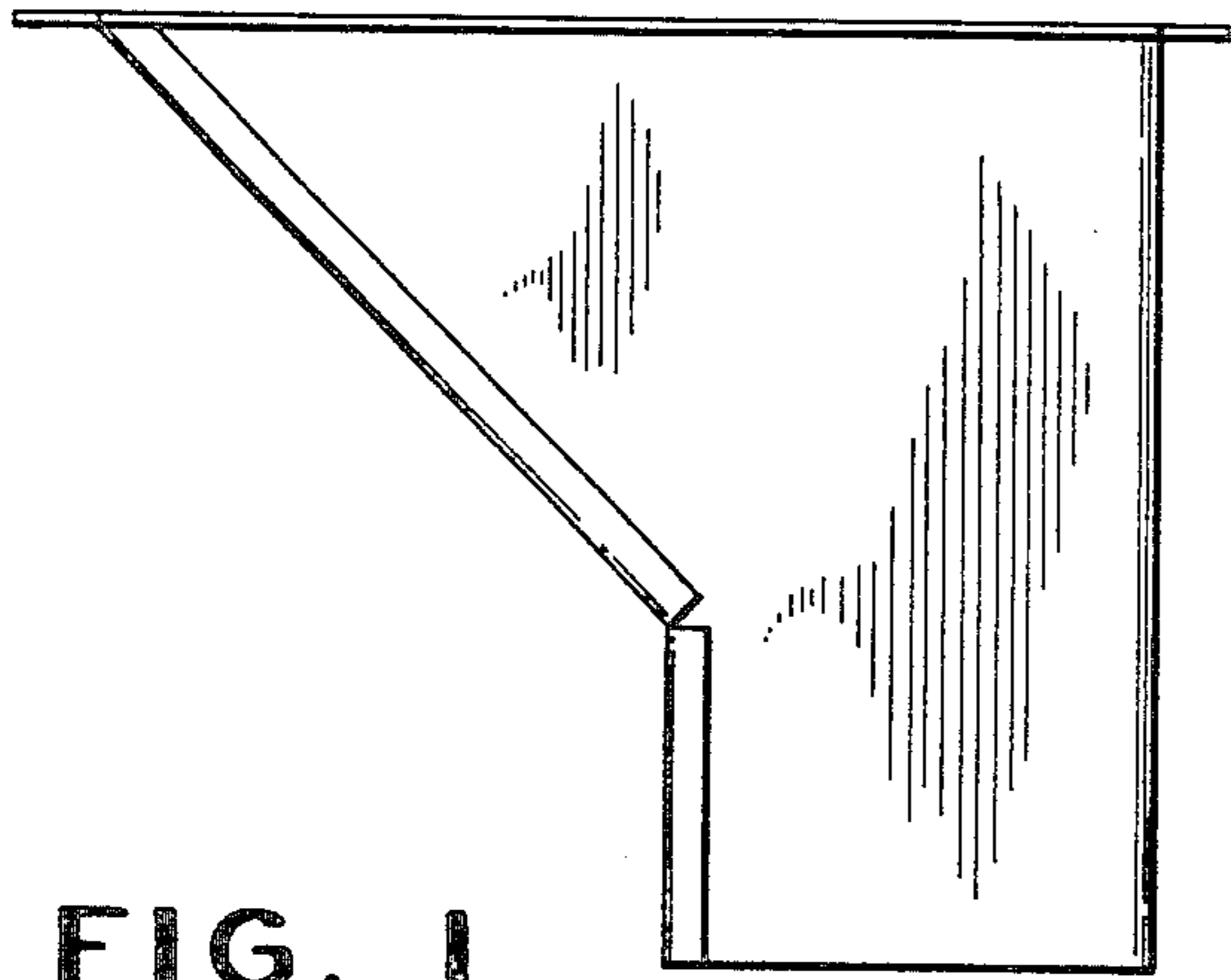


FIG. 1

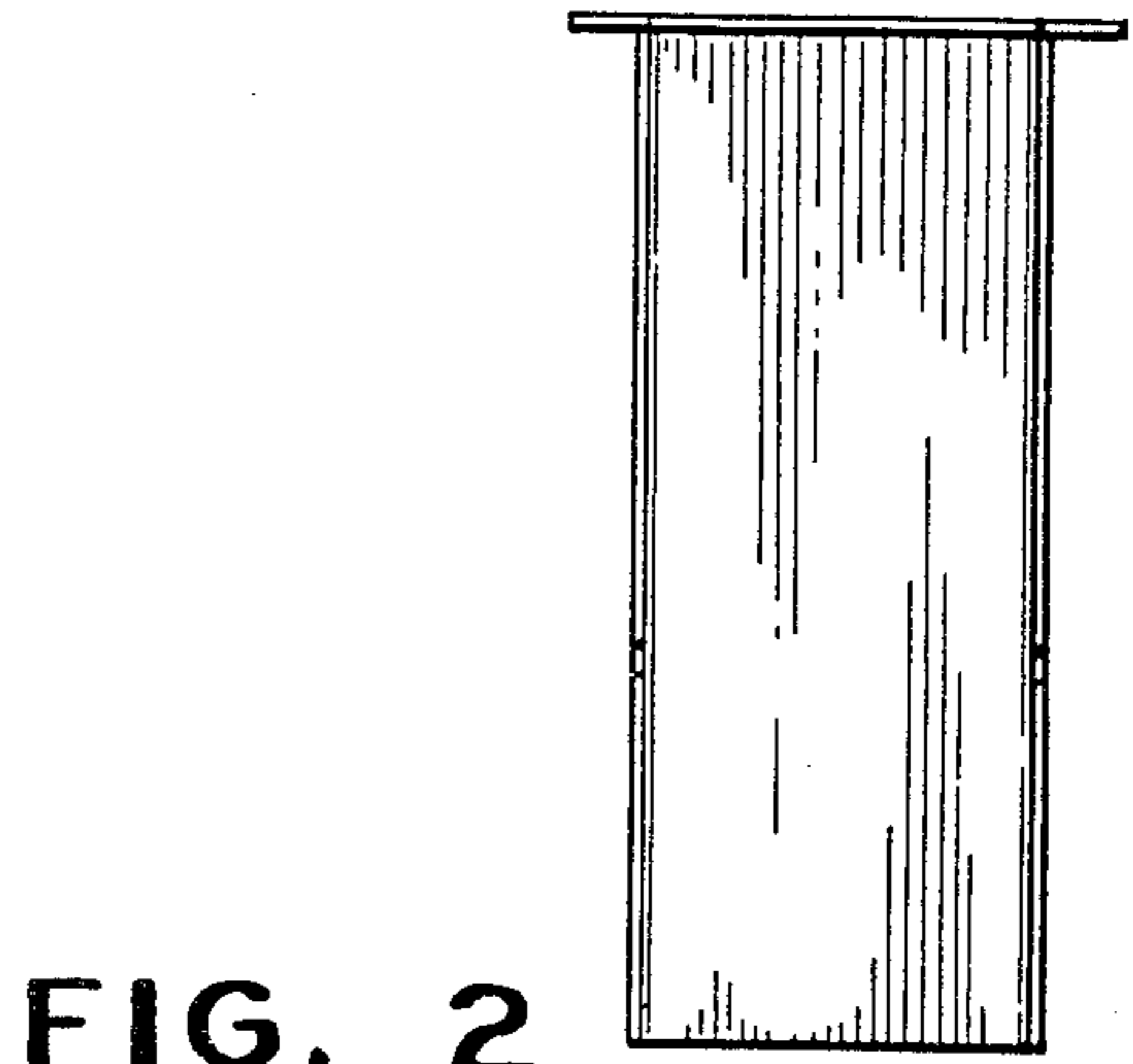


FIG. 2

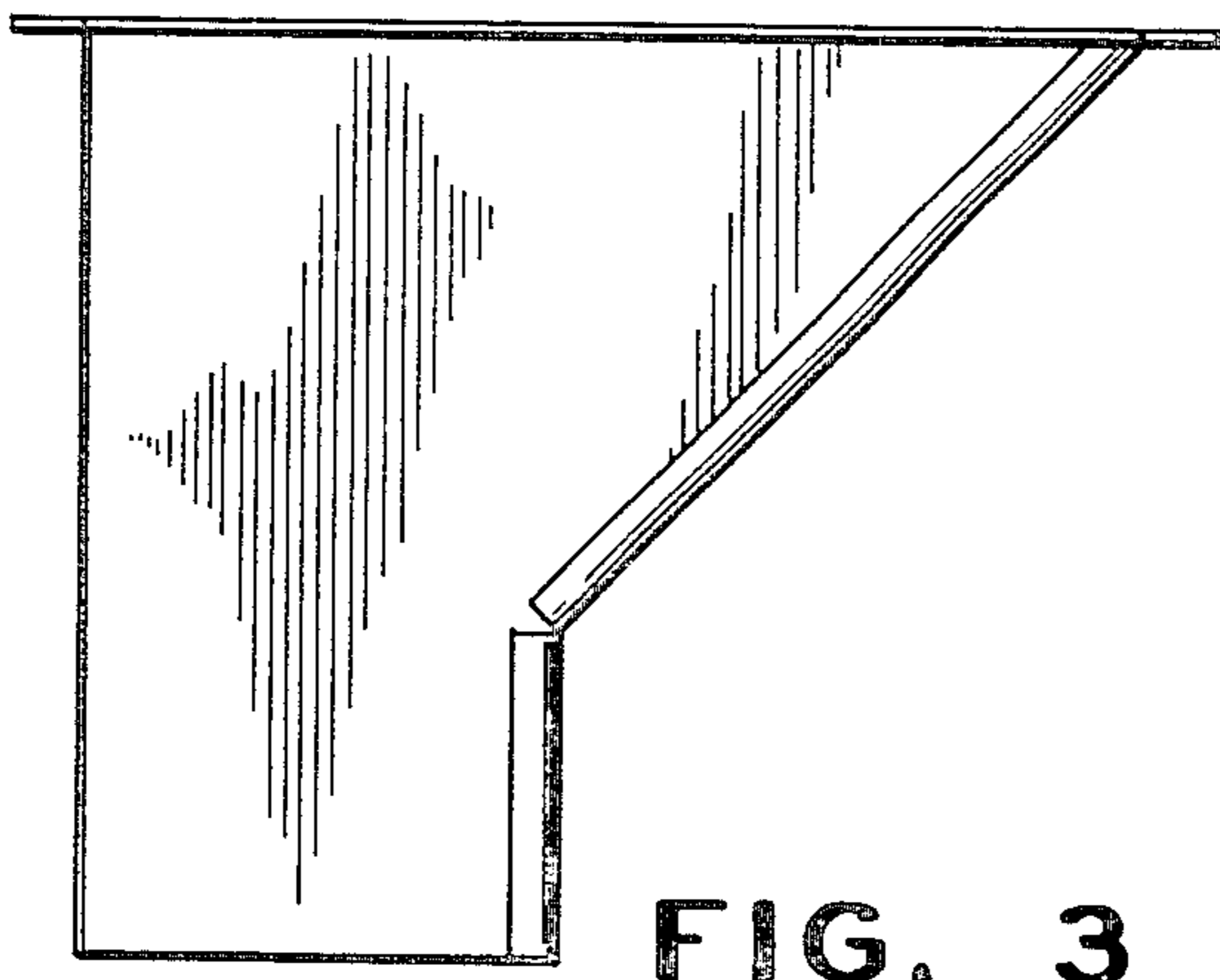


FIG. 3

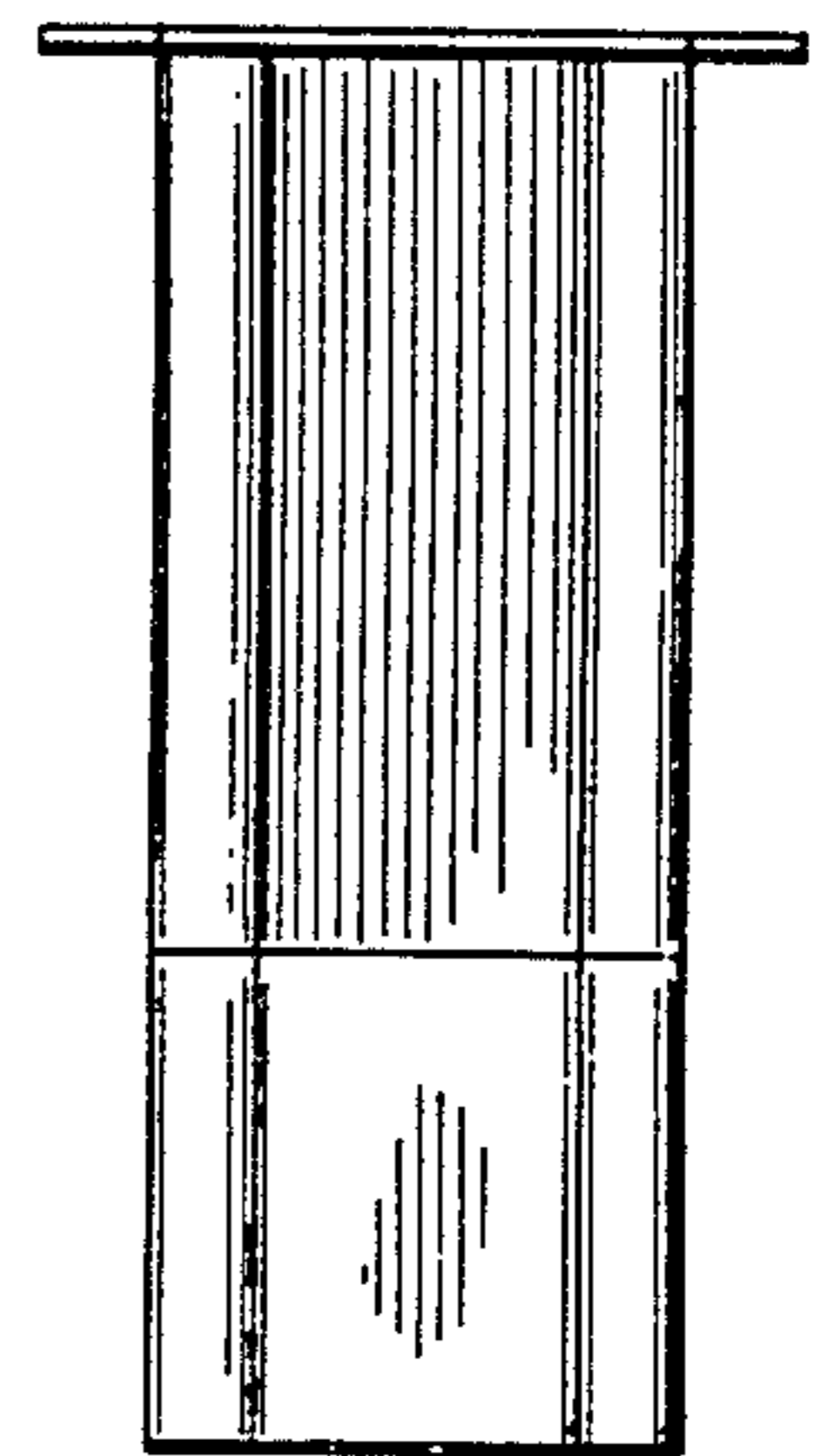


FIG. 4

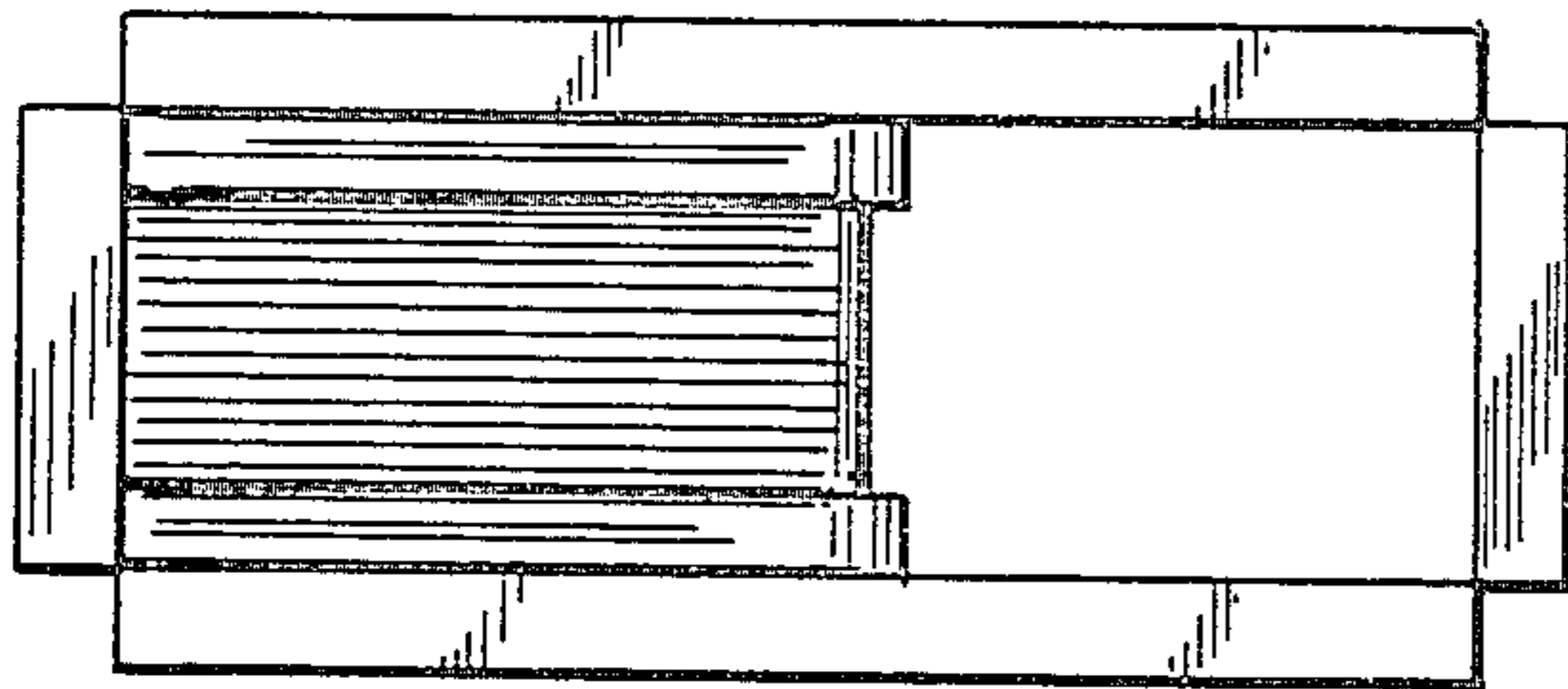


FIG. 5

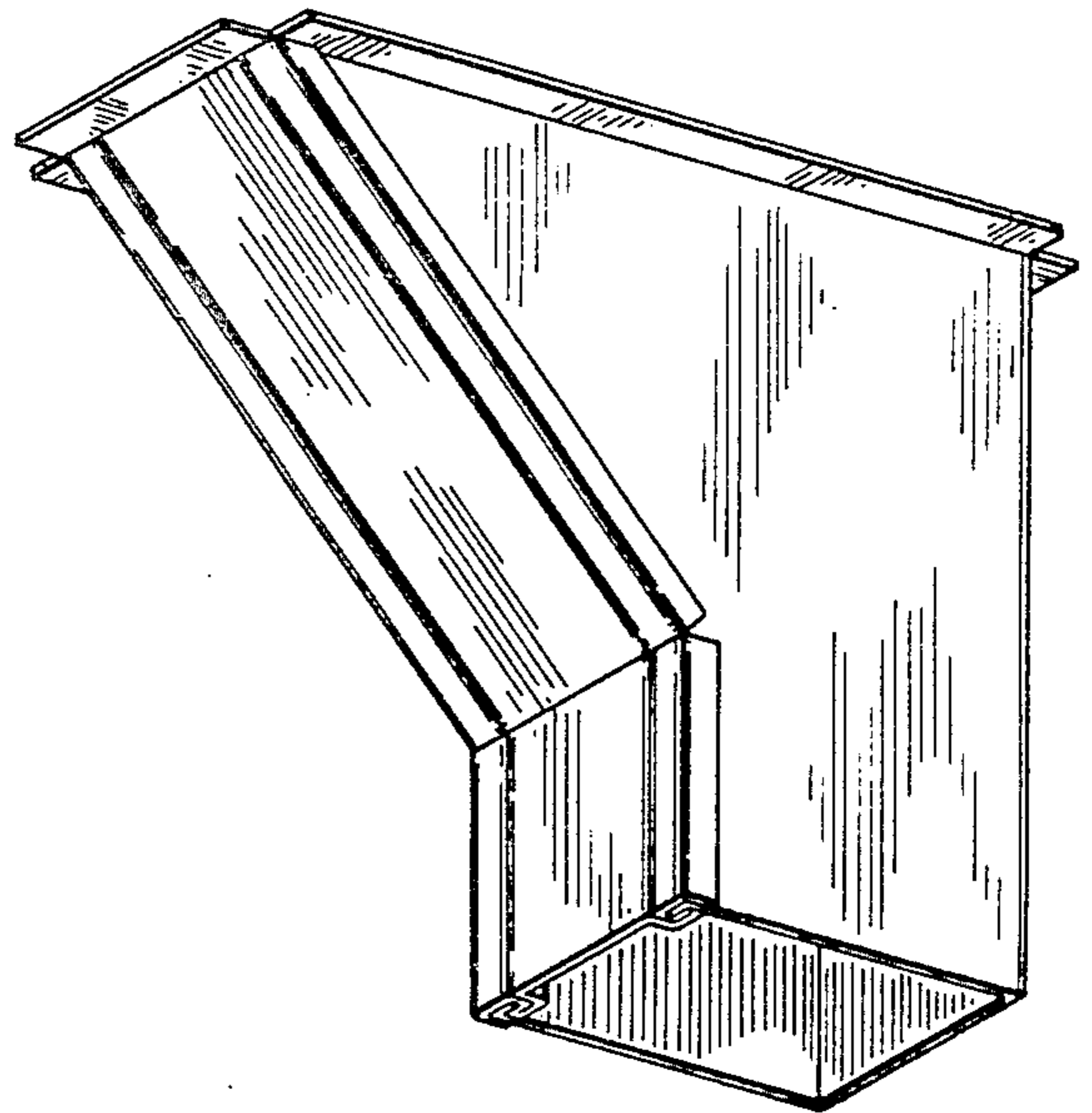


FIG. 7

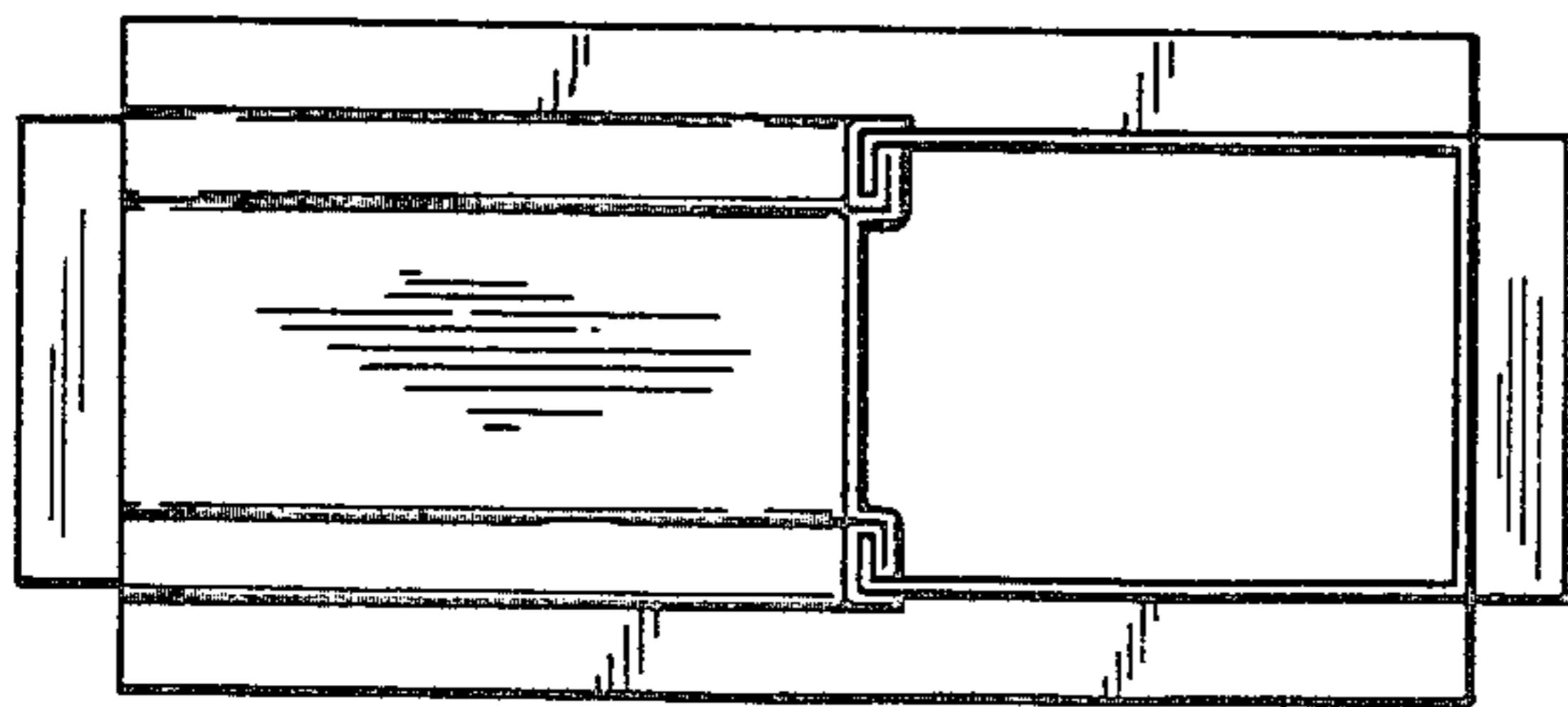


FIG. 6