

[54] PHYSICAL EXERCISER

[75] Inventor: Gary L. Rockwell, LaGrange, Ga.

[73] Assignee: Diversified Products Corporation, Opelika, Ala.

[\*\*] Term: 14 Years

[21] Appl. No.: 626,118

[22] Filed: Jun. 29, 1984

[52] U.S. Cl. .... D21/195

[58] Field of Search ..... D21/191-199; 273/143, 144, 140, 125, 120, 118, 109, 93, DIG. 4

[56] References Cited

U.S. PATENT DOCUMENTS

- D. 266,444 10/1982 Fry ..... D21/195
- D. 267,029 11/1982 Lambert et al. .... D21/195
- D. 268,508 4/1983 Silberman et al. .... D21/195
- 4,010,947 3/1977 Lambert, Sr. .

- 4,072,309 2/1978 Wilson .
- 4,358,109 11/1982 Schrems .

OTHER PUBLICATIONS

Marcy Apex Supine Chest Press 7020. Marcy Catalog, p. 3, "Bodybar #1800".

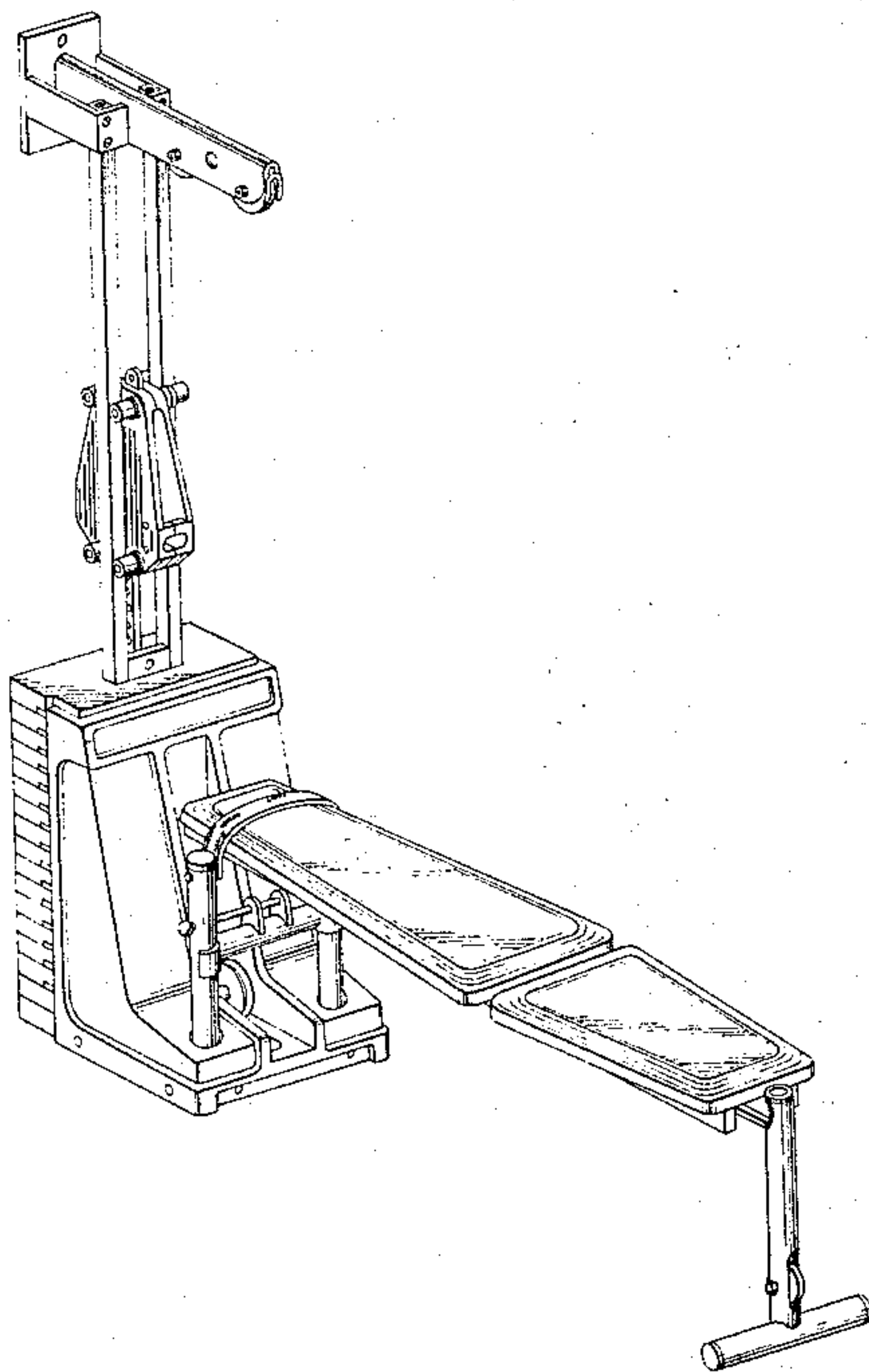
Primary Examiner—Charles A. Rademaker  
Attorney, Agent, or Firm—Banner, Birch, McKie & Beckett

[57] CLAIM

The ornamental design for physical exerciser, substantially as shown and described.

DESCRIPTION

FIG. 1 is a perspective view of physical exerciser showing my new design;  
FIG. 2 is a side elevational view thereof, the opposite side being the mirror image thereof;  
FIG. 3 is a top plan view thereof; and  
FIG. 4 is a front elevational view thereof.



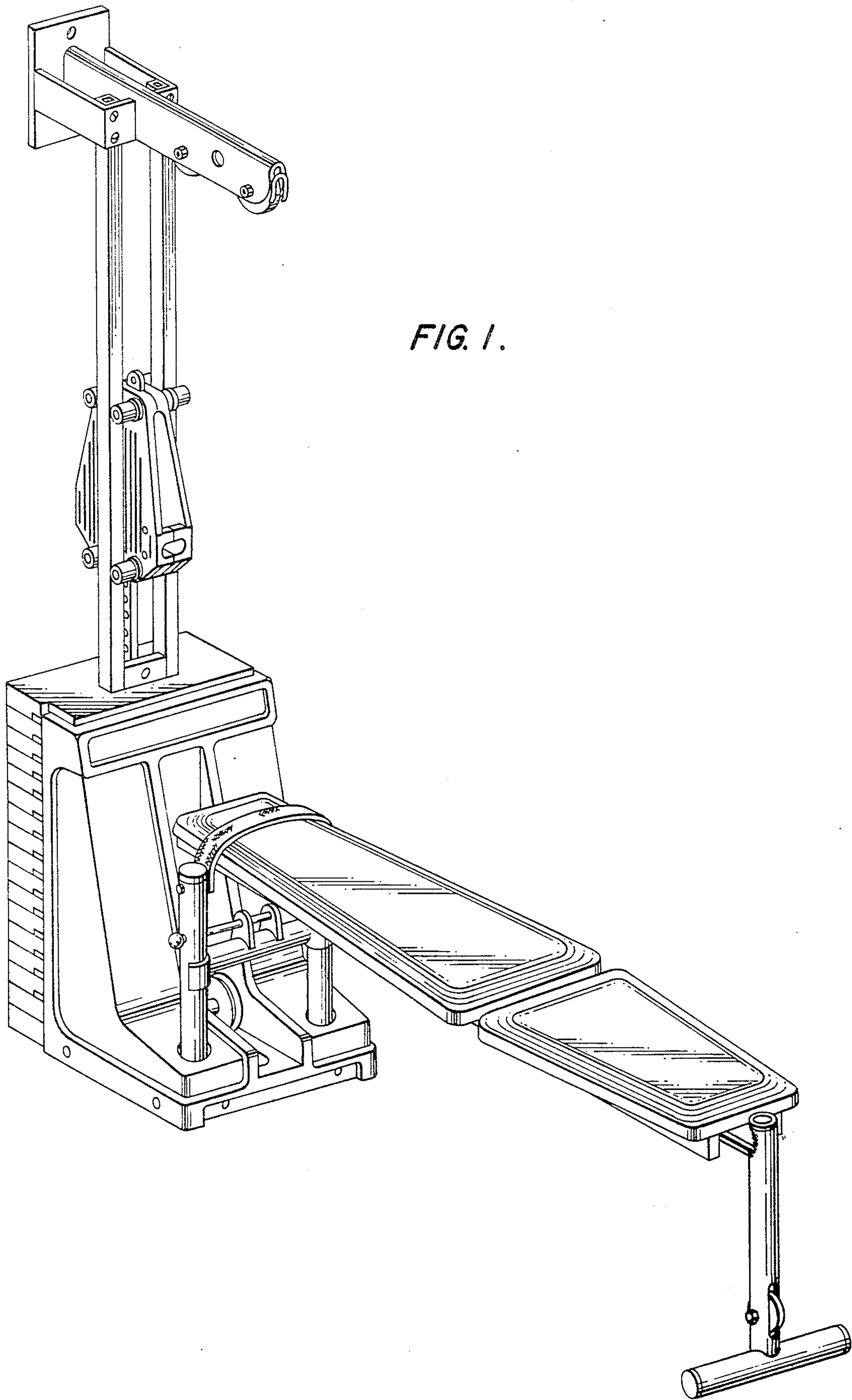
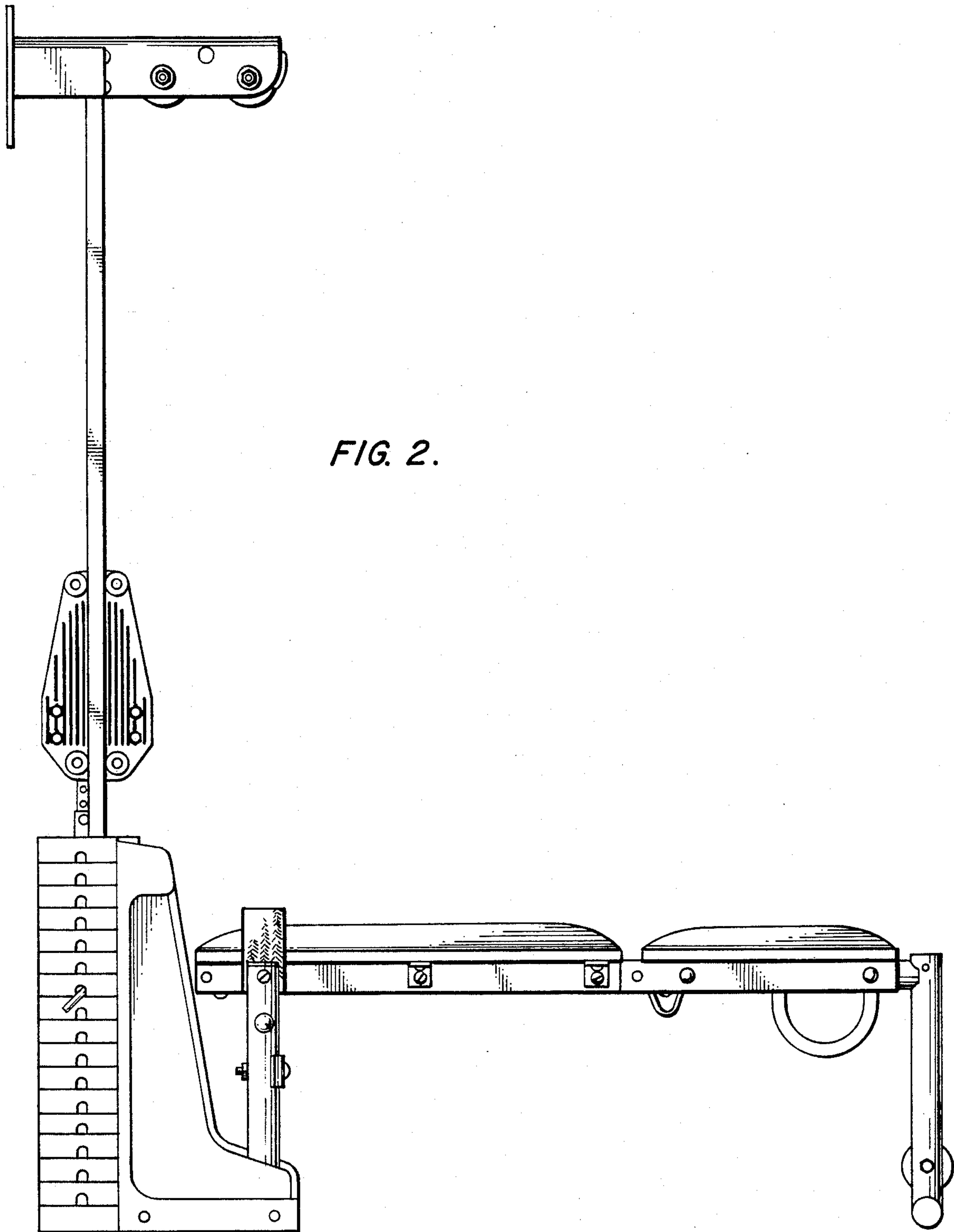


FIG. 1.



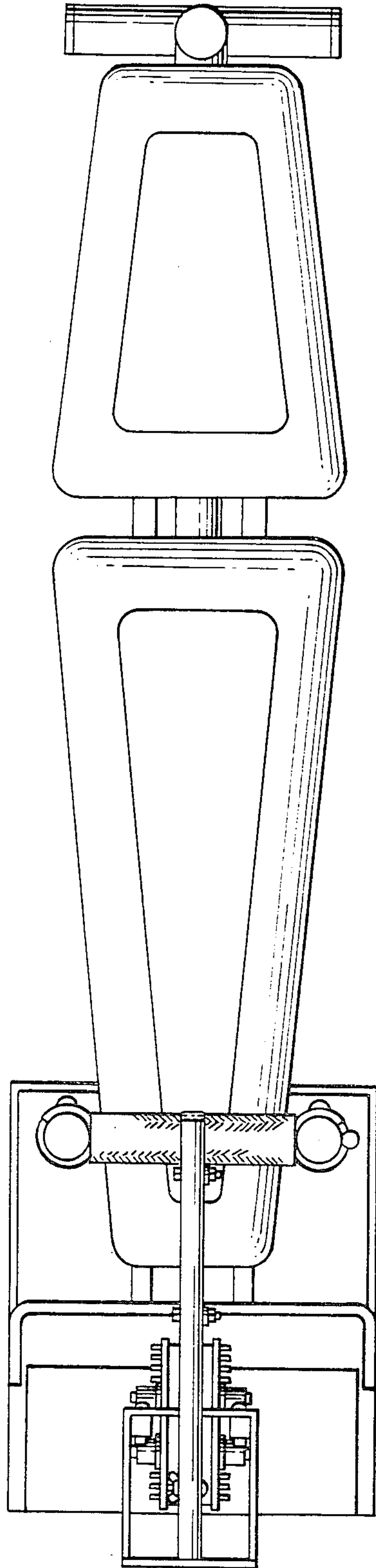


FIG. 3.

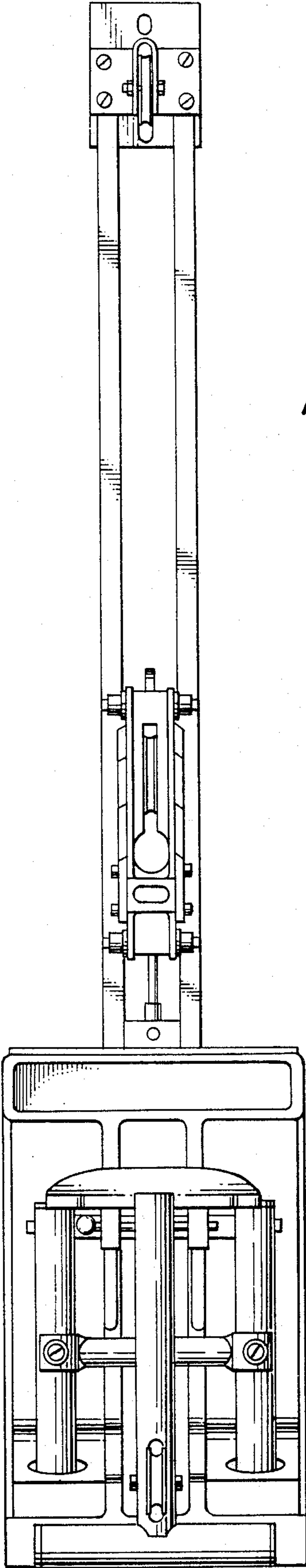


FIG. 4.