

[54] COMBINED RECONFIGURABLE TOY CASSETTE AND BOX

[75] Inventor: Takashi Matsuda, Tokyo, Japan

[73] Assignee: Takara Co., Ltd., Tokyo, Japan

[**] Term: 14 Years

[21] Appl. No.: 557,654

[22] Filed: Dec. 2, 1983

[30] Foreign Application Priority Data

Dec. 18, 1982 [JP] Japan 57-191724

[52] U.S. Cl. D21/150

[58] Field of Search D21/150, 111; D14/11; 446/487, 71, 72, 73, 76, 77, 376, 269, 299, 302, 94, 95, 96, 97

[56] References Cited

U.S. PATENT DOCUMENTS

4,206,564 6/1980 Ogawa 446/94

FOREIGN PATENT DOCUMENTS

55-1662 1/1980 Japan 446/487

OTHER PUBLICATIONS

Stereo Review, May, 1980, p. 7, bottom, cassette.

Primary Examiner—Melvin B. Feifer

Attorney, Agent, or Firm—Price, Gess & Ubell

[57] CLAIM

The ornamental design for a combined reconfigurable toy cassette and box, substantially as shown and described.

DESCRIPTION

FIG. 1 is a front elevational view of the combined reconfigurable toy cassette and box showing my new design;

FIG. 2 is a right elevational side view;

FIG. 3 is a rear elevational view;

FIG. 4 is a top plan view;

FIG. 5 is a bottom plan view;

FIG. 6 is a left elevational side view;

FIG. 7 is a front elevational view of the reconfigurable toy cassette in a cassette-like configuration with the cassette box removed;

FIG. 8 is a right elevational side view of the embodiment of FIG. 7;

FIG. 9 is a rear elevational view of the embodiment of FIG. 7;

FIG. 10 is a top plan view of the embodiment of FIG. 7;

FIG. 11 is a bottom plan view of the embodiment of FIG. 7;

FIG. 12 is a left elevational side view of the embodiment of FIG. 7;

FIG. 13 is a front elevational view of the reconfigurable toy cassette reconfigured in the form of a robotic humanoid;

FIG. 14 is a right elevational side view of the embodiment of FIG. 13;

FIG. 15 is a rear elevational view of the embodiment of FIG. 13;

FIG. 16 is a top plan view of the embodiment of FIG. 13;

FIG. 17 is a bottom plan view of the embodiment of FIG. 13; and

FIG. 18 is a left elevational side view of the embodiment of FIG. 13.

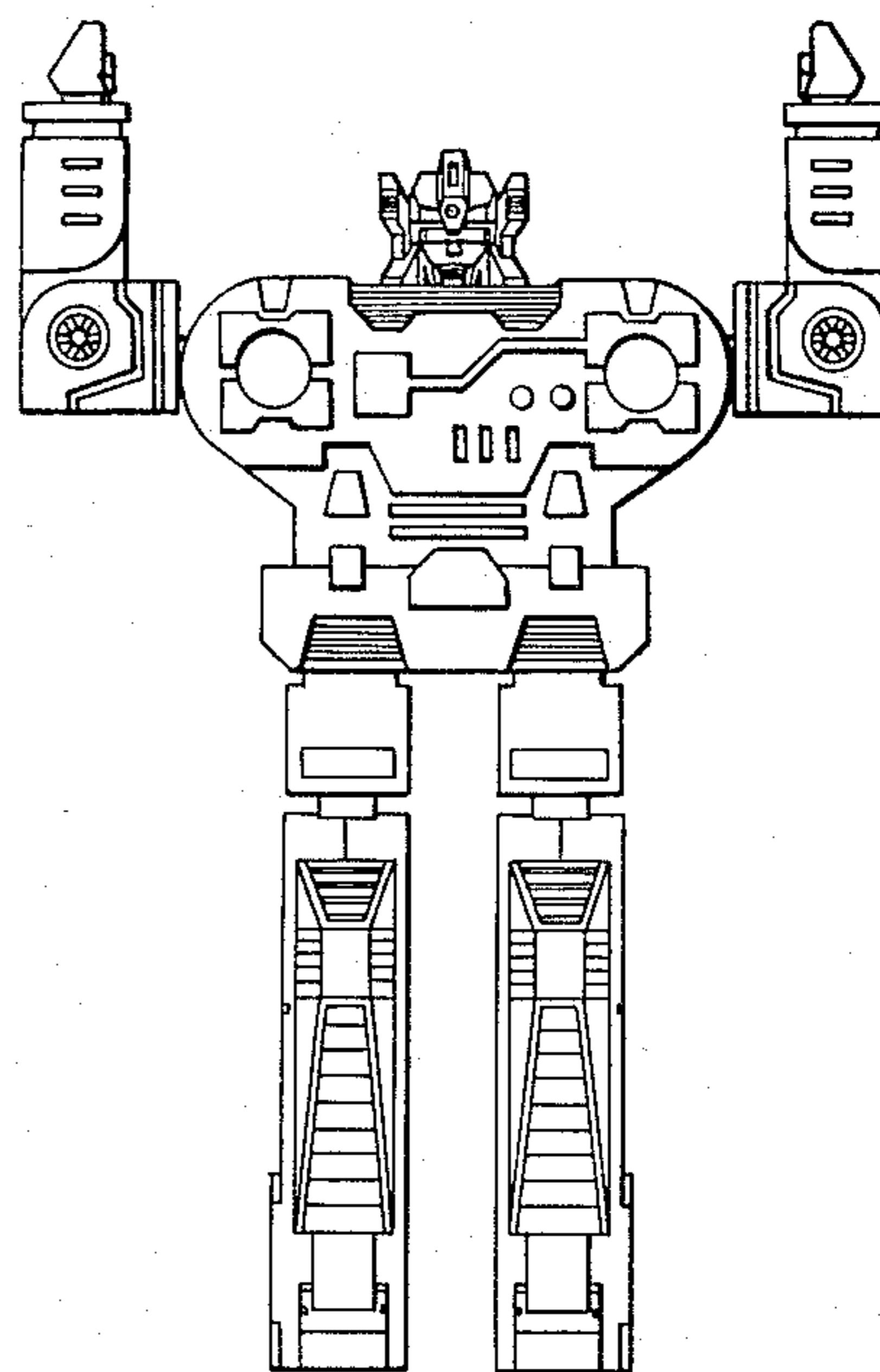
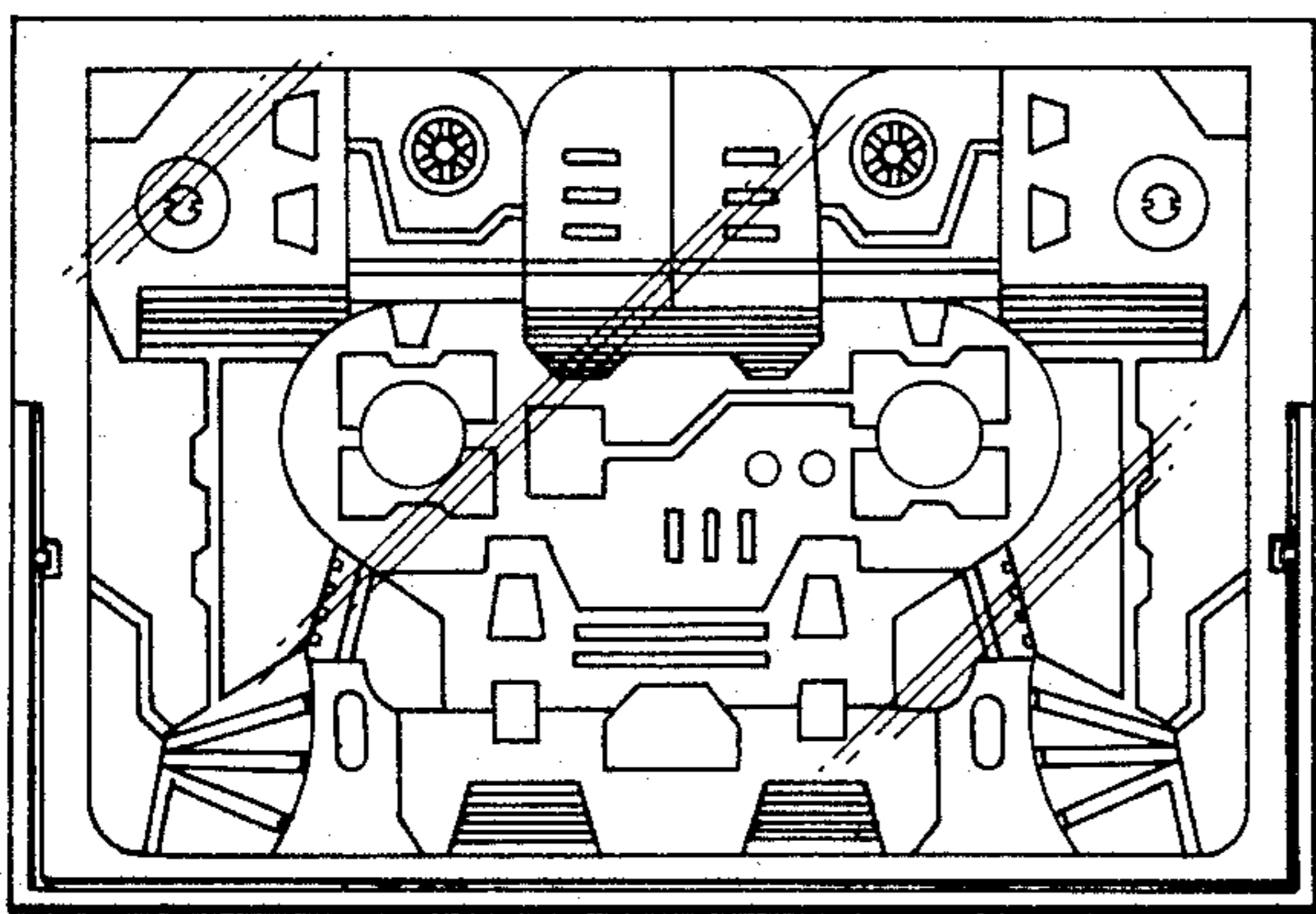


FIG. 1

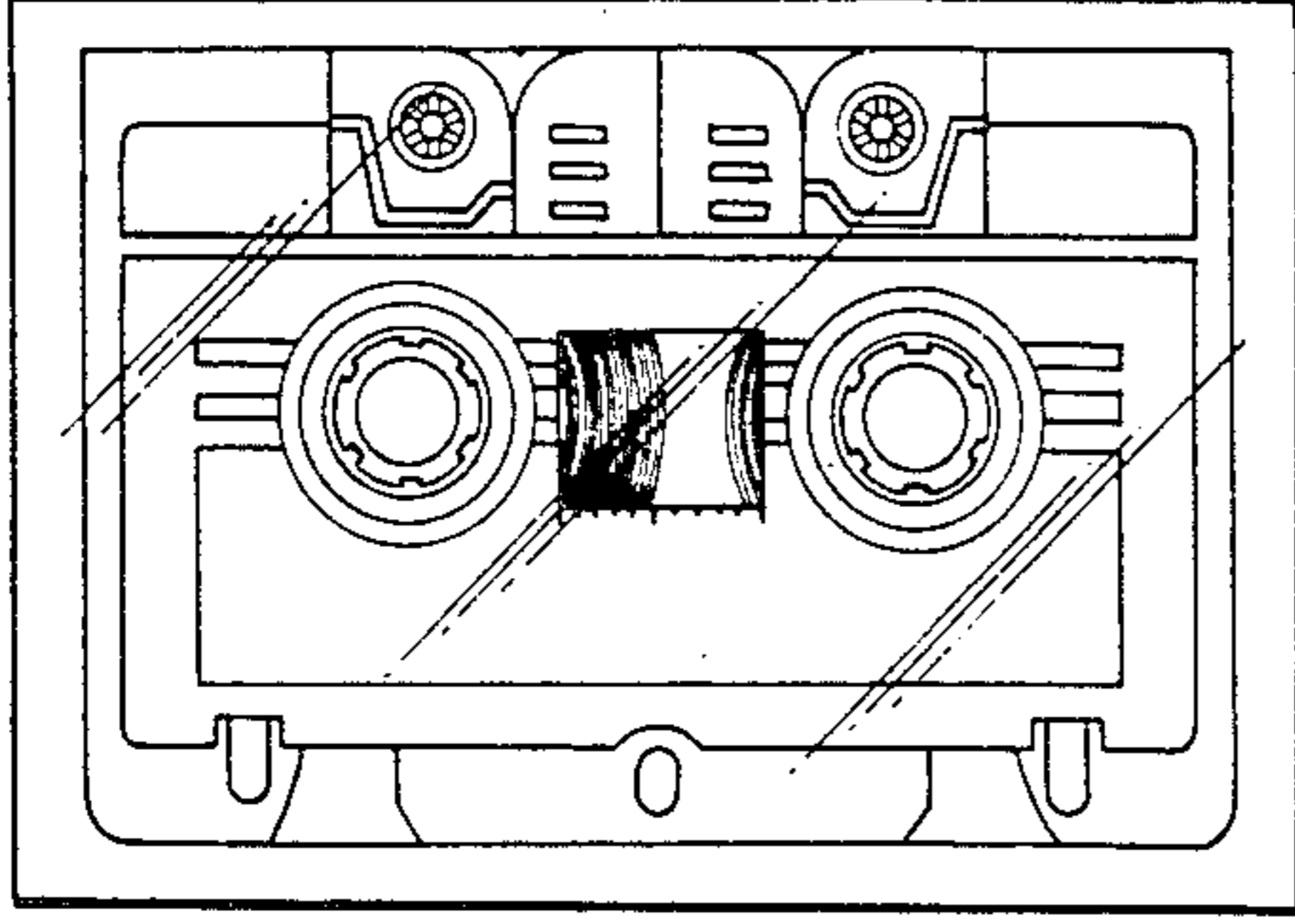


FIG. 2

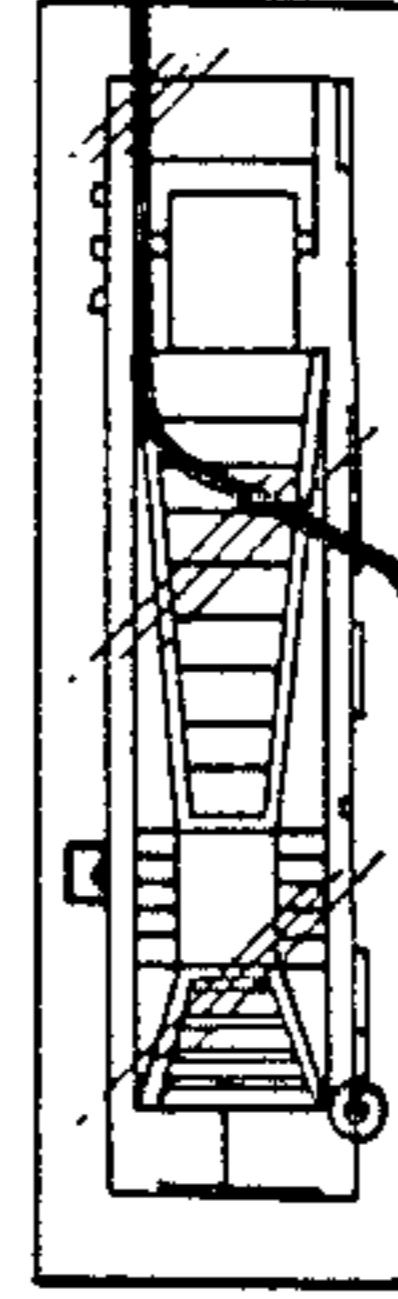


FIG. 4

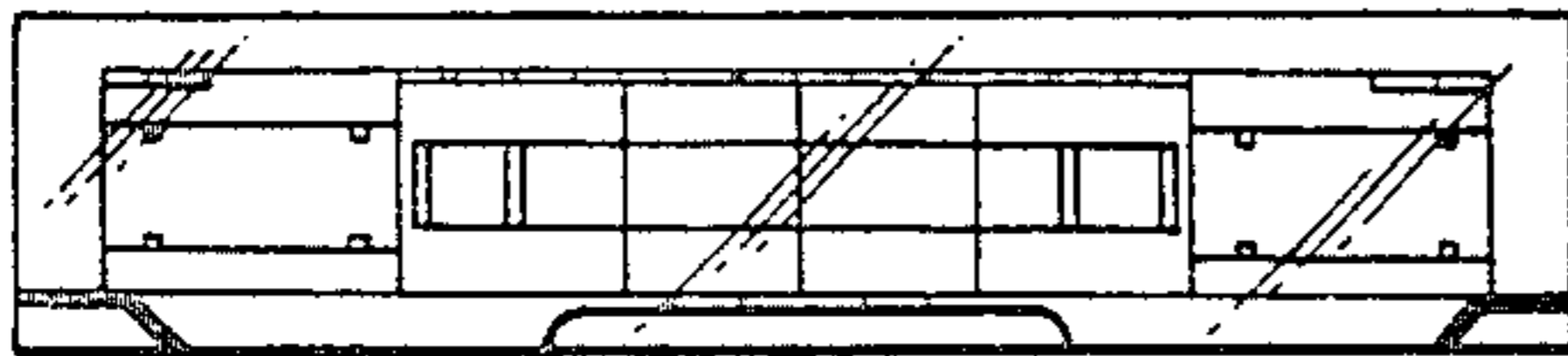


FIG. 5

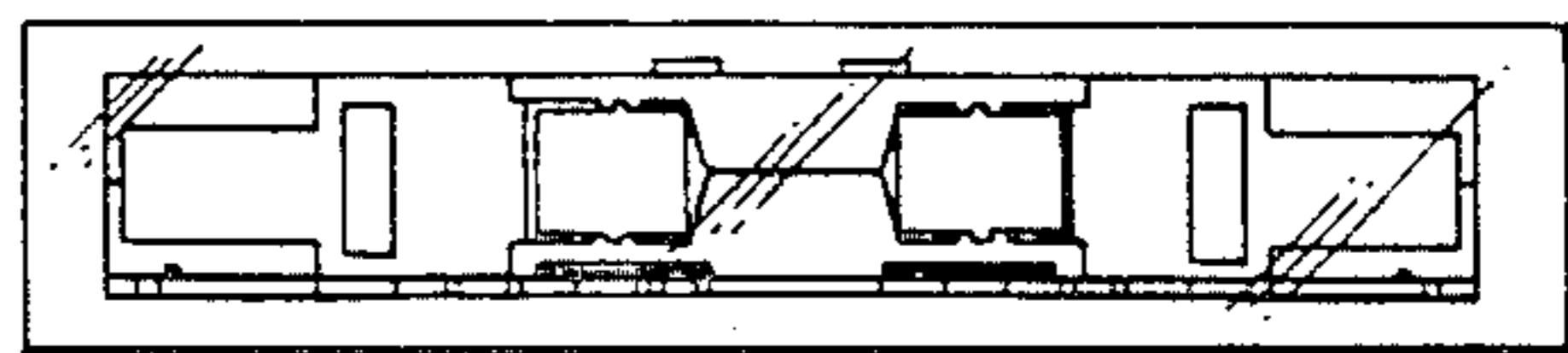


FIG. 3

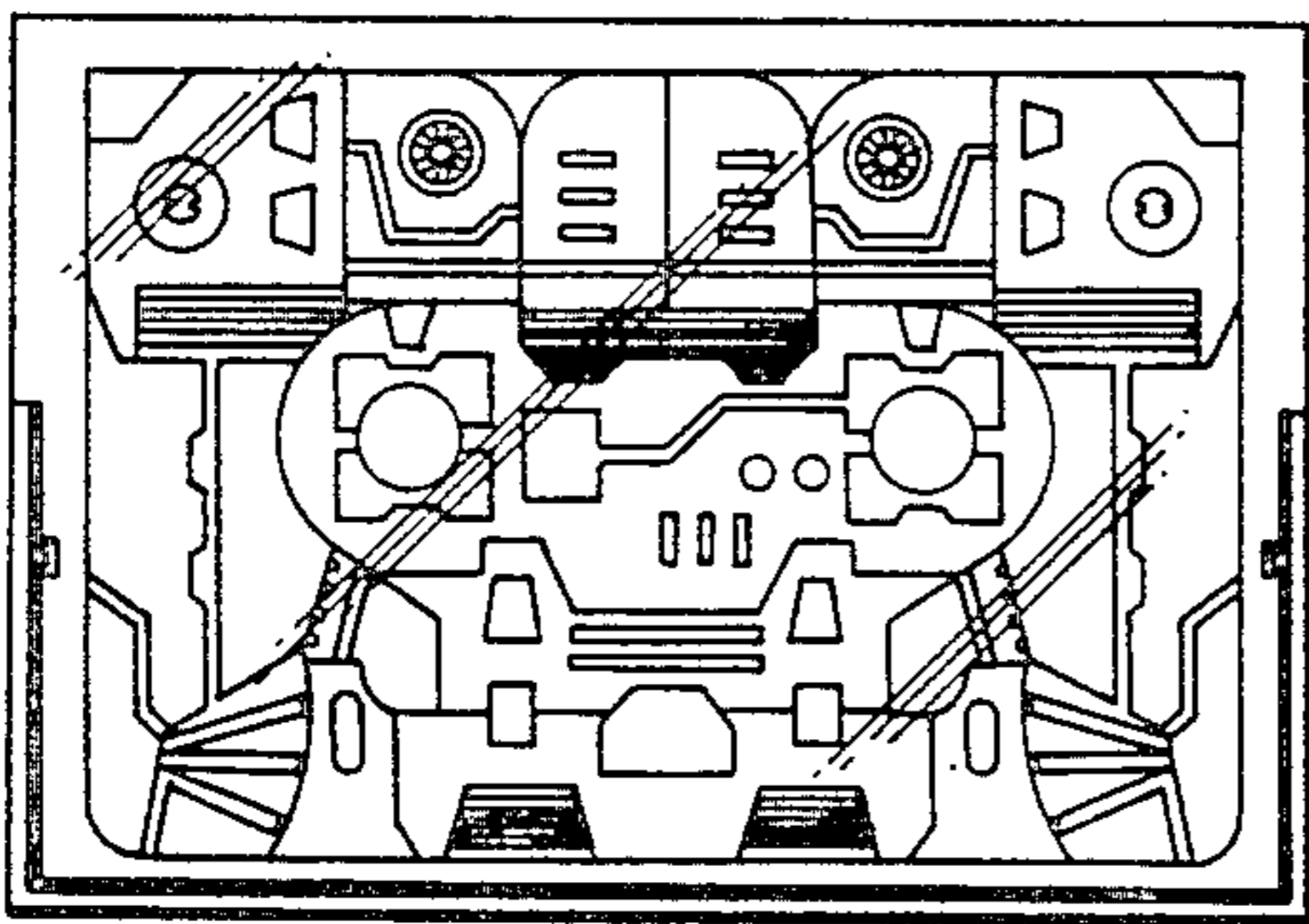


FIG. 6

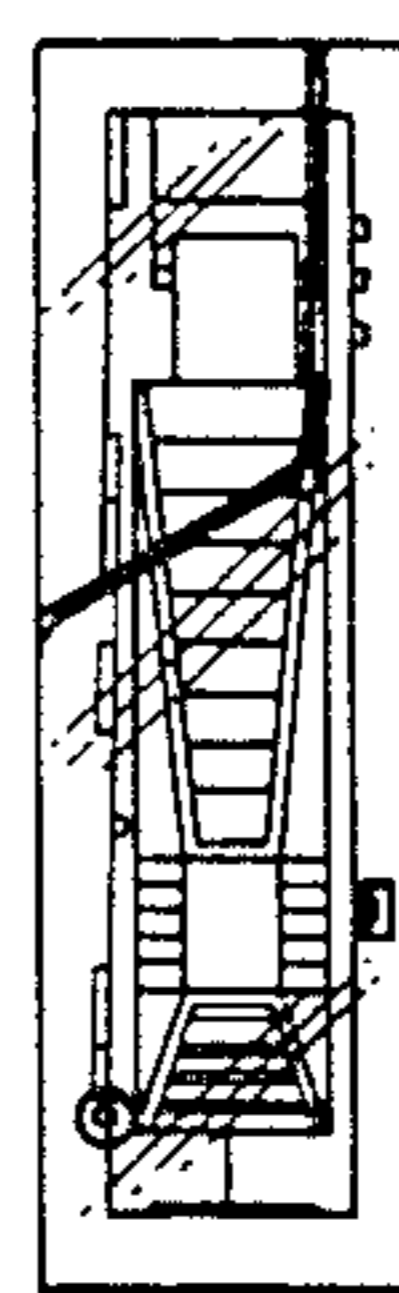


FIG. 7

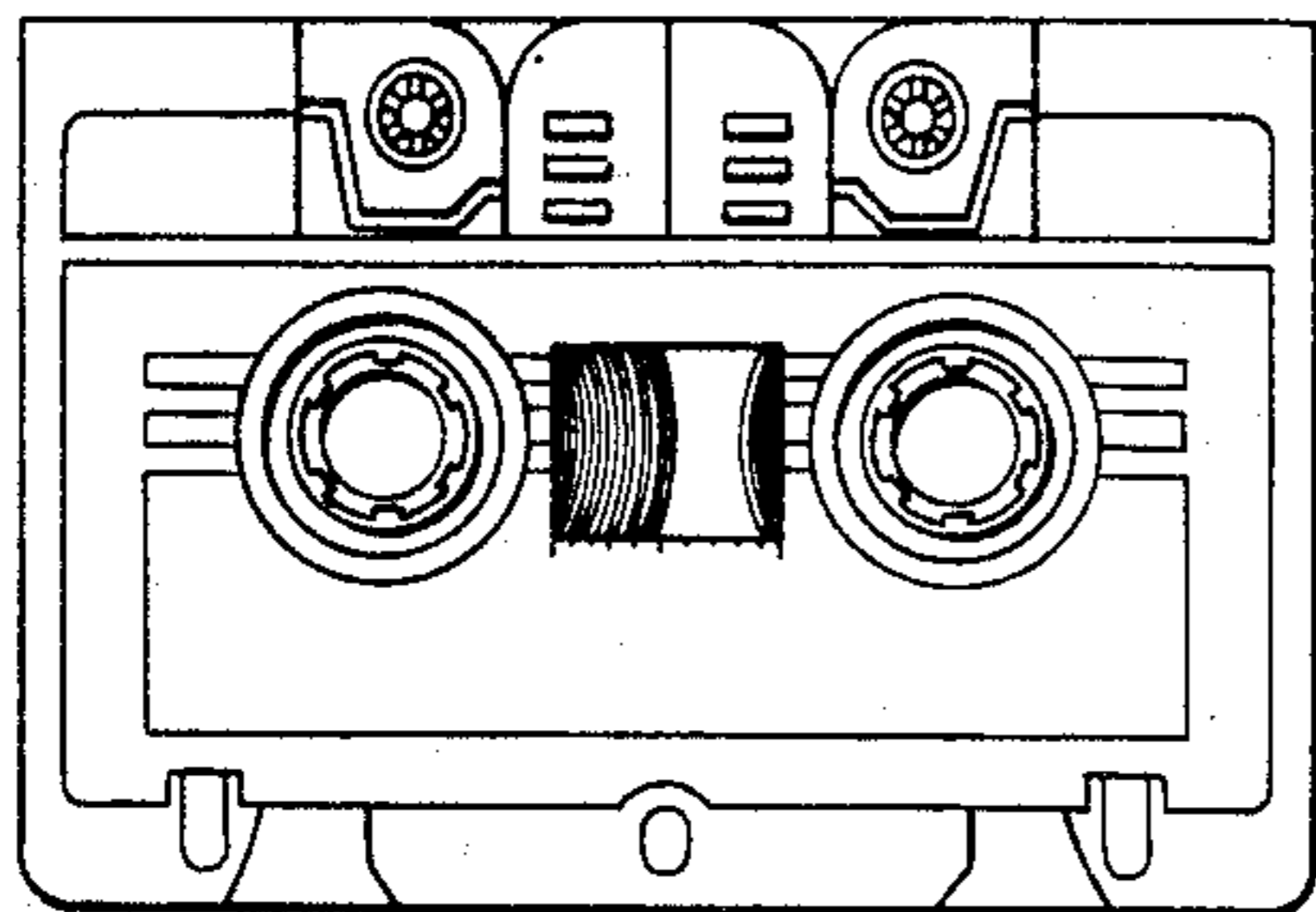


FIG. 8



FIG. 10

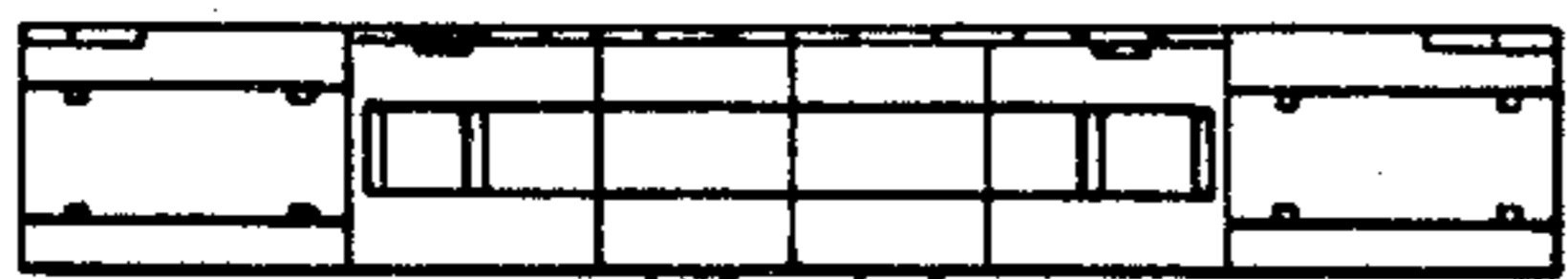


FIG. 11



FIG. 9

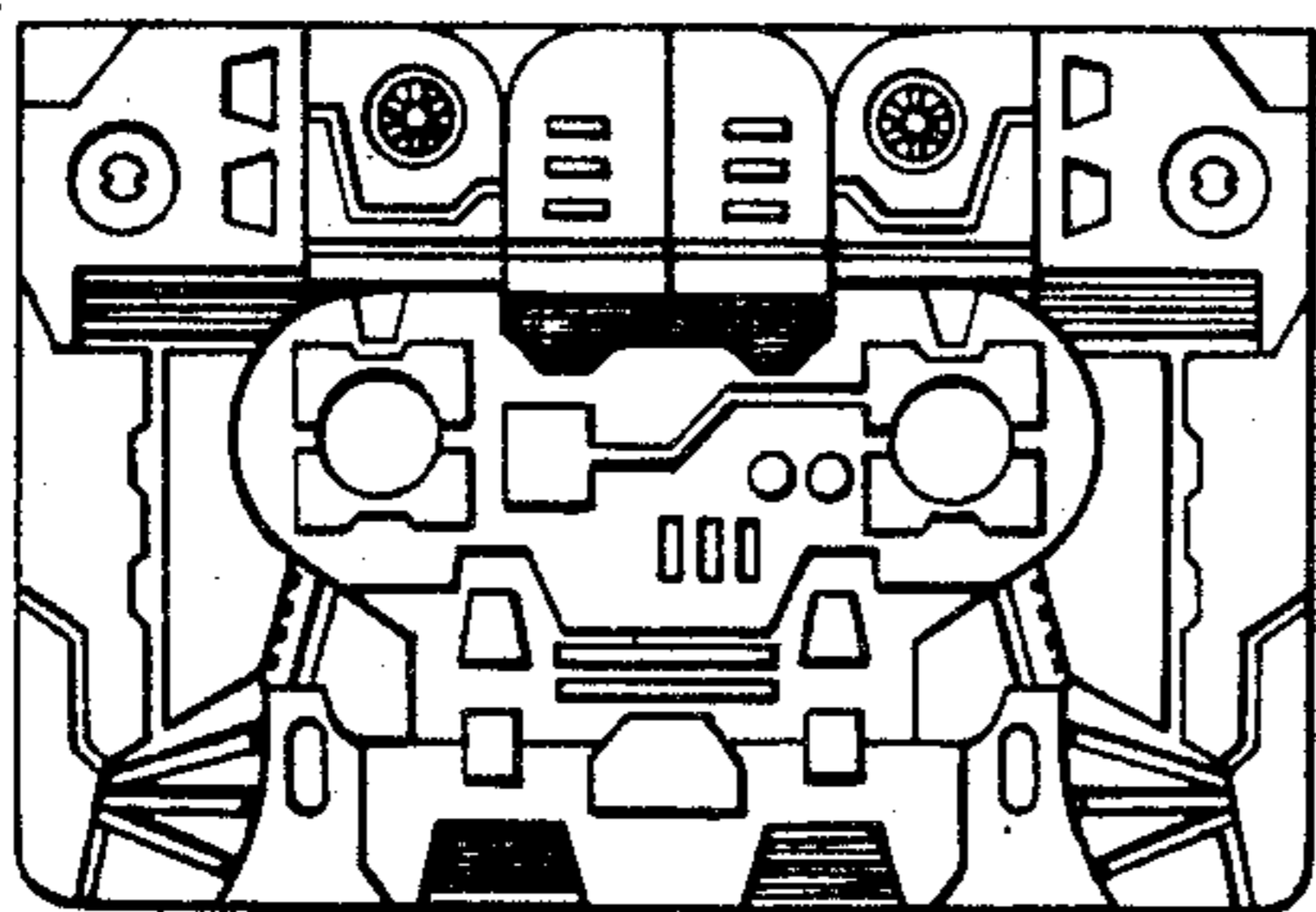


FIG. 12

