

[54] TOY CATAPULT

[76] Inventor: Roger Tami, 3403 Honeywood St., Eugene, Oreg. 97401-4654

[**] Term: 14 Years

[21] Appl. No.: 633,528

[22] Filed: Jul. 23, 1984

[52] U.S. Cl. D21/2; D21/210

[58] Field of Search D21/2, 210; 124/4, 6, 124/7

[56] References Cited

U.S. PATENT DOCUMENTS

D. 138,093	6/1944	Schlitz	D21/2
1,262,218	4/1918	Lindenberg, Jr.	124/4
3,622,160	11/1971	Barfield	124/4
3,662,728	5/1972	Retrum	124/4

FOREIGN PATENT DOCUMENTS

1075 of 1912 United Kingdom 124/4

Primary Examiner—Melvin B. Feifer

Attorney, Agent, or Firm—Wells, St. John & Roberts

[57] CLAIM

The ornamental design for a toy catapult, as shown and described.

DESCRIPTION

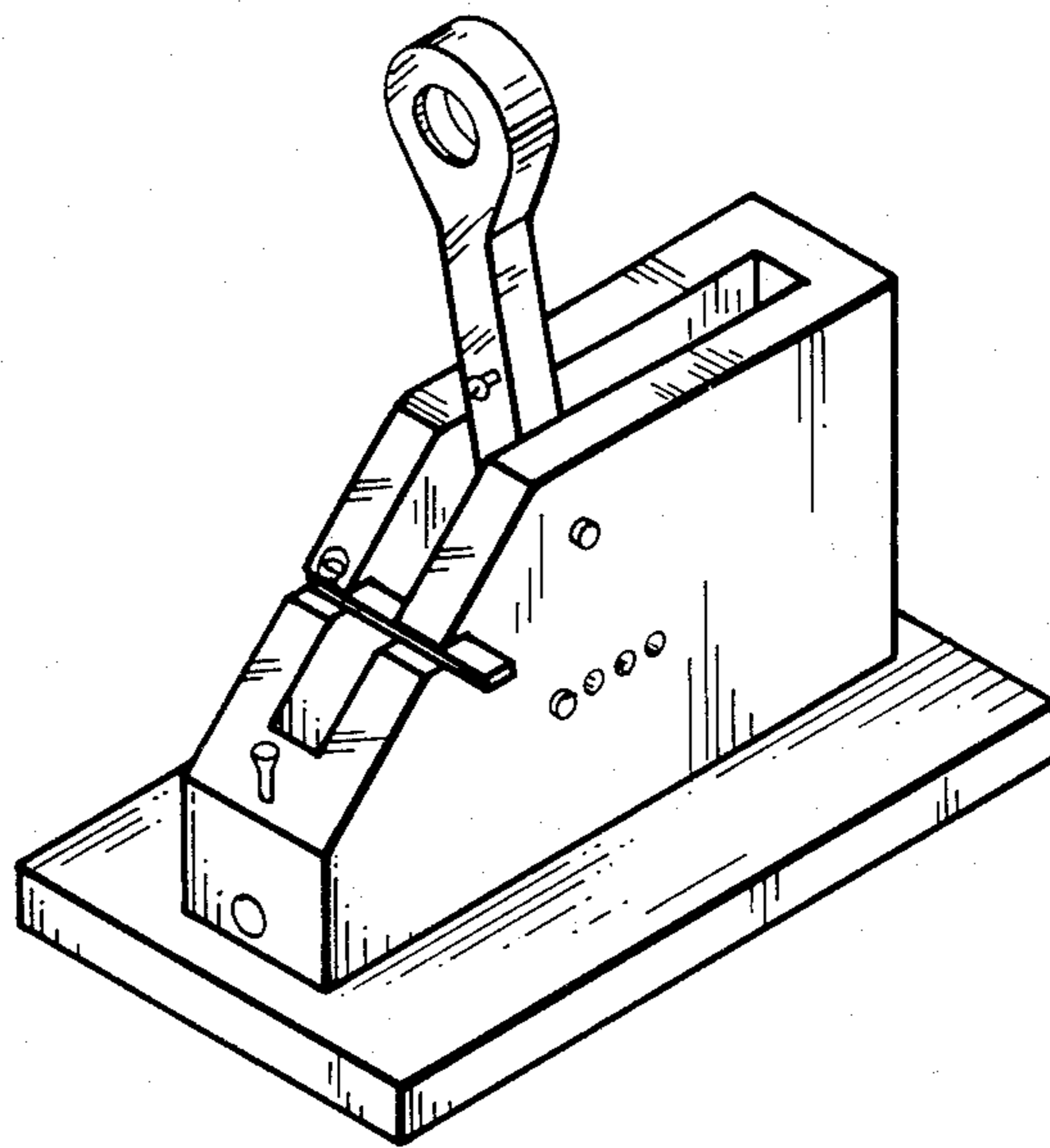
FIG. 1 is a top perspective view of a toy catapult showing my new design;

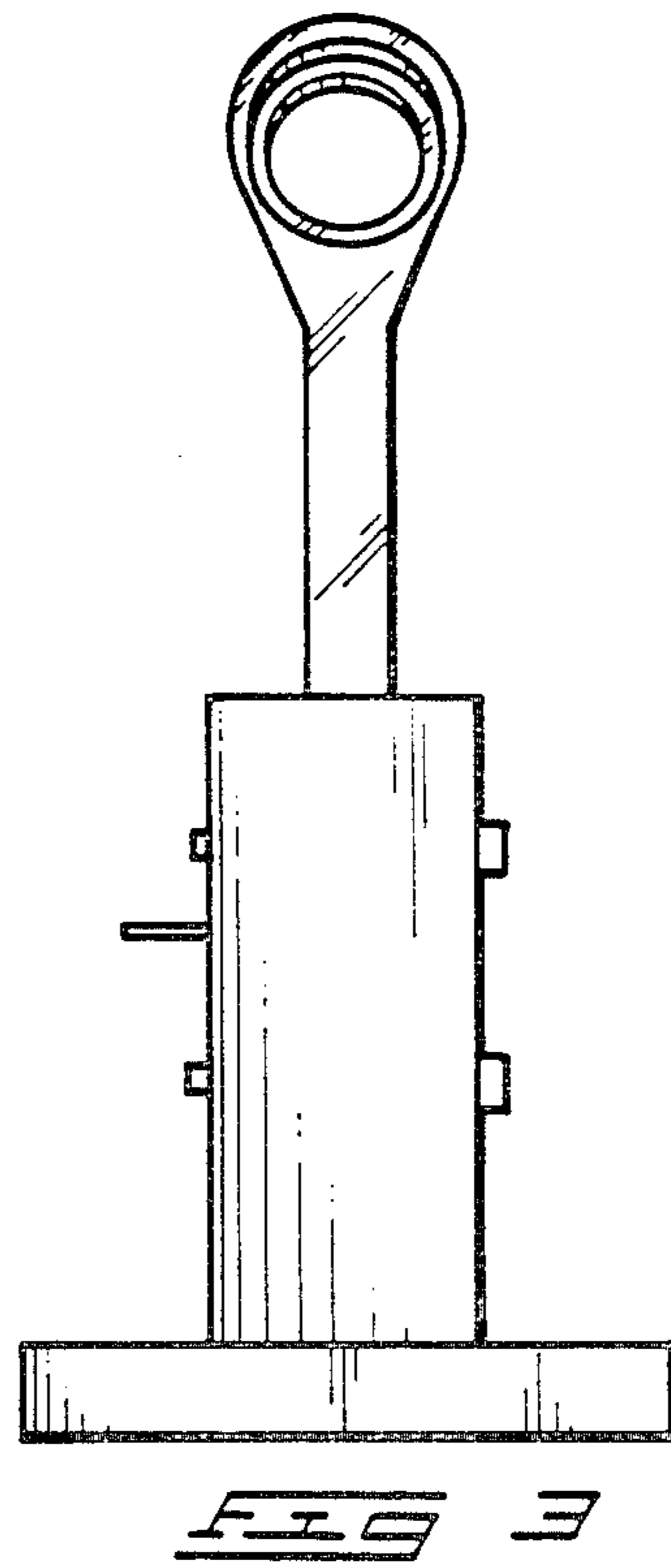
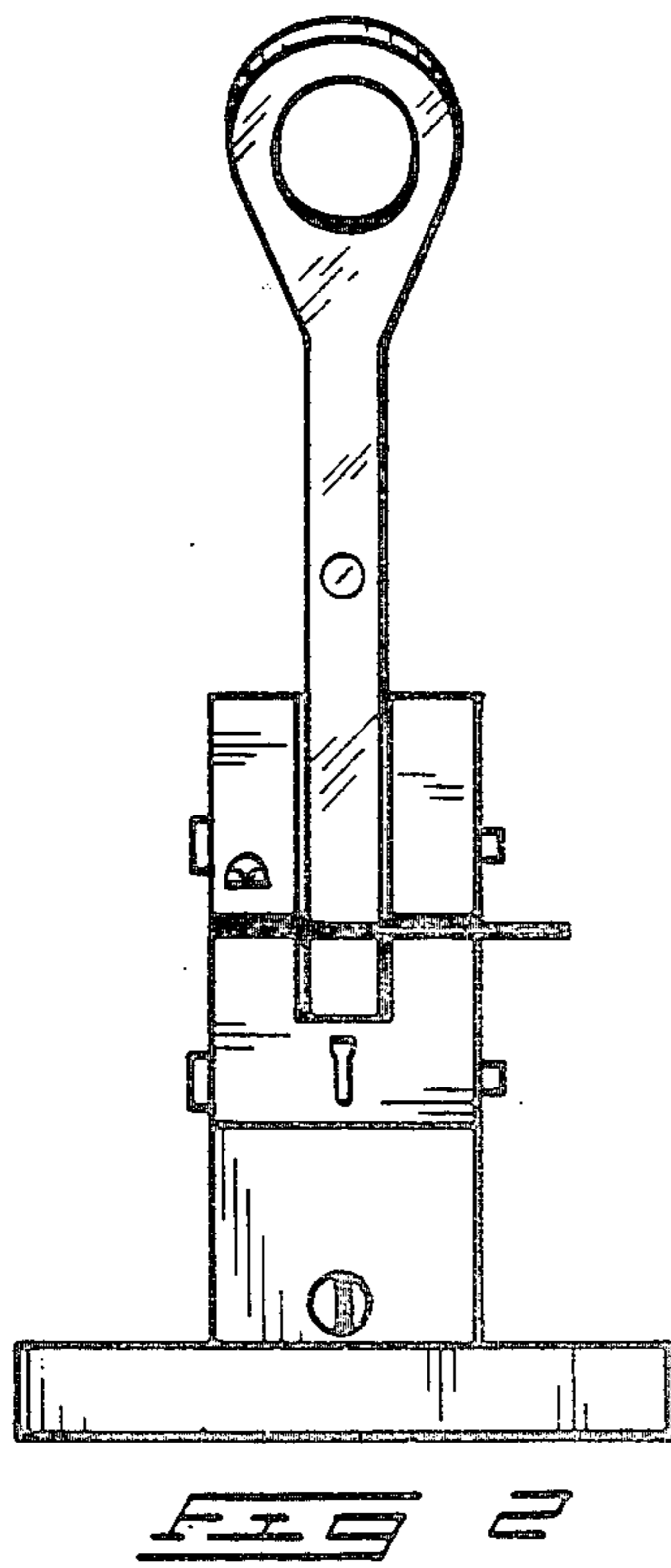
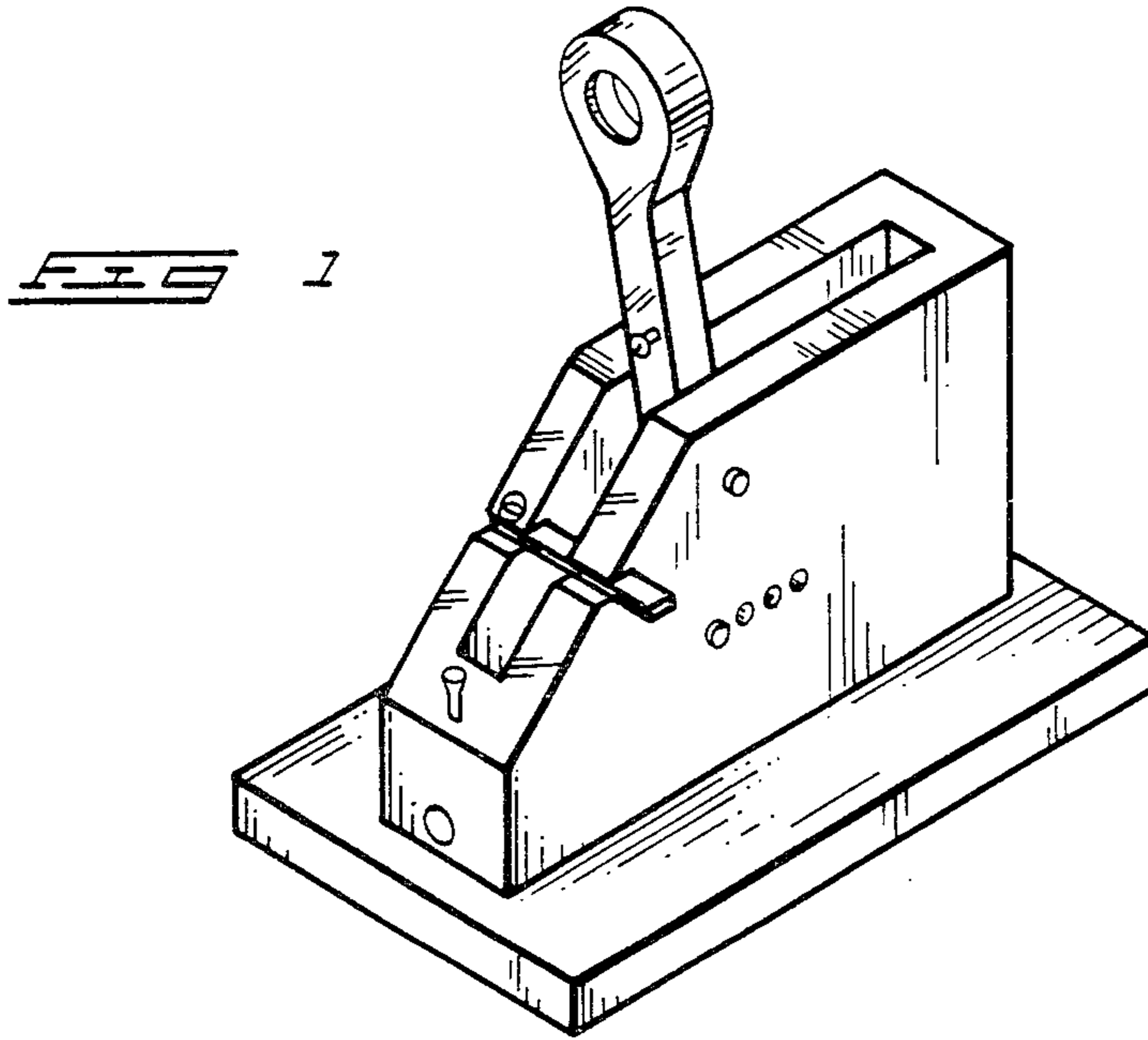
FIG. 2 is an end elevation view thereof as shown from the left in FIG. 1;

FIG. 3 is an end elevation view thereof as seen from the right in FIG. 1;

FIG. 4 is a side elevation view thereof, the opposite side being a mirror image of the side shown; and

FIG. 5 is a top plan view thereof.





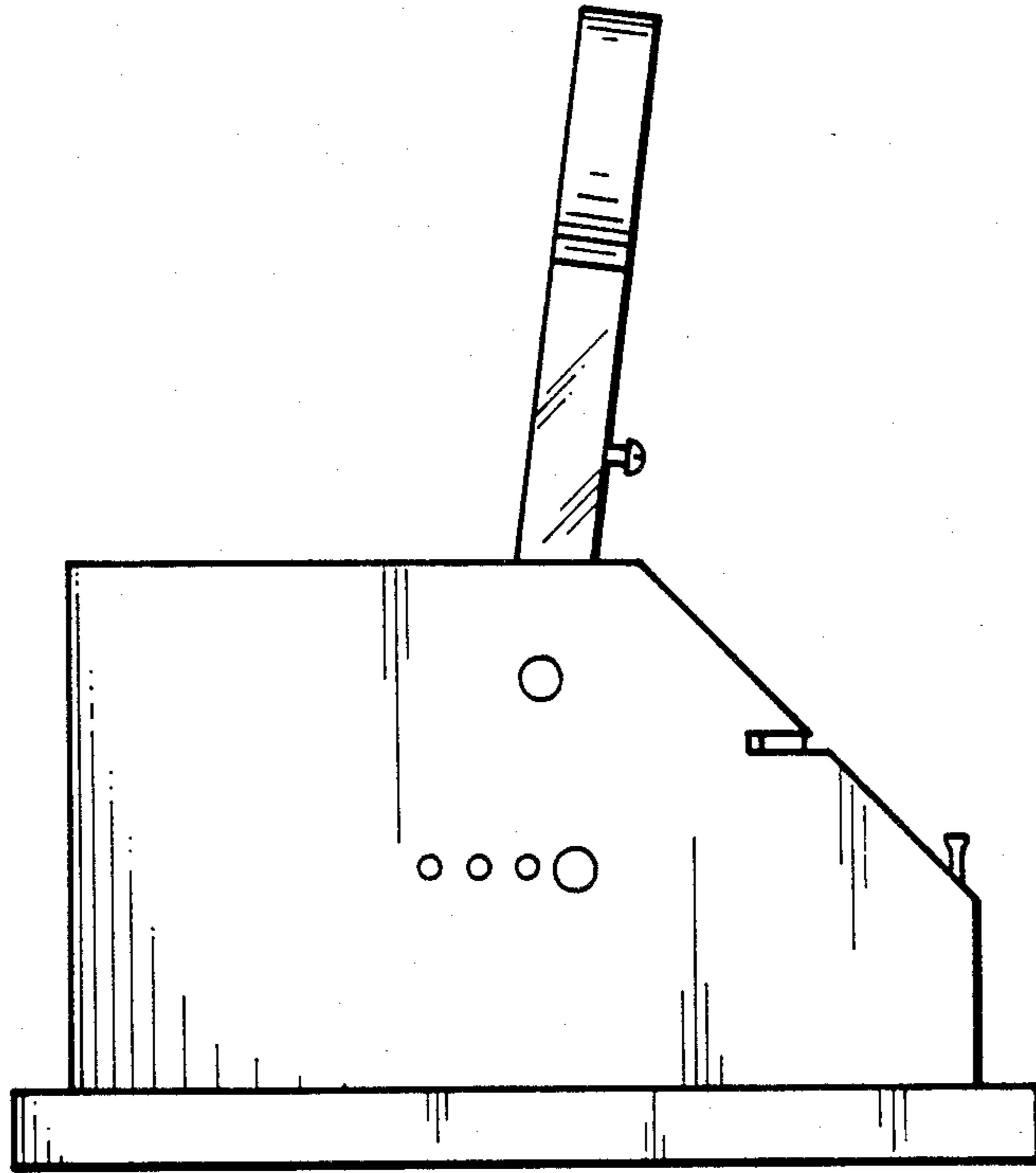


FIG 4

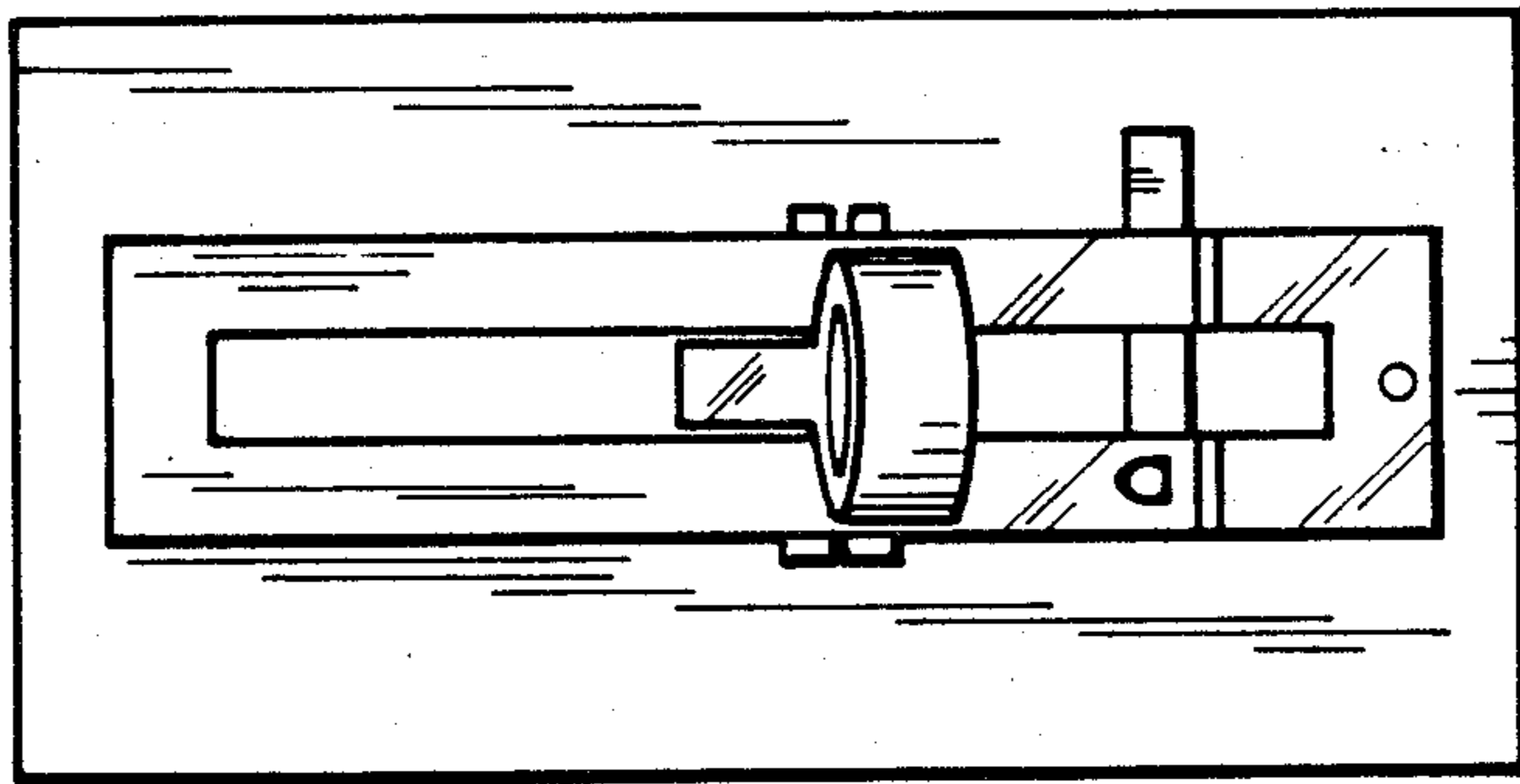


FIG 5