

[54] FOLDABLE, SELF-SUPPORTING, ADJUSTABLE BOOK HOLDER

4,555,128 11/1985 White et al. 281/45

[76] Inventor: Liborio D. Morales, c/o Gennette Pearson, 7 S. Alisos St., Santa Barbara, Calif. 93101

Primary Examiner—George P. Word
Attorney, Agent, or Firm—Daniel J. Meaney, Jr.

[**] Term: 14 Years

[57] CLAIM

The ornamental design for a foldable self-supporting, adjustable book holder, as shown and described.

[21] Appl. No.: 623,250

DESCRIPTION

[22] Filed: Jun. 22, 1984

[52] U.S. Cl. D19/91; D6/419

[58] Field of Search D19/34, 90, 91, 75; 281/42, 45-49; 248/441, 450, 455, 456, 460; D6/419

FIG. 1 is a front perspective view of a foldable, self-supporting, adjustable book holder showing my new design;

FIG. 2 is a rear perspective view thereof;

FIG. 3 is a front elevational view thereof;

FIG. 4 is a right-side elevational view thereof;

FIG. 5 is a left-side elevational view thereof;

FIG. 6 is a top plan view thereof;

FIG. 7 is a bottom plan view thereof; and

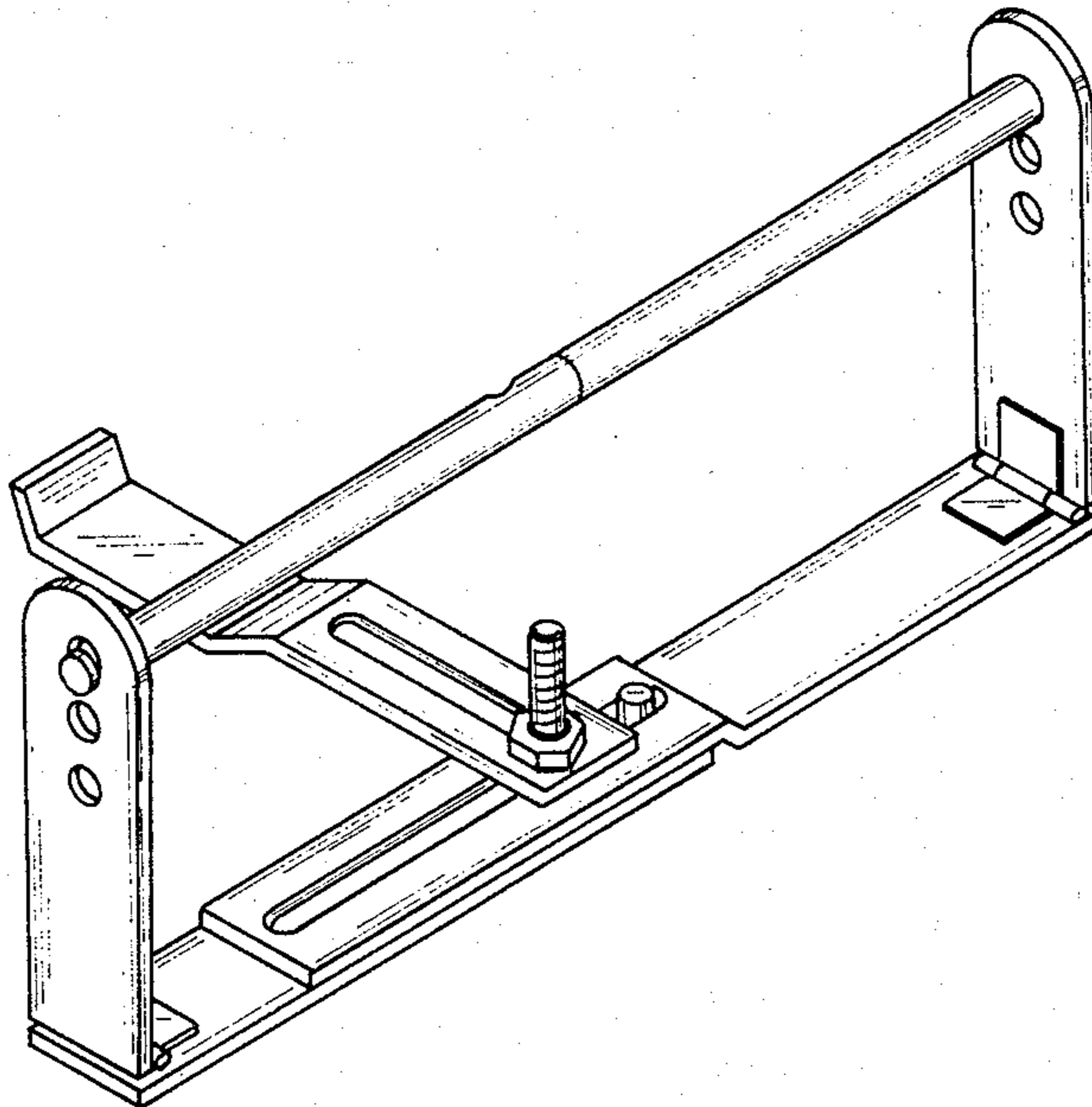
FIG. 8 is a rear elevational view thereof.

The structure shown in dotted lines is a representation of a book, and such structure is not part of the design sought to be patented.

[56] References Cited

U.S. PATENT DOCUMENTS

3,833,197	9/1974	Dyke	281/45
4,460,146	7/1984	Raggiotti	281/45
4,470,571	9/1984	Hartman	281/45
4,512,542	4/1985	Black	D6/419



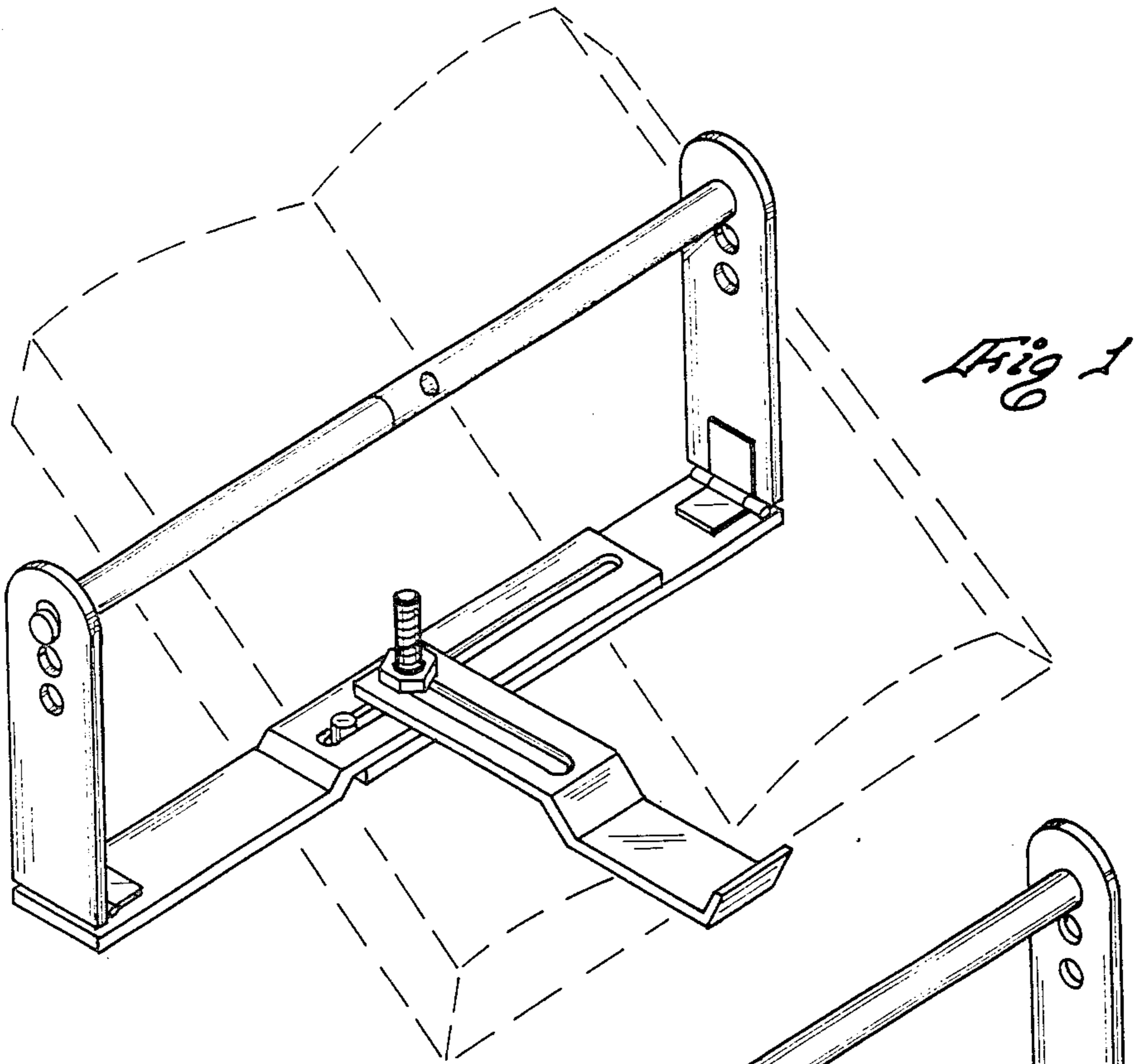


Fig 2

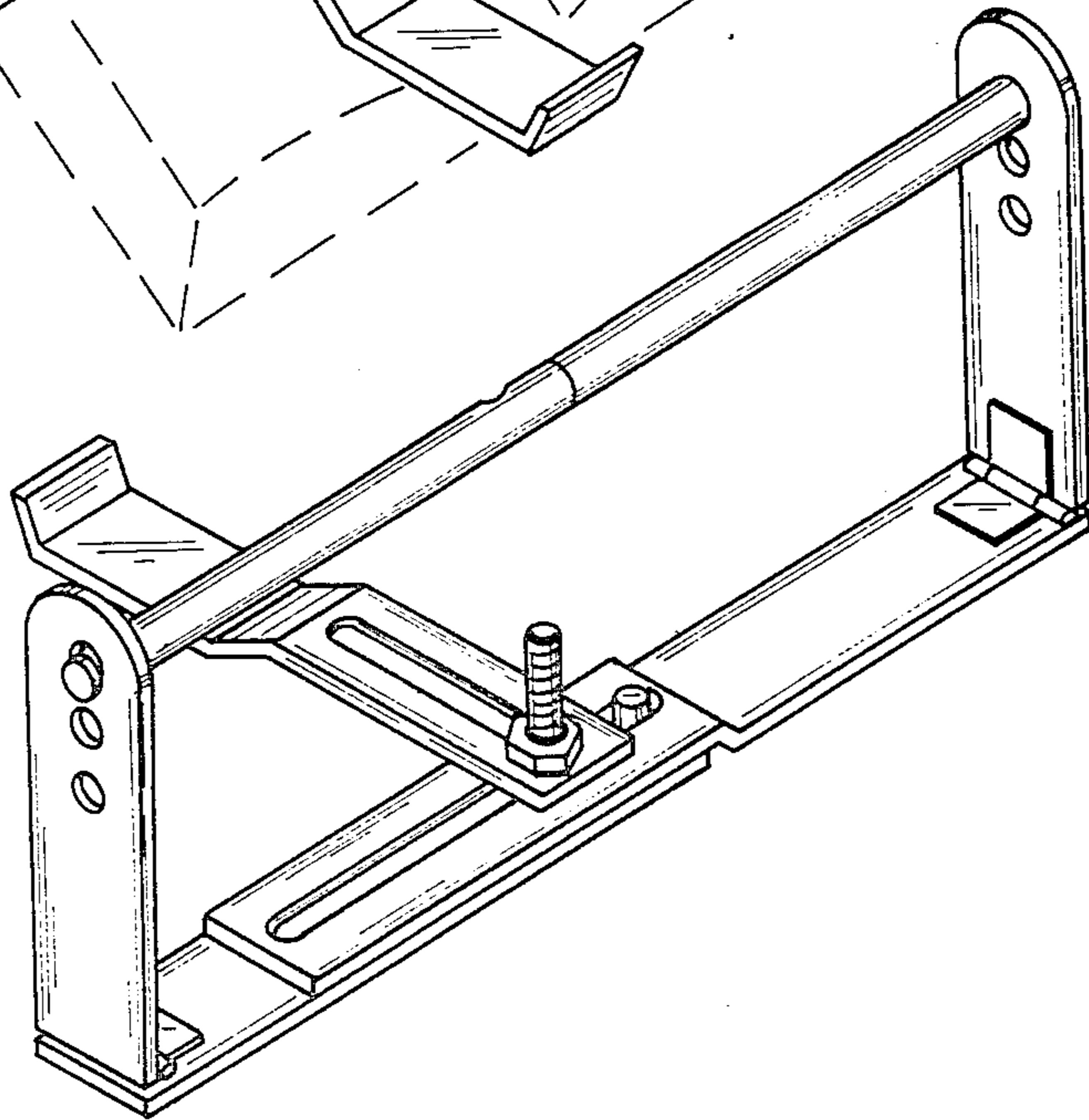
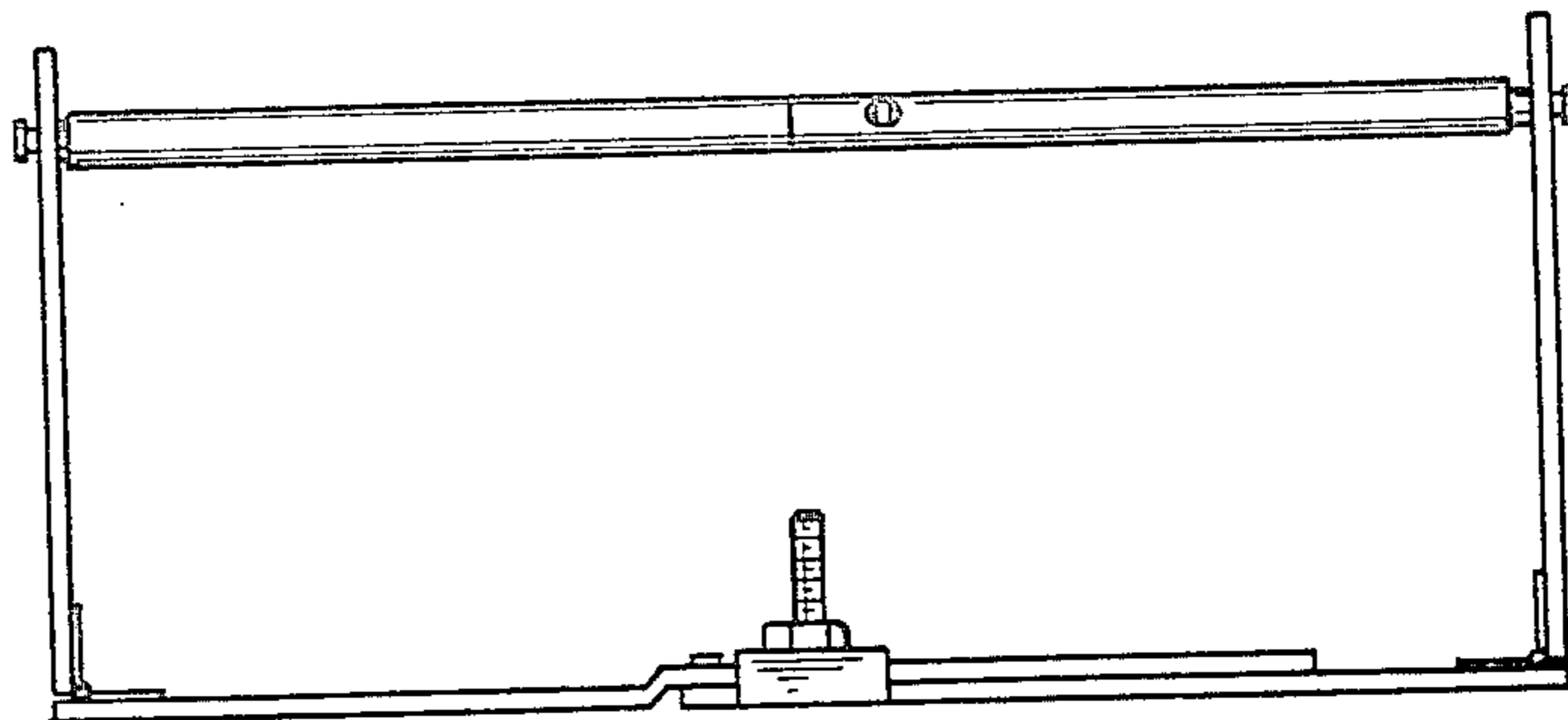


Fig 3



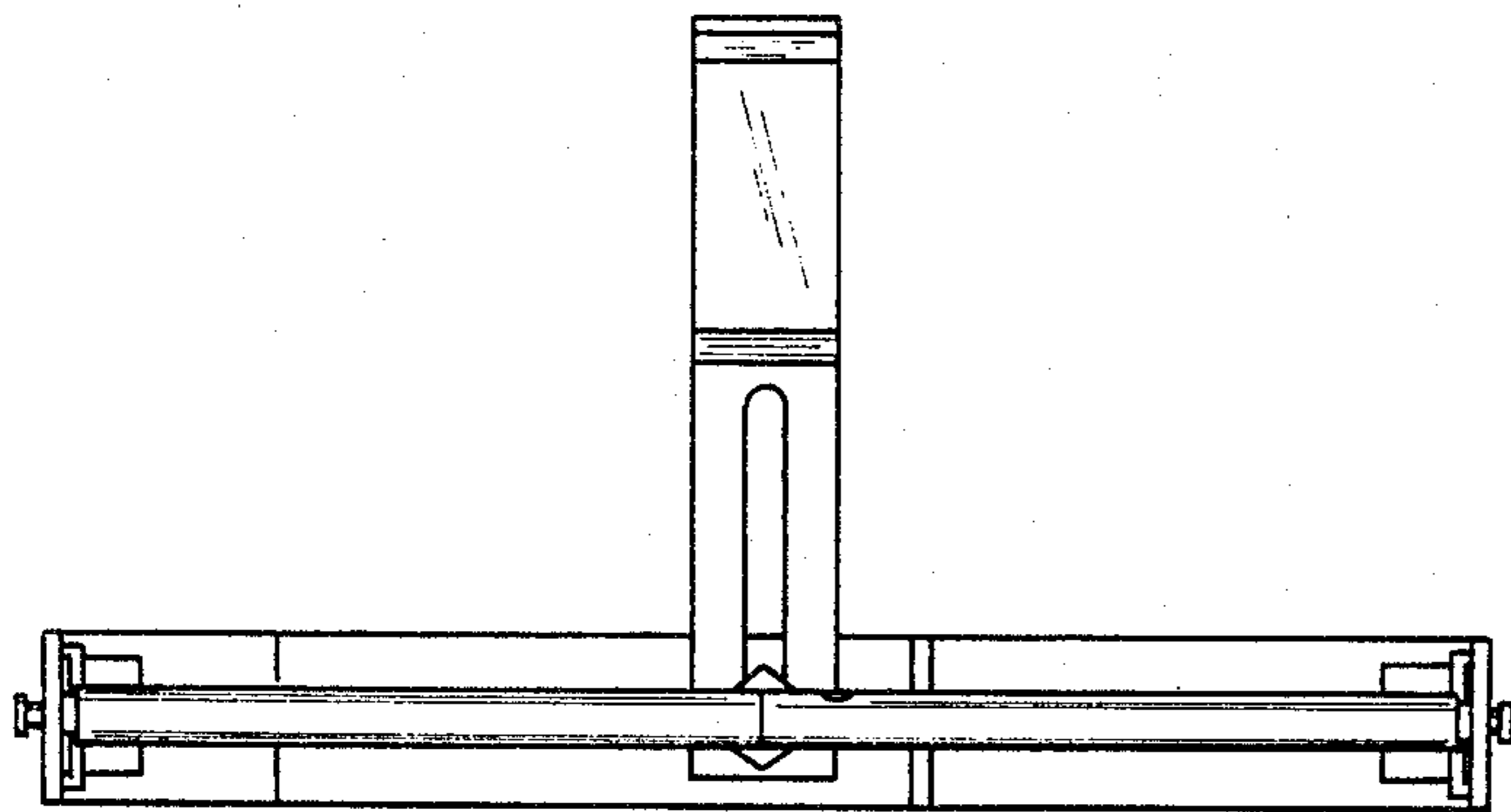
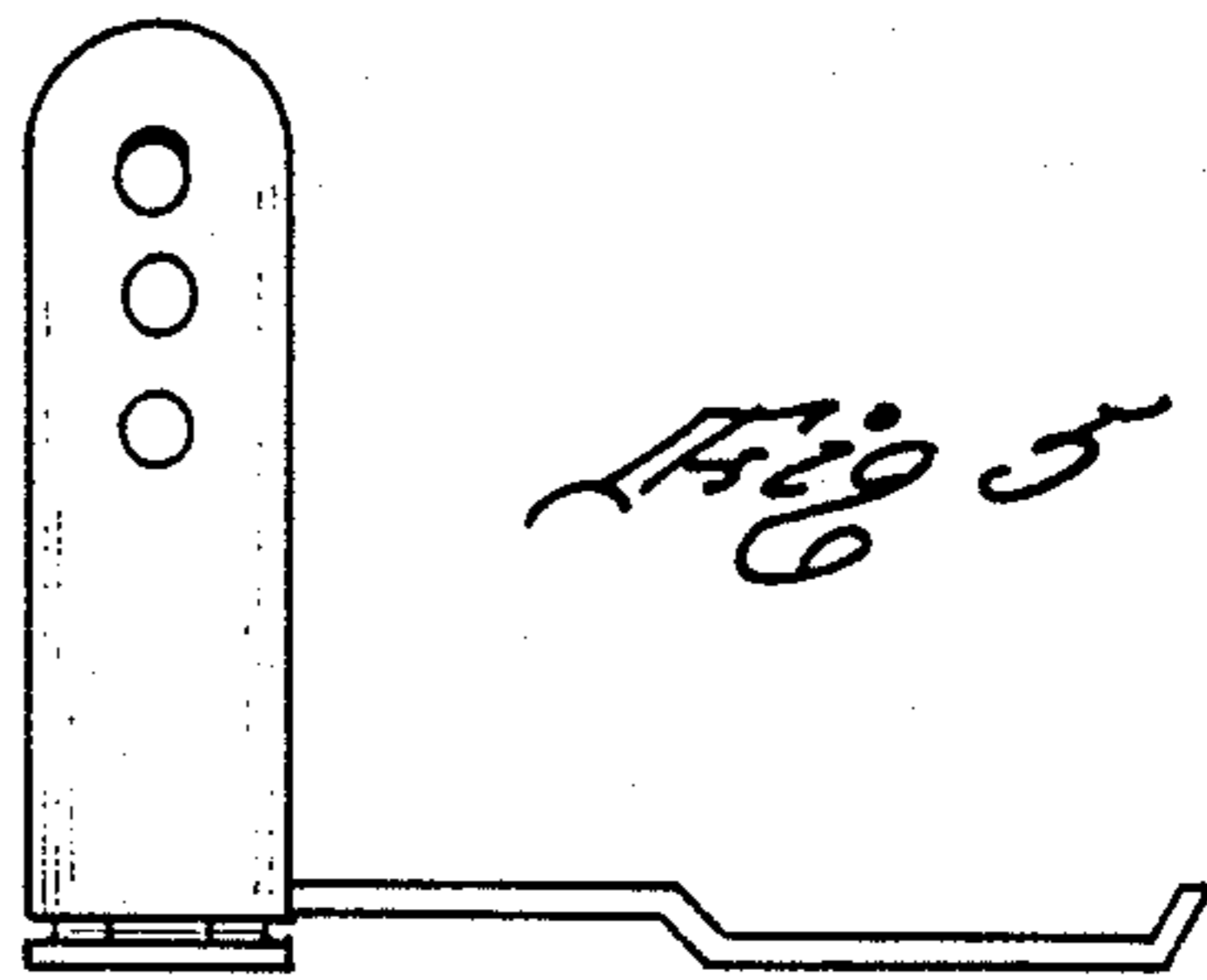
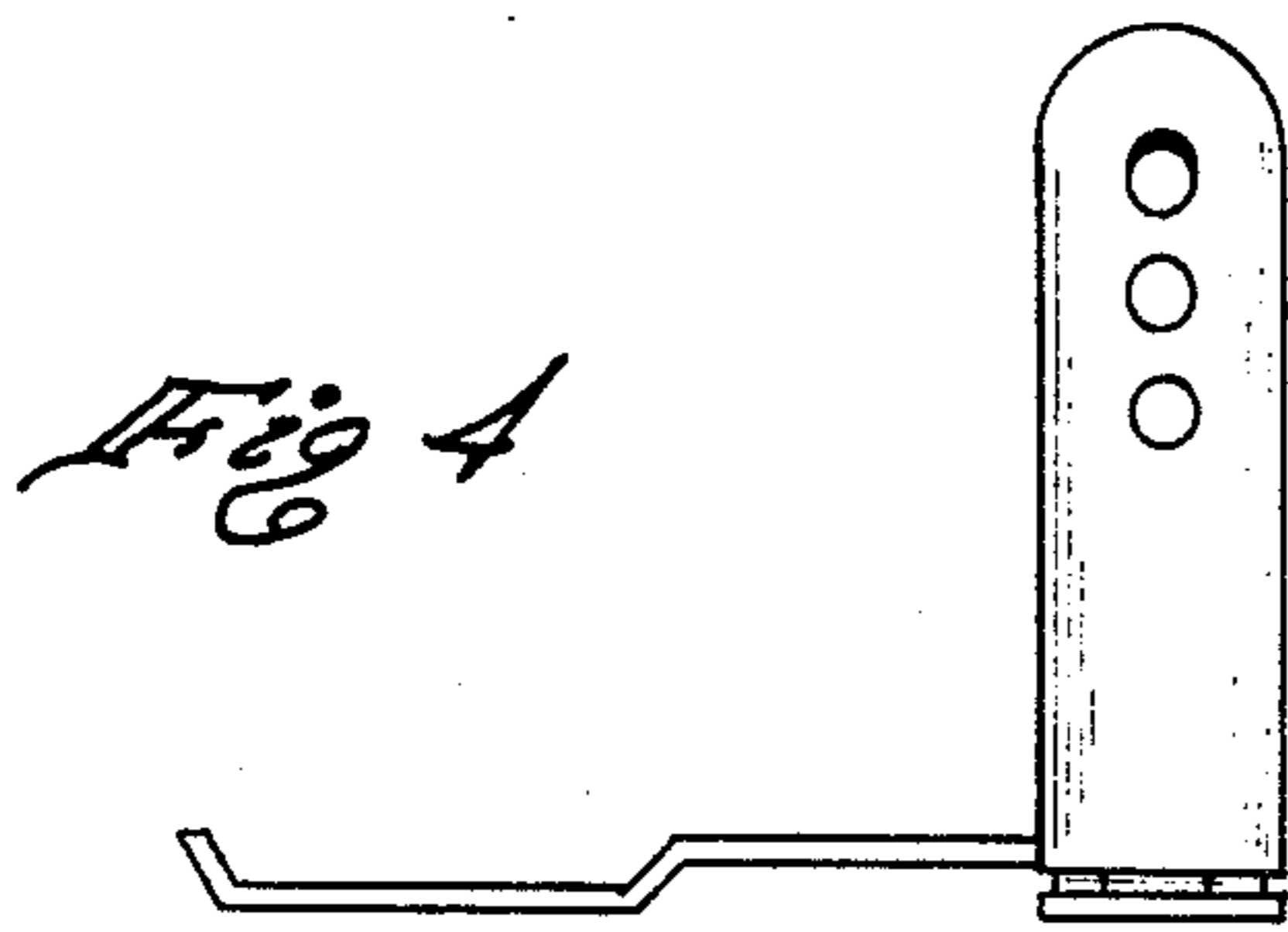


Fig 6

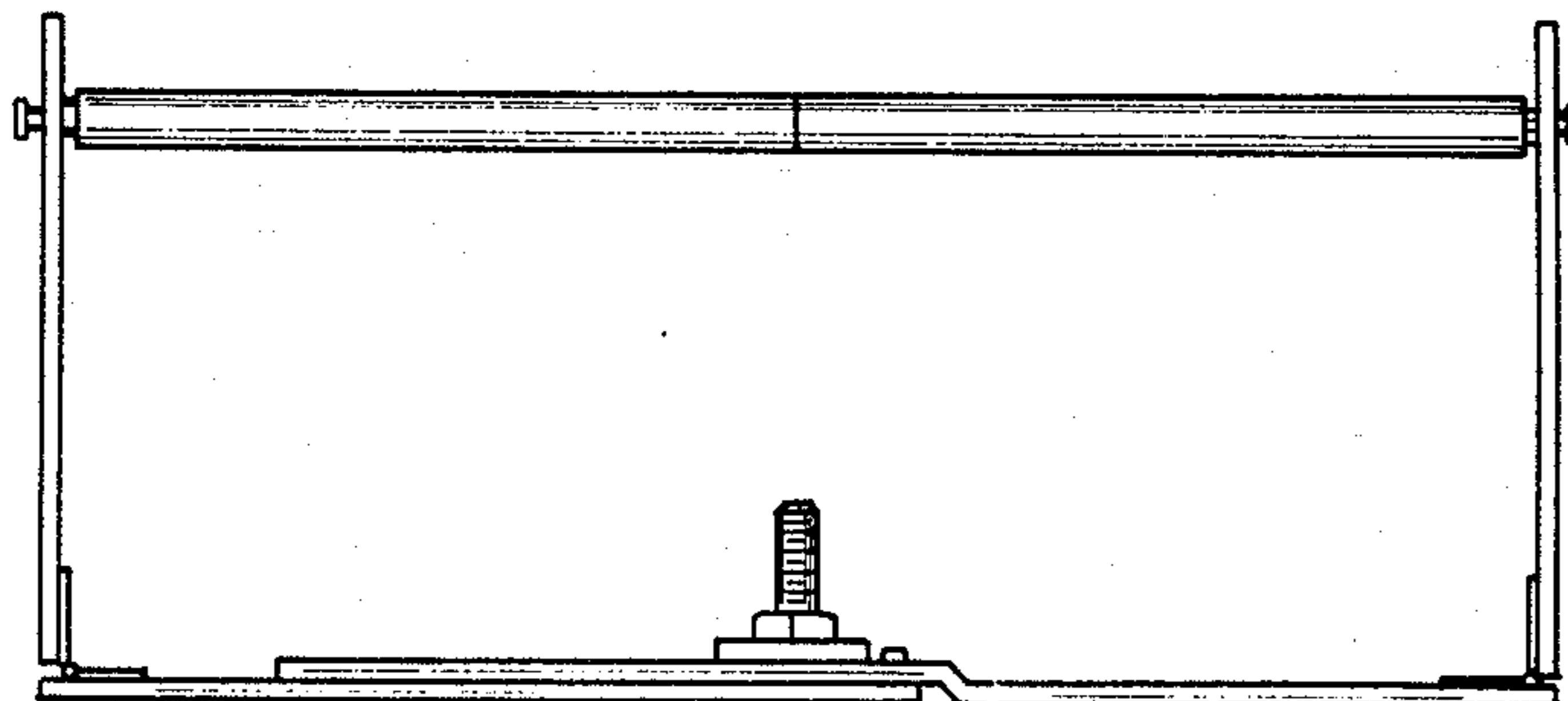


Fig 8

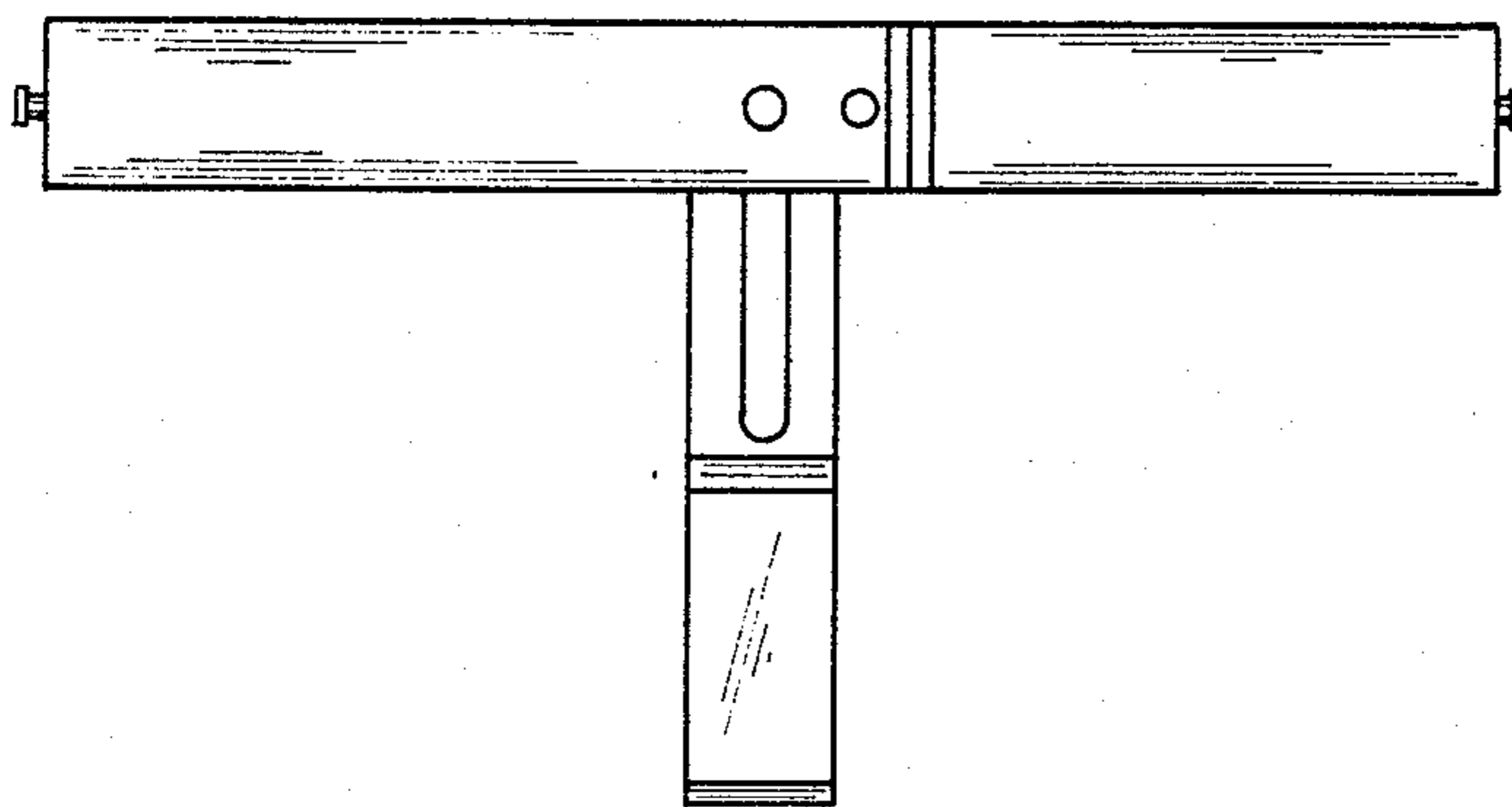


Fig 7