

[54] **BINDING MACHINE**

[75] **Inventor: Hans P. Nordgren, Gustavsberg, Sweden**

[73] **Assignee: Semotex AB, Stockholm, Sweden**

[\*\*] **Term: 14 Years**

[21] **Appl. No.: 640,361**

[22] **Filed: Aug. 13, 1984**

[30] **Foreign Application Priority Data**

Feb. 13, 1984 [SE] Sweden ..... 84-0448

[52] **U.S. Cl. .... D18/34**

[58] **Field of Search ..... D18/34, 99; 412/20, 412/38, 43, 900, 902**

[56] **References Cited**

**U.S. PATENT DOCUMENTS**

D. 263,970 4/1982 Wilholm ..... D18/34  
4,141,100 2/1979 Domroe et al. .... 412/38 X  
4,178,201 12/1979 Power ..... 412/20 X

*Primary Examiner—Louis S. Zarfes*

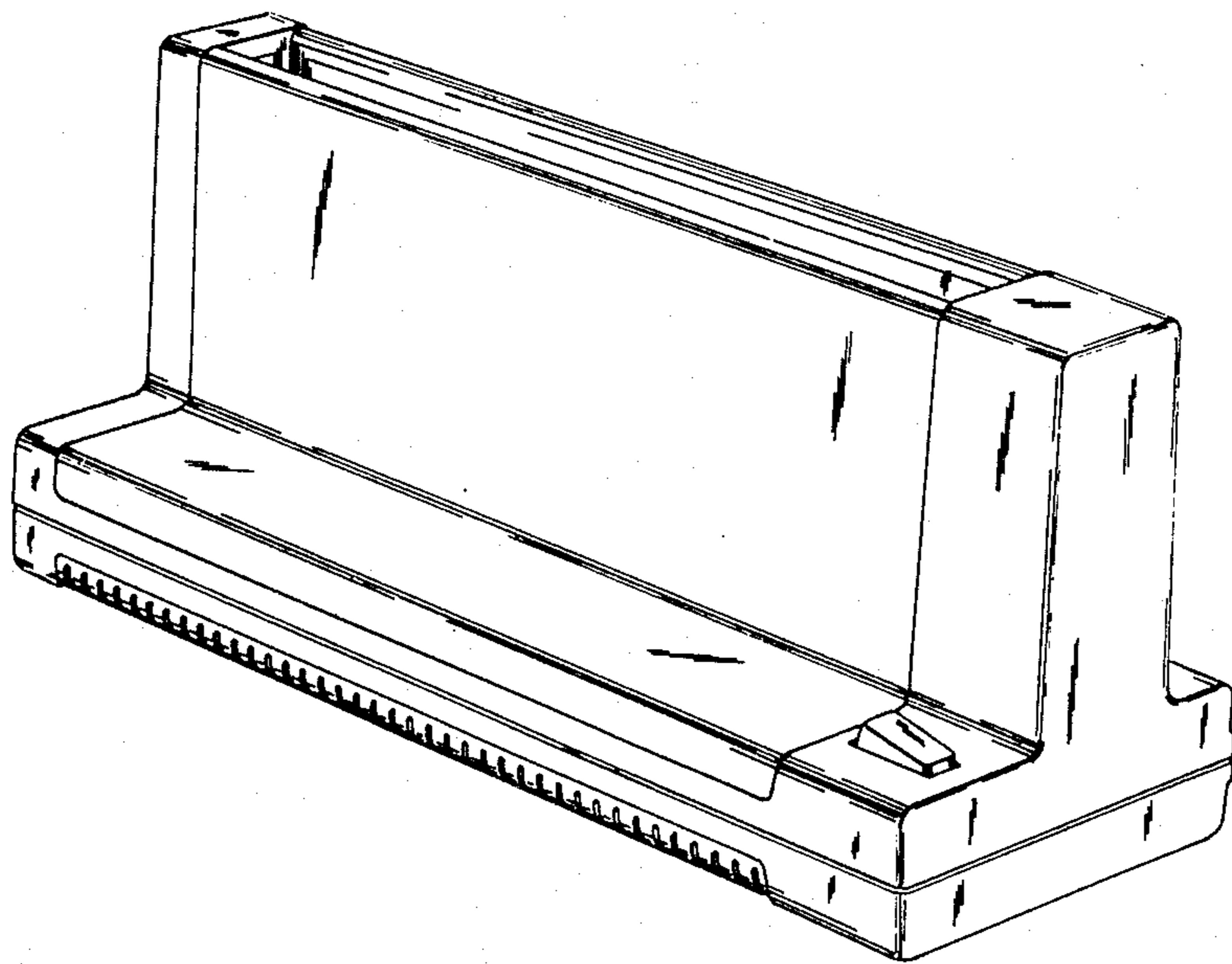
*Attorney, Agent, or Firm—Barnes & Thornburg*

[57] **CLAIM**

The ornamental design for a binding machine, as shown.

**DESCRIPTION**

FIG. 1 is a top, front and side perspective view of a binding machine showing my new design; and FIG. 2 is a top and back perspective view thereof; and FIG. 3 is a bottom, back and side perspective view thereof.



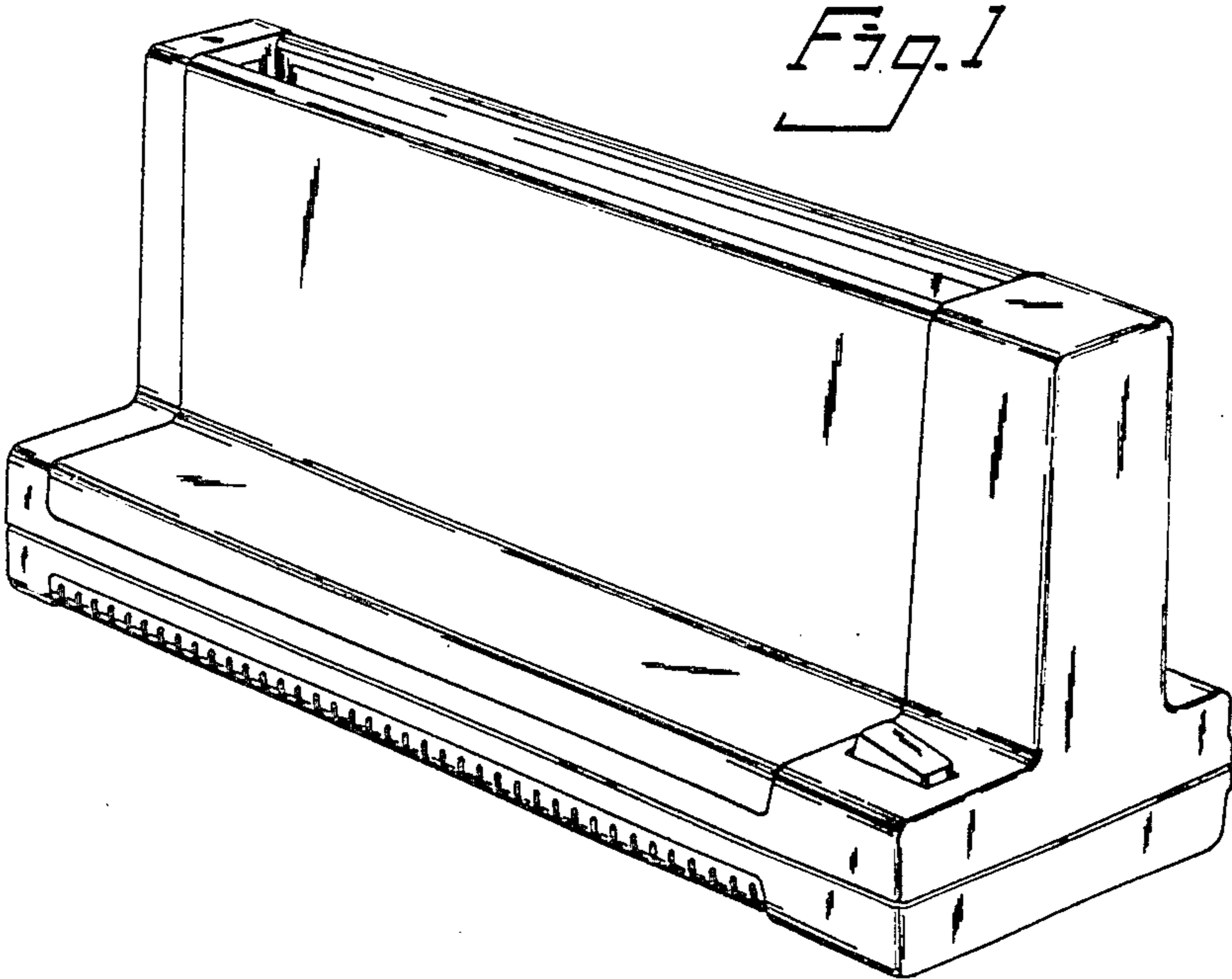


Fig. 2

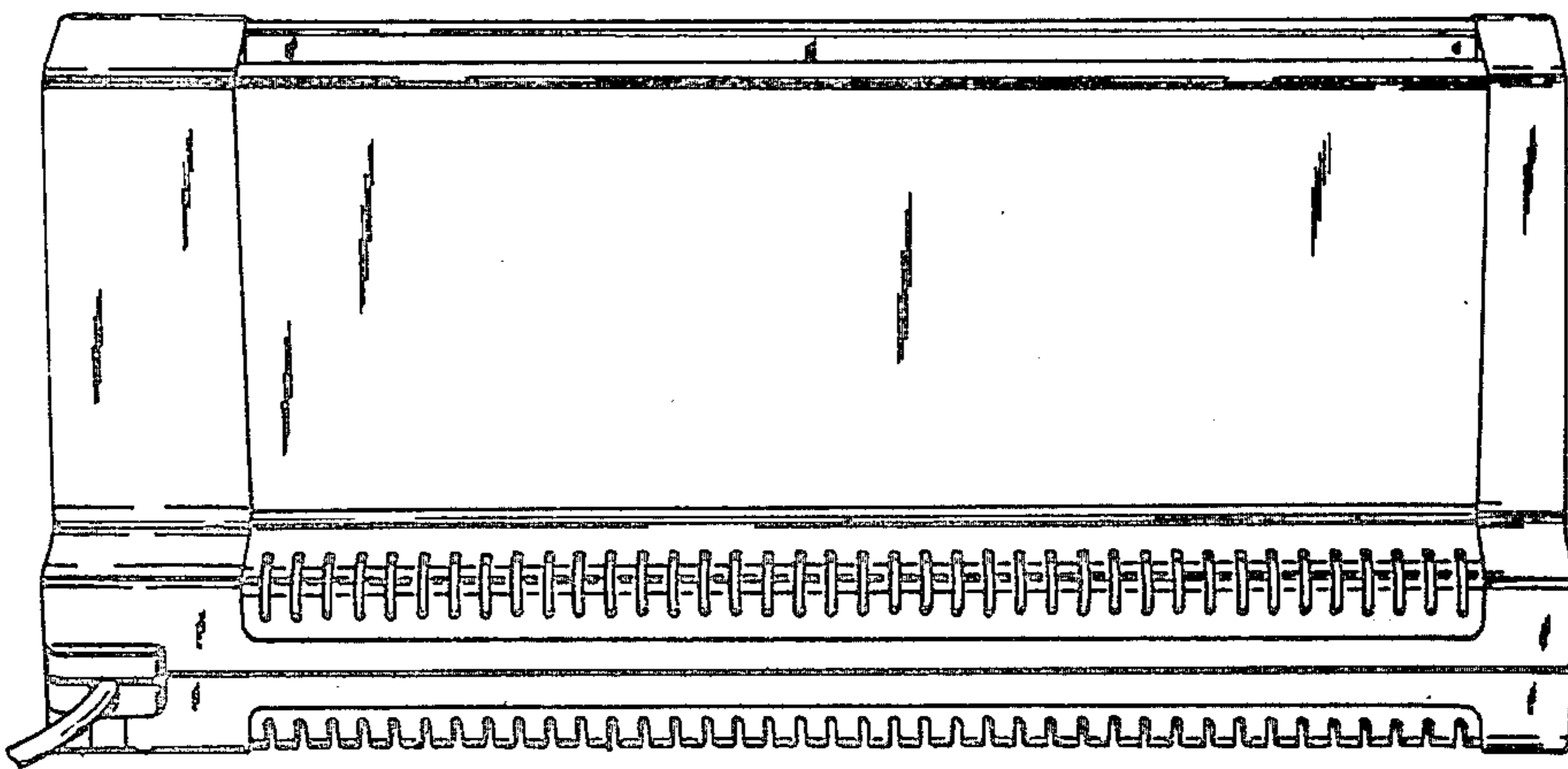


Fig. 3

