

[54] **CAMERA**

4,420,240 12/1983 Katsuma 354/288

[76] **Inventor: Sea C. Park, 3836 Birchwood,
Skokie, Ill. 60076**

OTHER PUBLICATIONS

*Hasselblad 500-C Flyer—2/25/60—pp. 1 and 4-5—Cam-
era, Access. & Combined.*

[**] **Term: 14 Years**

*Primary Examiner—Nelson C. Holtje
Attorney, Agent, or Firm—Birch, Stewart, Kolasch &
Birch*

[21] **Appl. No.: 679,397**

[22] **Filed: Dec. 7, 1984**

[57] **CLAIM**

The ornamental design for a camera, as shown and
described.

[30] **Foreign Application Priority Data**

Jun. 23, 1984 [KR] Rep. of Korea 7428/1984

[52] **U.S. Cl. D16/9; D16/1**

[58] **Field of Search D16/1-10,
D16/9; 354/202, 288, 173.1, 173.11, 222,
81-82, 293, 195.1**

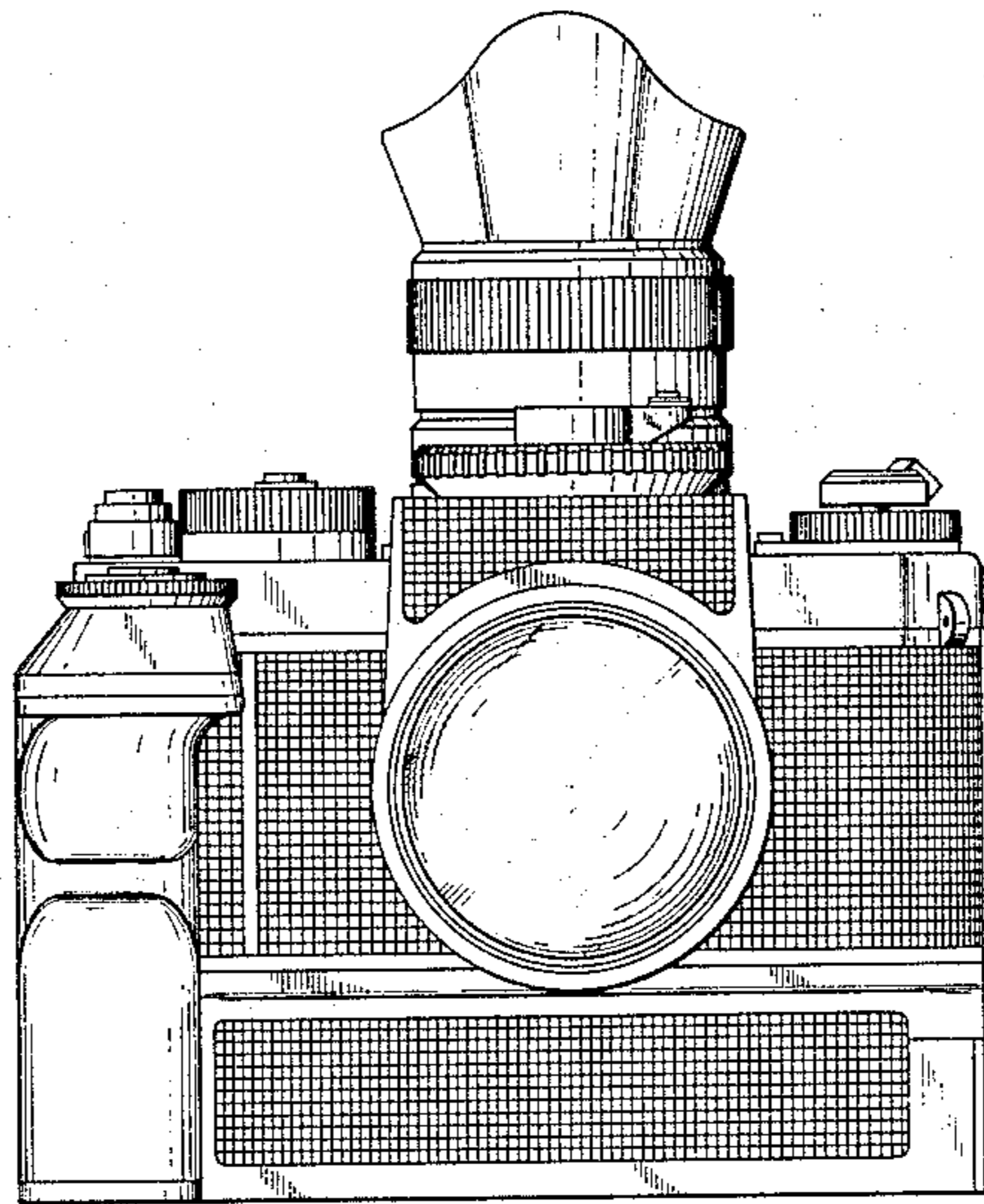
DESCRIPTION

FIG. 1 is a front elevational view of a camera showing
my new design;
FIG. 2 is a rear elevational view thereof;
FIG. 3 is a top plan view thereof;
FIG. 4 is a right side elevational view thereof;
FIG. 5 is a left side elevational view thereof;
FIG. 6 is a right side elevational view of a second em-
bodiment of my new design of FIGS. 1-5 and 7,
wherein the sole change is the different view finder; and
FIG. 7 is a bottom plan view of both embodiments.

[56] **References Cited**

U.S. PATENT DOCUMENTS

3,405,621 10/1968 Finelli 354/202
3,451,322 6/1969 Noda 354/288
3,768,387 10/1973 Hasegawa 354/202 X
3,854,142 12/1974 Whitley 354/202 X
3,921,189 11/1975 Gallstel 354/222 X



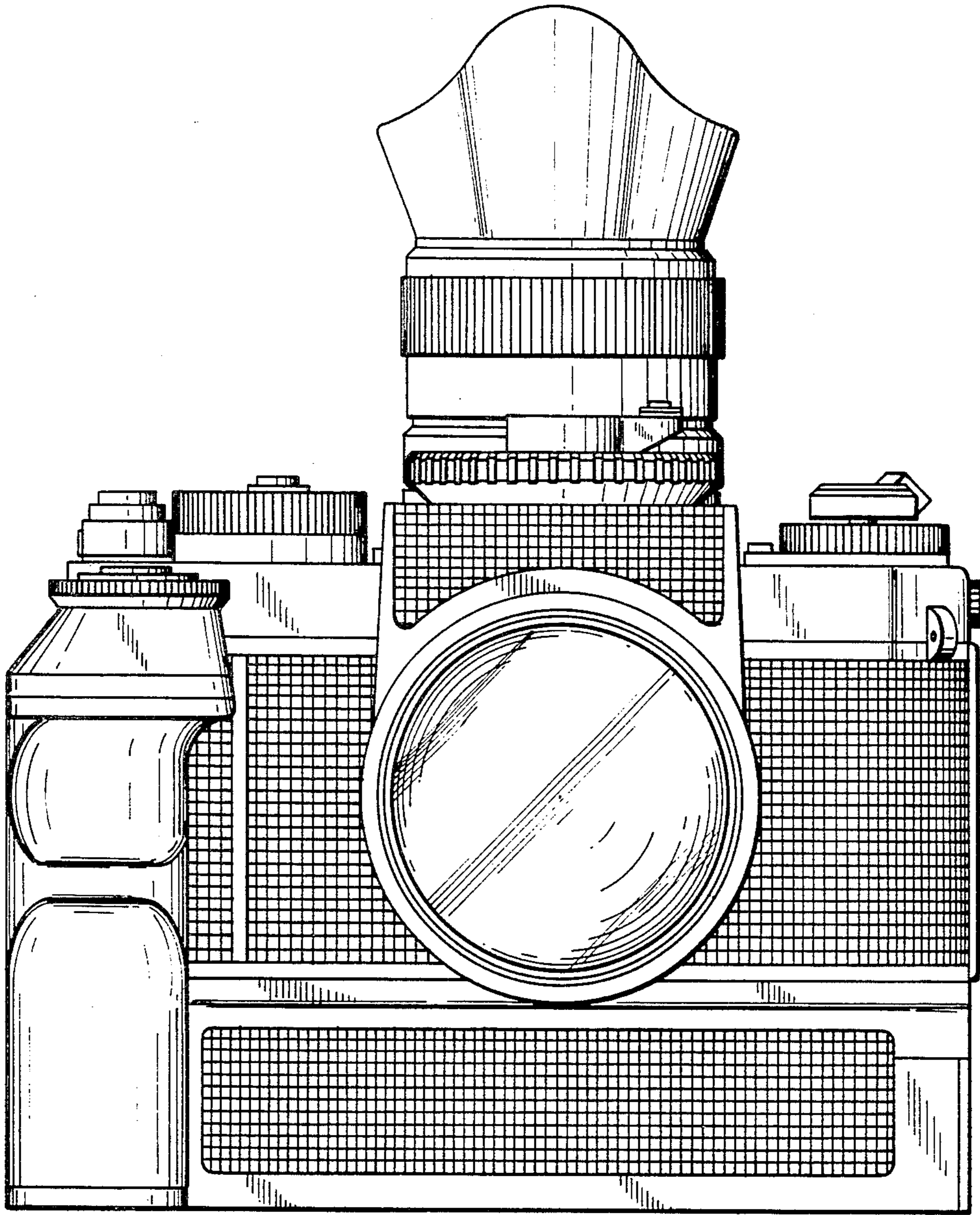


FIG. 1

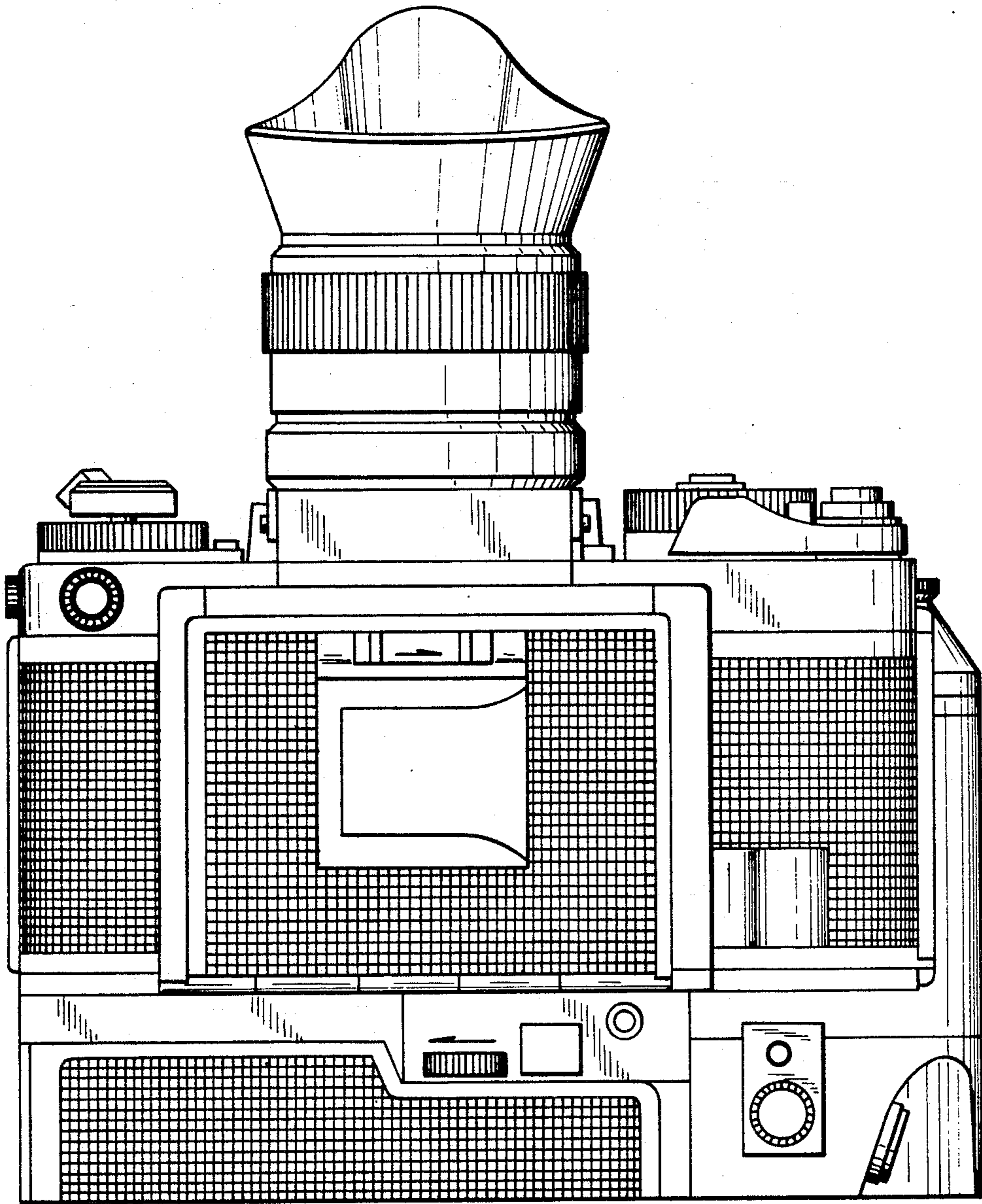


FIG. 2

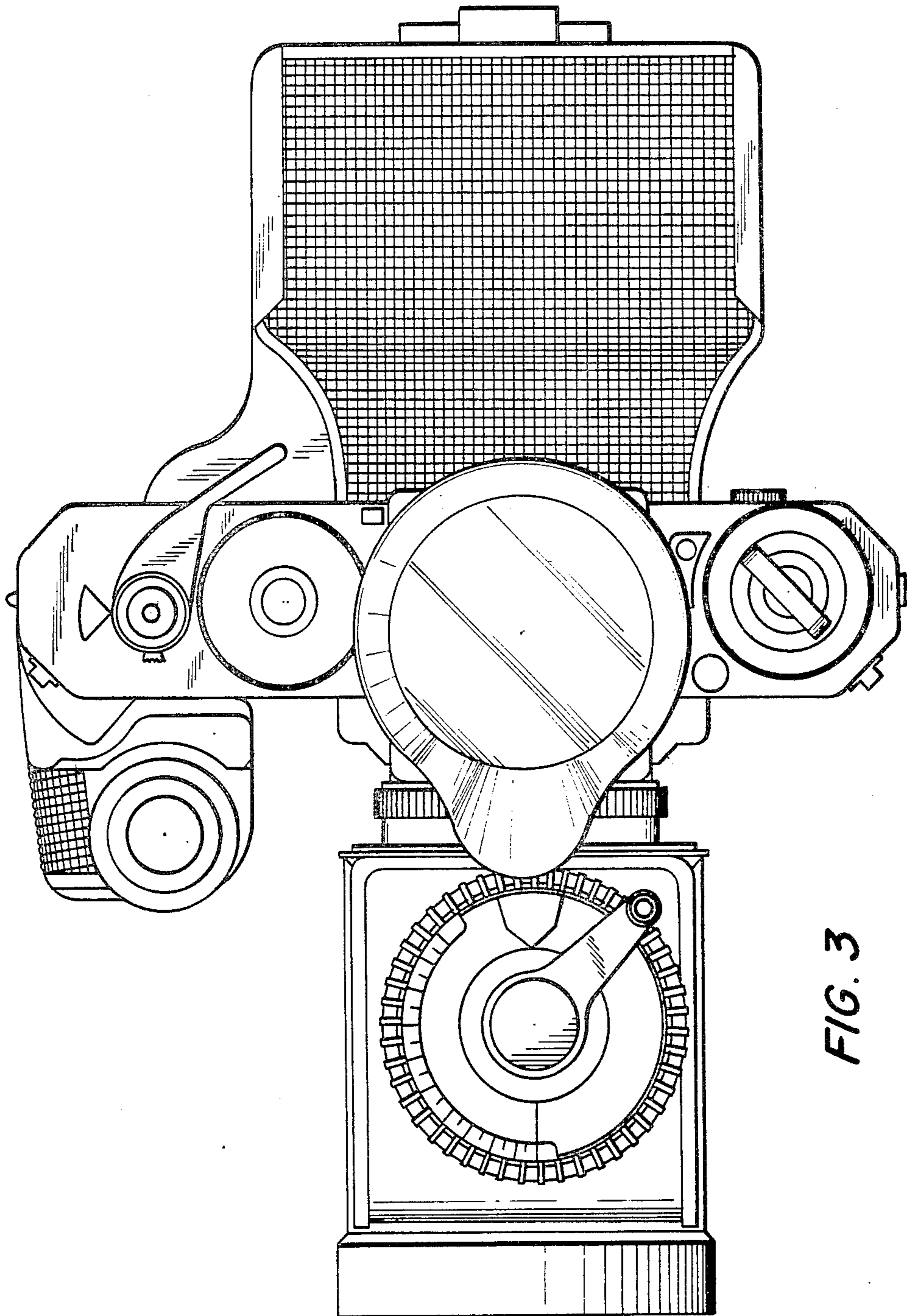


FIG. 3

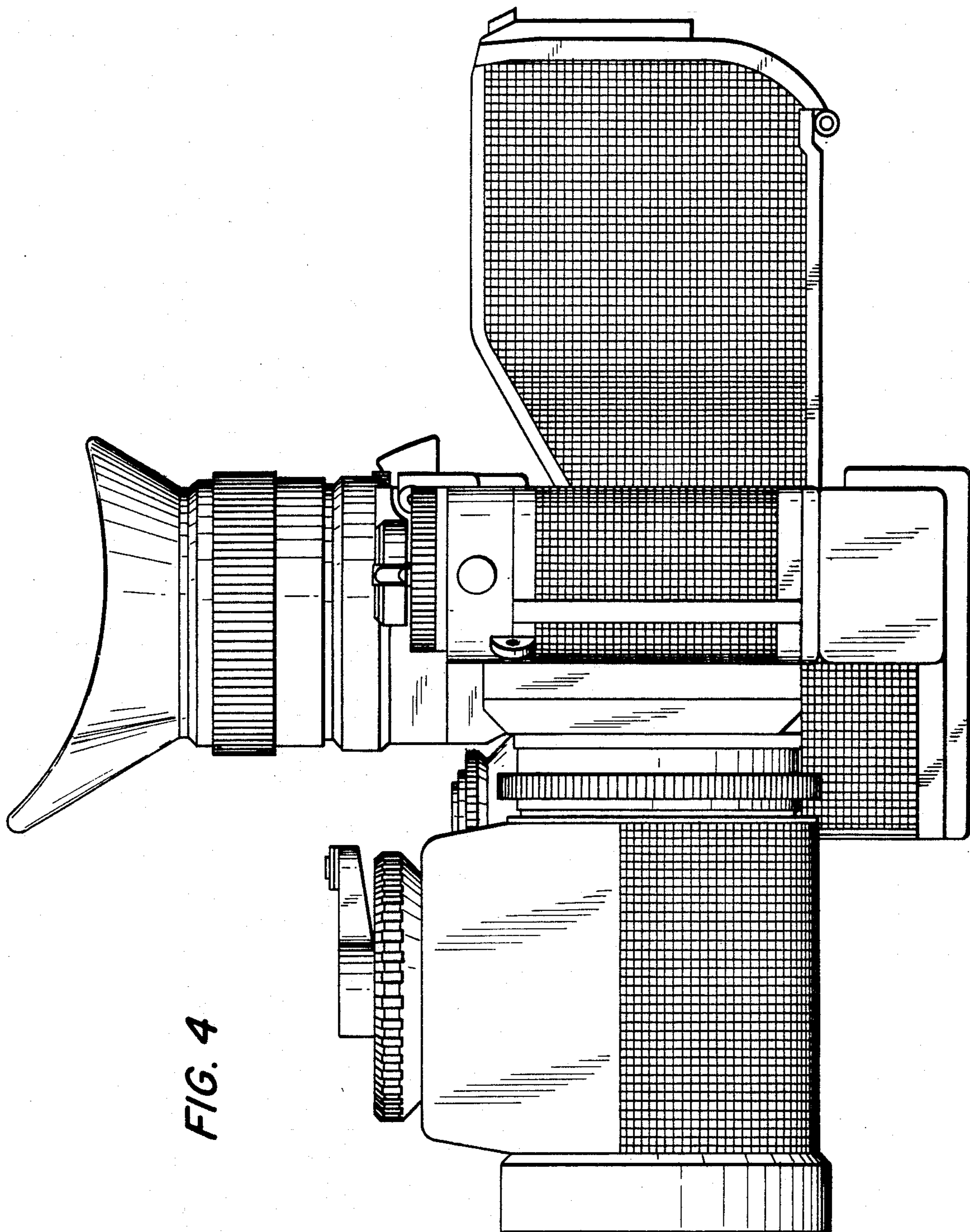


FIG. 4

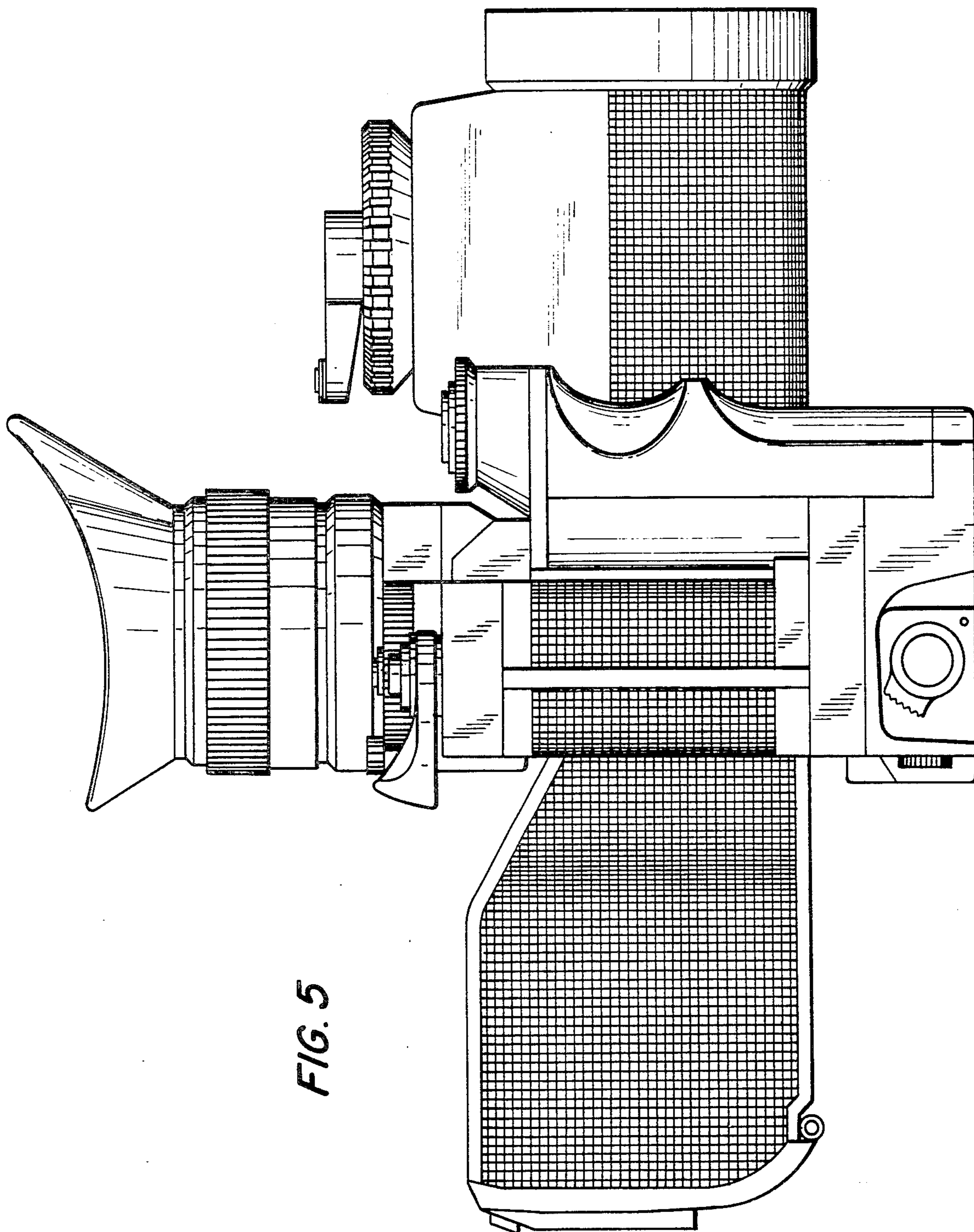


FIG. 5

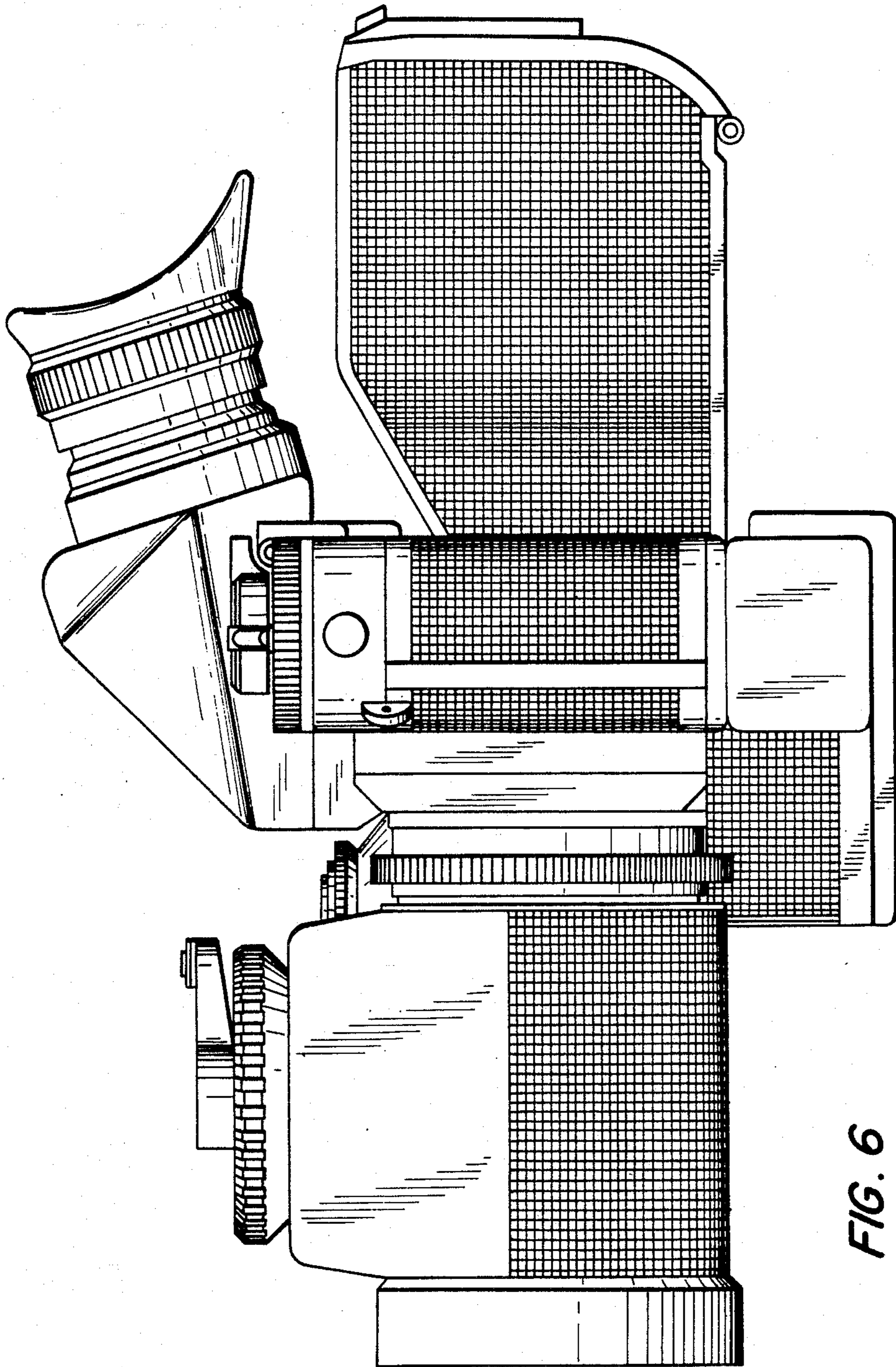


FIG. 6

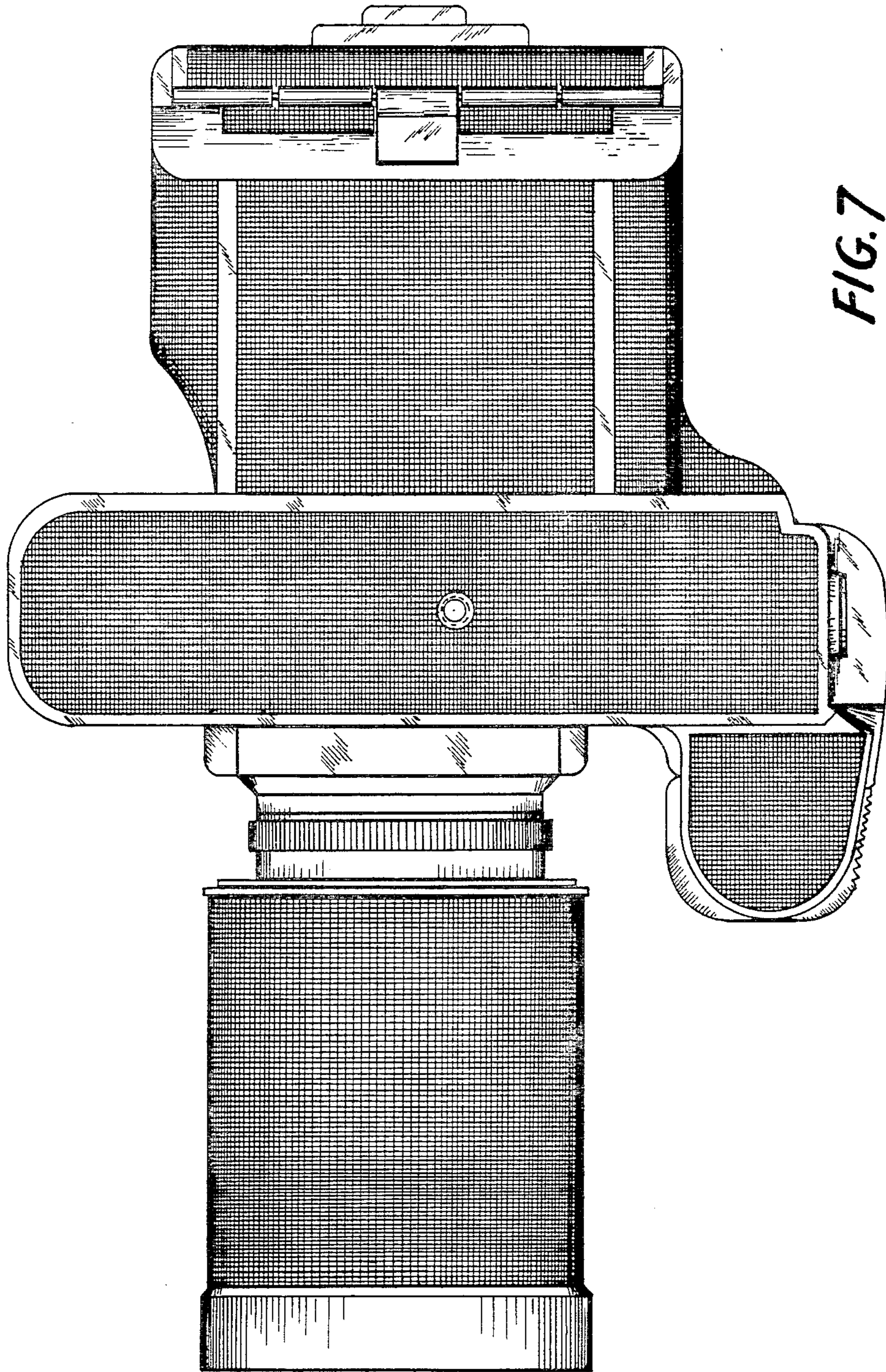


FIG. 7