

[54] SEWING MACHINE

[75] Inventors: Nobufusa Kuroki; Yoshikazu Ebata,
both of Tokyo, Japan

[73] Assignee: Janome Sewing Machine Co., Ltd.,
Tokyo, Japan

[**] Term: 14 Years

[21] Appl. No.: 571,521

[22] Filed: Jan. 17, 1984

[52] U.S. Cl. D15/70; D15/69

[58] Field of Search D15/70, 69; 112/63,
112/258-261

3,683,833 8/1972 Baruffa et al. 112/258

3,995,573 12/1976 Nishigami et al. 112/258

4,080,913 3/1978 Arendash et al. 112/258

4,224,887 9/1980 Meier 112/260

Primary Examiner—Bernard Ansher
Assistant Examiner—Linda Titolo
Attorney, Agent, or Firm—Michael J. Striker

[57] CLAIM

The ornamental design for a sewing machine, substantially as shown and described.

DESCRIPTION

FIG. 1 is a front elevational view of a sewing machine showing our new design;
FIG. 2 is a rear elevational view thereof;
FIG. 3 is a top plan view thereof;
FIG. 4 is a bottom plan view thereof;
FIG. 5 is a left side elevational view thereof;
FIG. 6 is a right side elevational view thereof; and
FIG. 7 is a top front and left side perspective view thereof.

[56] References Cited

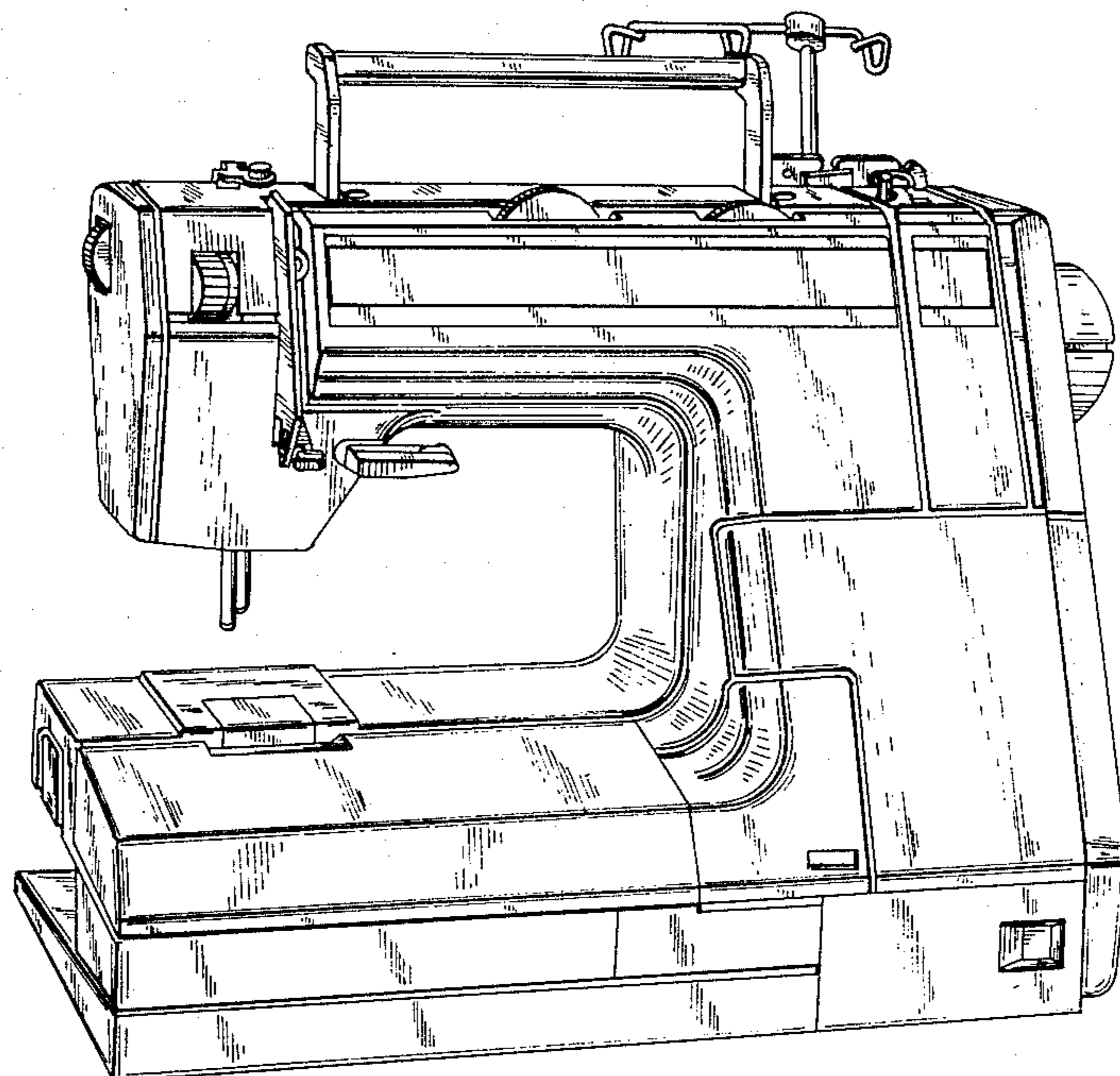
U.S. PATENT DOCUMENTS

D. 243,686 3/1977 Ito D15/69 X

D. 264,088 4/1982 Sullivan et al. D15/69

D. 277,863 3/1985 Laude et al. D15/69

3,552,340 1/1971 Fresard 112/258



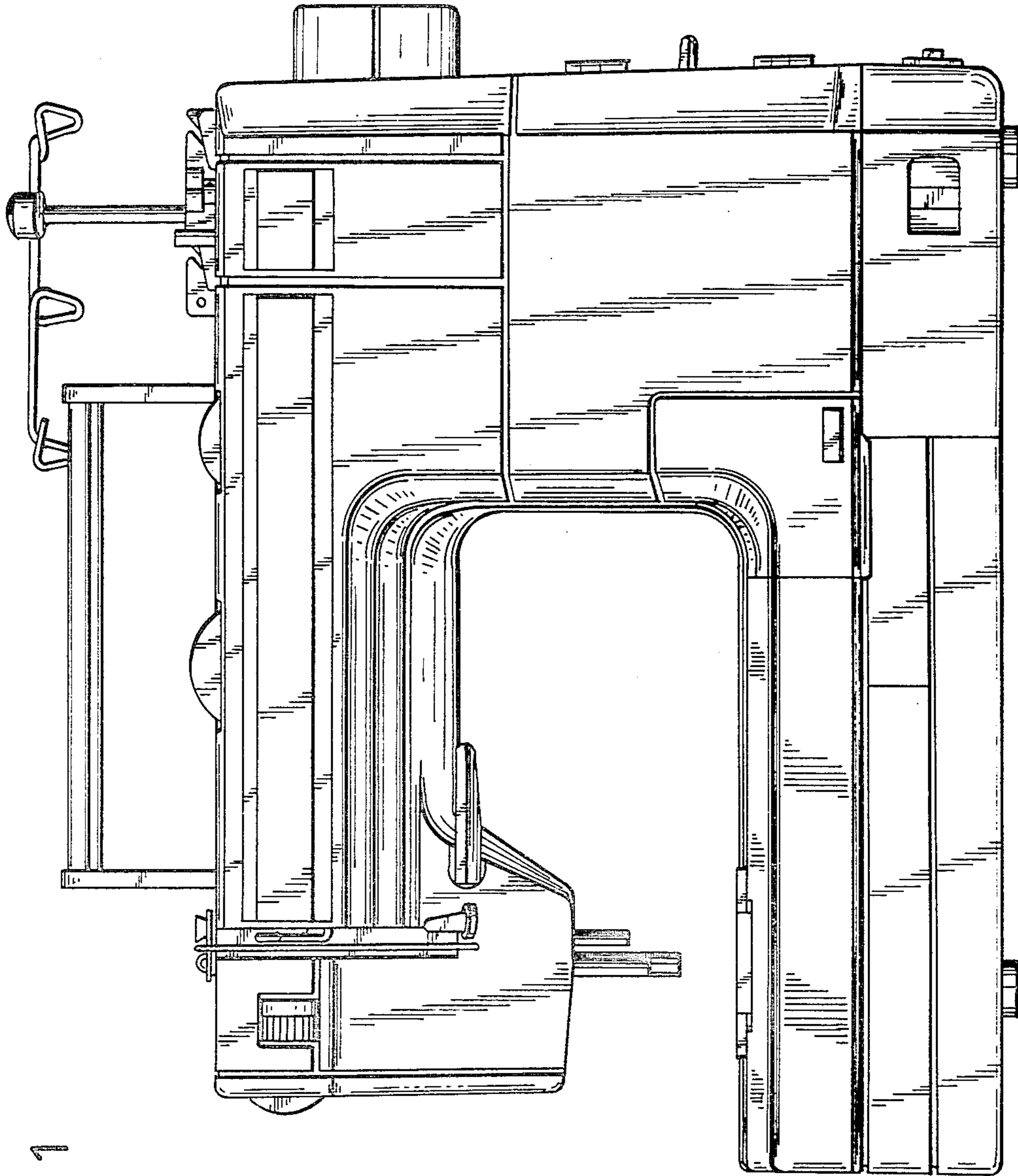
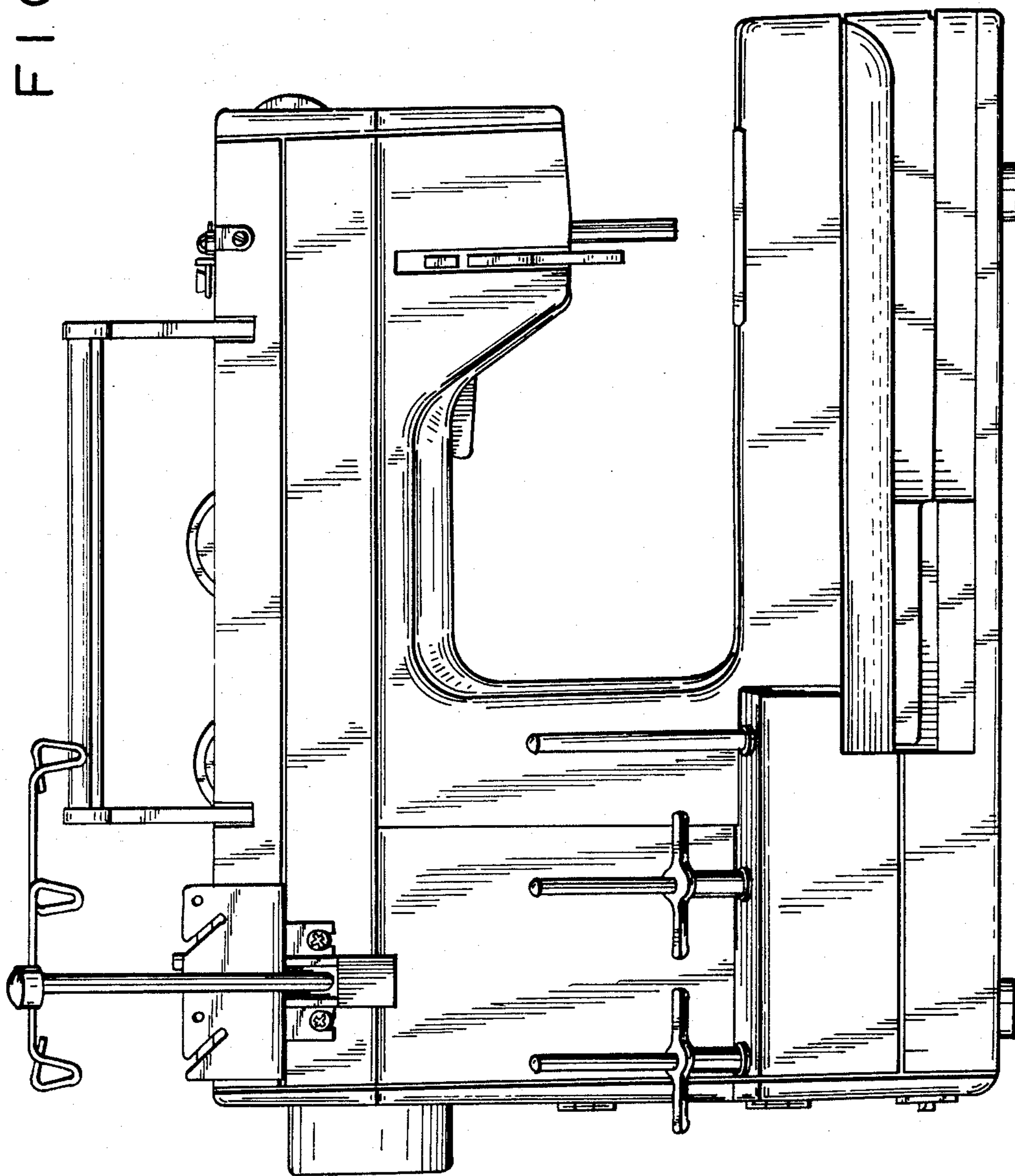


FIG. 1

FIG. 2



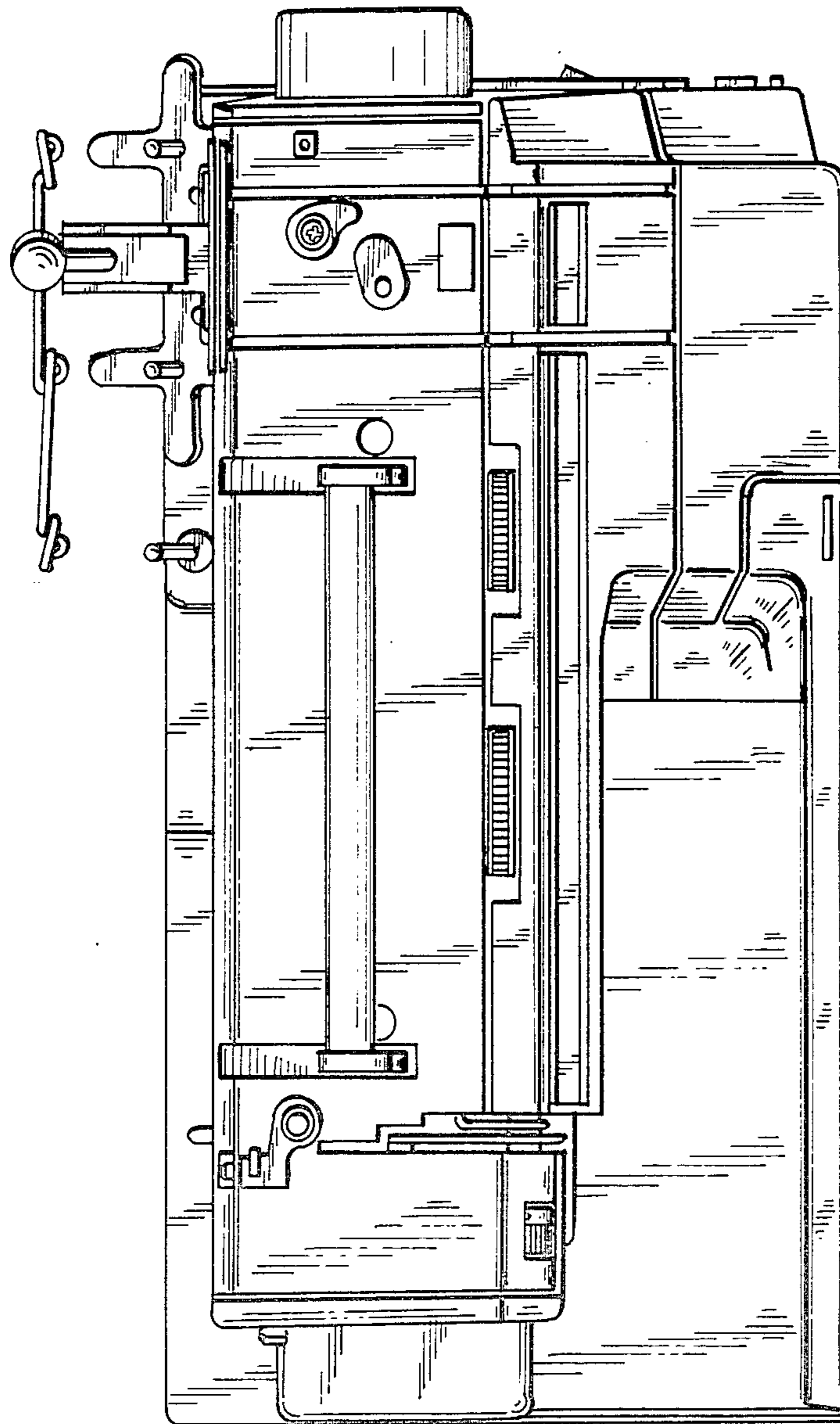


FIG. 3

FIG. 4

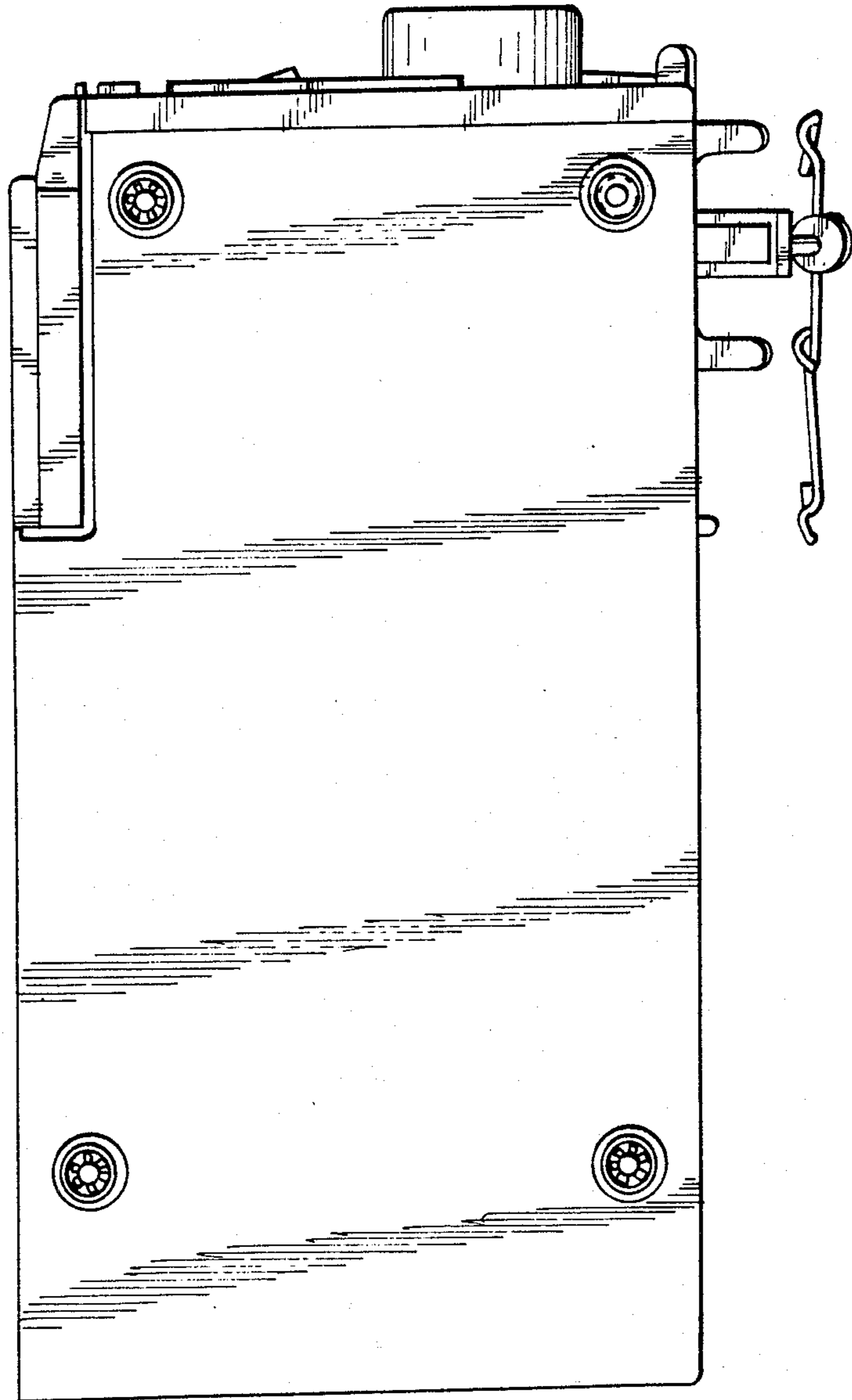


FIG. 5

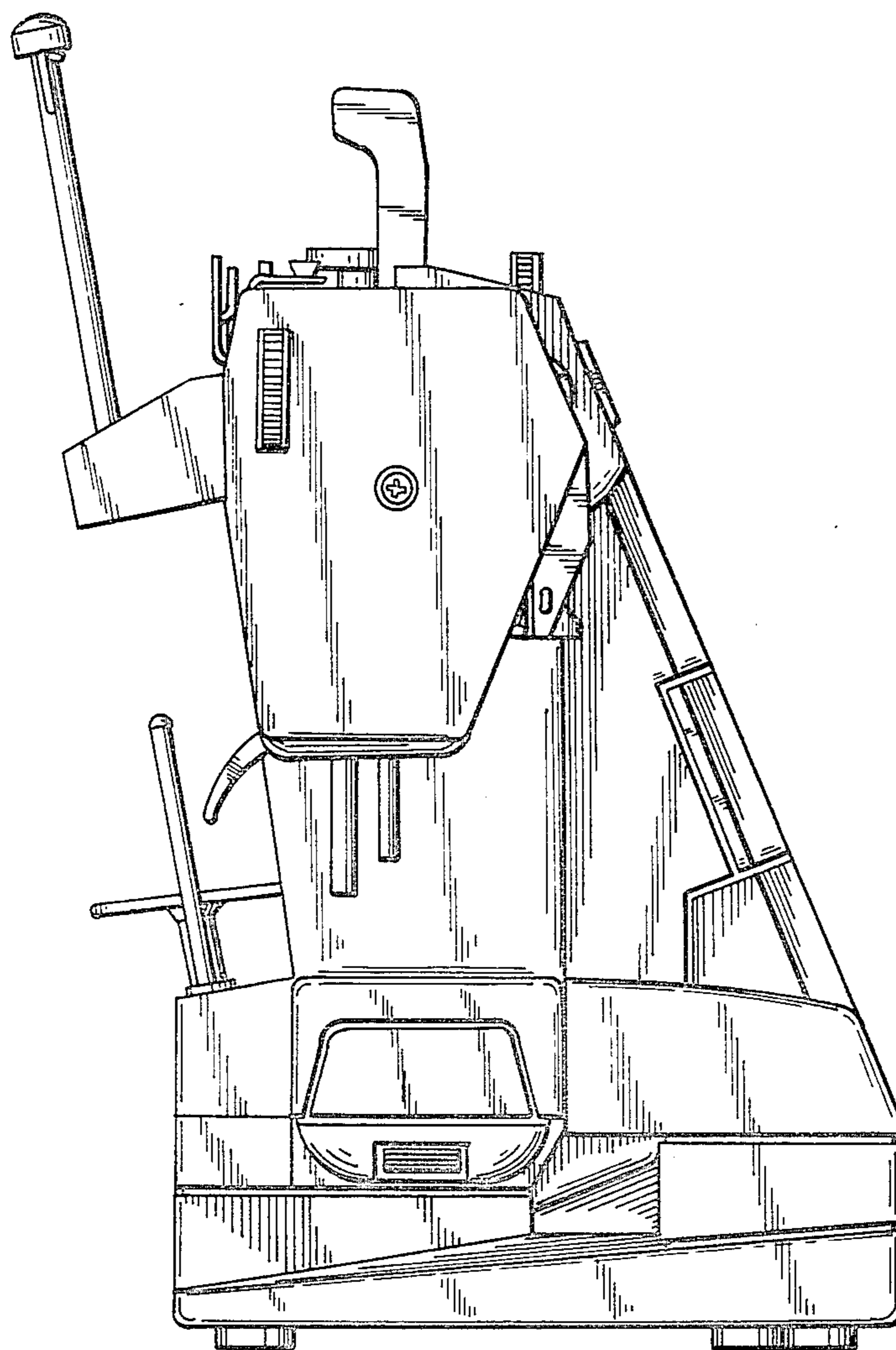
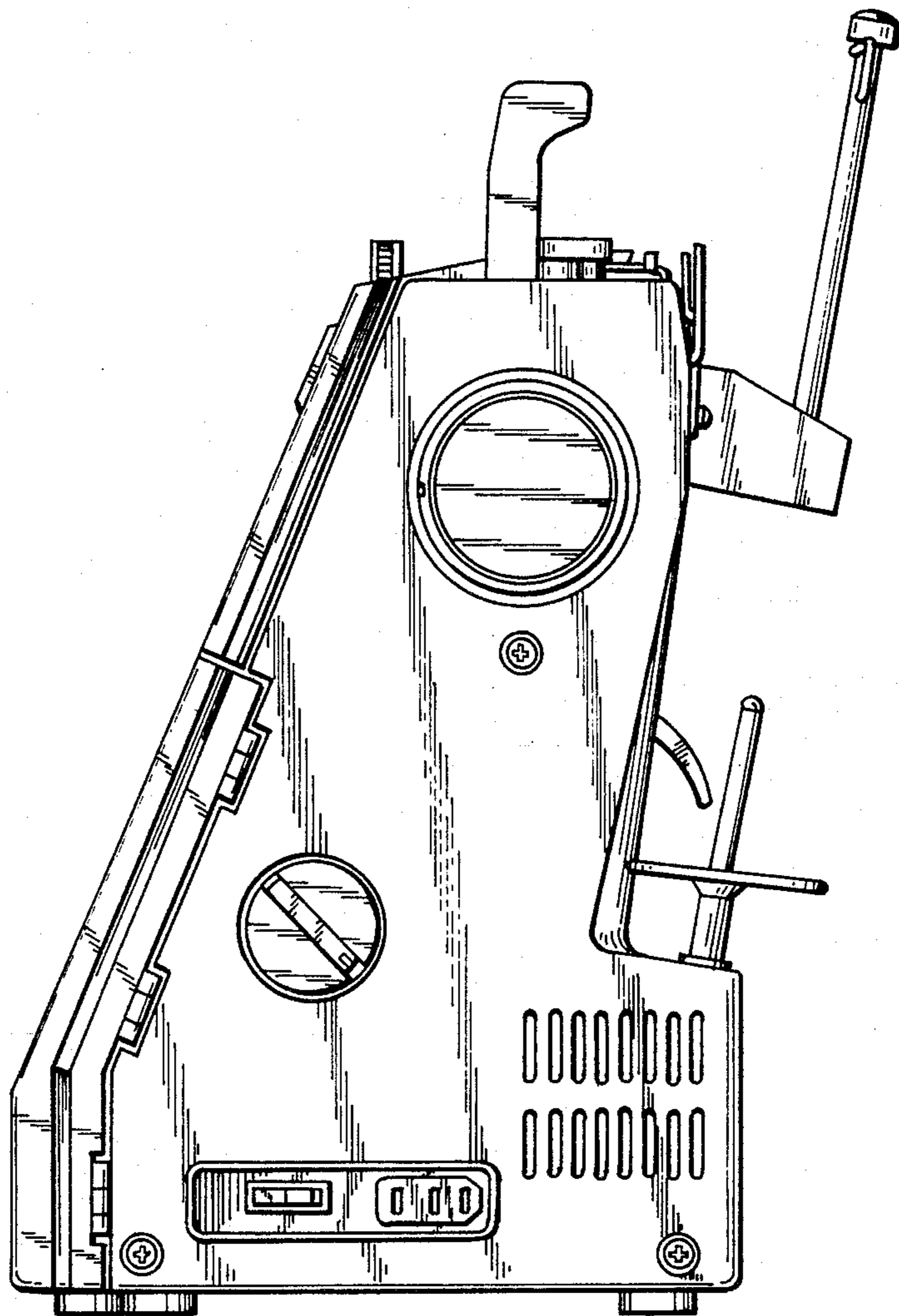


FIG. 6



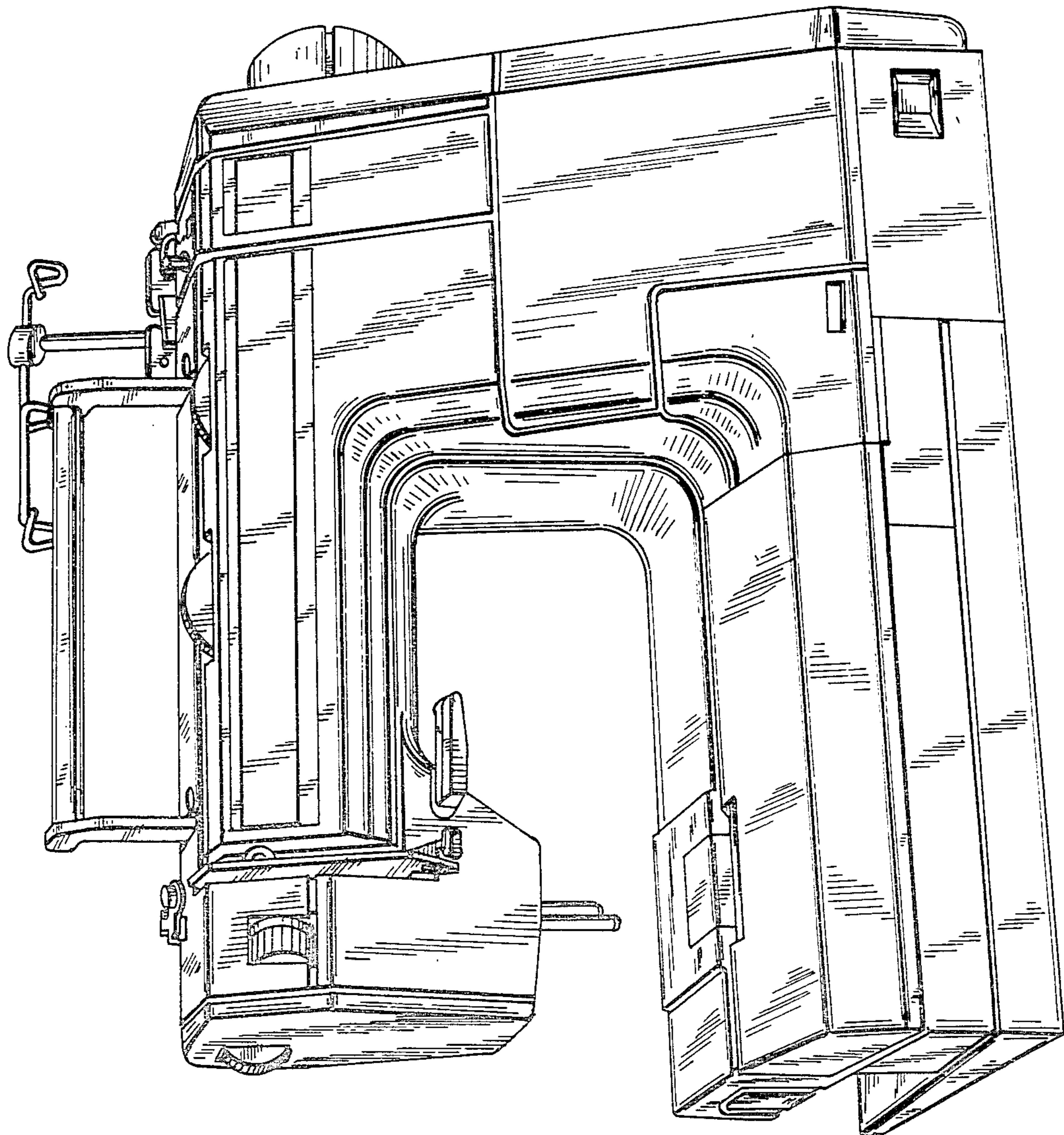


FIG. 7