

[54] **OPERATOR'S CAB FOR A CRANE**

[75] **Inventor: Jerry N. Moscovitch, Toronto, Canada**

[73] **Assignee: Engineered Design Inc., Toronto, Canada**

[**] **Term: 14 Years**

[21] **Appl. No.: 683,449**

[22] **Filed: Dec. 19, 1984**

[30] **Foreign Application Priority Data**

Jul. 5, 1984 [CA] Canada 05-07-84-8

[52] **U.S. Cl. D15/30**

[58] **Field of Search D15/10, 22, 23, 26, D15/28, 30, 33; 180/69 R, 69 C, 69.2, 69.21, 89 R, 89.12; 296/102, 190, 192; 239/172 C**

[56] **References Cited**

U.S. PATENT DOCUMENTS

D. 248,475	7/1978	Parks et al.	D15/30
D. 267,648	1/1983	Bacon et al.	D15/30
D. 270,350	8/1983	Clancy et al.	D15/23
D. 274,063	5/1984	Skoff et al.	D15/30
D. 275,107	8/1984	Crabiel et al.	D15/25
4,050,735	9/1977	Molnar	D15/30

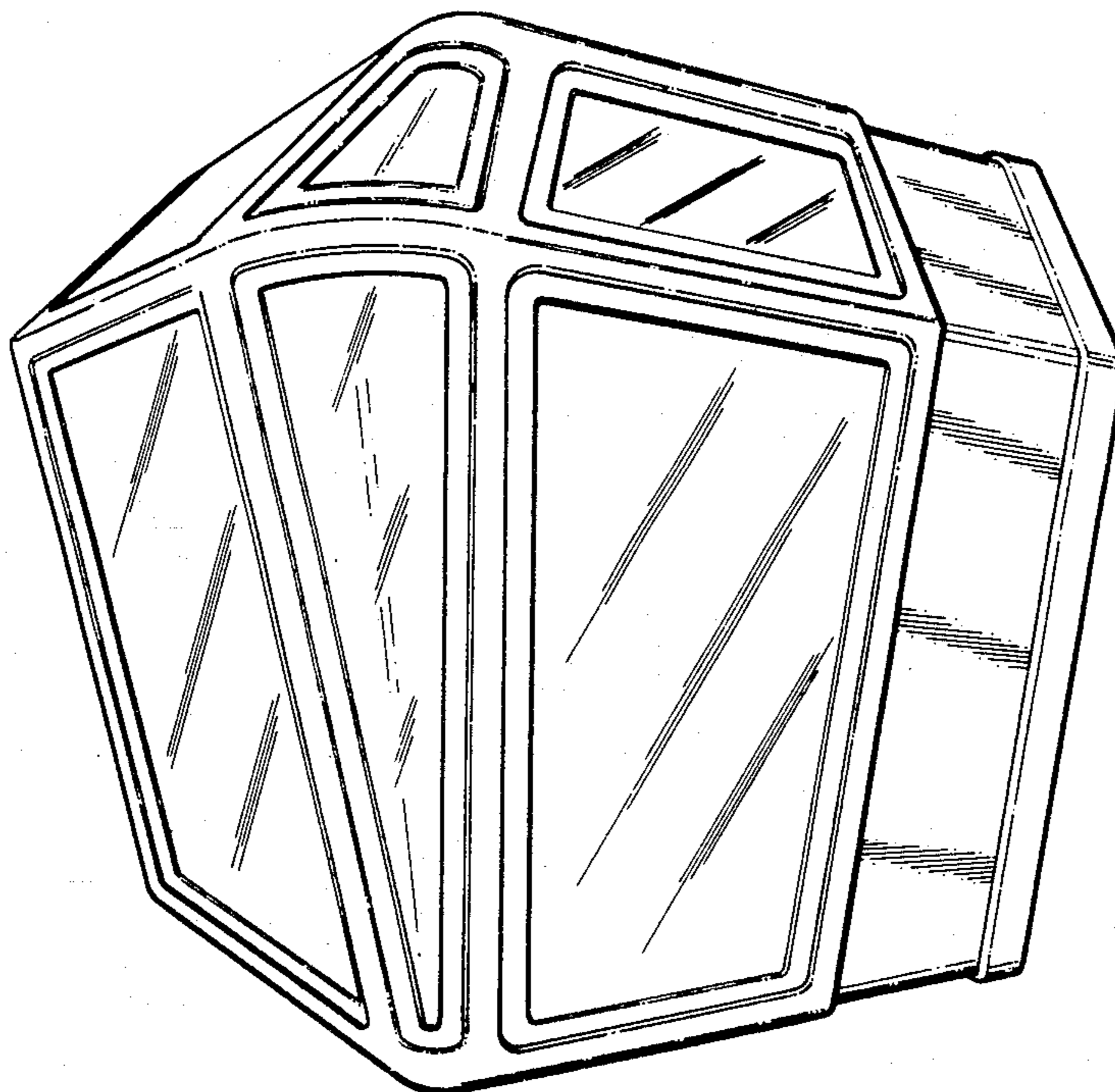
Primary Examiner—B. J. Bullock
Attorney, Agent, or Firm—Robert F. Delbridge; Arne I. Fors

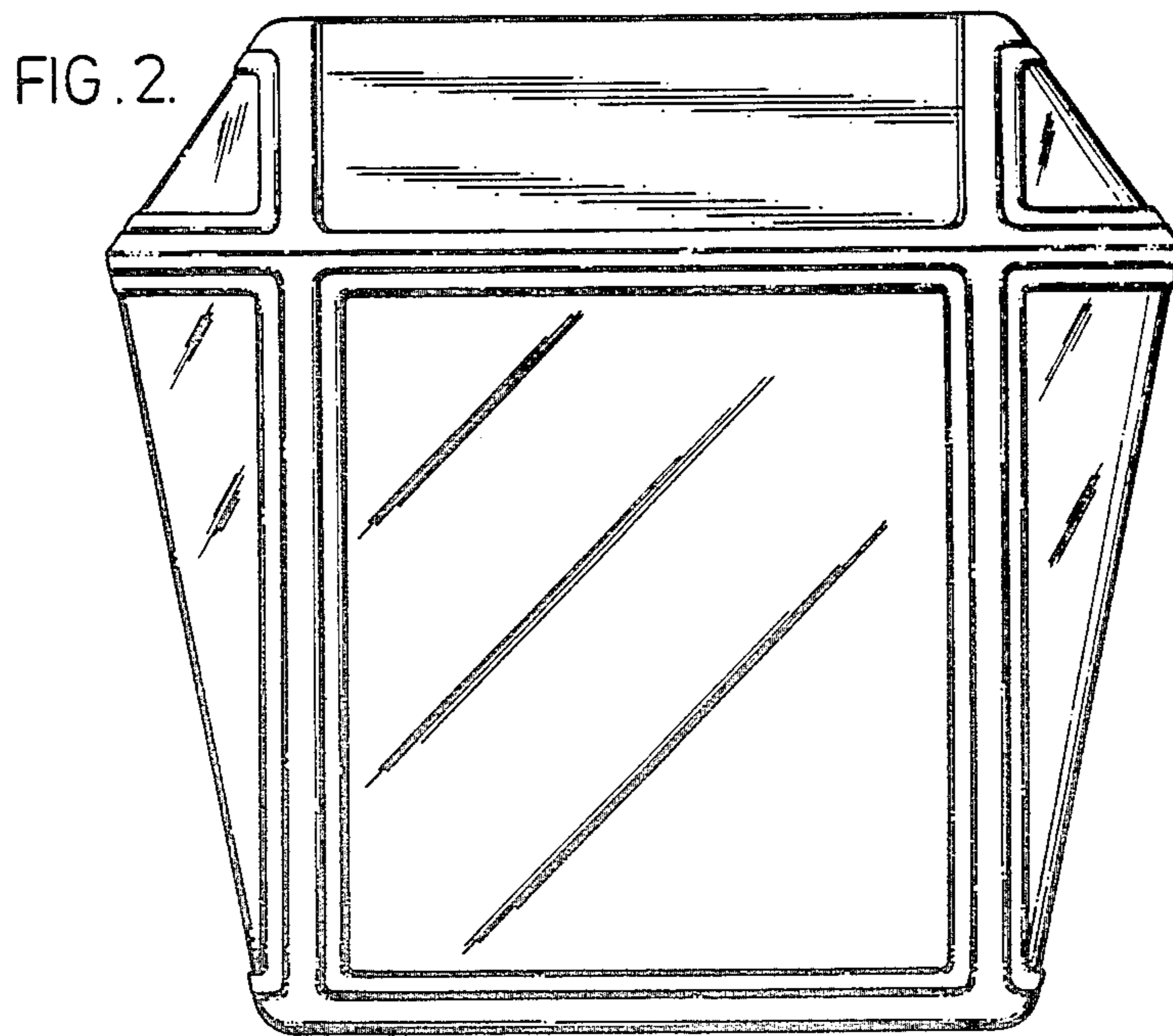
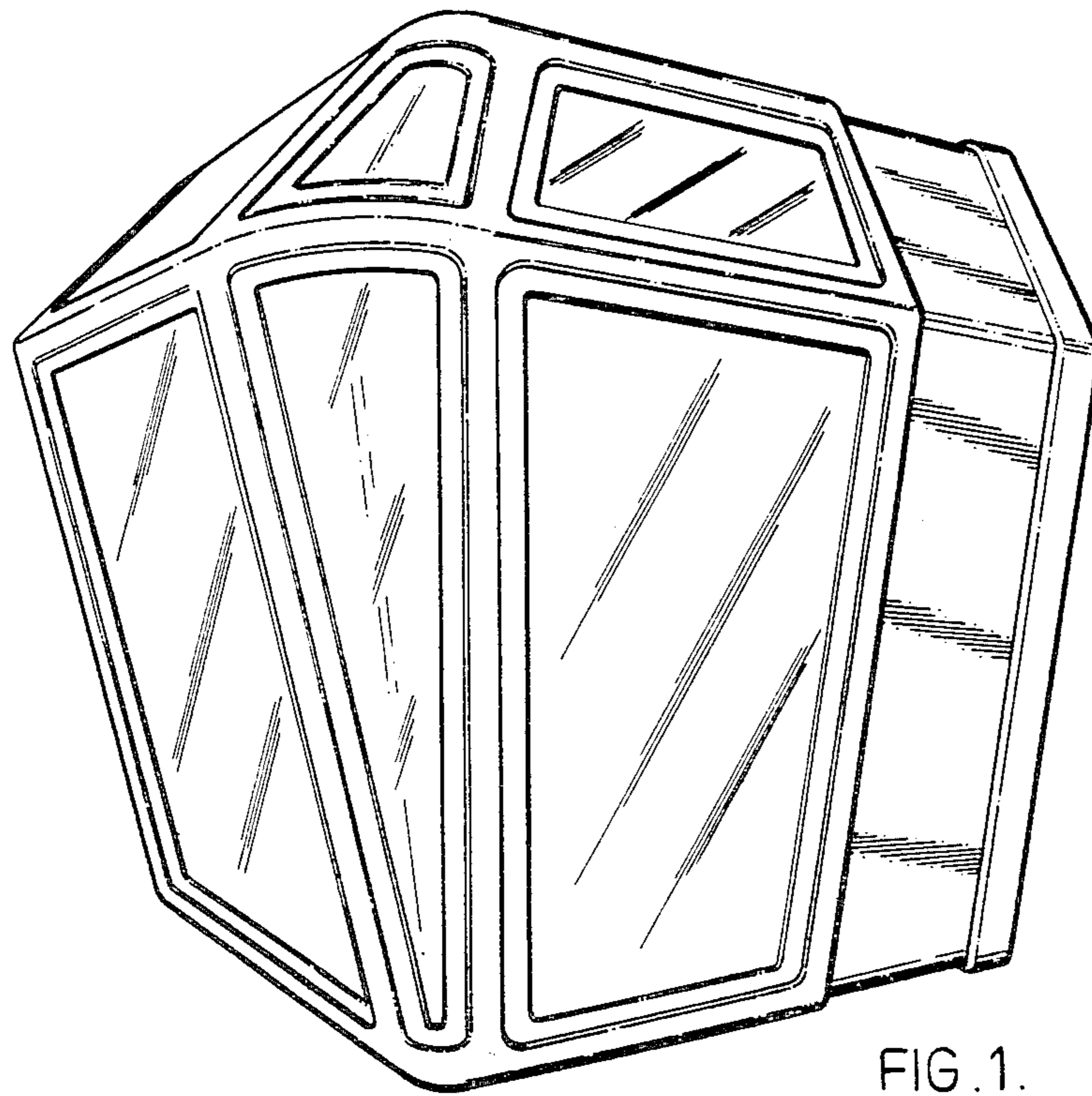
[57] **CLAIM**

The ornamental design for a operator's cab for a crane, as shown and described.

DESCRIPTION

FIG. 1 is a perspective view of an operator's cab for a crane showing my new design;
FIG. 2 is a front elevational view thereof;
FIG. 3 is a side elevational view taken from the right of FIG. 1;
FIG. 4 is a rear elevational view thereof; and
FIG. 5 is a top plan view thereof.





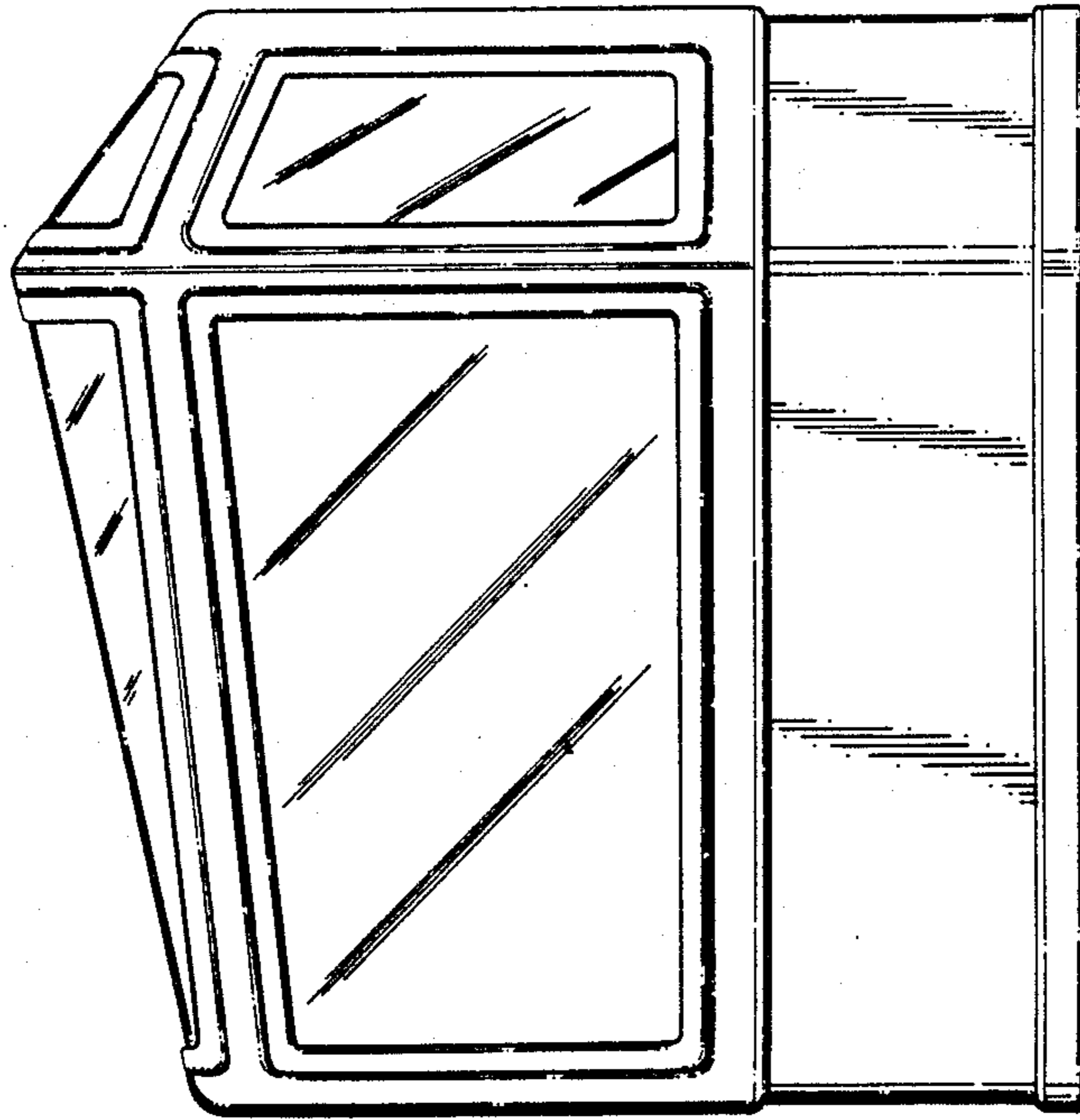
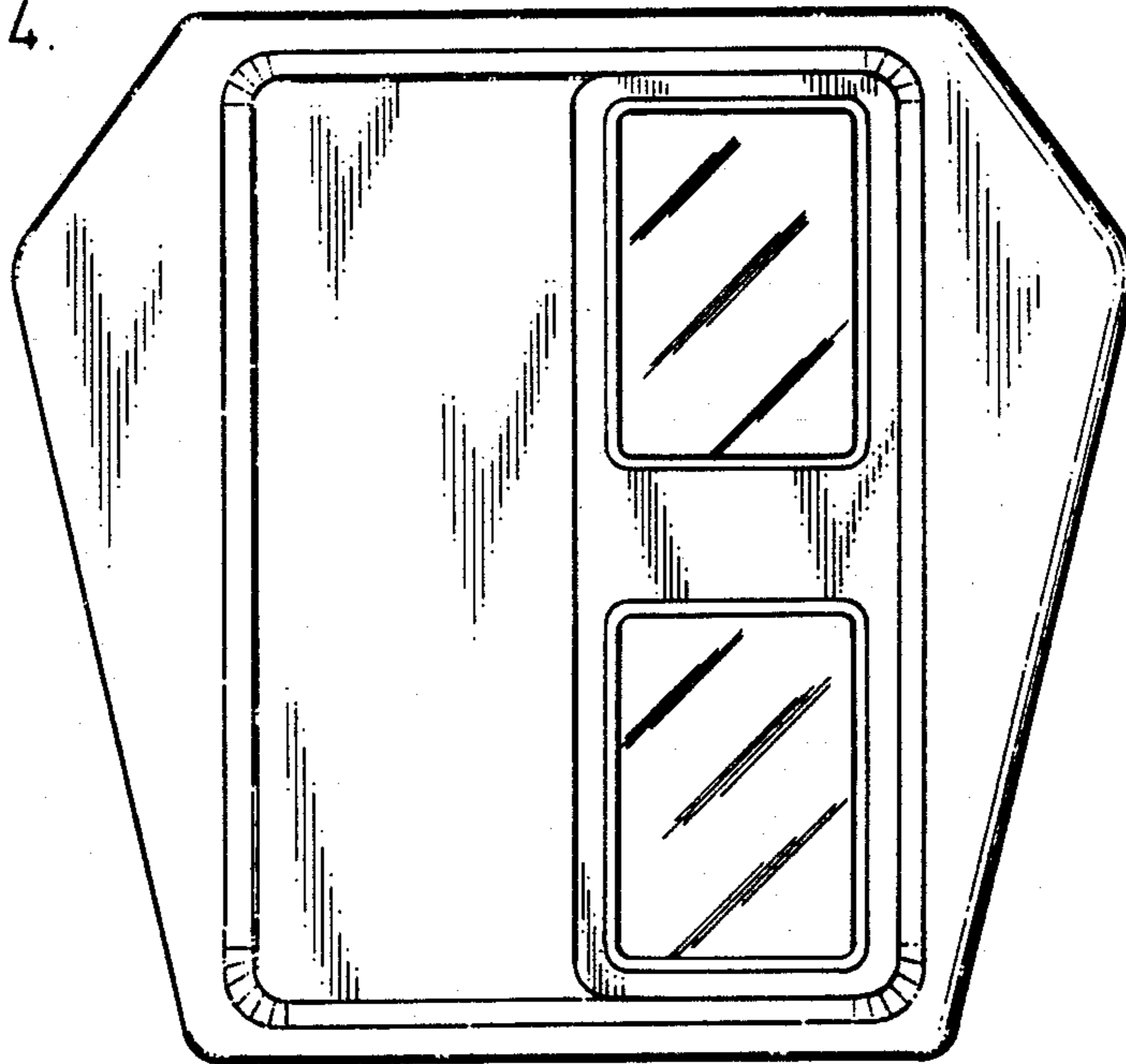


FIG. 3.

FIG. 4.



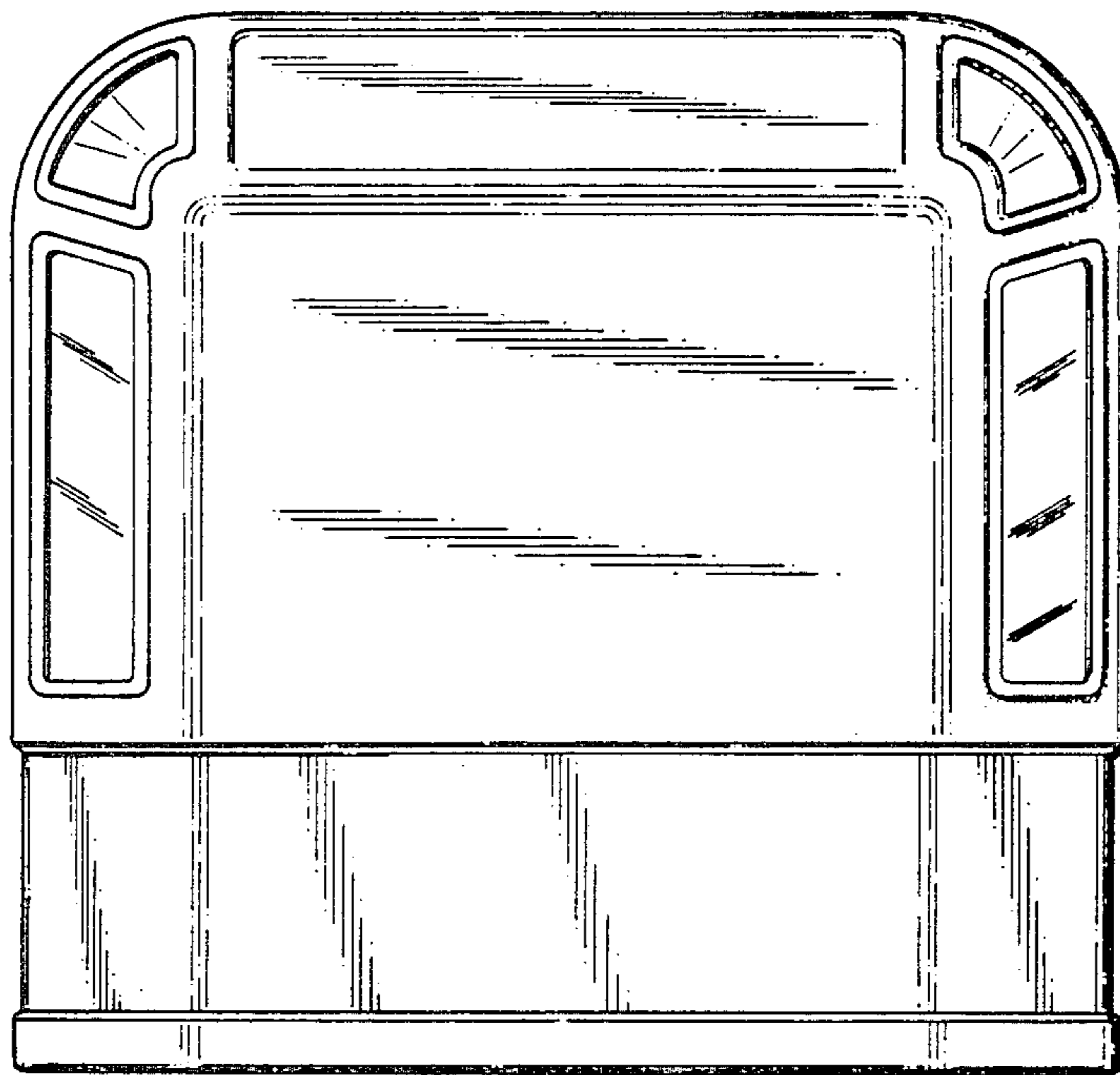


FIG. 5.