

[54] **OUTBOARD MOTOR MOUNTING BRACKET**

4,482,330 11/1984 Cook 440/61 X
4,516,940 5/1985 Roberts 440/56 X

[76] Inventor: **Robert M. Bergeron, 27 Ball Ave., North Salem, N.H. 03073**

Primary Examiner—B. J. Bullock
Assistant Examiner—Brian N. Vinson
Attorney, Agent, or Firm—Hayes, Davis & Soloway

[**] Term: **14 Years**

[21] Appl. No.: **625,900**

[57] **CLAIM**

[22] Filed: **Jun. 28, 1984**

The ornamental design for a outboard motor mounting bracket, as shown and described.

[52] U.S. Cl. **D15/4; D12/317**

[58] Field of Search **D15/4; D12/317; 248/351, 354.4, 503, 640-643; 440/52-53, 55-56, 61**

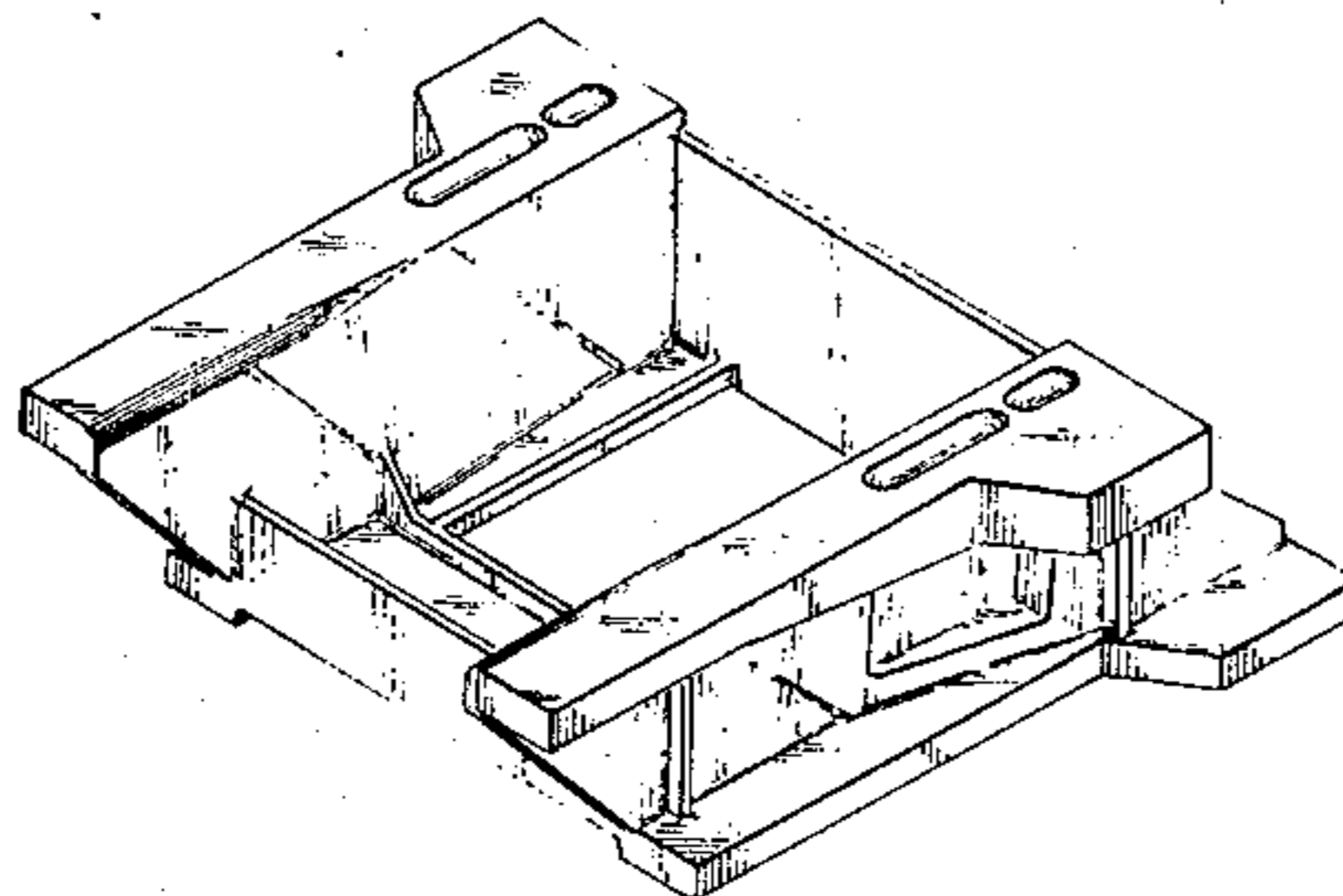
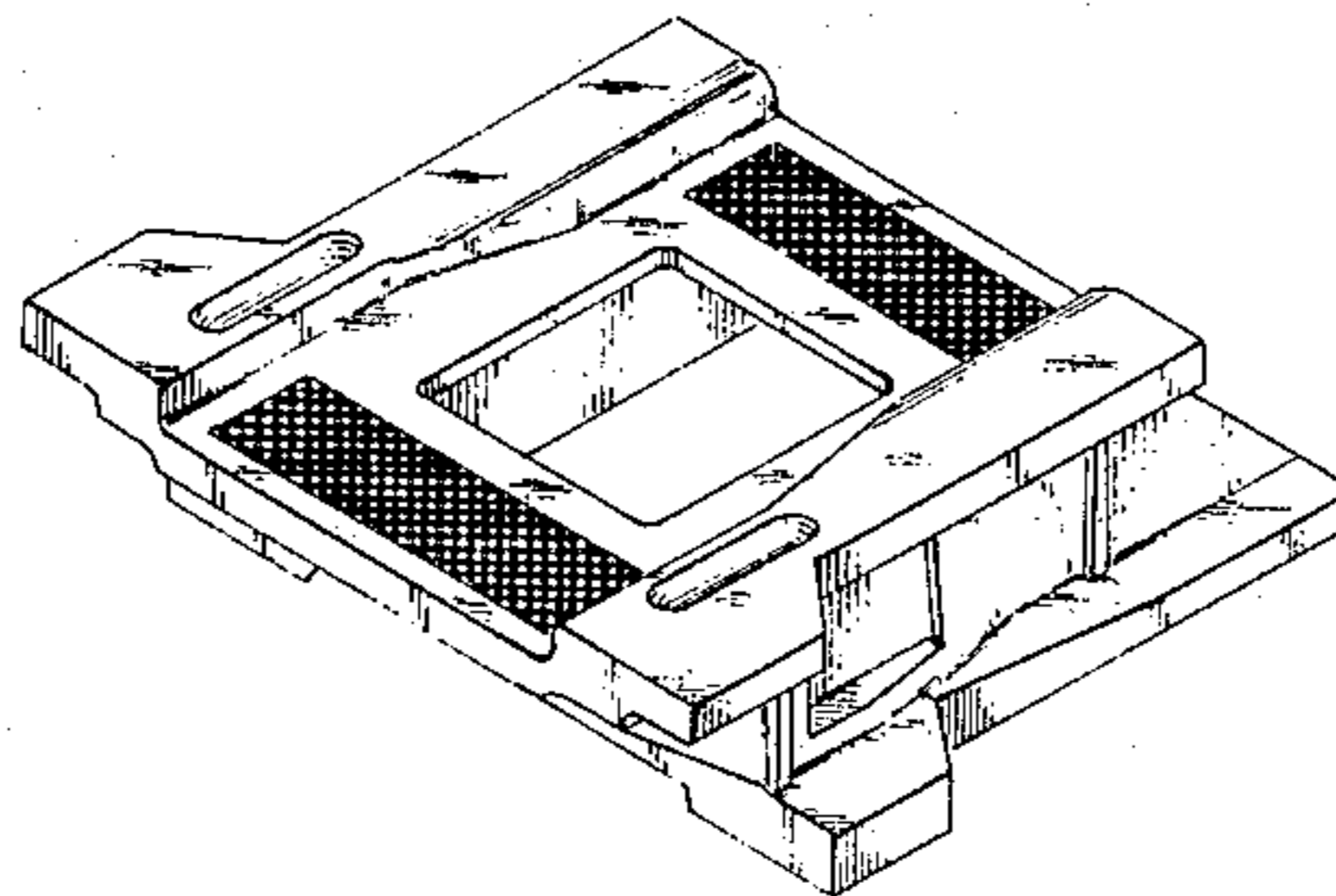
DESCRIPTION

[56] **References Cited**

U.S. PATENT DOCUMENTS

D. 272,359	1/1984	Hall et al.	D15/4
D. 277,843	3/1985	Gilbreath	D15/4 X
3,061,250	10/1962	Conover	248/642
4,232,627	11/1980	Glenn et al.	440/61

FIG. 1 is a rear elevational view of an outboard motor mounting bracket showing my new design;
FIG. 2 is a front elevational view thereof;
FIG. 3 is a top plan view thereof;
FIG. 4 is a bottom plan view thereof;
FIG. 5 is a left side elevational view thereof, the opposite side being a mirror image;
FIG. 6 is a top, rear perspective view thereof; and
FIG. 7 is a bottom, front perspective view thereof.



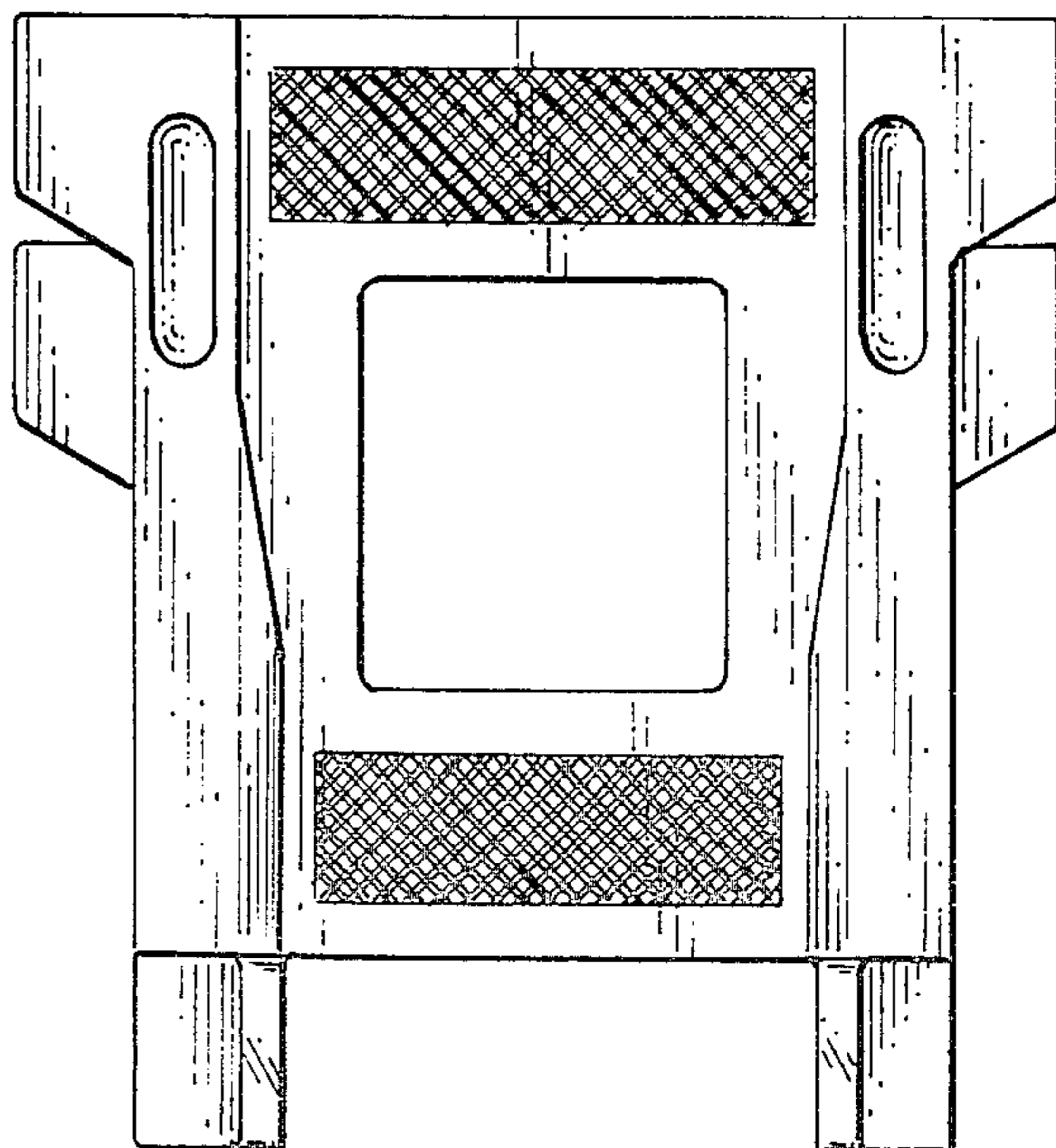


FIG. 1

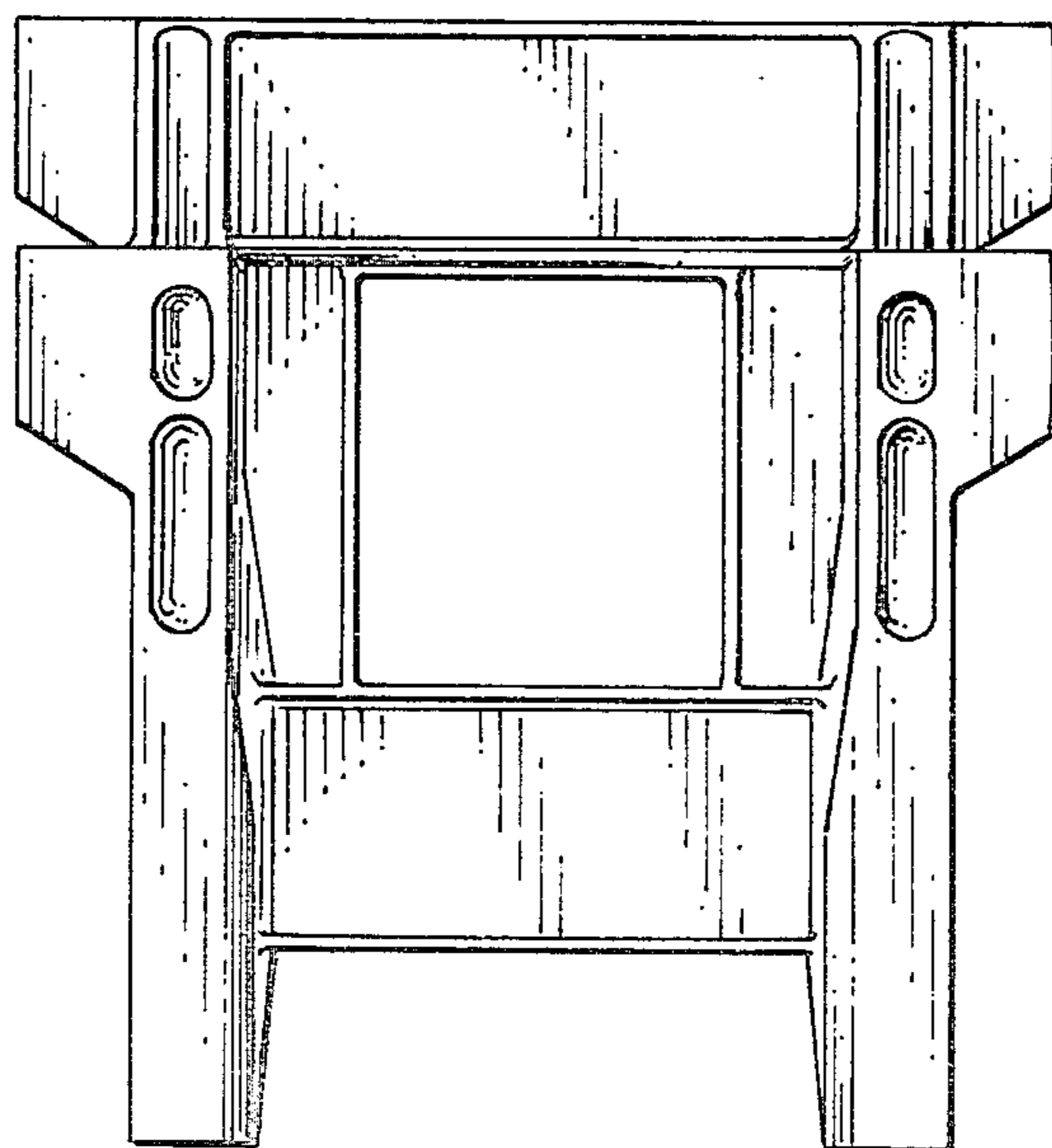


FIG. 2

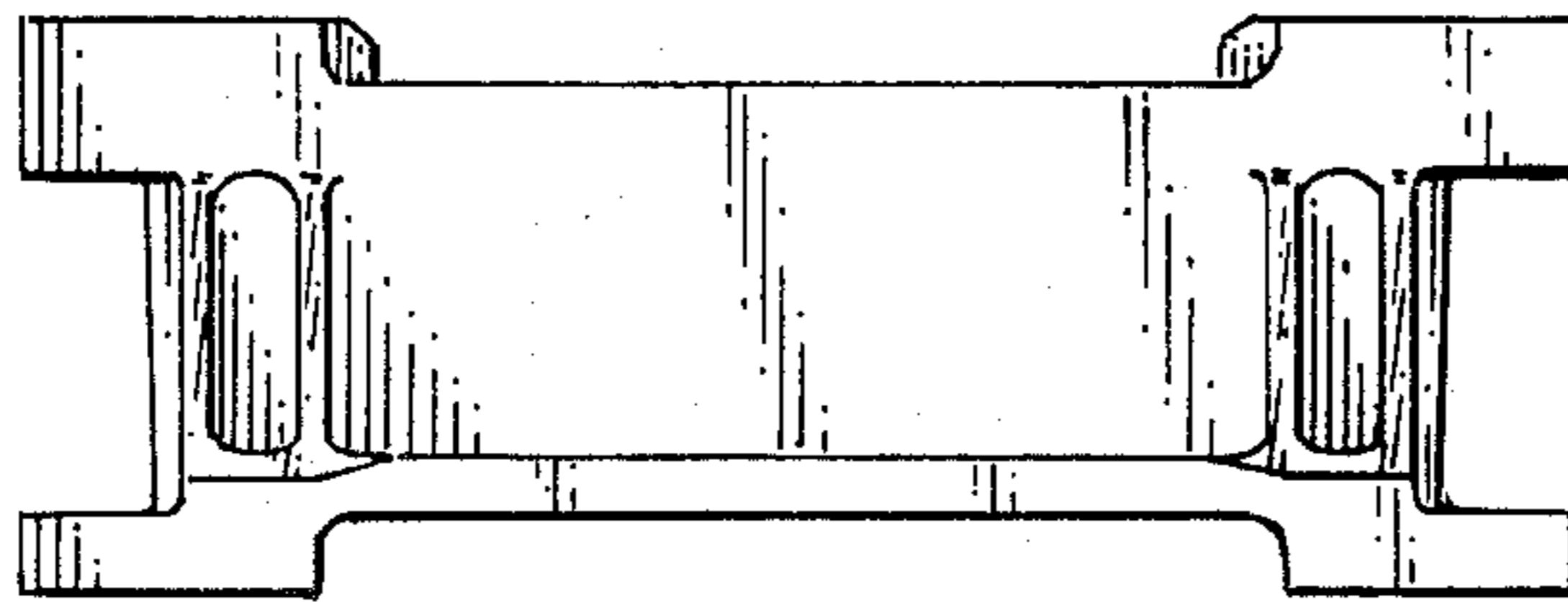


FIG. 3

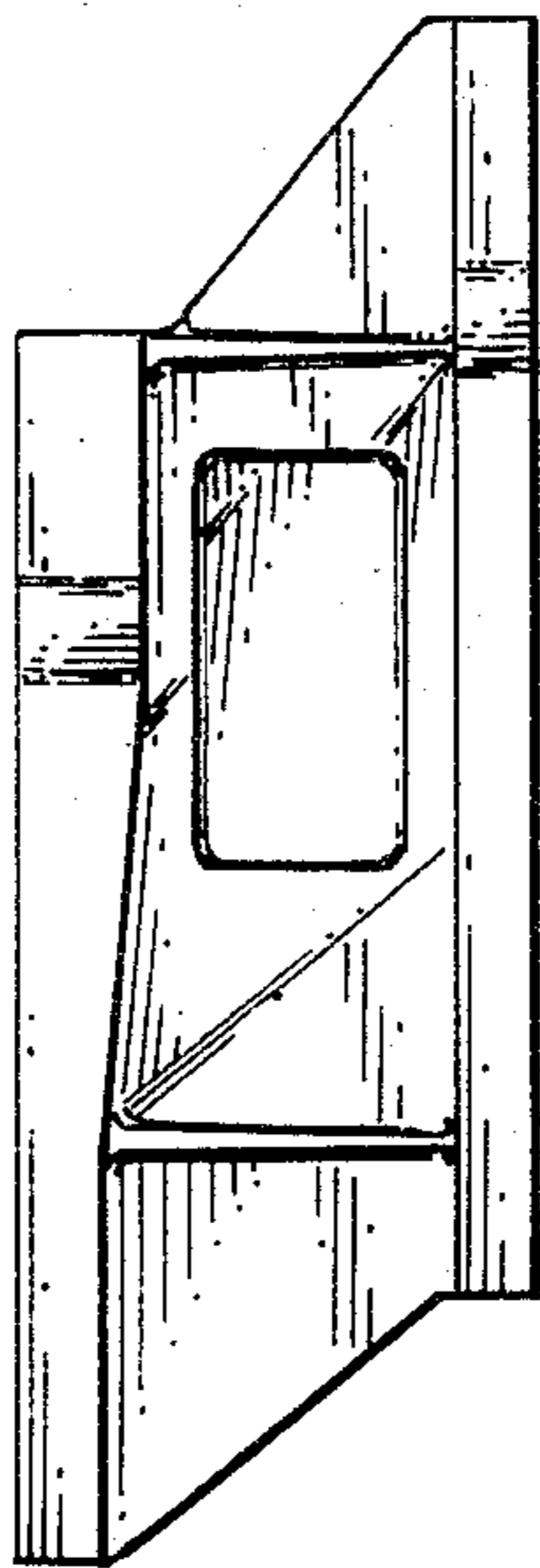


FIG. 5

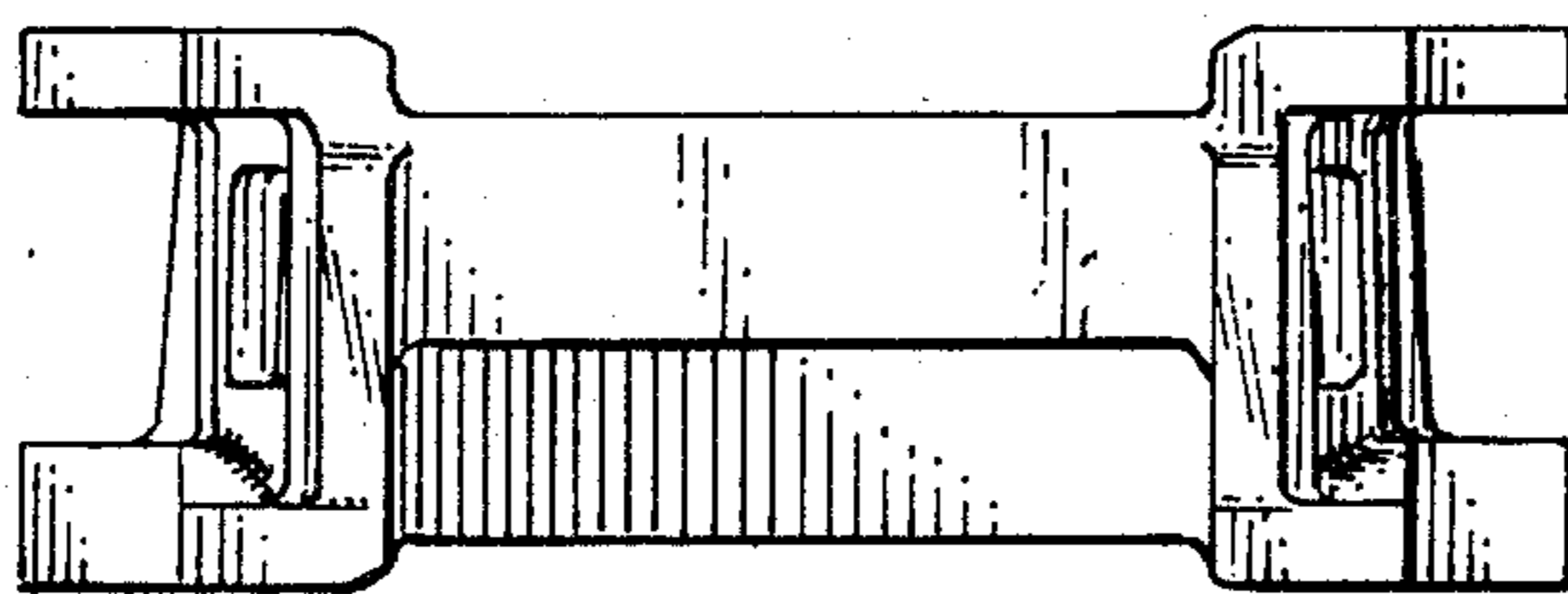


FIG. 4

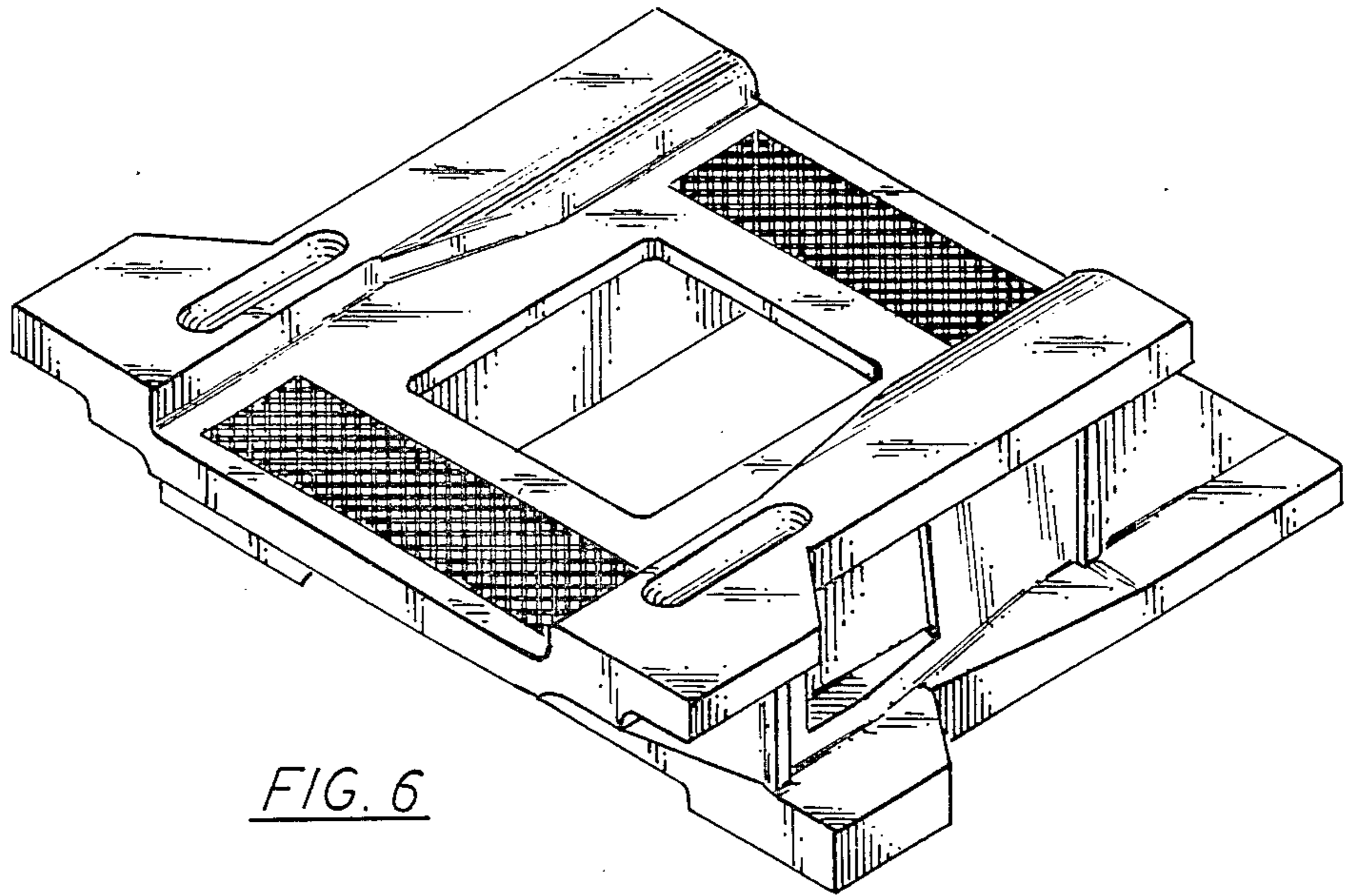


FIG. 6

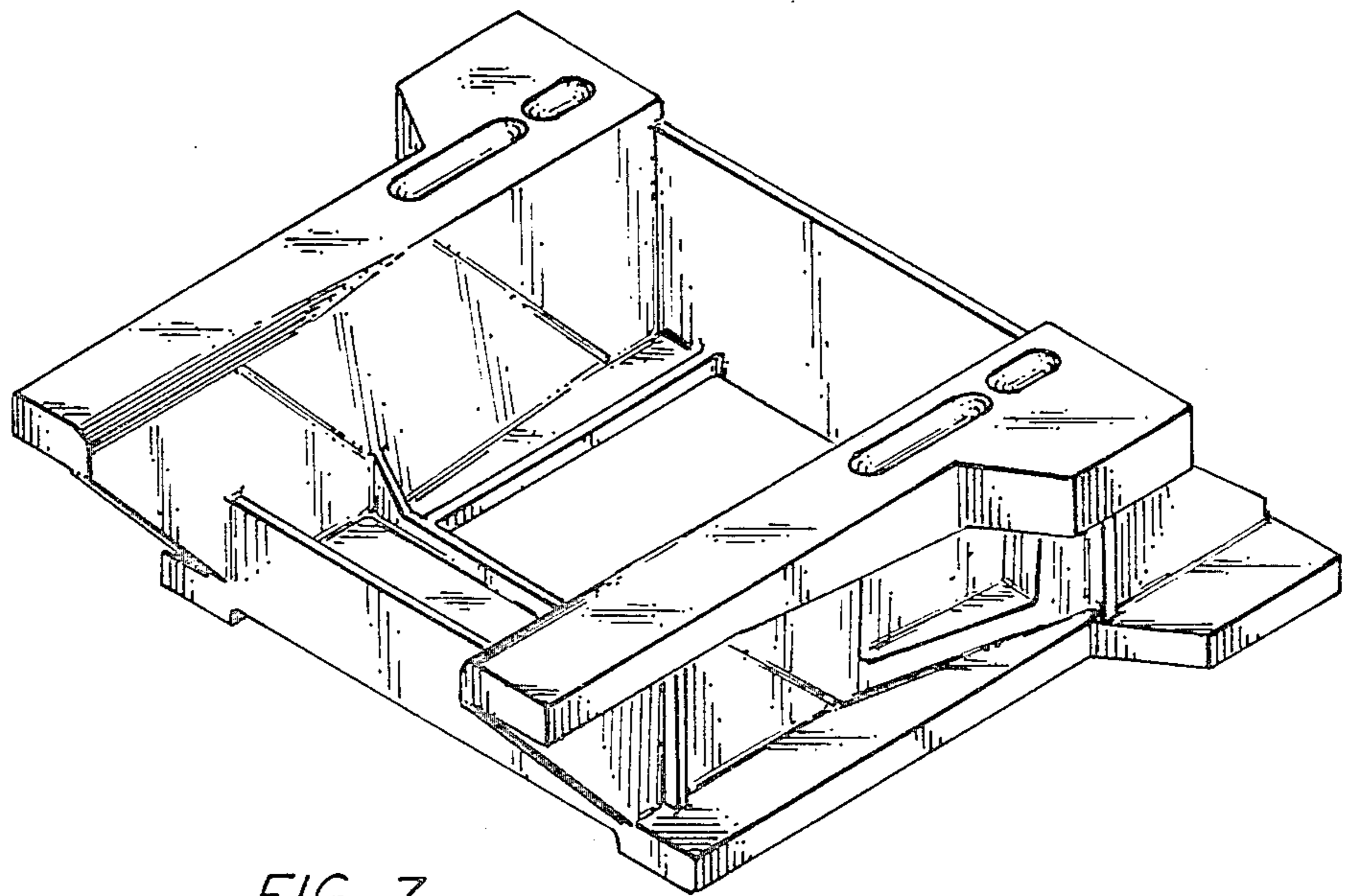


FIG. 7