

[54] ELECTRONIC TELLER MACHINE

[75] Inventor: Kunio Akiyama, Osaka, Japan

[73] Assignee: Sharp Corporation, Osaka, Japan

[\*\*] Term: 14 Years

[21] Appl. No.: 670,476

[22] Filed: Nov. 9, 1984

[30] Foreign Application Priority Data

May 11, 1984 [JP] Japan ..... 59-19227

[52] U.S. Cl. .... D14/106; D18/4; D18/7

[58] Field of Search ..... D14/100, 105, 106, 107, D14/114; D18/1, 4, 7; 340/700, 711, 365 R; 364/405, 406; 235/379, 380, 381

[56] References Cited

U.S. PATENT DOCUMENTS

D. 228,236 8/1973 Nakanishi ..... D18/7

D. 228,290 9/1973 Hazama ..... D18/7  
D. 237,196 10/1975 Lotter et al. .... D14/106  
D. 254,617 4/1980 Yamasaki ..... D14/105  
D. 260,884 9/1981 Sakamoto ..... D14/105  
D. 264,599 5/1982 Sakamoto et al. .... D18/4

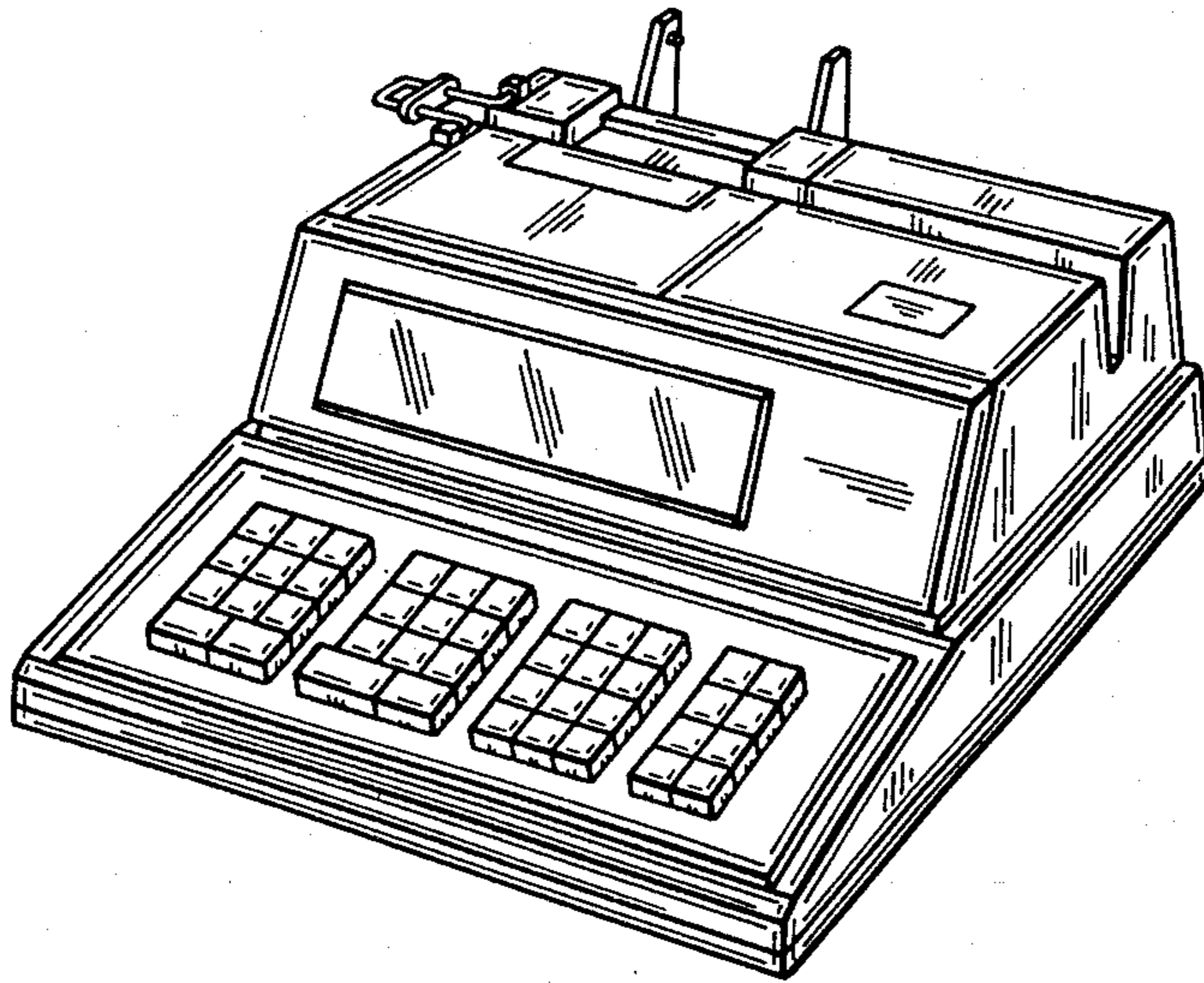
Primary Examiner—Susan J. Lucas  
Attorney, Agent, or Firm—Flehr, Hohbach, Test, Albritton & Herbert

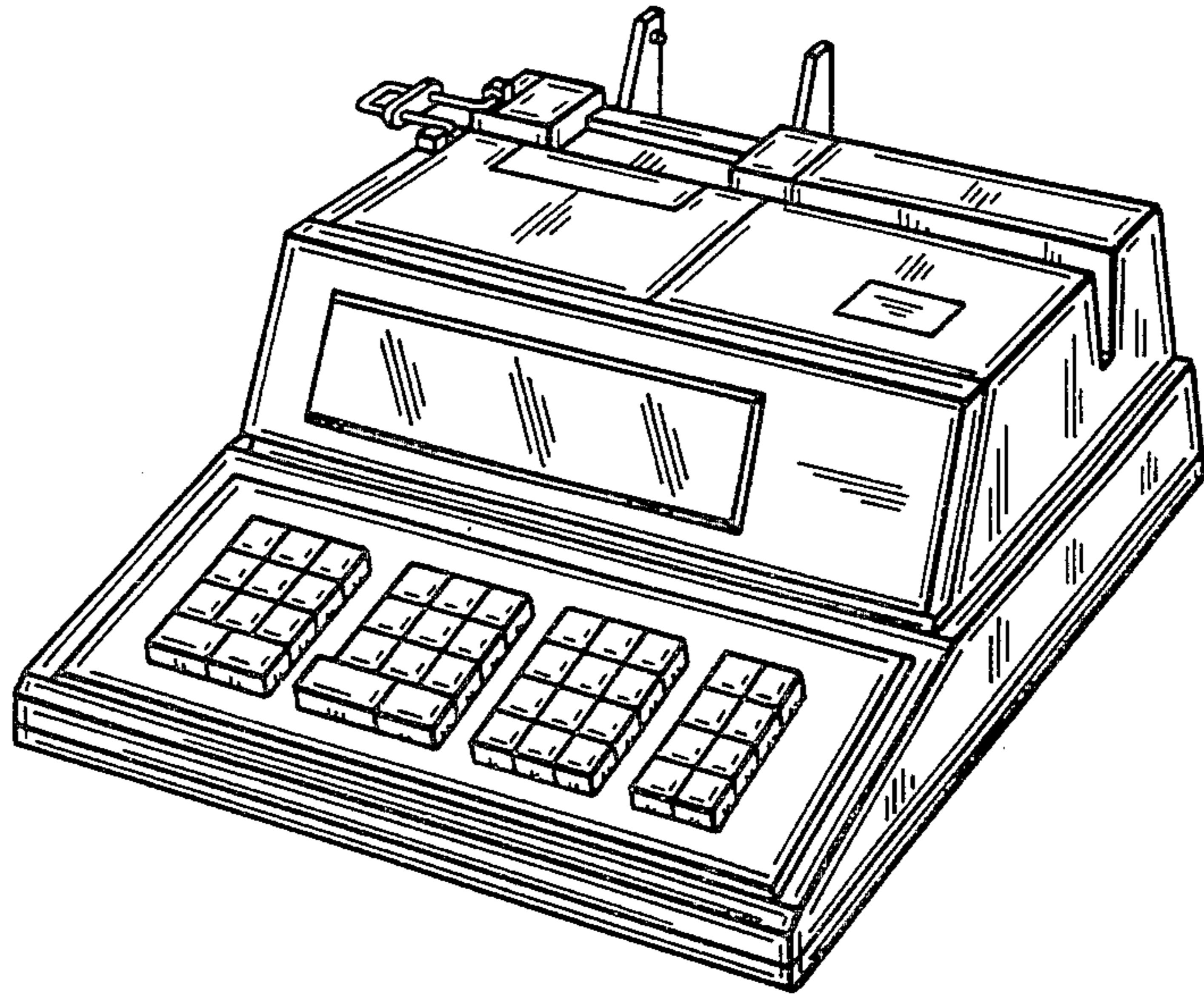
[57] CLAIM

The ornamental design for an electronic teller machine, as shown and described.

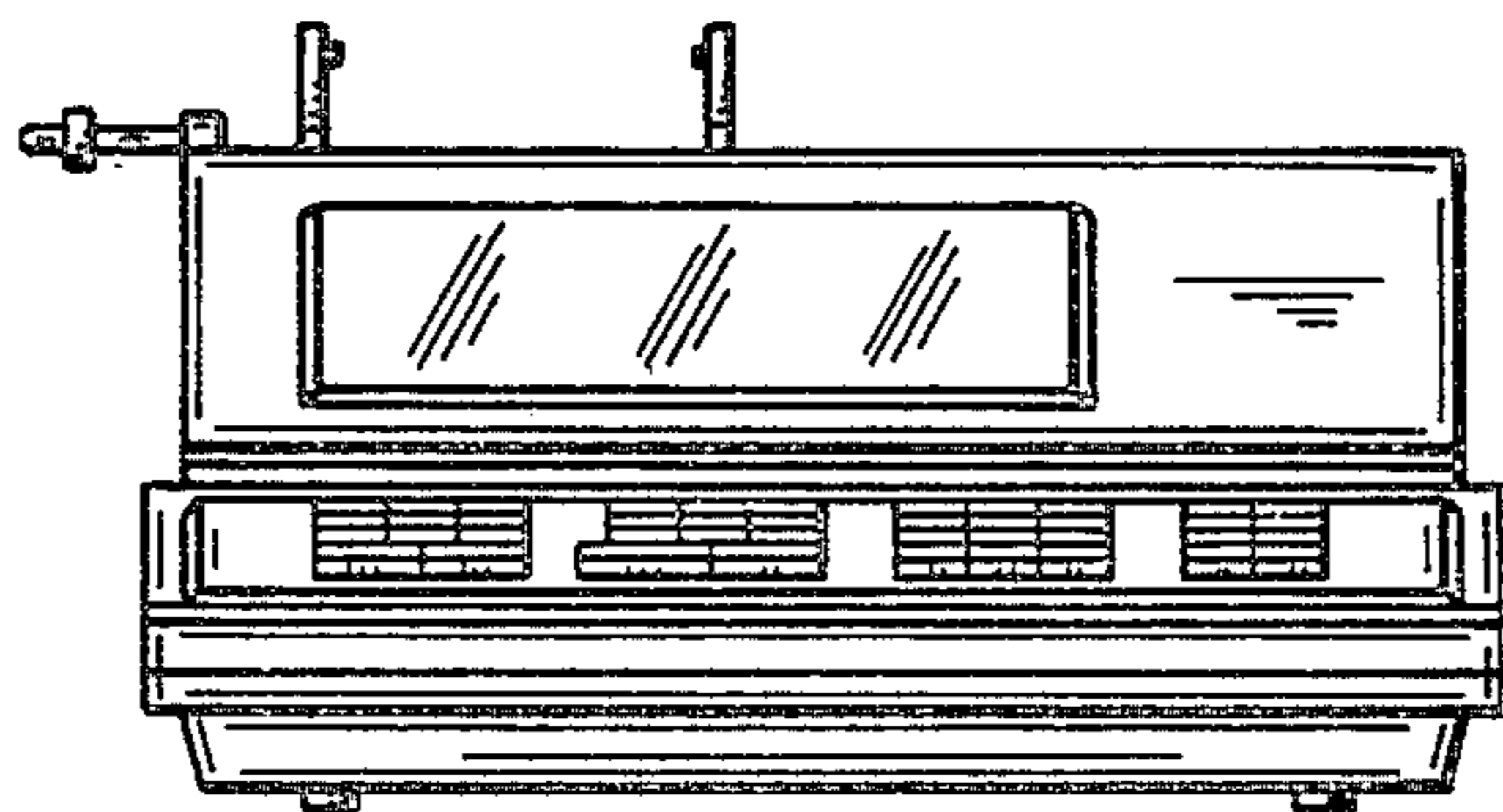
DESCRIPTION

FIG. 1 is a perspective view of the electronic teller machine showing my new design;  
FIG. 2 is a front elevational view thereof;  
FIG. 3 is a rear elevational view thereof;  
FIG. 4 is a top plan view thereof;  
FIG. 5 is a bottom plan view thereof;  
FIG. 6 is a right side elevational view thereof; and  
FIG. 7 is a left side elevational view thereof.

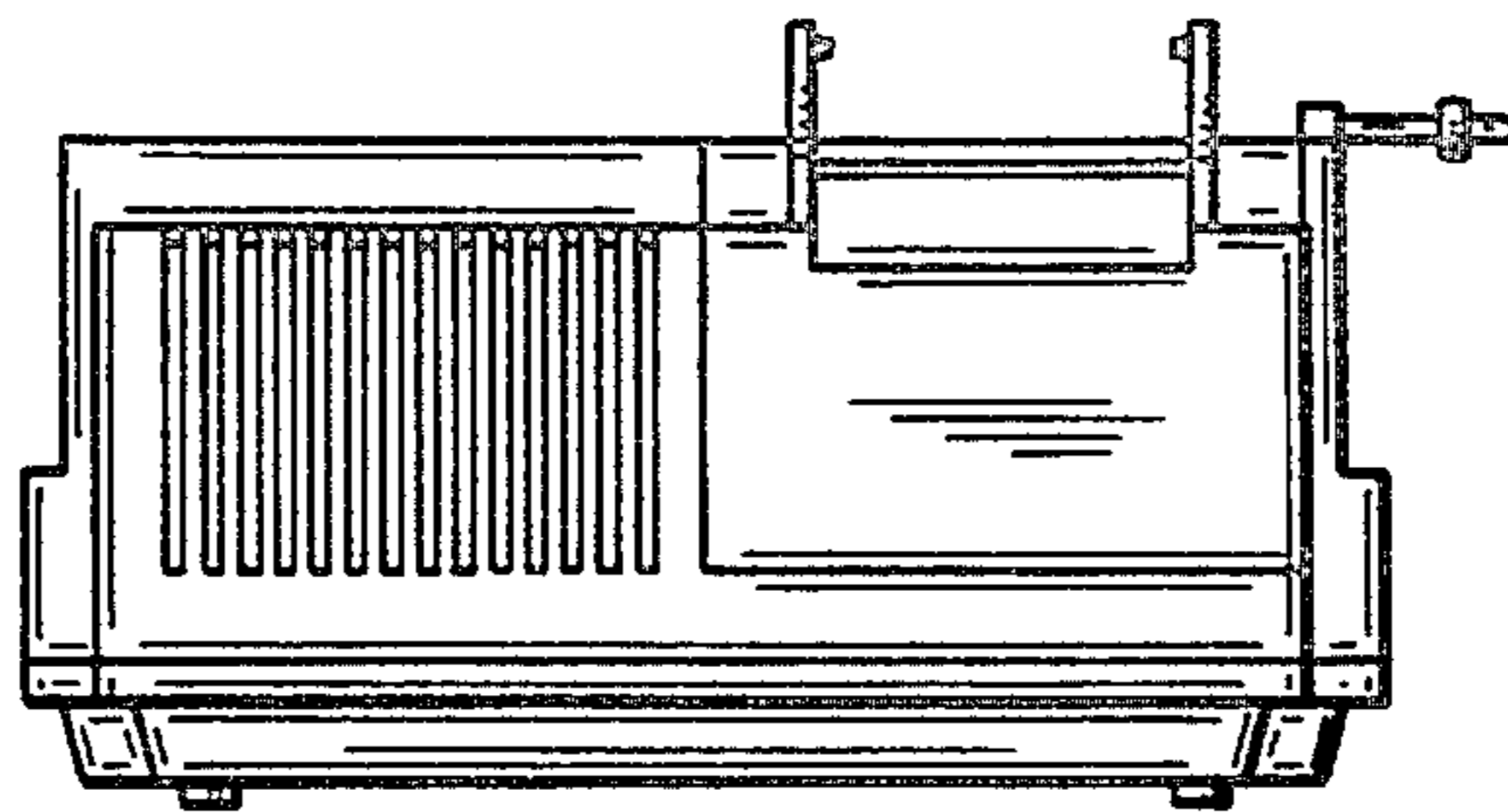




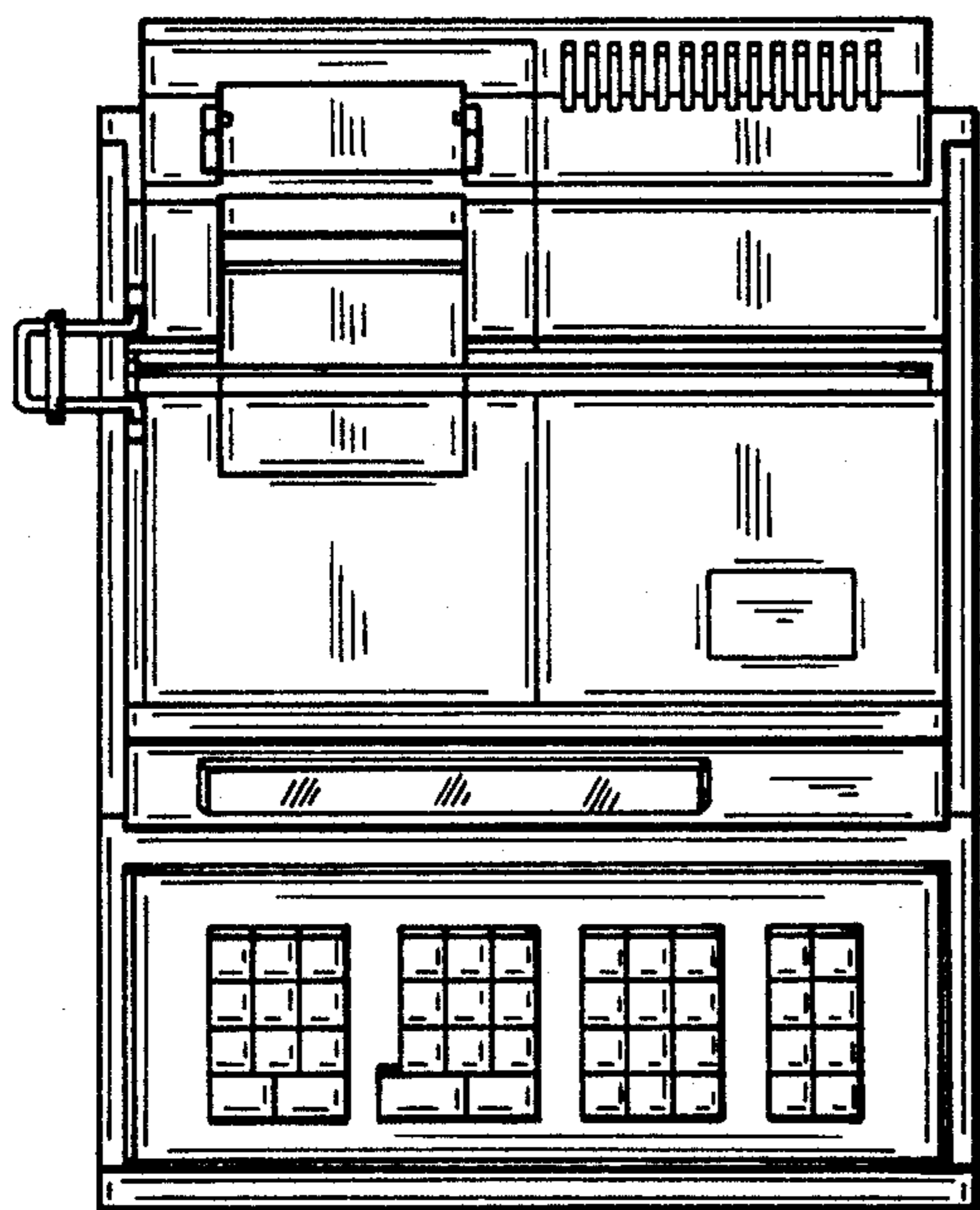
FIG\_1



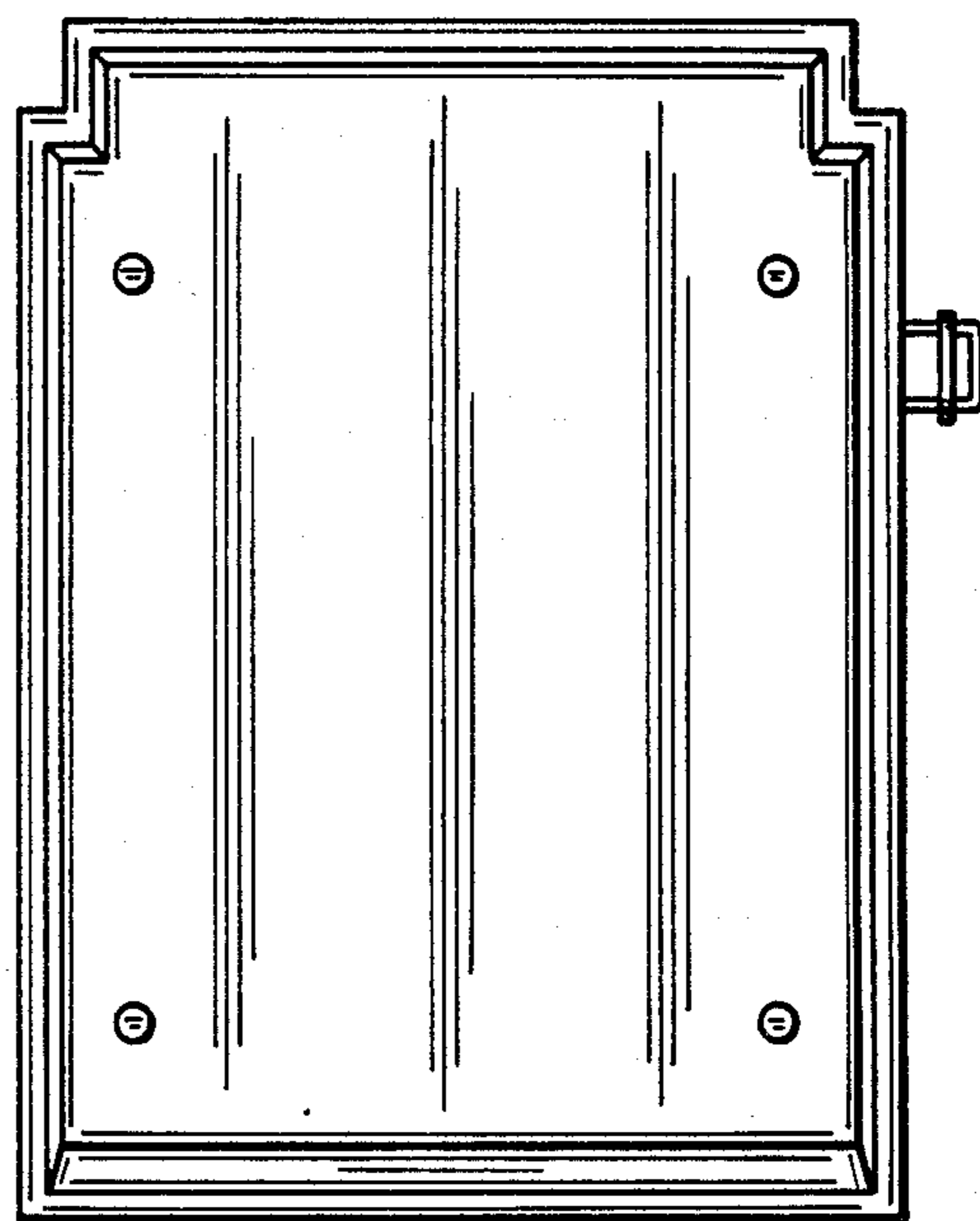
FIG\_2



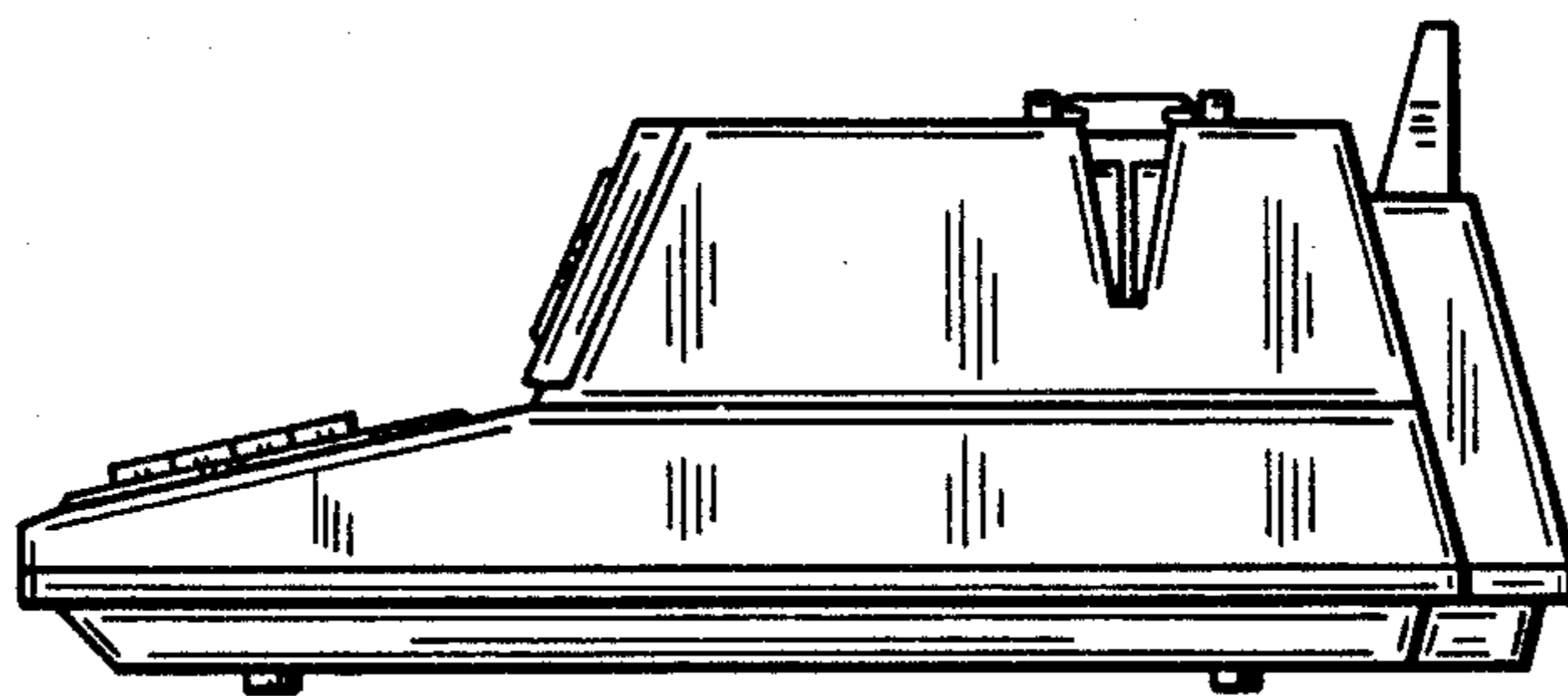
FIG\_3



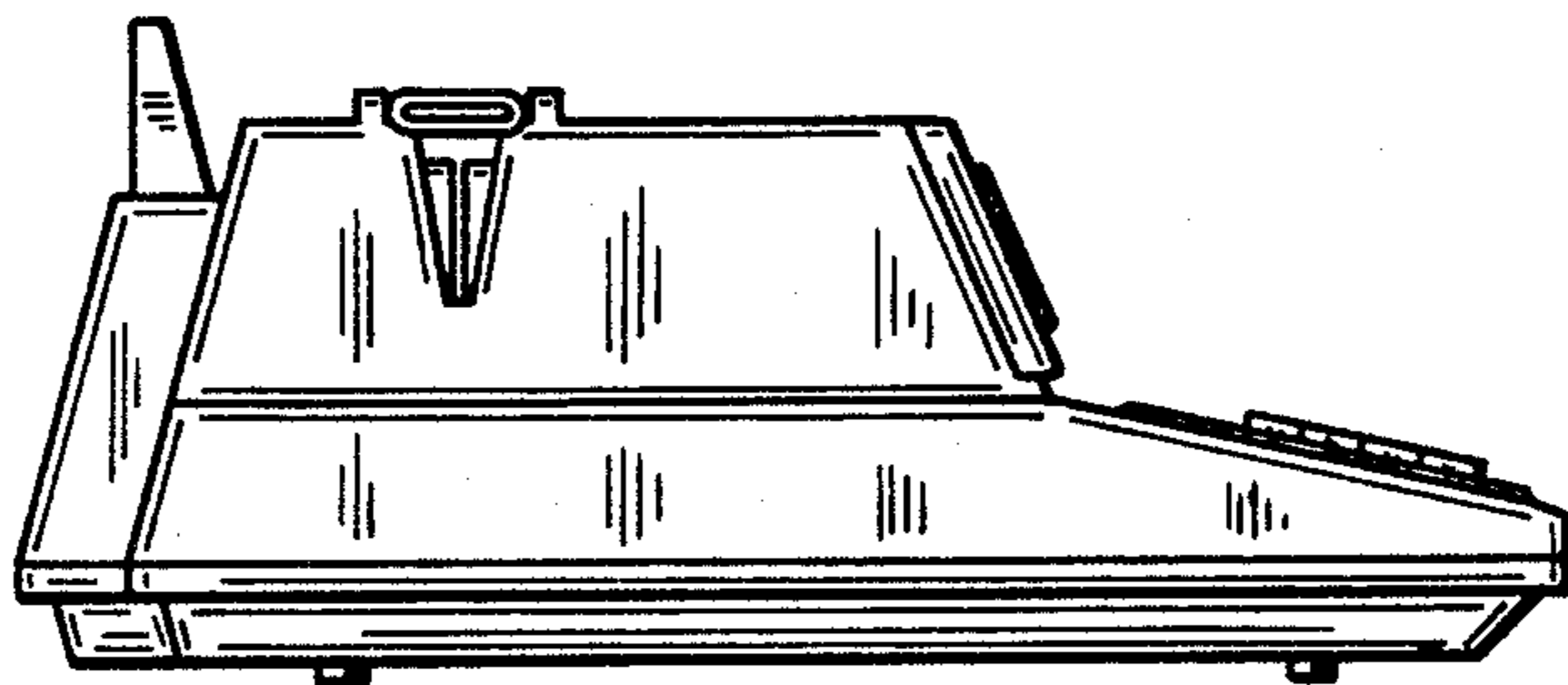
**FIG\_4**



**FIG\_5**



**FIG\_6**



**FIG\_7**