

[54] MOTORCYCLE TIRE

[75] Inventor: Kazushige Ikeda, Hyogo, Japan

[73] Assignee: Sumitomo Rubber Industries, Ltd.,
Kobe, Japan

[**] Term: 14 Years

[21] Appl. No.: 688,626

[22] Filed: Jan. 3, 1985

[30] Foreign Application Priority Data

Oct. 17, 1984 [JP] Japan 59-43131

[52] U.S. Cl. D12/147

[58] Field of Search D12/136, 137, 146-151;
152/209 R, 209 D, 209 B

[56] References Cited

U.S. PATENT DOCUMENTS

D. 274,051 5/1984 Ohkuni et al. D12/146

OTHER PUBLICATIONS

1984 Tread Design Guide, p. 235, Bridgestone Mag. Mopus Premium-G512 Street Tire, second Tire in from bottom right side of page.

Primary Examiner—James M. Gandy
Attorney, Agent, or Firm—Cushman, Darby & Cushman

[57] CLAIM

The ornamental design for a motorcycle tire, as shown and described.

DESCRIPTION

FIG. 1 is a perspective view of a motorcycle tire showing my new design, it being understood that the tread pattern is repeated throughout the circumference of the tire;

FIG. 2 is an end elevational view thereof; and
FIG. 3 is a side elevational view of the side shown, the opposite side being a mirror image thereof.

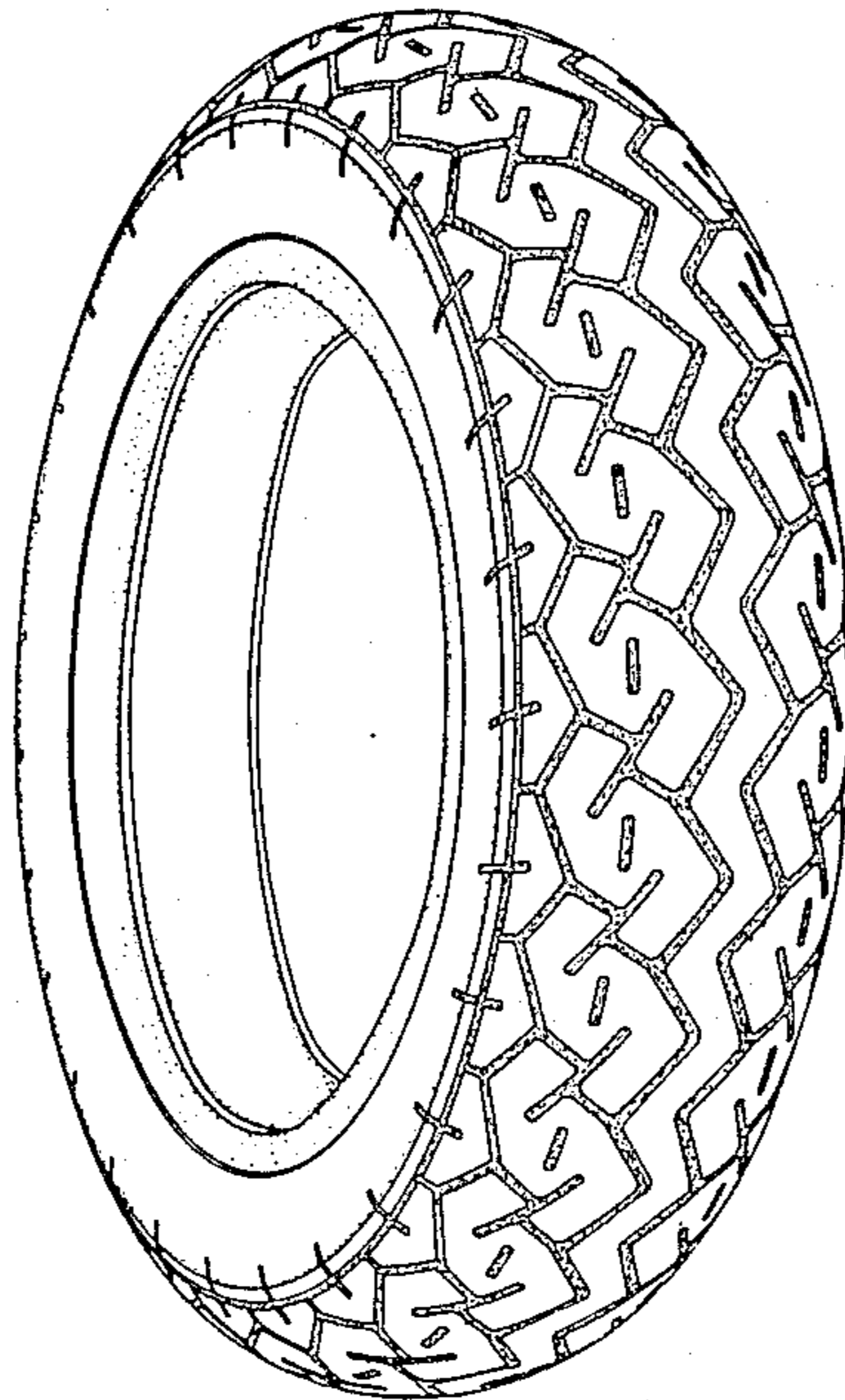


FIG. 1

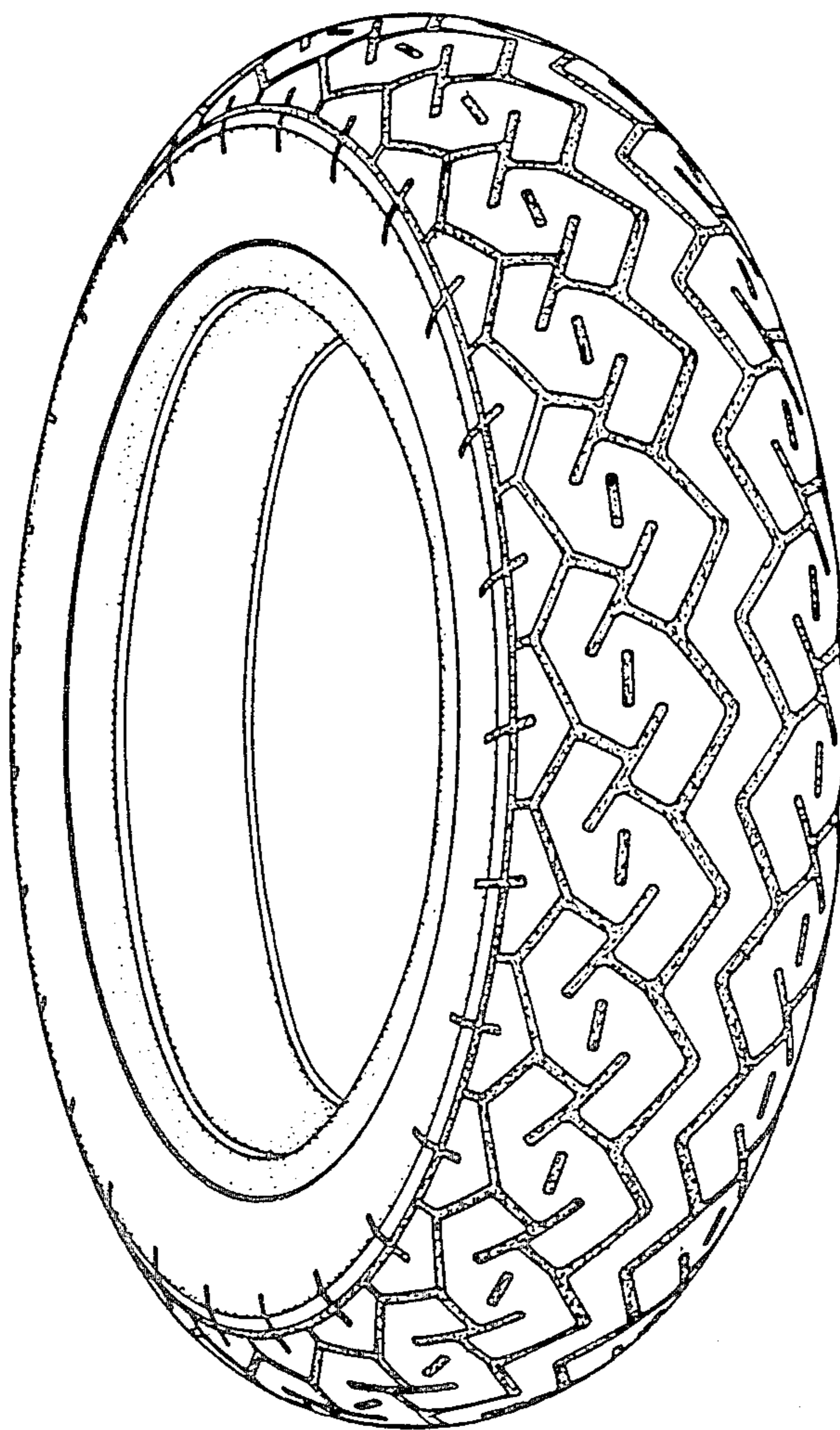


FIG. 2

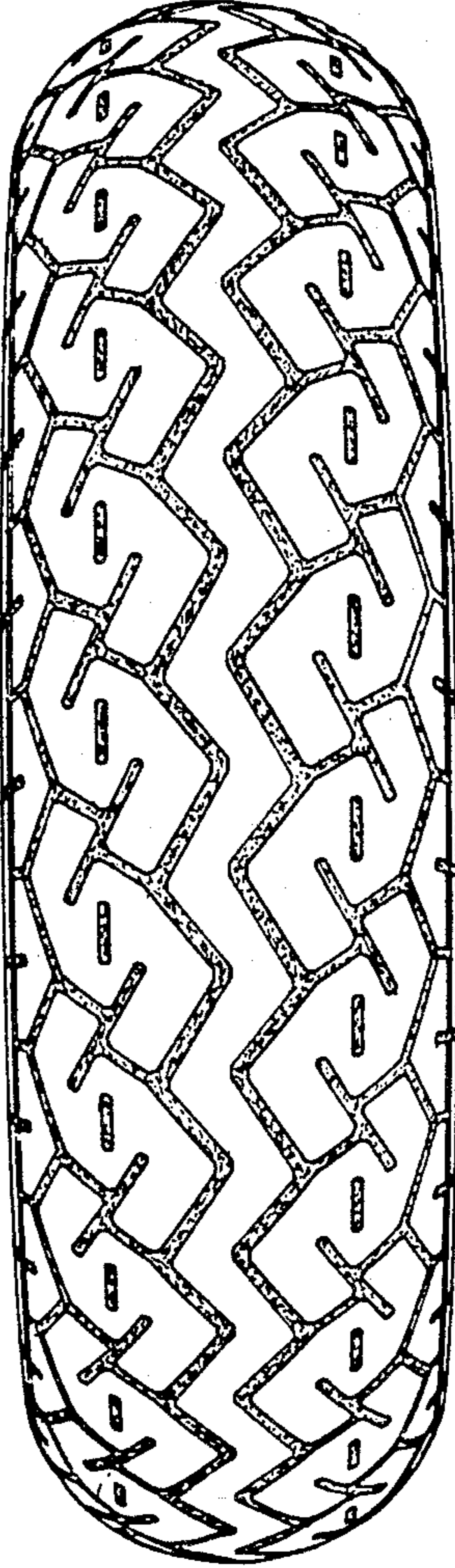


FIG. 3

