

[54] **LEFT FRONT FENDER FOR AN AUTOMOBILE**

[75] **Inventors: Björn E. A. Envall, Vänersborg, Sweden; Giorgetto Giugiaro, Turin, Italy**

[73] **Assignee: Saab-Scania Aktiebolag, Trollhattan, Sweden**

[**] **Term: 14 Years**

[21] **Appl. No.: 603,949**

[22] **Filed: Apr. 24, 1984**

[30] **Foreign Application Priority Data**

Oct. 26, 1983 [SE] Sweden 83-2773

[52] **U.S. Cl. D12/184**

[58] **Field of Search D12/184; 280/152 R, 280/153 R**

[56] **References Cited**

U.S. PATENT DOCUMENTS

D. 276,332 11/1984 Wilsgaard D12/184

OTHER PUBLICATIONS

Motor Trend, 5/82, p. 97, Left Front Fender of Saab 900, top of page; Front Cover, Left Front Fender of Volvo 760 GLE.

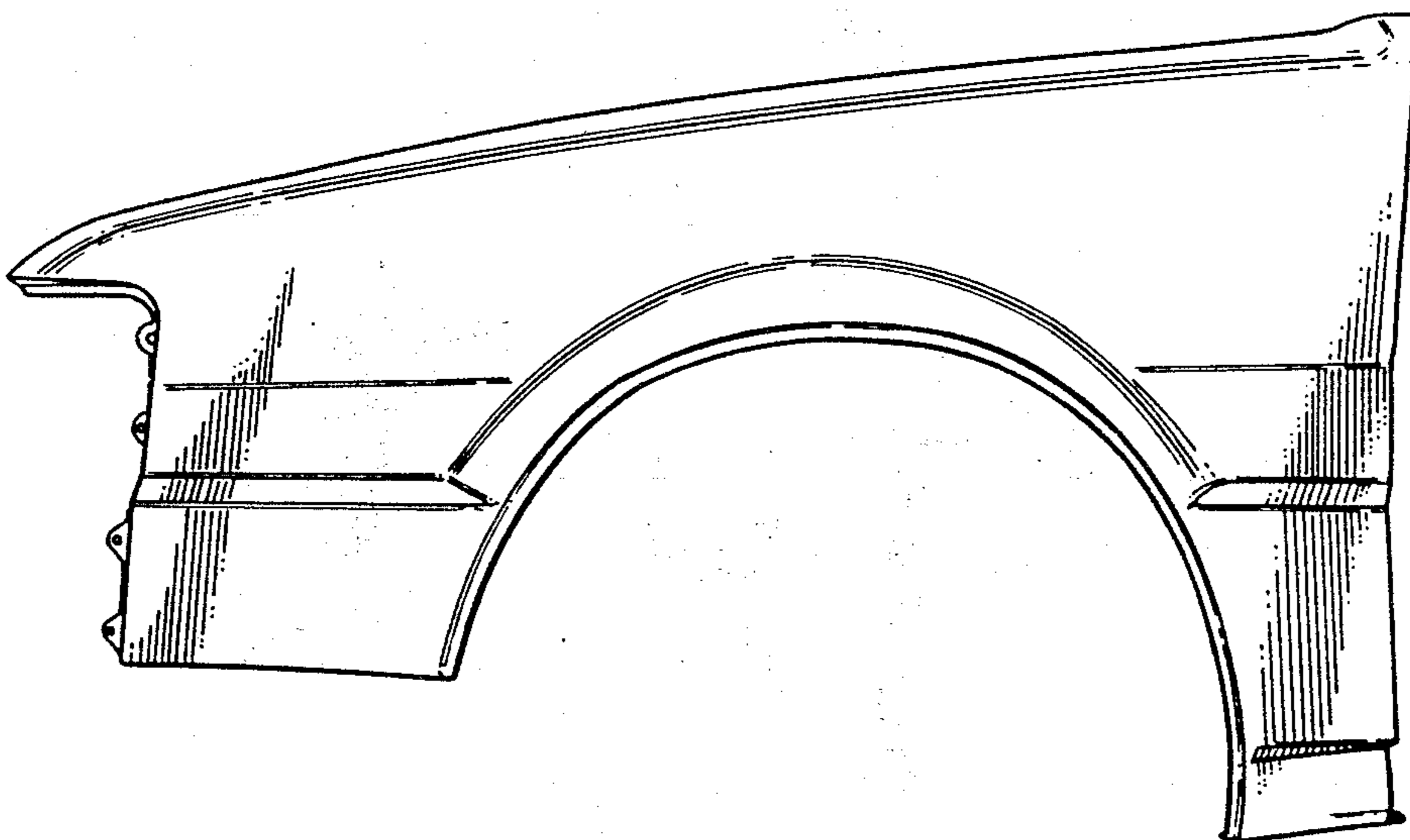
Primary Examiner—James M. Gandy
Attorney, Agent, or Firm—Young & Thompson

[57] **CLAIM**

The ornamental design for a left front fender for an automobile, as shown.

DESCRIPTION

FIG. 1 is a front elevational view of the outside of a left front fender for an automobile, showing our new design;
FIG. 2 is a rear perspective view of the inside thereof; and
FIG. 3 is a top front perspective view of the outside thereof.



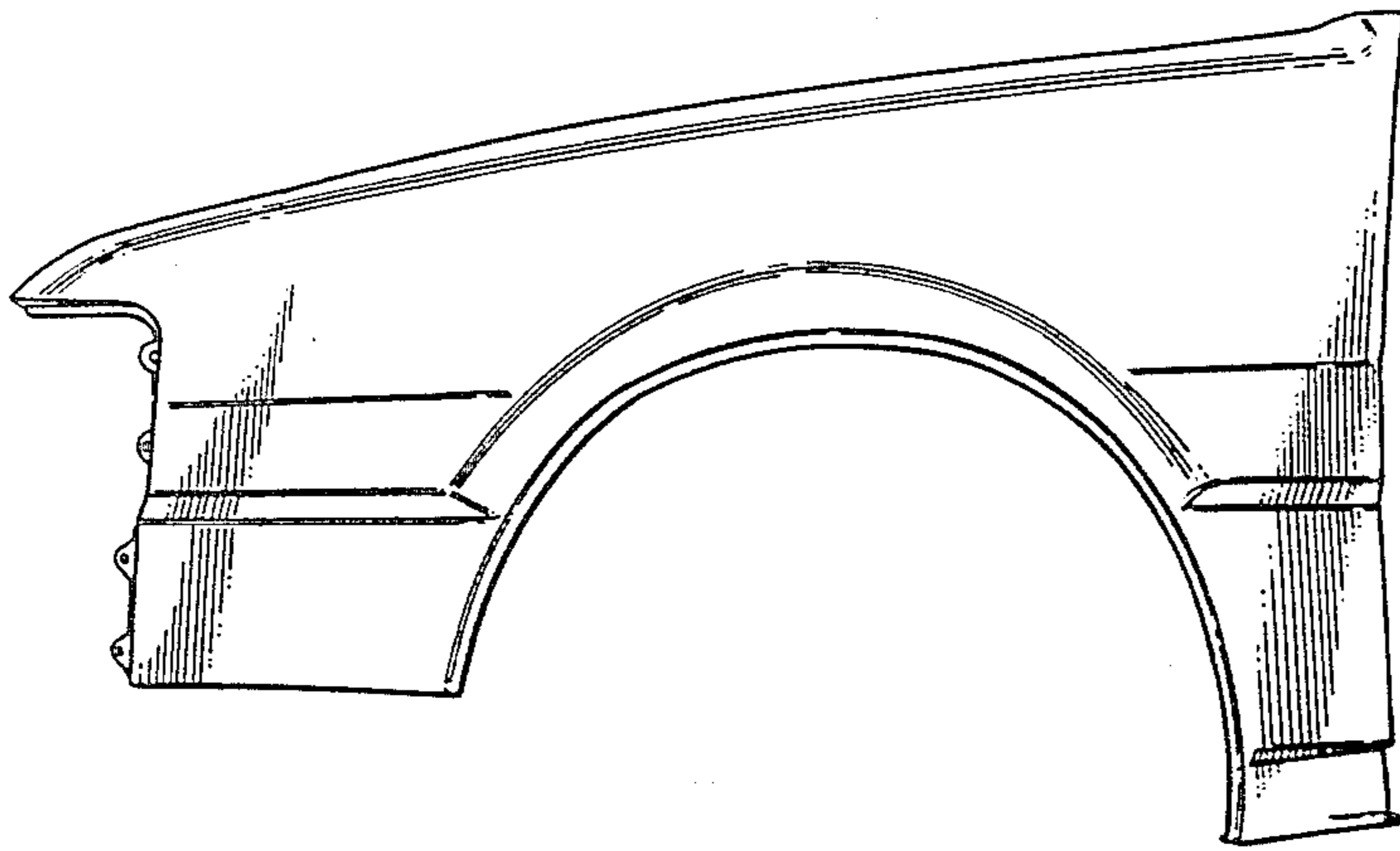


FIG. 1

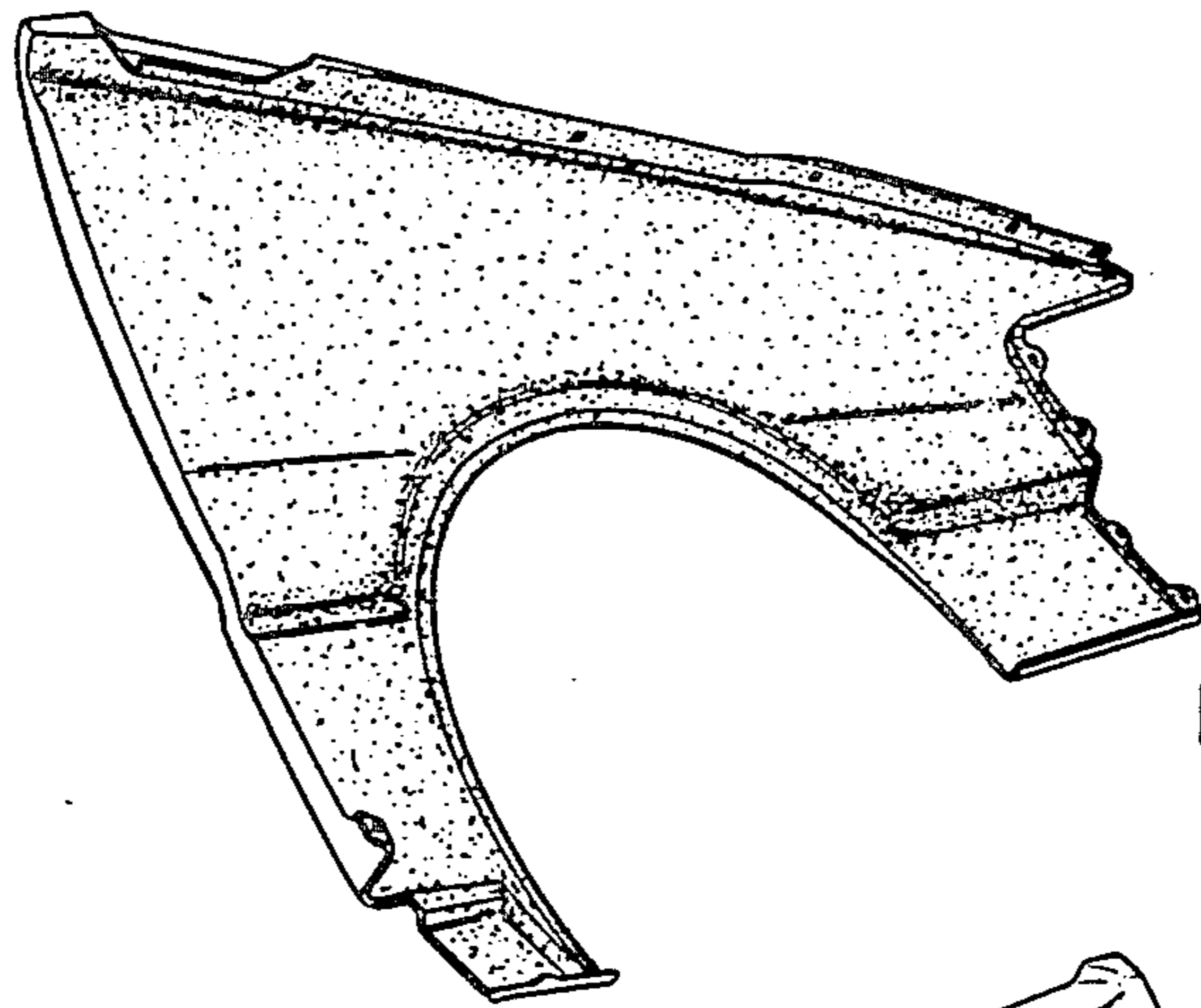


FIG. 2

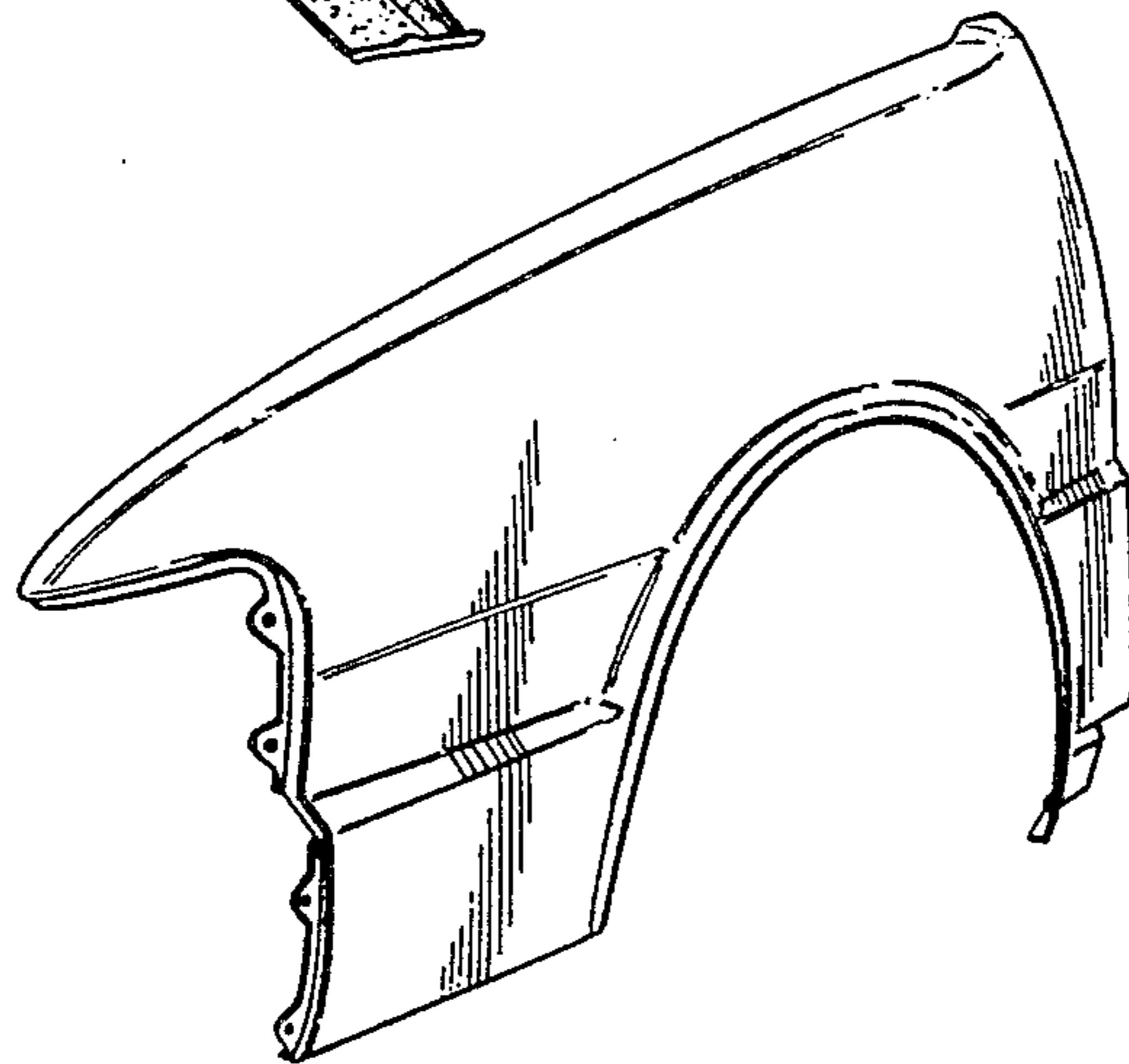


FIG. 3