

[54] PRESET TIMER

[76] Inventor: Tai-Her Yang, 5-1, Tai-Pin Street, Si-Hu Town, Dzan-Hwa, Taiwan

[\*\*] Term: 14 Years

[21] Appl. No.: 649,652

[22] Filed: Sep. 12, 1984

[52] U.S. Cl. .... D10/40

[58] Field of Search ..... D10/30, 40; 368/89, 368/107-113, 276; D13/12, 28-30; 200/38 B, 38 BA, 38 C, 38 CA, 38 D, 38 DA, 38 FB

[56] References Cited

U.S. PATENT DOCUMENTS

- D. 214,510 6/1969 Lund ..... D13/30 X
- D. 234,215 1/1975 Feiske ..... D10/40
- D. 241,524 9/1976 Haggstrom ..... D10/40
- D. 246,159 10/1977 Podall ..... D10/40

- D. 283,106 3/1986 Yang ..... D10/40
- 2,905,776 9/1959 Eisenberg ..... 200/38 DA X
- 2,926,486 3/1960 Graves ..... 368/108 X
- 3,997,742 12/1976 Marquis ..... 200/38 FB
- 4,029,918 6/1977 Kah ..... 200/38 D

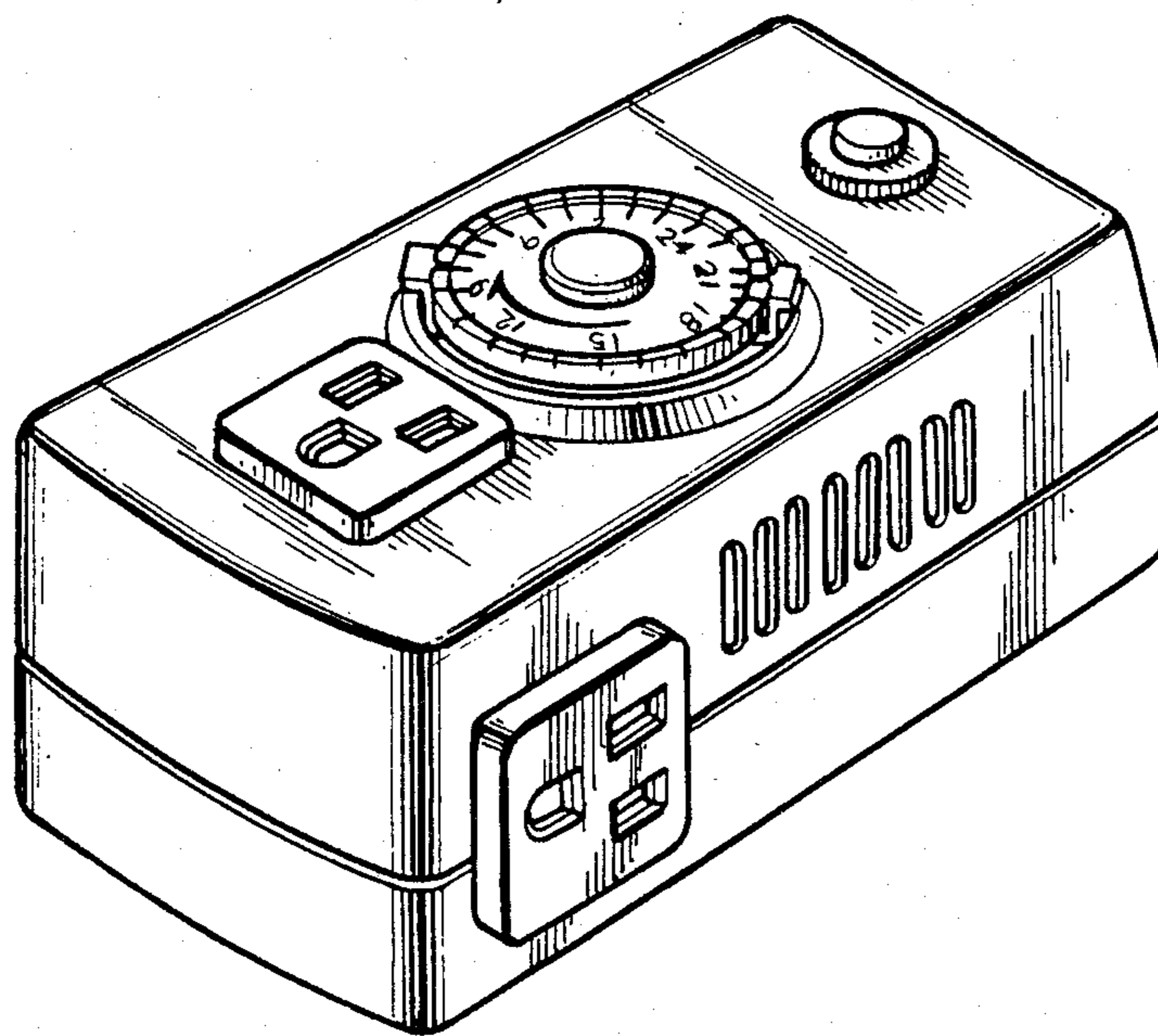
Primary Examiner—Nelson C. Holtje  
Attorney, Agent, or Firm—Cushman, Darby & Cushman

[57] CLAIM

The ornamental design for a preset timer, as shown.

DESCRIPTION

FIG. 1 is a top plan view of a preset timer showing my new design;  
 FIG. 2 is a right side elevational view thereof;  
 FIG. 3 is a left side elevational view thereof;  
 FIG. 4 is a rear elevational view thereof;  
 FIG. 5 is a front elevational view thereof;  
 FIG. 6 is a bottom plan view thereof;  
 FIG. 7 is a top and left front perspective view thereof.



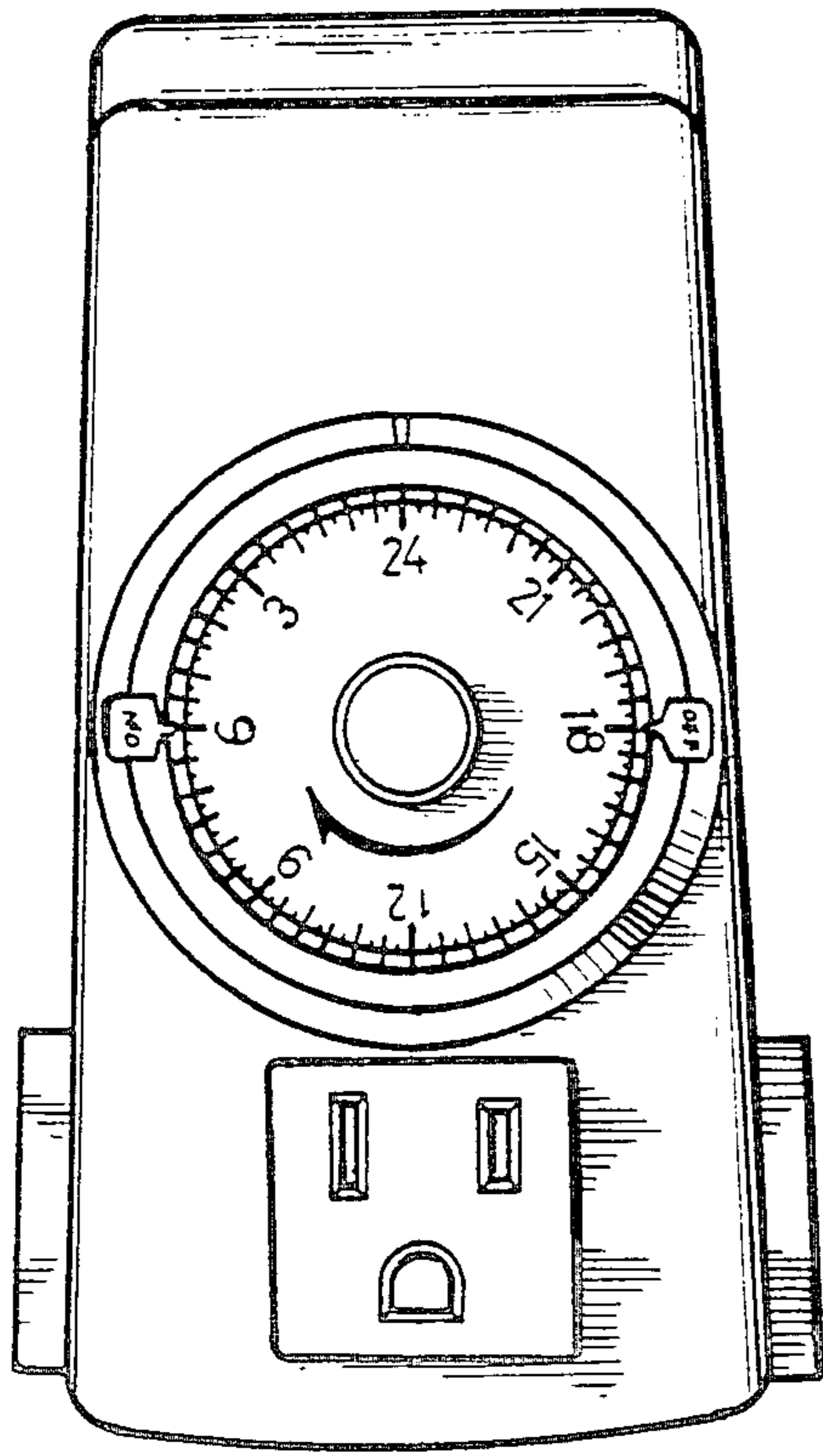


Fig. 1

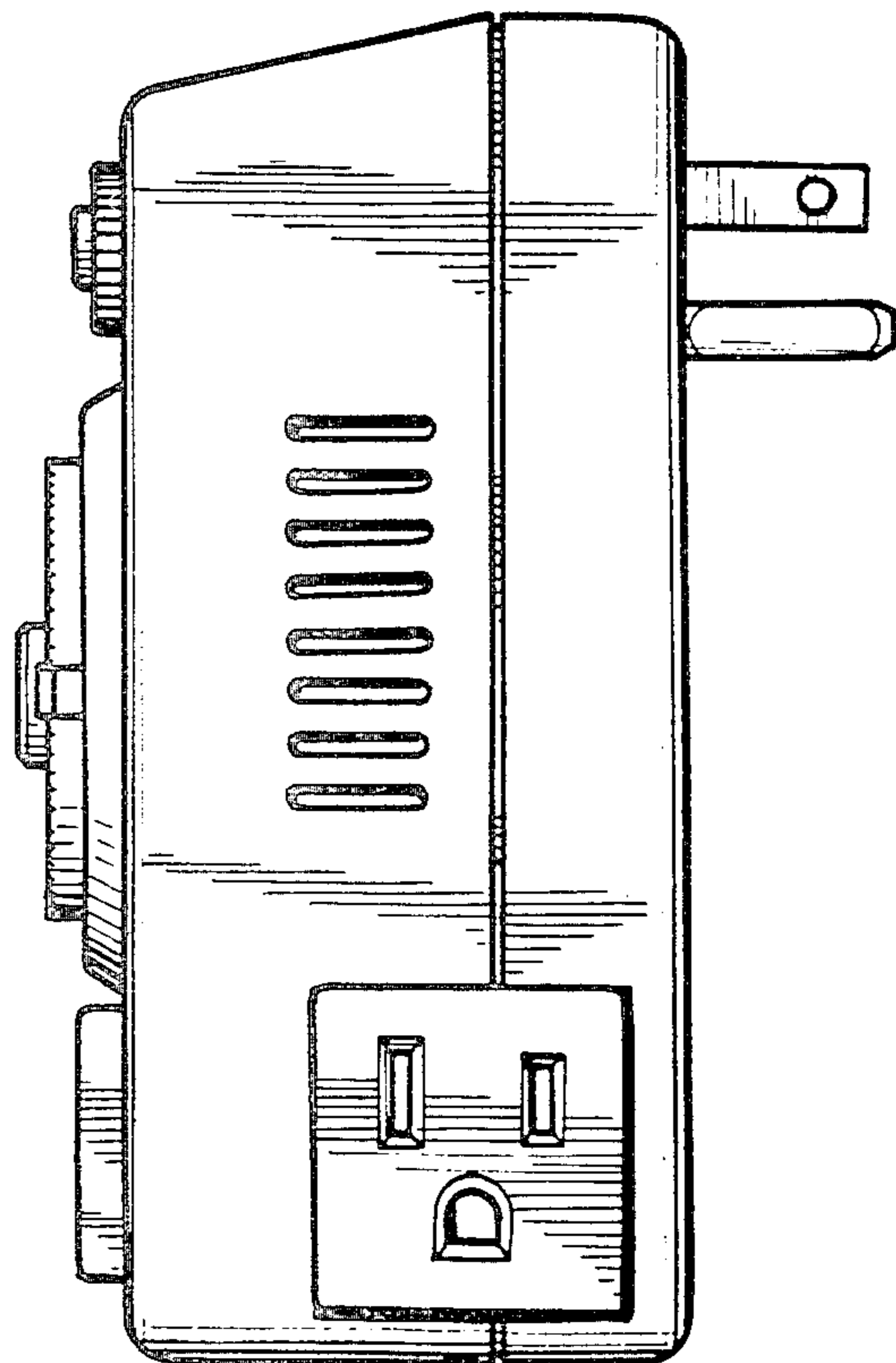


Fig. 2

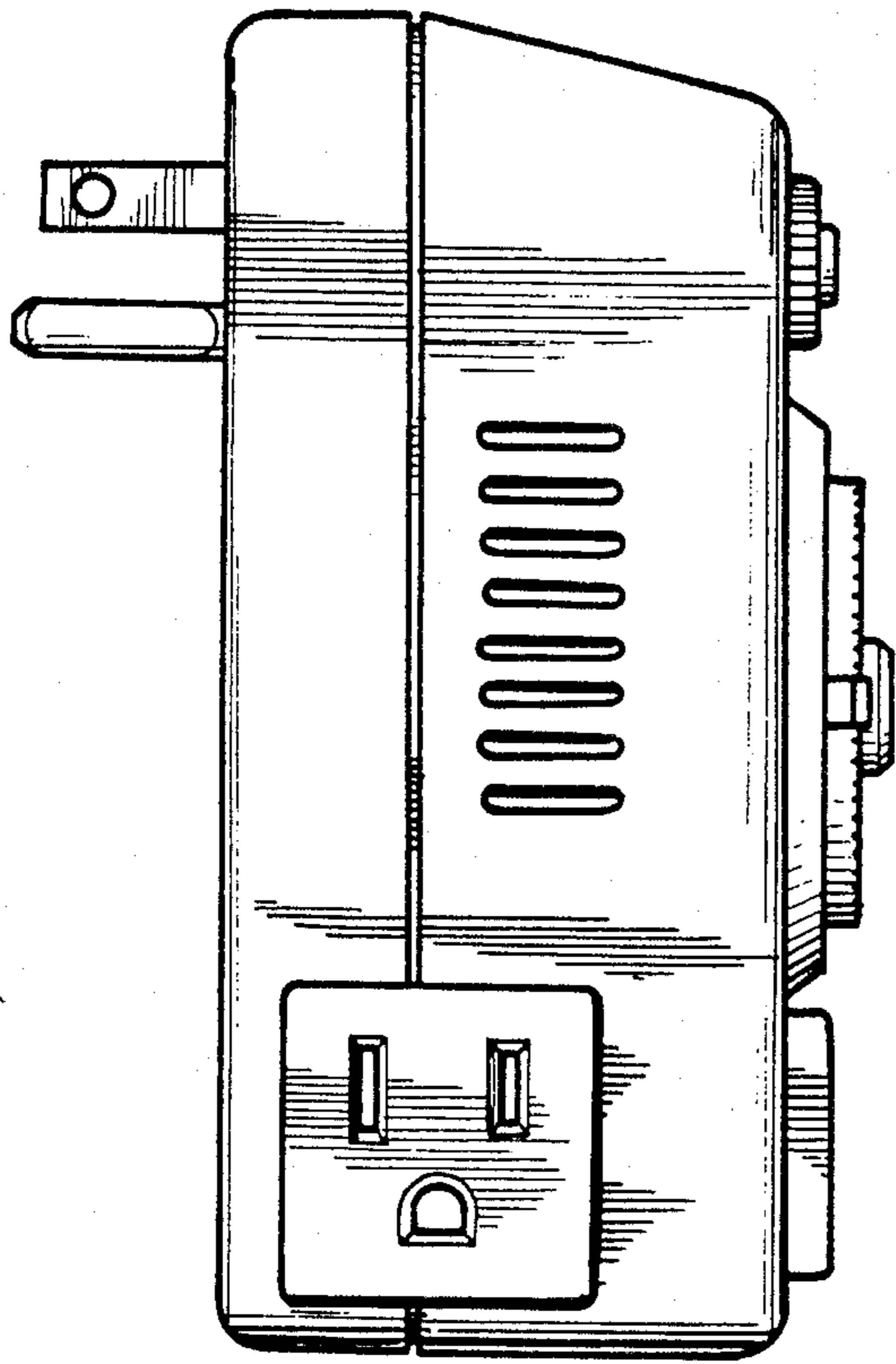


Fig. 3

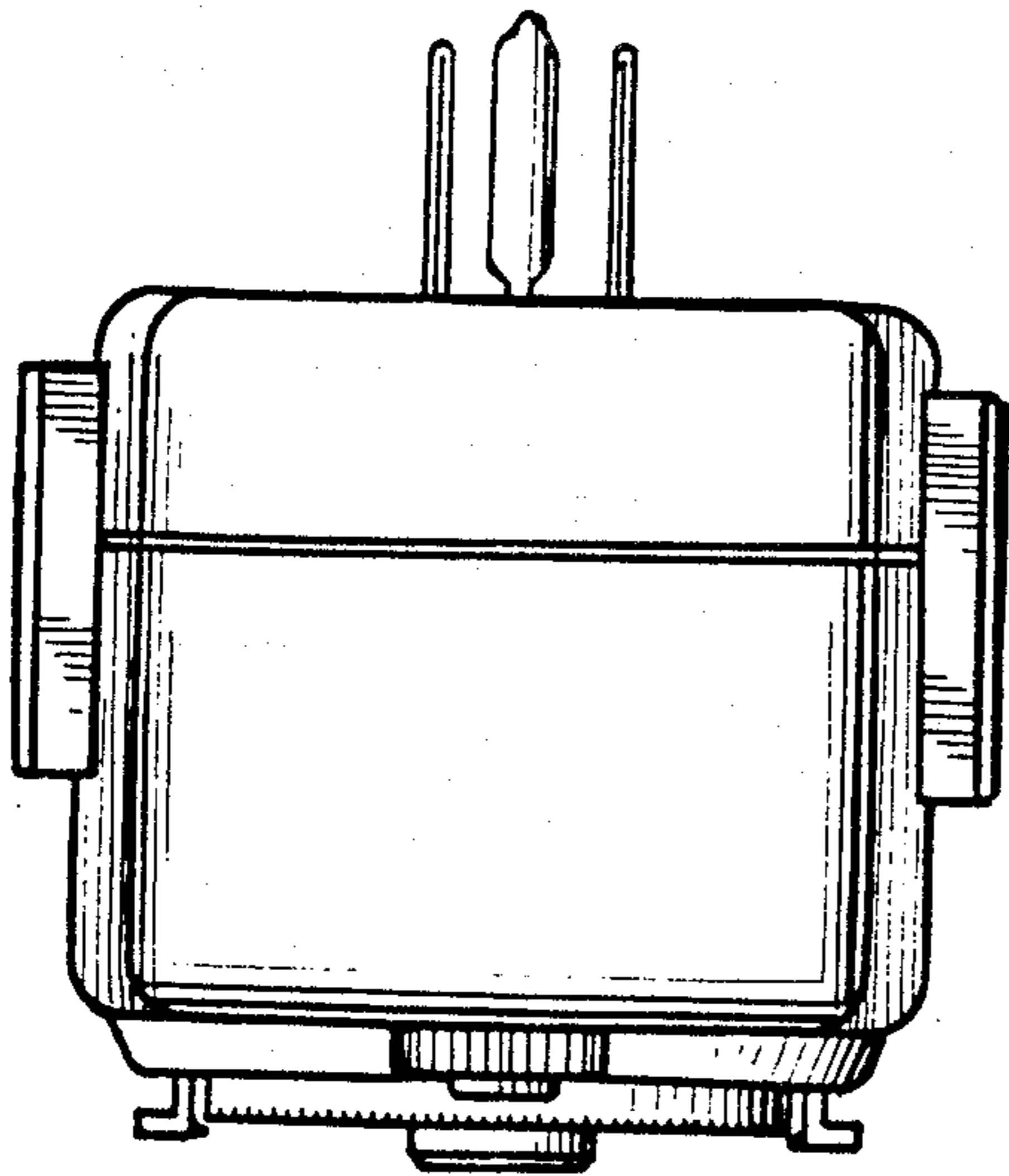


Fig. 4

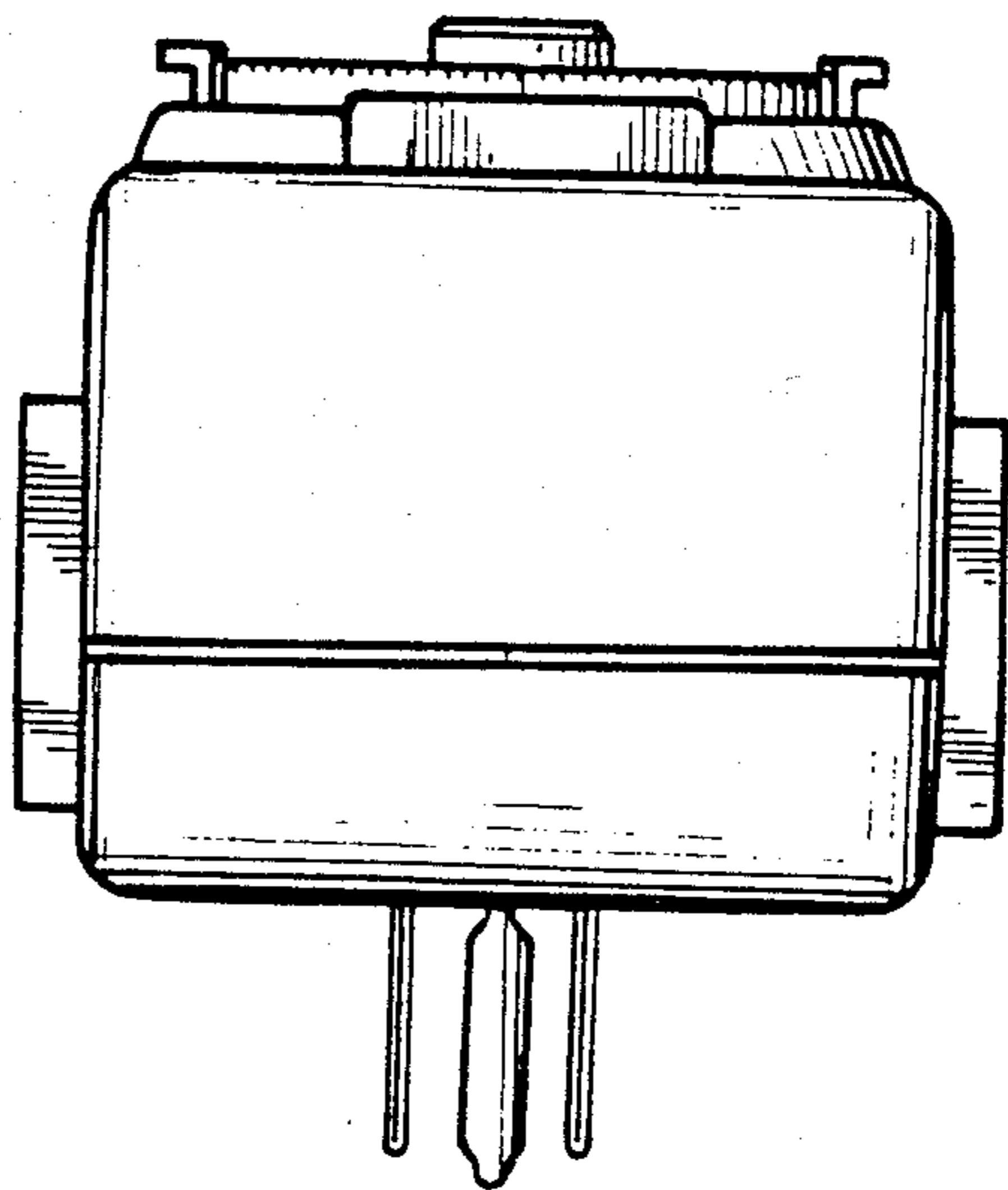


Fig. 5

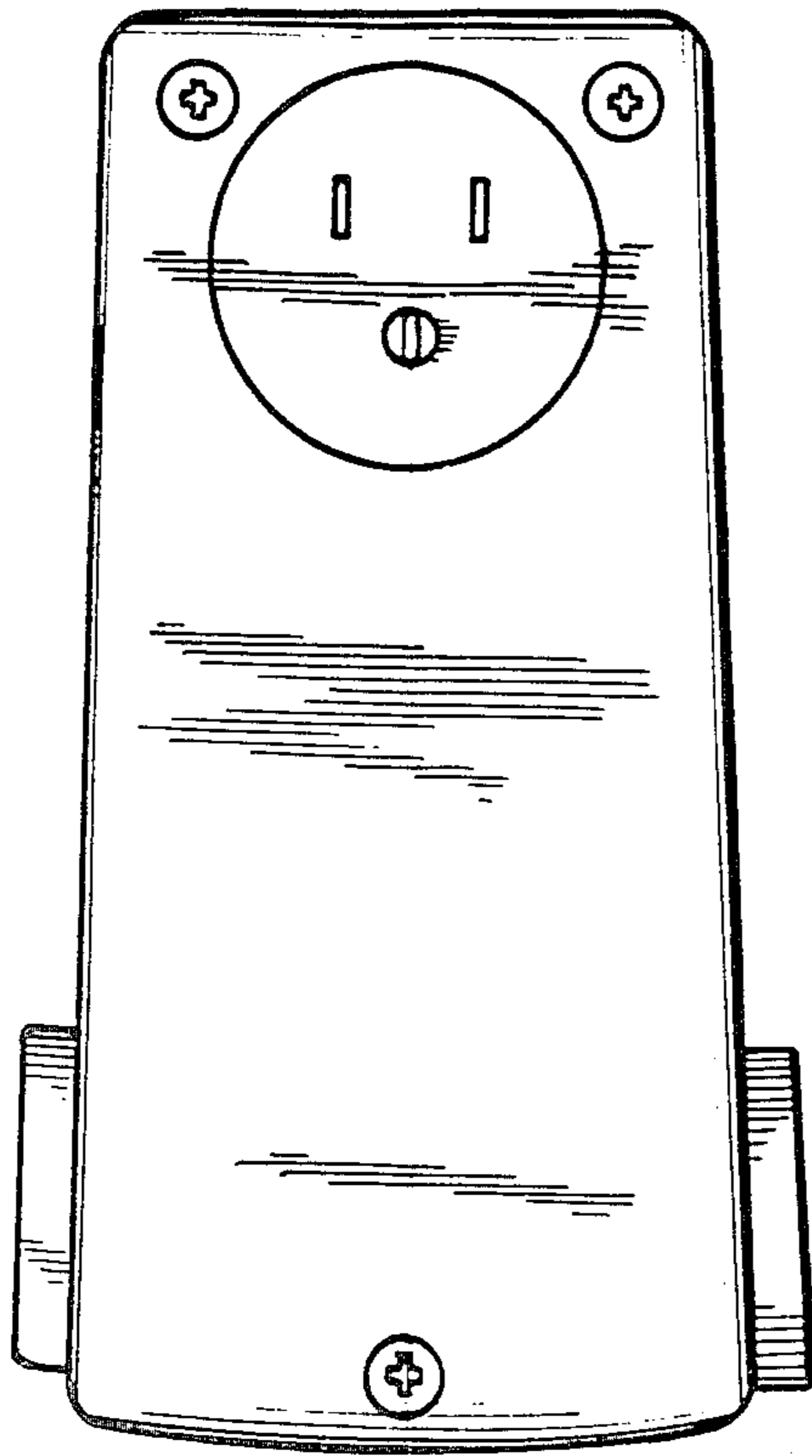


Fig. 6

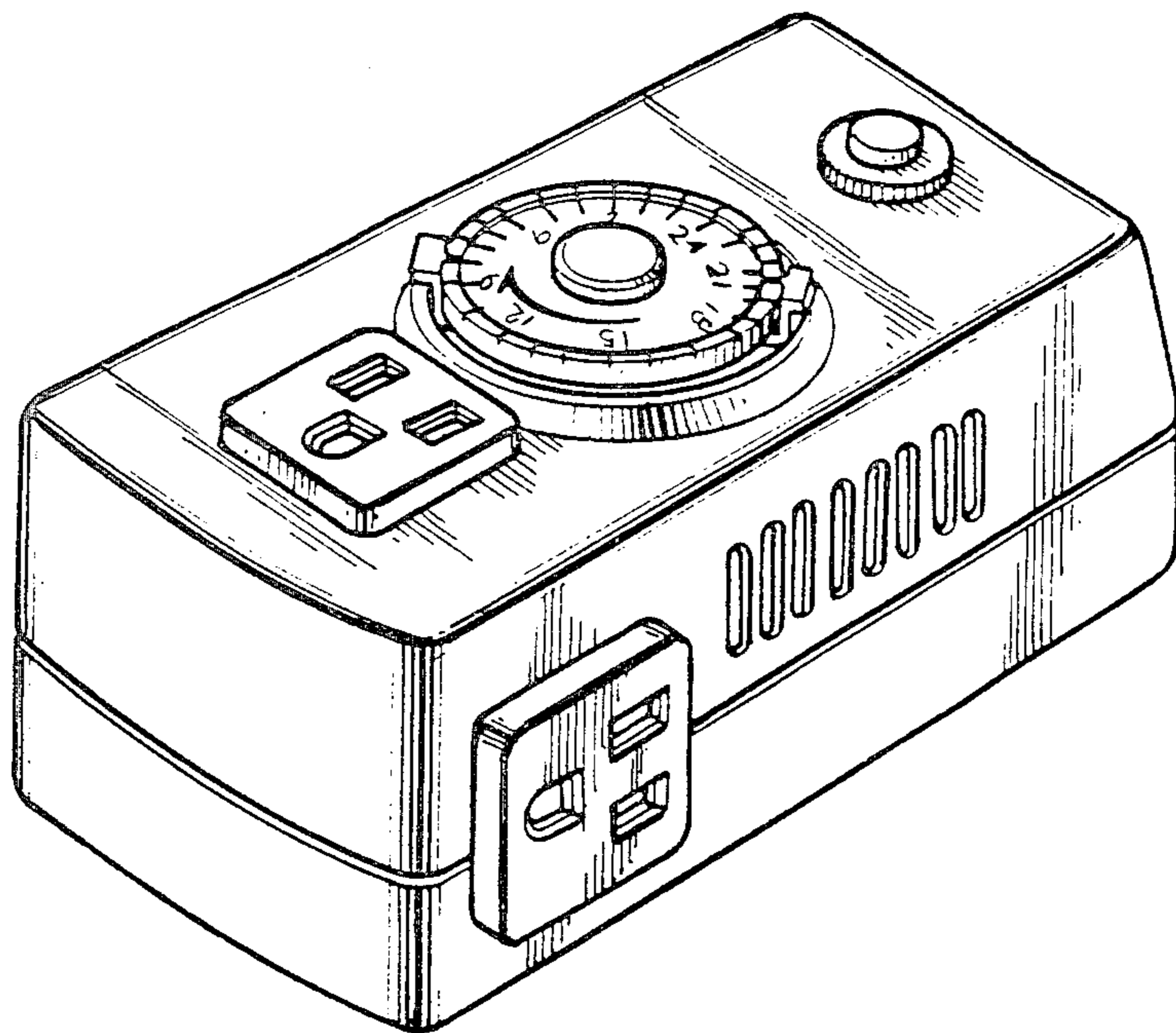


Fig. 7