

[54] **STOPWATCH**

[75] **Inventor: Raymond Chan, Kowloon, Hong Kong**

[73] **Assignee: Integrated Display Technology Limited, Kowloon, Hong Kong**

[**] **Term: 14 Years**

[21] **Appl. No.: 632,884**

[22] **Filed: Jul. 20, 1984**

[30] **Foreign Application Priority Data**

May 15, 1984 [GB] United Kingdom 1019659
[52] **U.S. Cl. D10/30**
[58] **Field of Search D10/30, 40;**
368/110-113

[56] **References Cited**

U.S. PATENT DOCUMENTS

D. 251,057 2/1979 Rudin D10/40
D. 275,082 8/1984 Goodin D10/40
D. 278,315 4/1985 Houlihan D10/38 X
4,451,158 5/1984 Selwyn 368/109 X

OTHER PUBLICATIONS

European Jeweler-5/75 p. 73-Stopwatch at top.
European Jeweler-9/83-p. 18-Stopwatch at right.

Primary Examiner-Nelson C. Holtje
Attorney, Agent, or Firm-Warren B. Kice

[57] **CLAIM**

The ornamental design for a stopwatch, as shown.

DESCRIPTION

FIG. 1 is a top and left-front perspective view of a stopwatch showing my new design;
FIG. 2 is a right side elevational view thereof;
FIG. 3 is a rear elevational view thereof;
FIG. 4 is a bottom plan view thereof.

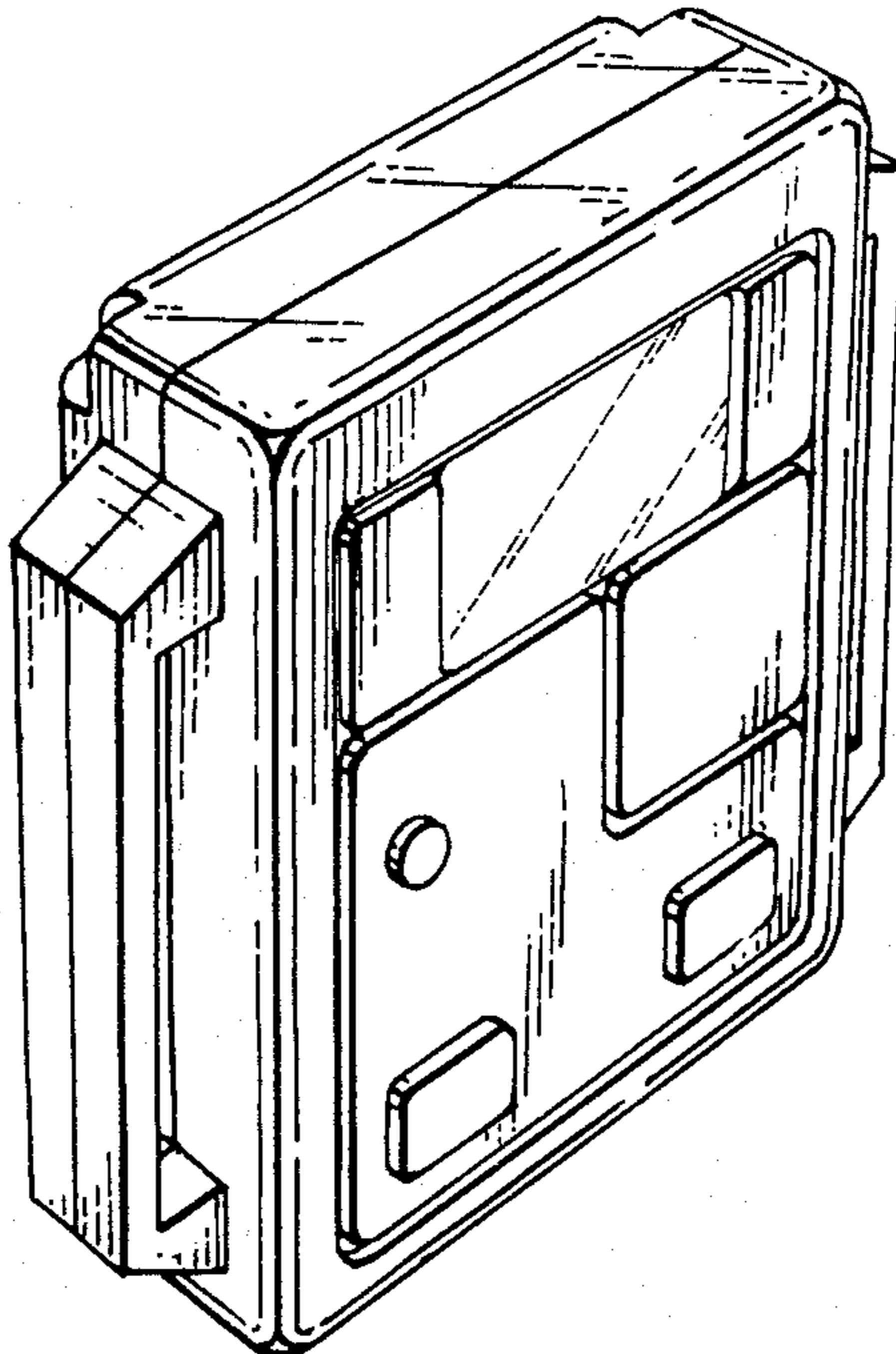


FIG. 1.

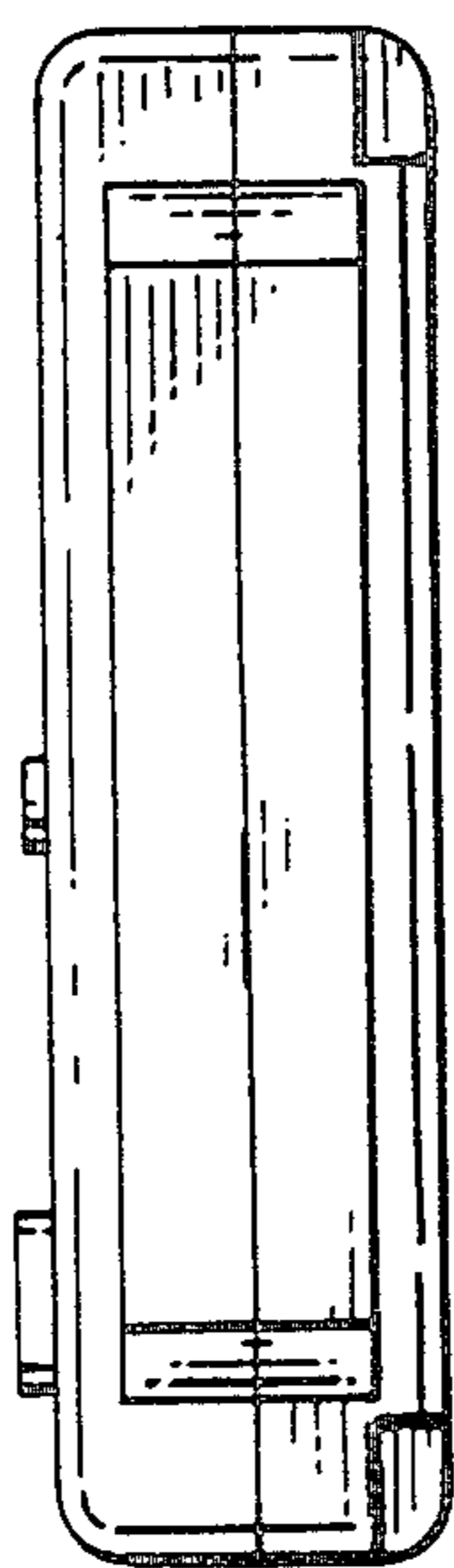
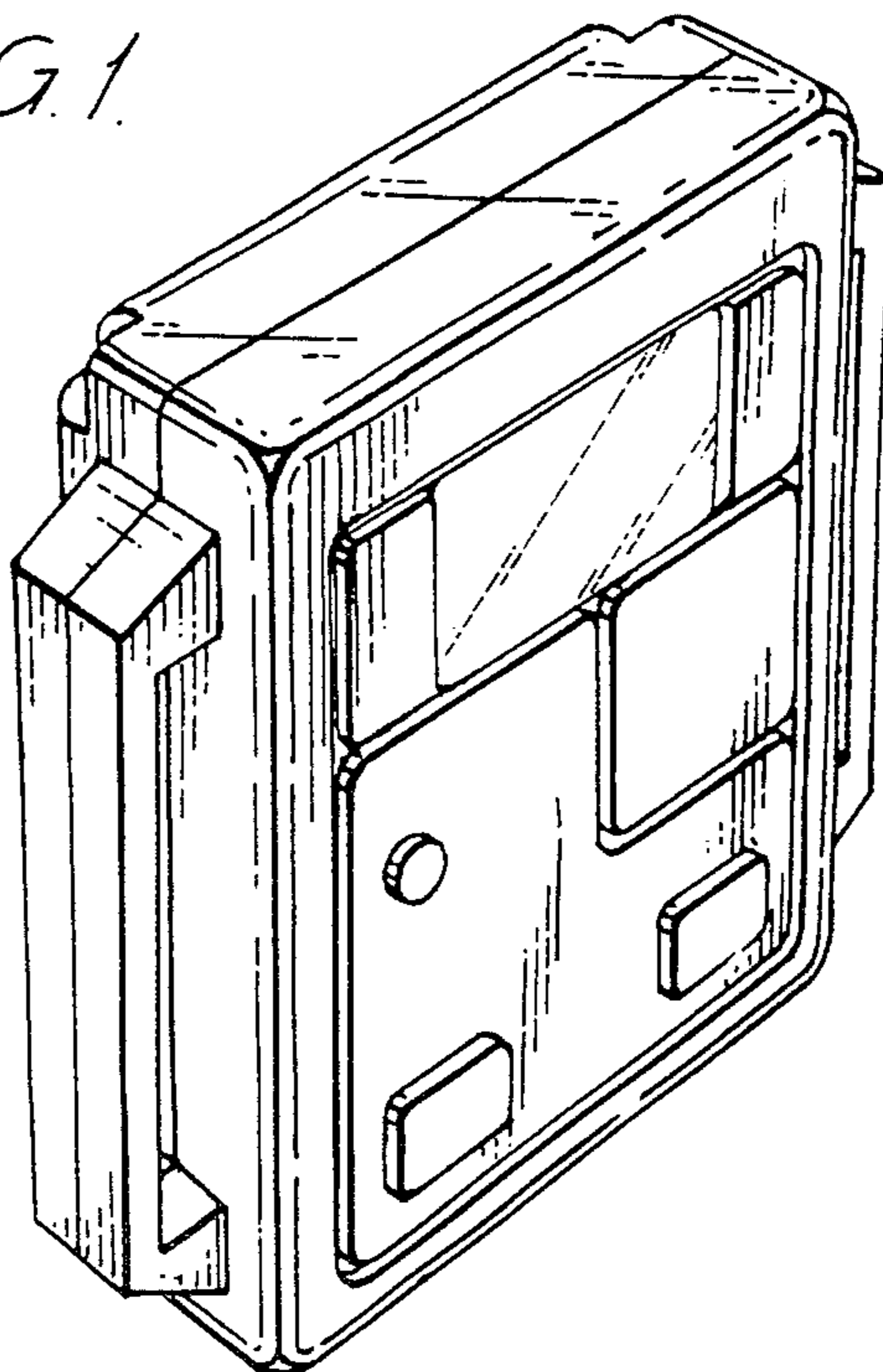


FIG. 2.

FIG. 3.

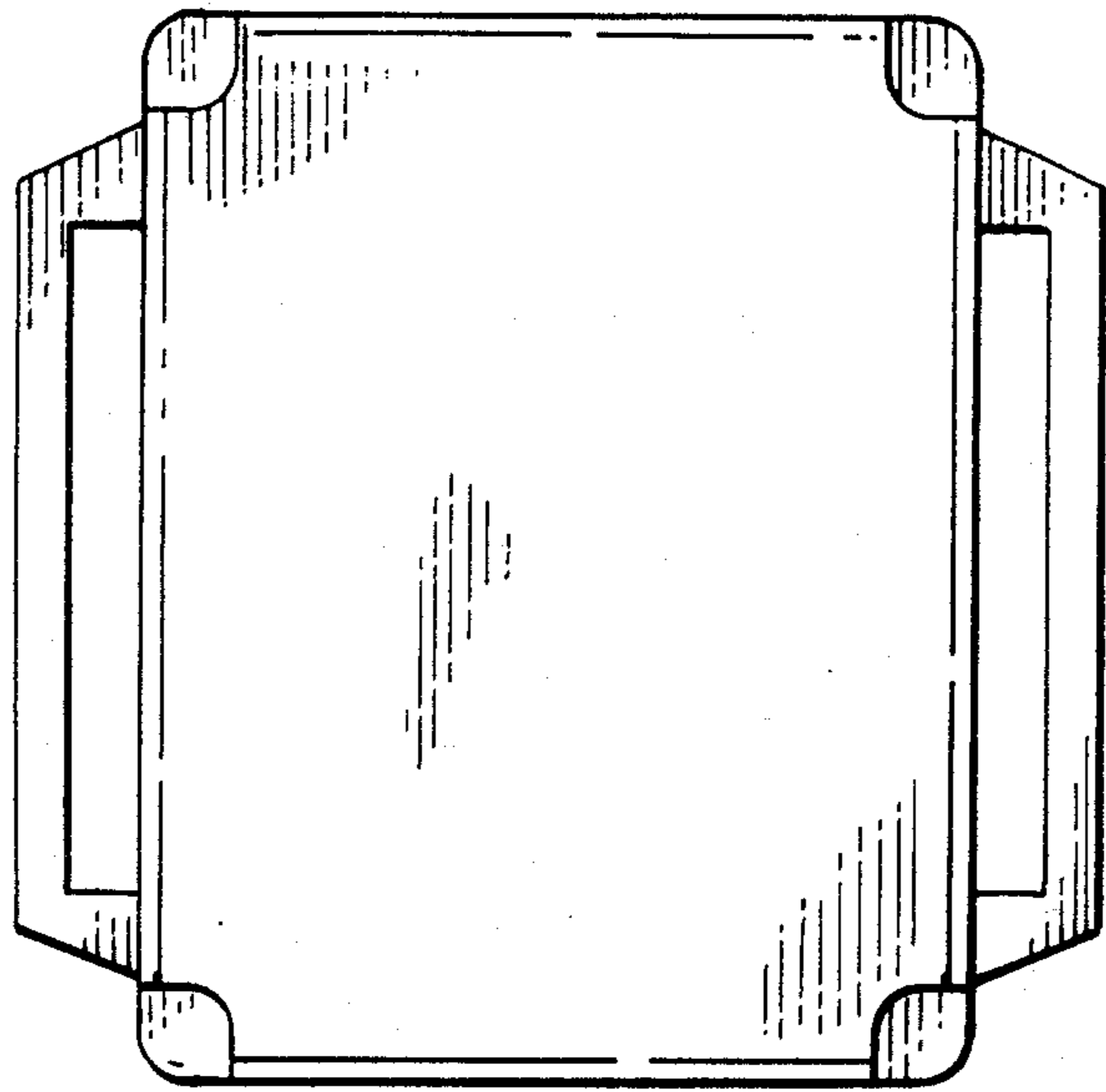


FIG. 4.

