

[54] BOTTLE OR SIMILAR ARTICLE

D. 281,578 12/1985 Reidel D9/375
4,570,799 2/1986 Mednis D9/375 X
4,573,595 3/1986 Mednis D9/375 X

[75] Inventor: Juris M. Mednis, Howell, N.J.

[73] Assignee: Universal Symetrics Corporation,
Howell, N.J.

Primary Examiner—Robert C. Spangler
Attorney, Agent, or Firm—Angelo Notaro

[**] Term: 14 Years

[57] CLAIM

[21] Appl. No.: 748,327

The ornamental design for a bottle or similar article, as shown.

[22] Filed: Jun. 24, 1985

[52] U.S. Cl. D9/375

[58] Field of Search D9/367, 372, 375, 376;
215/1 R, 1 C

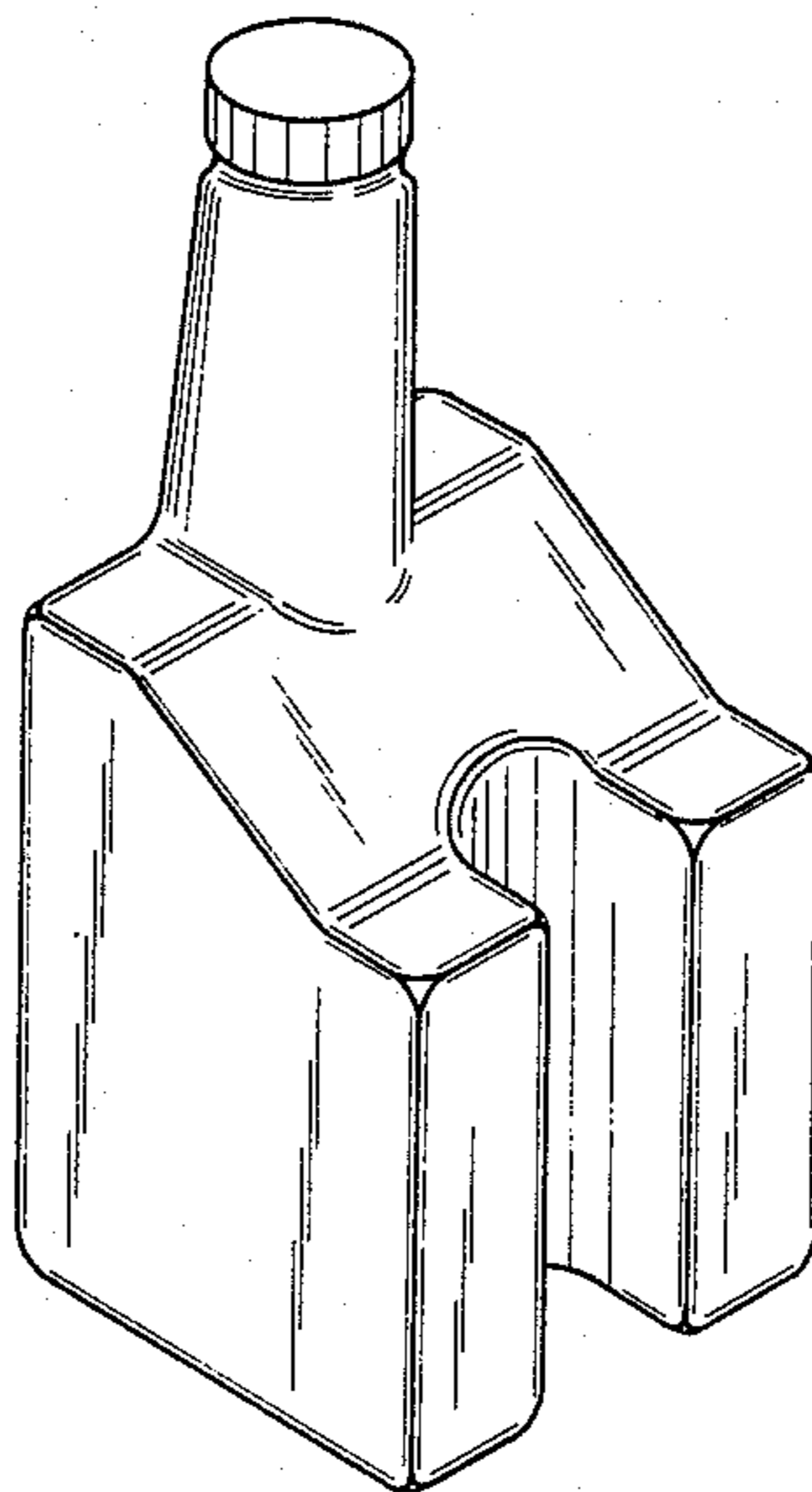
DESCRIPTION

FIG. 1 is a front elevation view of a bottle or similar article embodying my new design;
FIG. 2 is a top view thereof;
FIG. 3 is a rear elevation view thereof;
FIG. 4 is a bottom view thereof;
FIG. 5 is a side elevation view thereof, the opposite side thereof being a mirror image; and
FIG. 6 is a front perspective view thereof.

[56] References Cited

U.S. PATENT DOCUMENTS

D. 259,766 7/1981 Hartung D9/375 X
D. 274,699 7/1984 Epperson D9/376 X



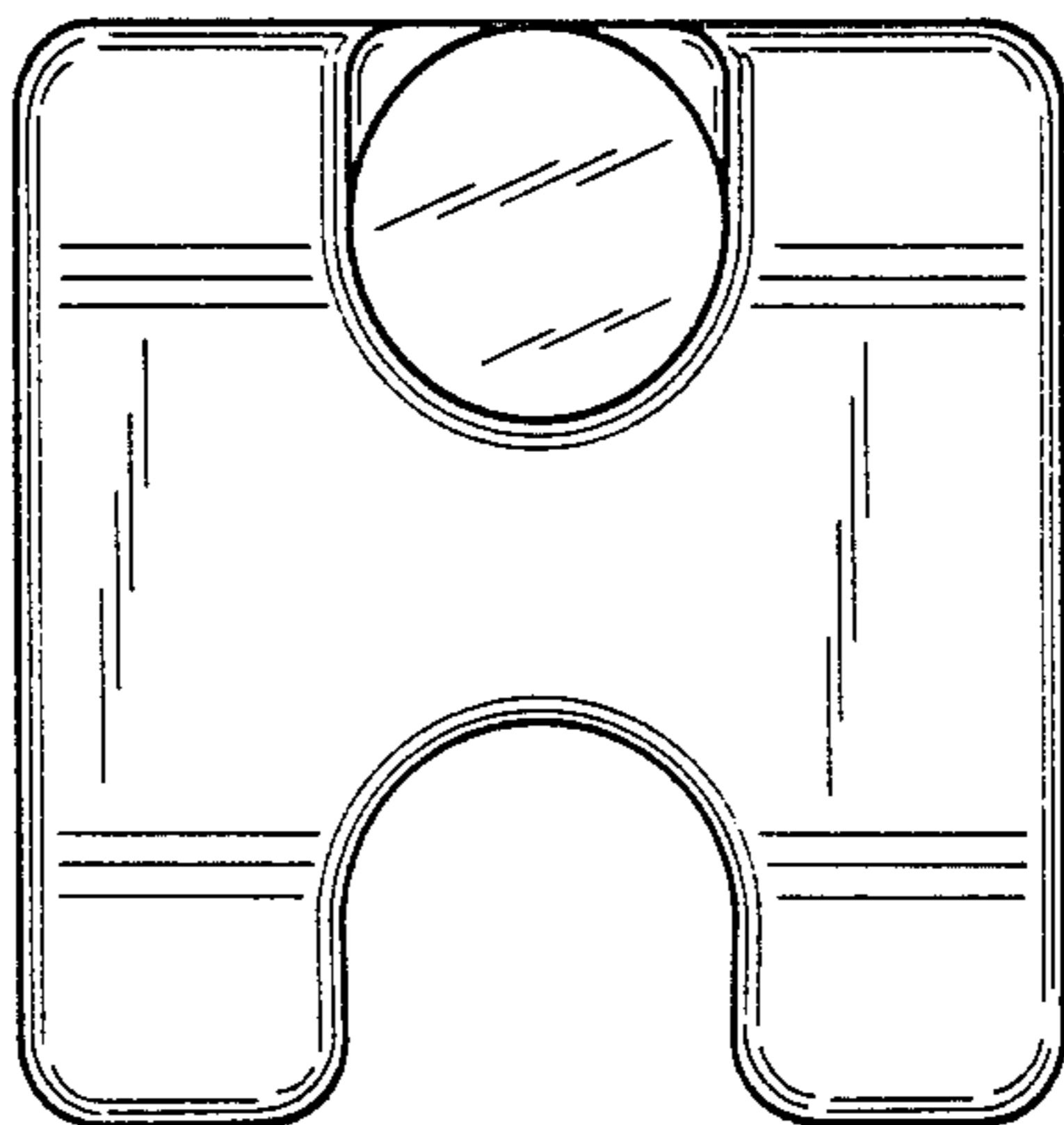


FIG. 2

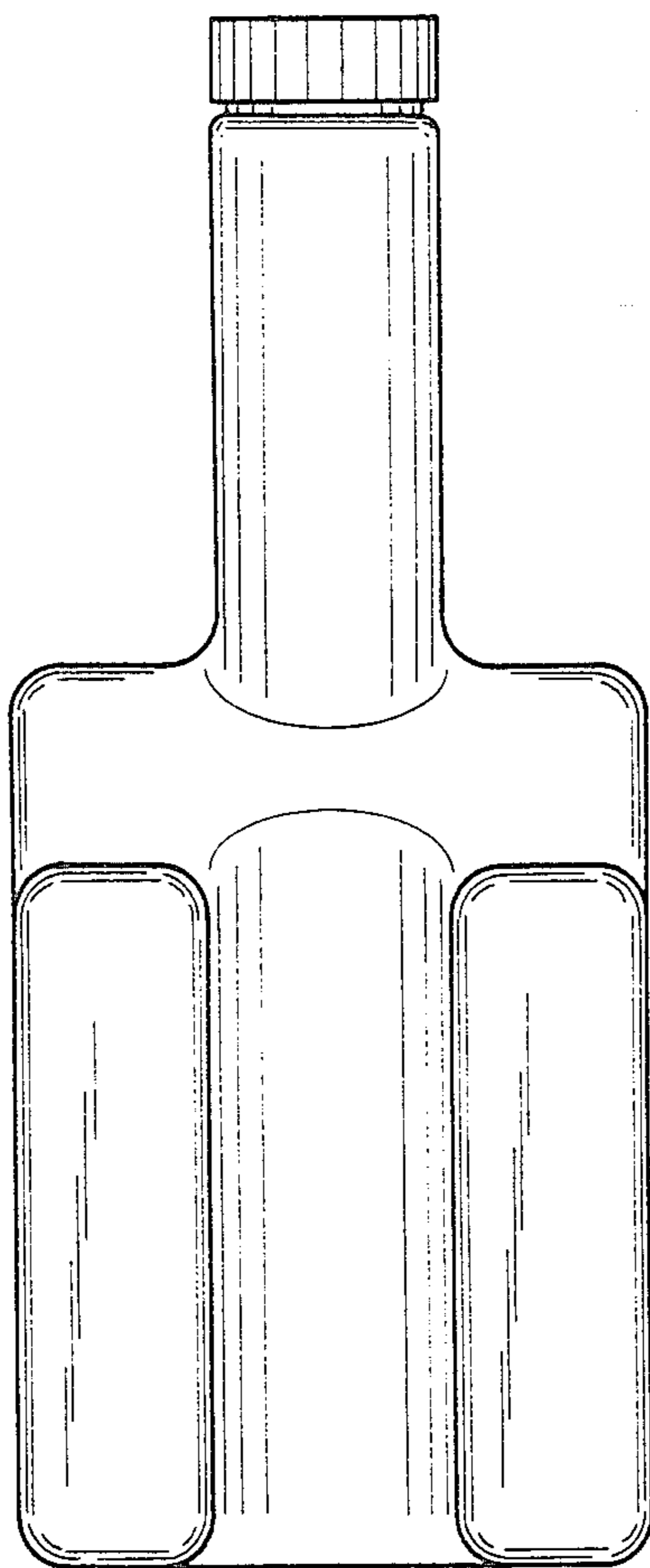


FIG. 1

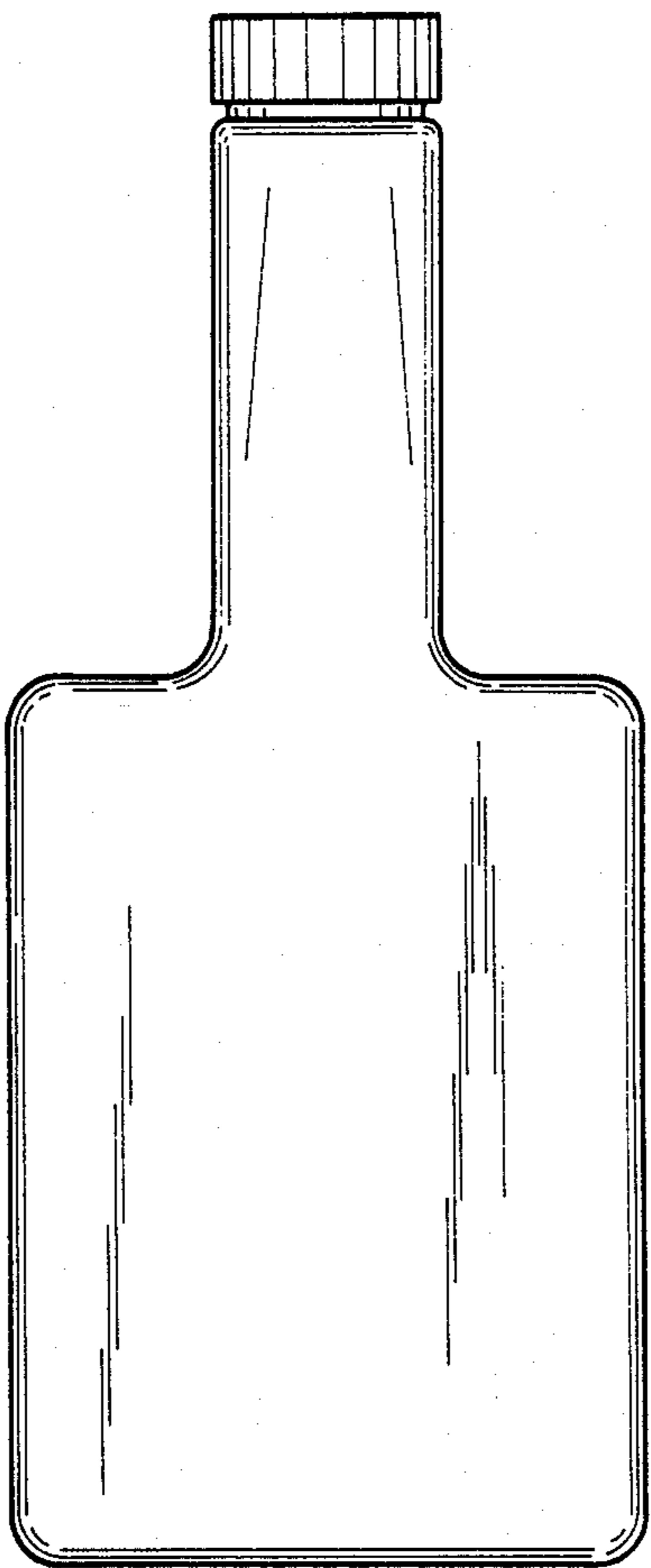


FIG. 3

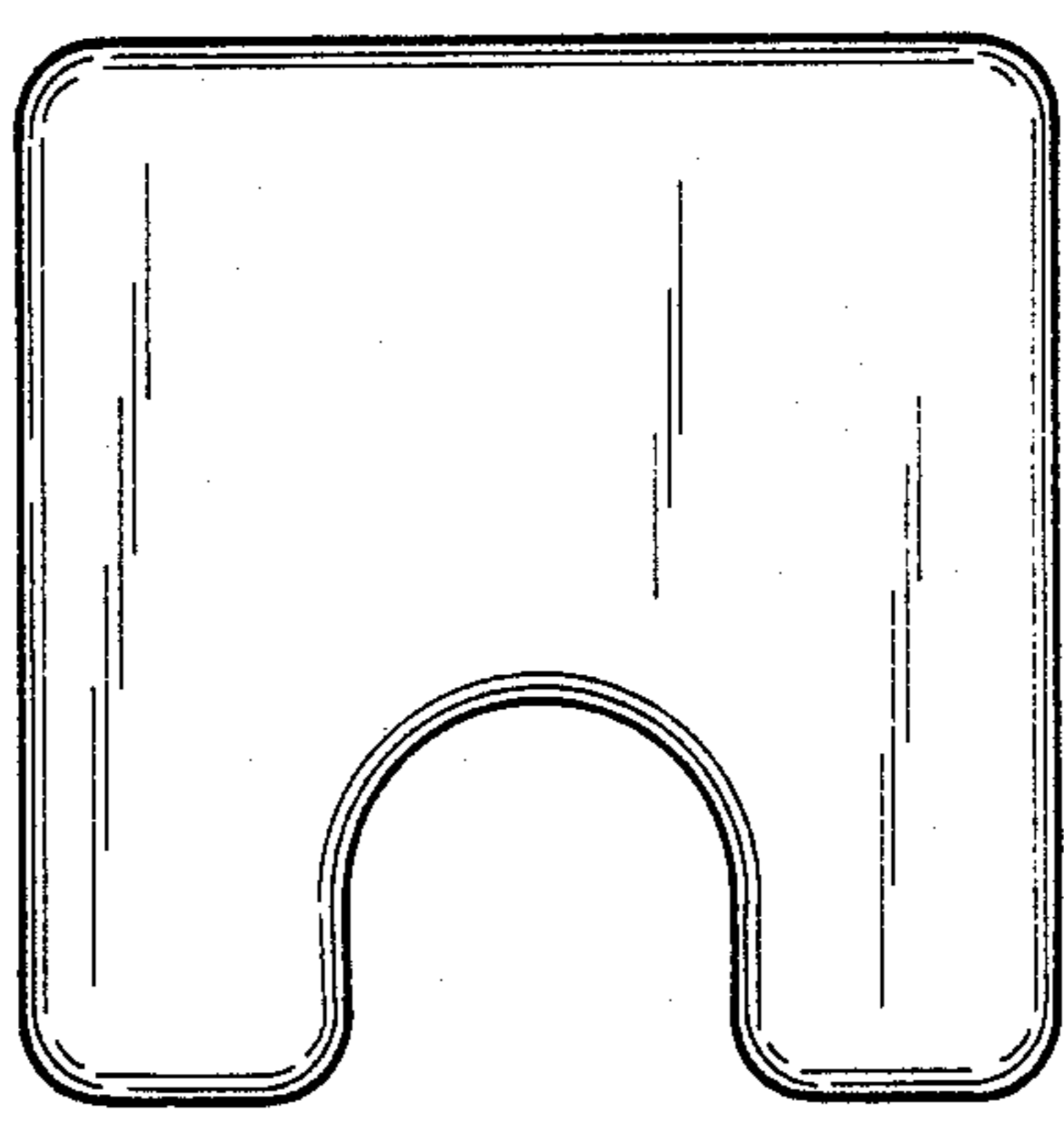


FIG. 4

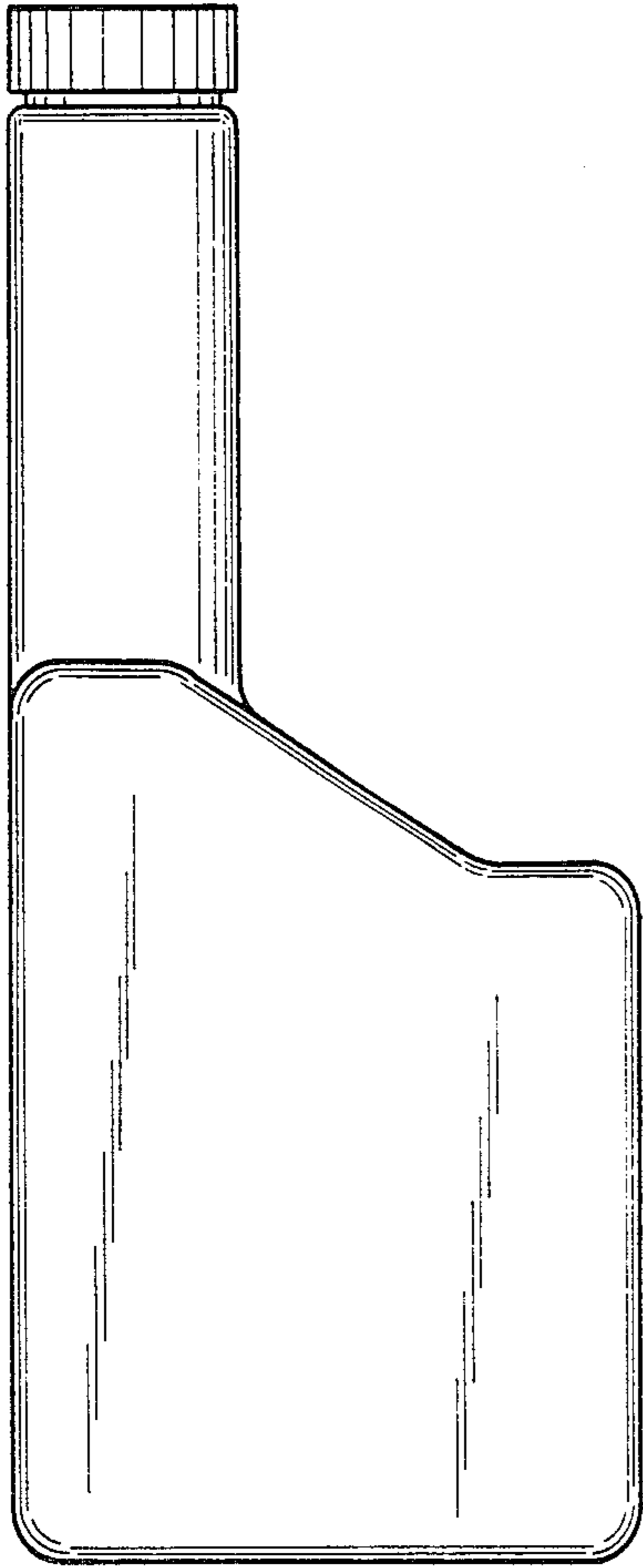


FIG. 5

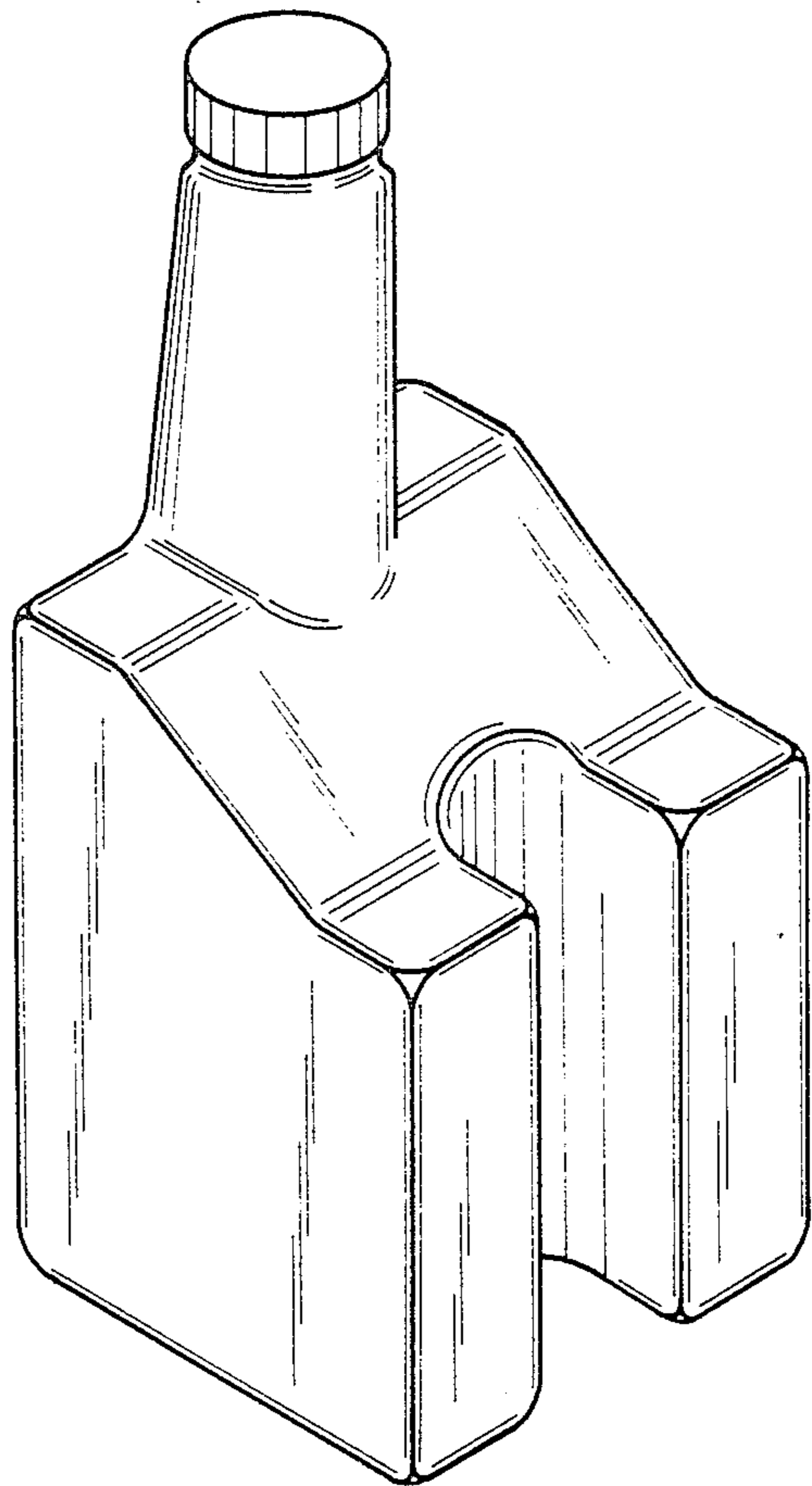


FIG. 6