

[54] BOTTLE OR SIMILAR ARTICLE

[75] Inventor: Juris M. Mednis, Howell, N.J.

[73] Assignee: Universal Symetrics Corporation, Howell, N.J.

[**] Term: 14 Years

[21] Appl. No.: 729,423

[22] Filed: May 1, 1985

[52] U.S. Cl. D9/375

[58] Field of Search D9/367, 371, 375, 376; 215/1 R, 1 C

[56] References Cited

U.S. PATENT DOCUMENTS

D. 259,766	7/1981	Hartung	D9/375 X
D. 274,699	7/1984	Epperson	D9/376 X
D. 281,578	12/1985	Reidel	D9/375
4,570,799	2/1986	Mednis	D9/375 X
4,573,595	3/1986	Mednis	D9/375 X

Primary Examiner—Robert C. Spangler
Attorney, Agent, or Firm—Angelo Notaro

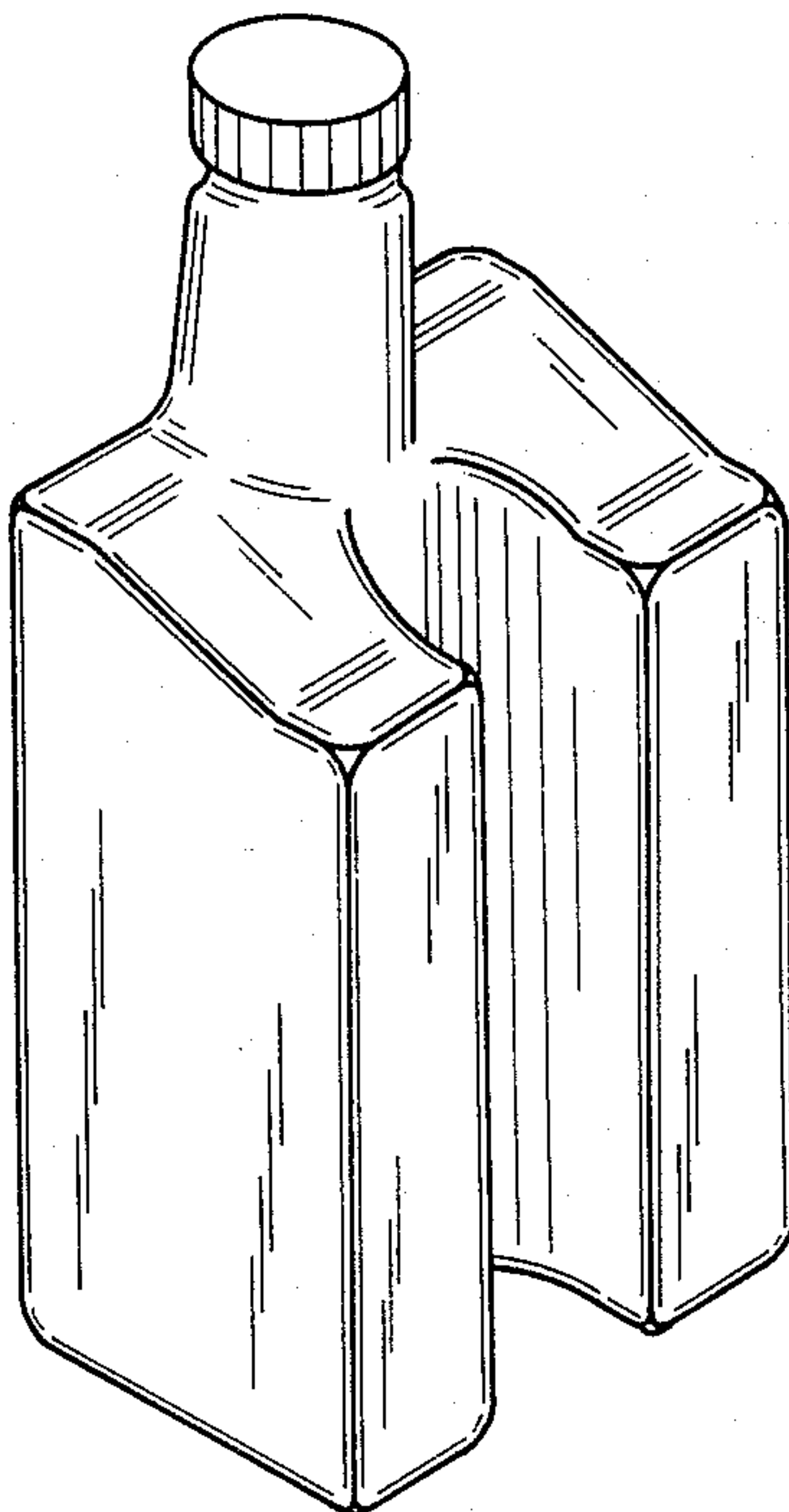
[57] CLAIM

The ornamental design for a bottle or similar article, as shown and described.

DESCRIPTION

FIG. 1 is a front elevation view of a bottle or similar article embodying my new design;
FIG. 2 is a top view thereof;
FIG. 3 is a rear elevation view thereof;
FIG. 4 is a bottom view thereof;

FIG. 5 is a side elevation view thereof, the opposite side thereof being a mirror image;
FIG. 6 is a front perspective view thereof;
FIG. 7 is a front elevation view of a container embodying a second embodiment of my new design;
FIG. 8 is a top view of the embodiment of FIG. 7;
FIG. 9 is a rear elevation view of the embodiment of FIG. 7;
FIG. 10 is a bottom view of the embodiment of FIG. 7;
FIG. 11 is a side elevation view of the embodiment of FIG. 7, the opposite side thereof being a mirror image;
FIG. 12 is a front perspective view of the embodiment of FIG. 7;
FIG. 13 is a front elevation view of a container embodying a third embodiment of my new design;
FIG. 14 is a top view of the embodiment of FIG. 13;
FIG. 15 is a rear elevation view of the embodiment of FIG. 13;
FIG. 16 is a bottom view of the embodiment of FIG. 13;
FIG. 17 is a side elevation view of the embodiment of FIG. 13, the opposite side thereof being a mirror image;
FIG. 18 is a front perspective view of the embodiment of FIG. 13;
FIG. 19 is a front elevation view of a container embodying a fourth embodiment of my new design;
FIG. 20 is a top view of the embodiment of FIG. 19;
FIG. 21 is a rear elevation view of the embodiment of FIG. 19;
FIG. 22 is a bottom view of the embodiment of FIG. 19;
FIG. 23 is a side elevation top view of the embodiment of FIG. 19, the opposite side thereof being a mirror image; and
FIG. 24 is a front perspective view of the embodiment of FIG. 19.



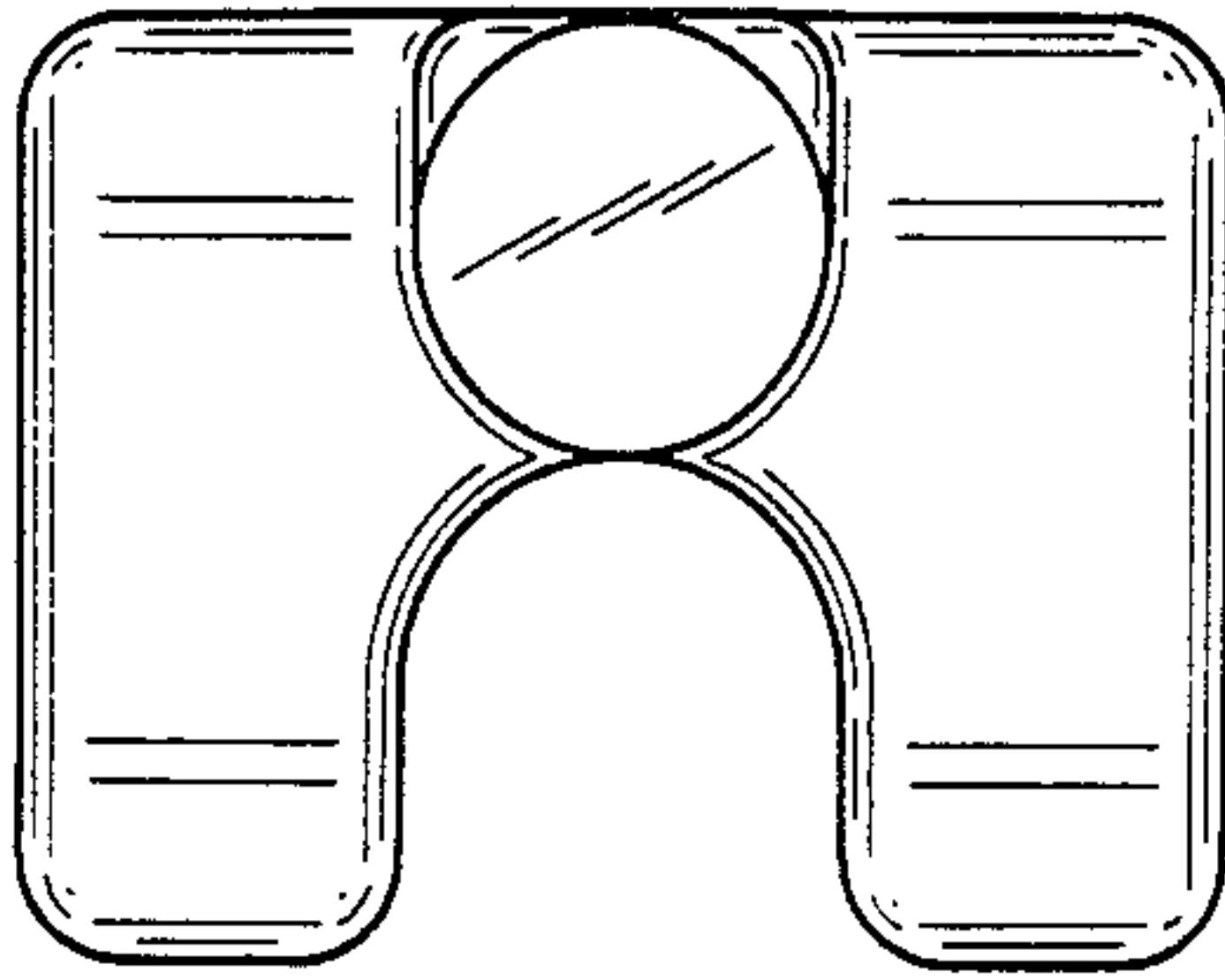


FIG. 2

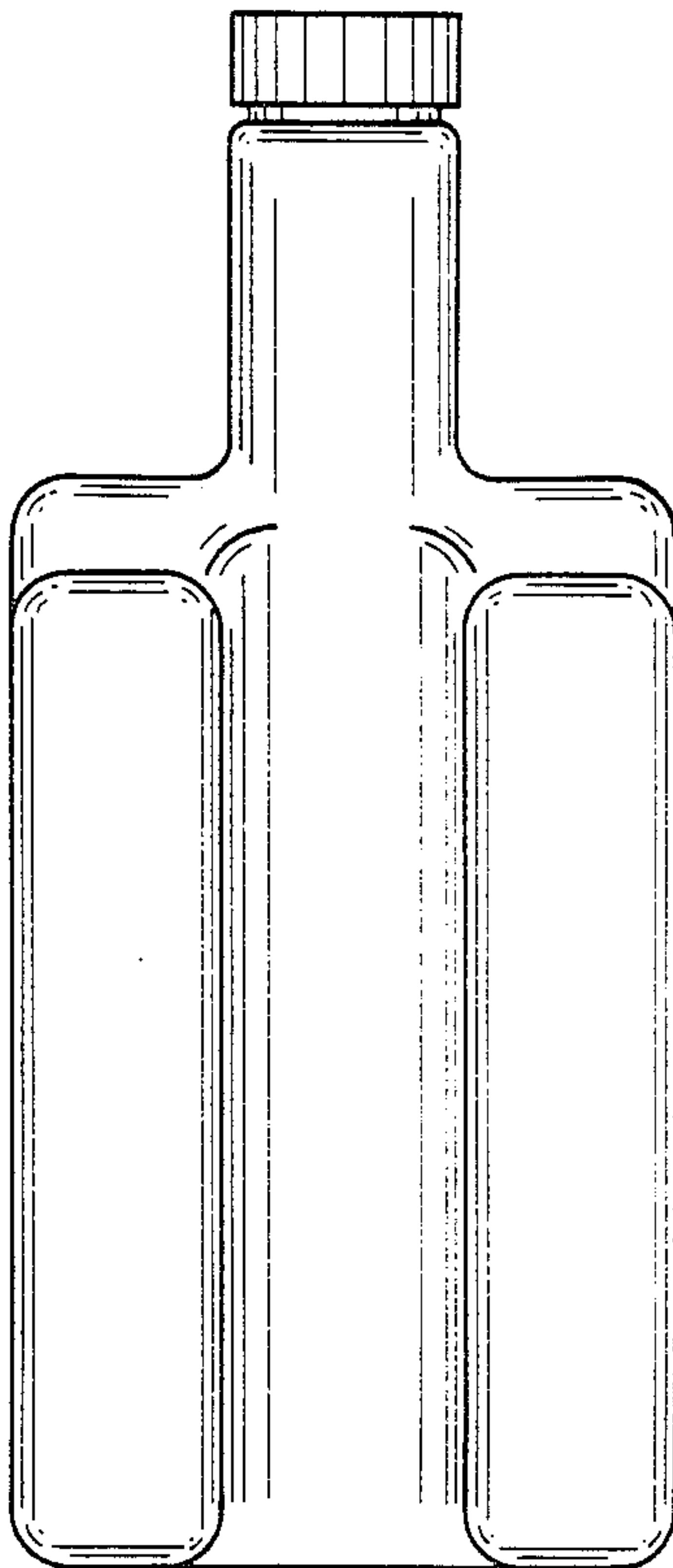


FIG. 1

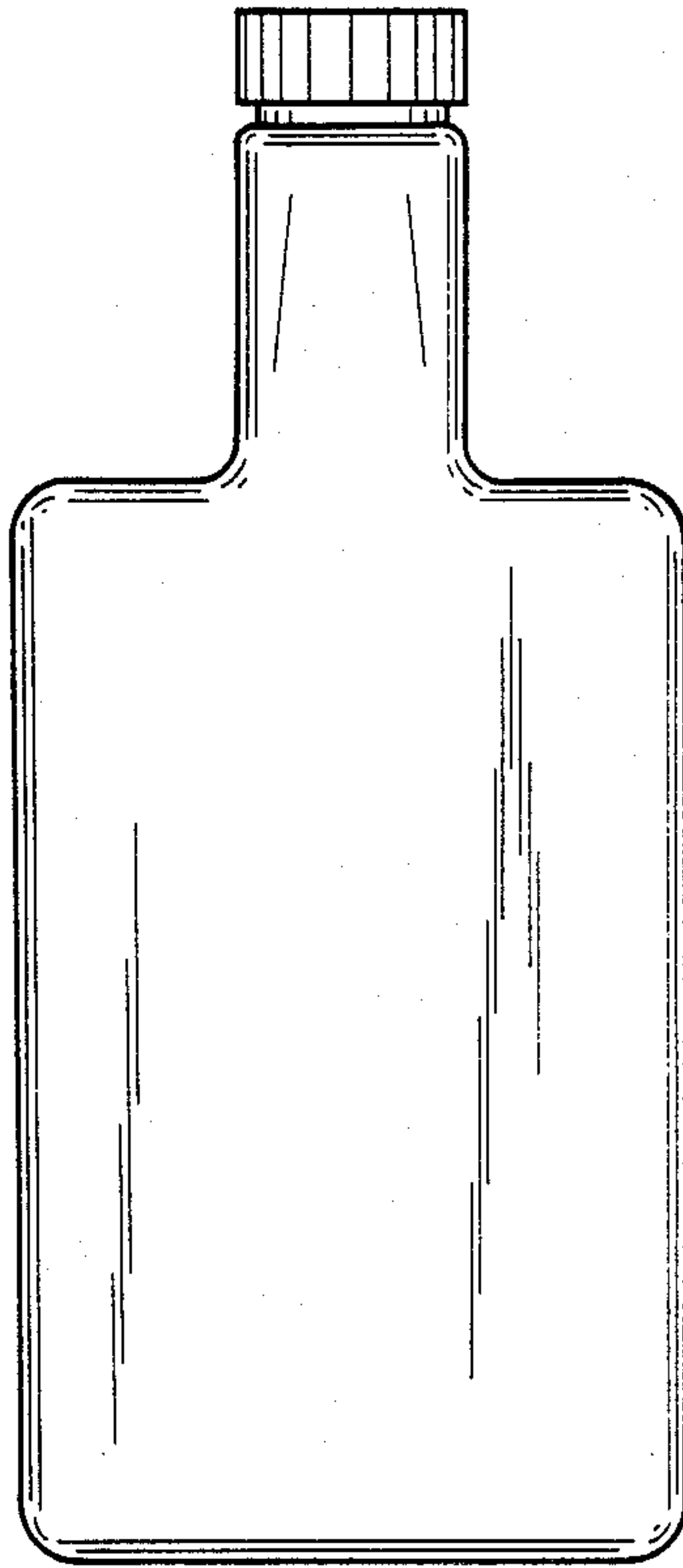


FIG. 3

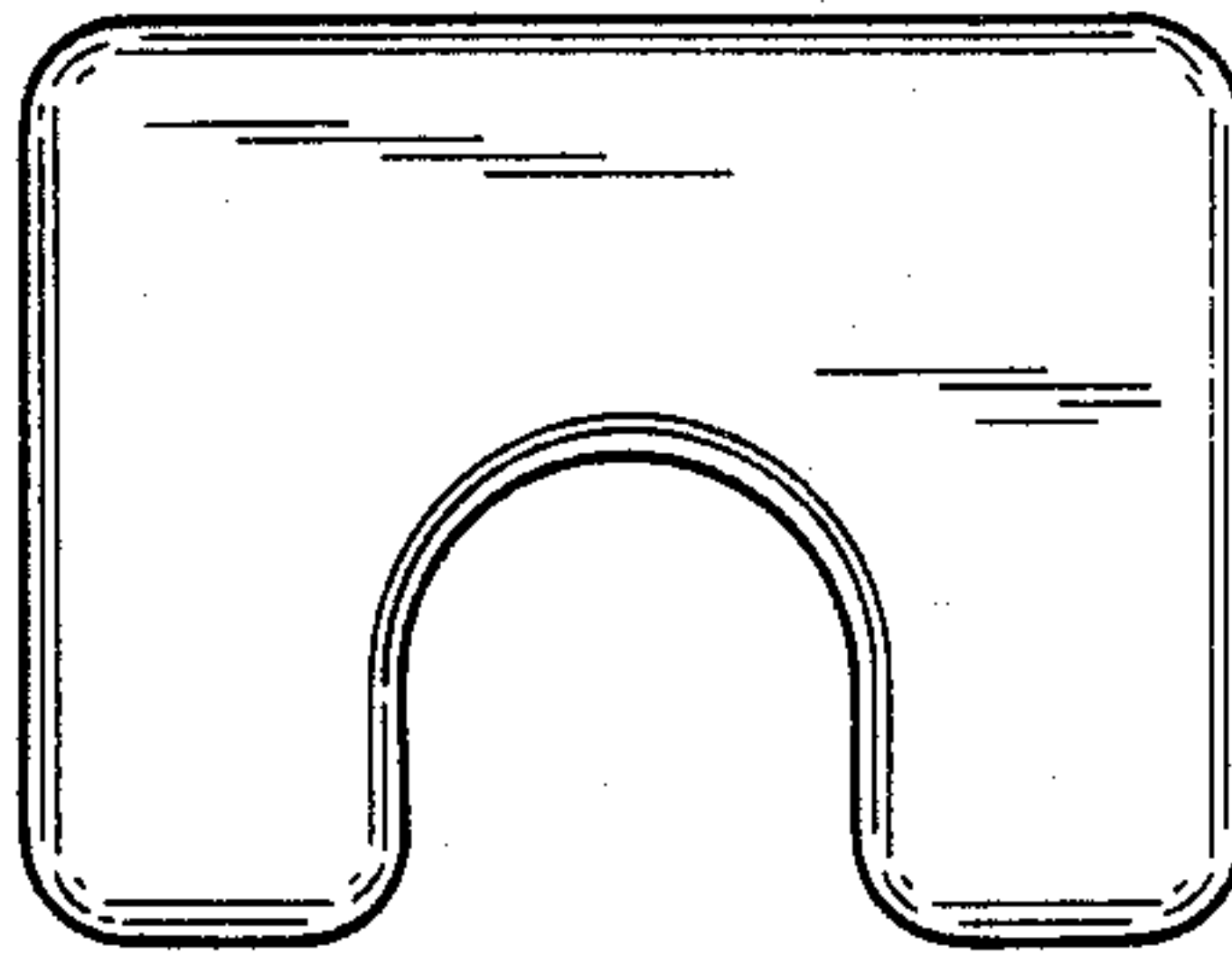


FIG. 4

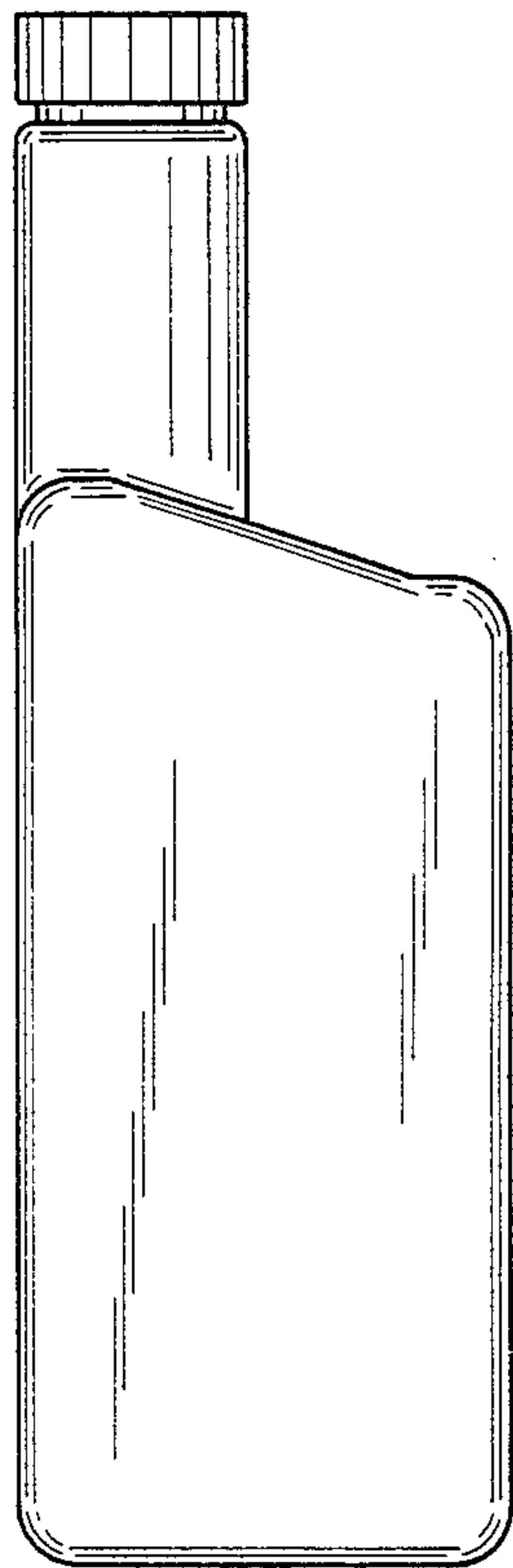


FIG. 5

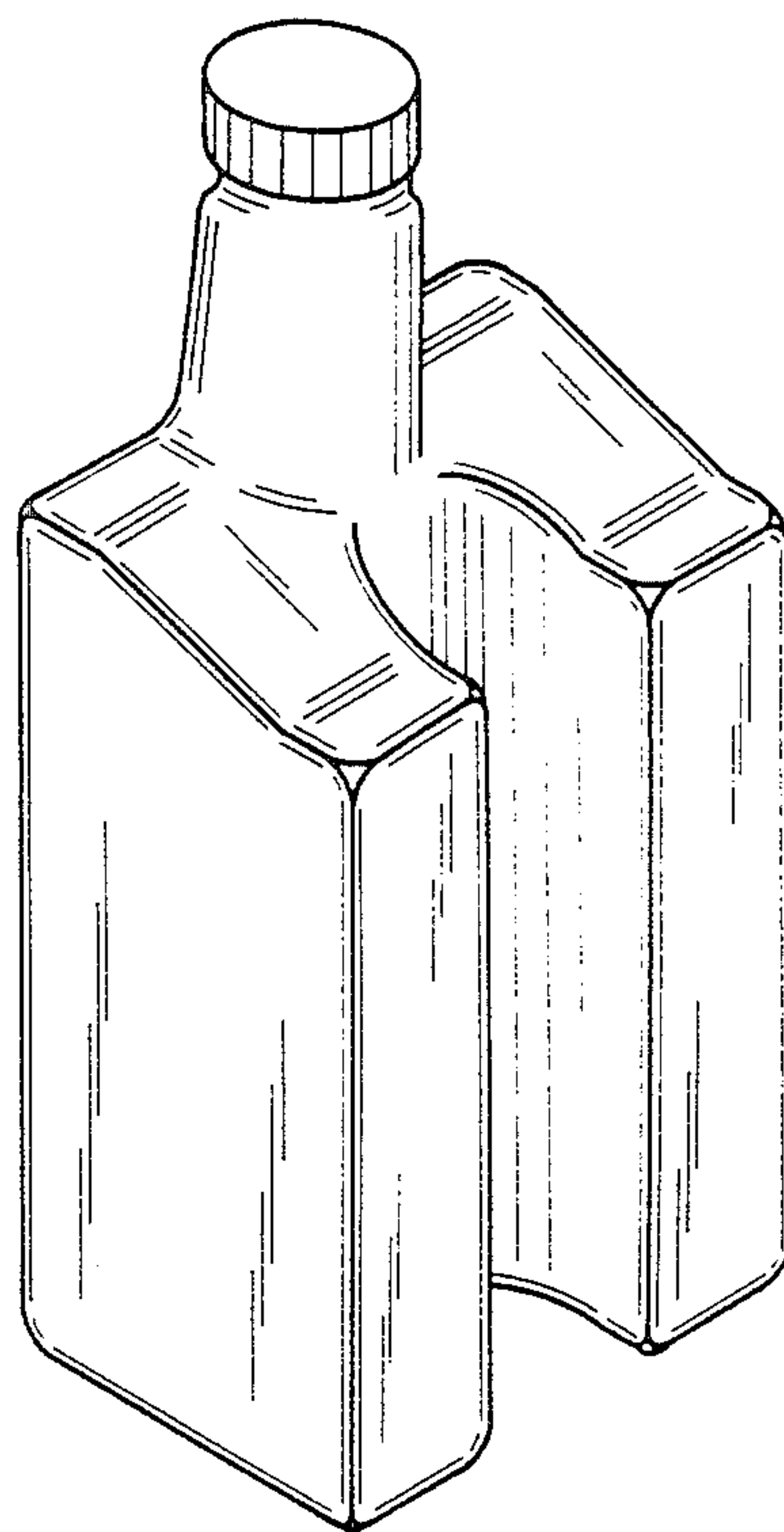


FIG. 6

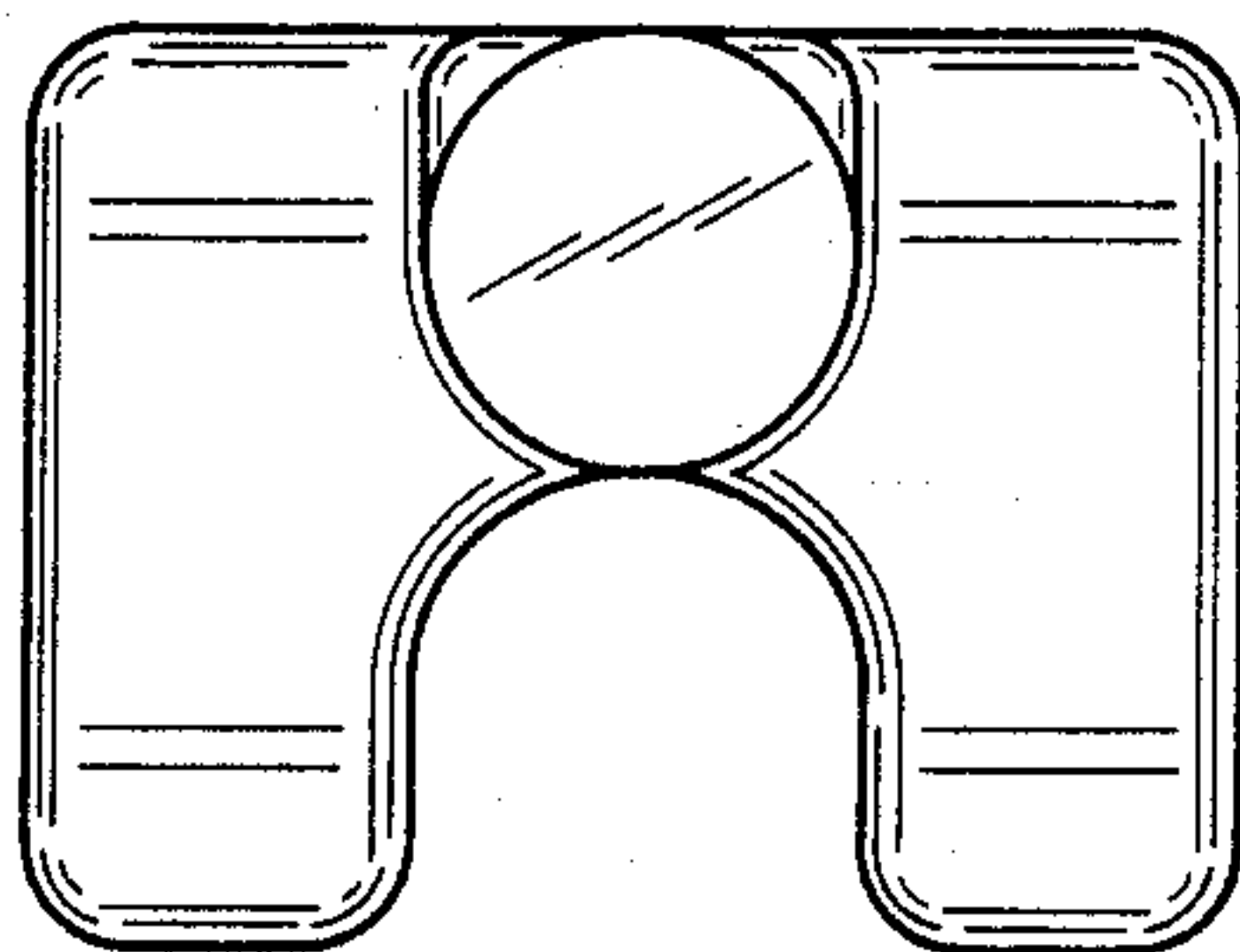


FIG. 8

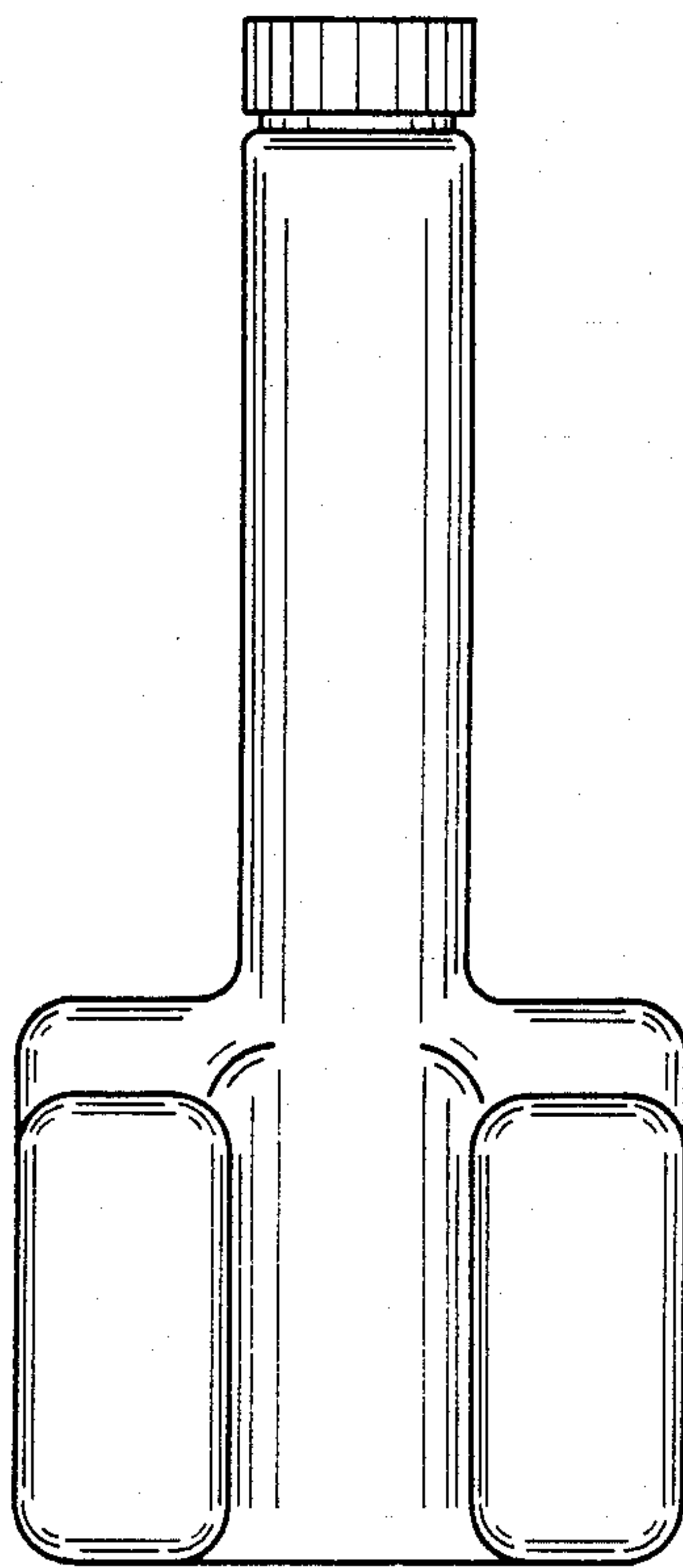


FIG. 7

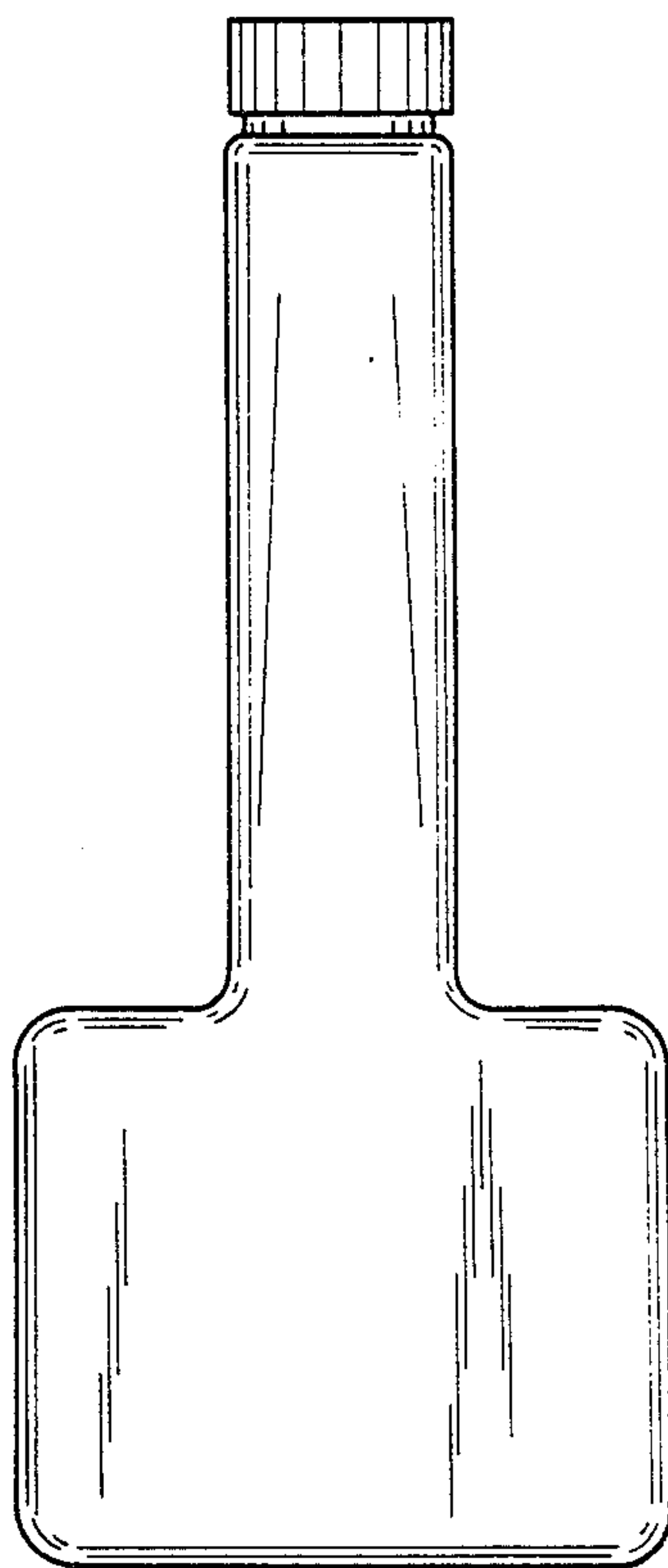


FIG. 9

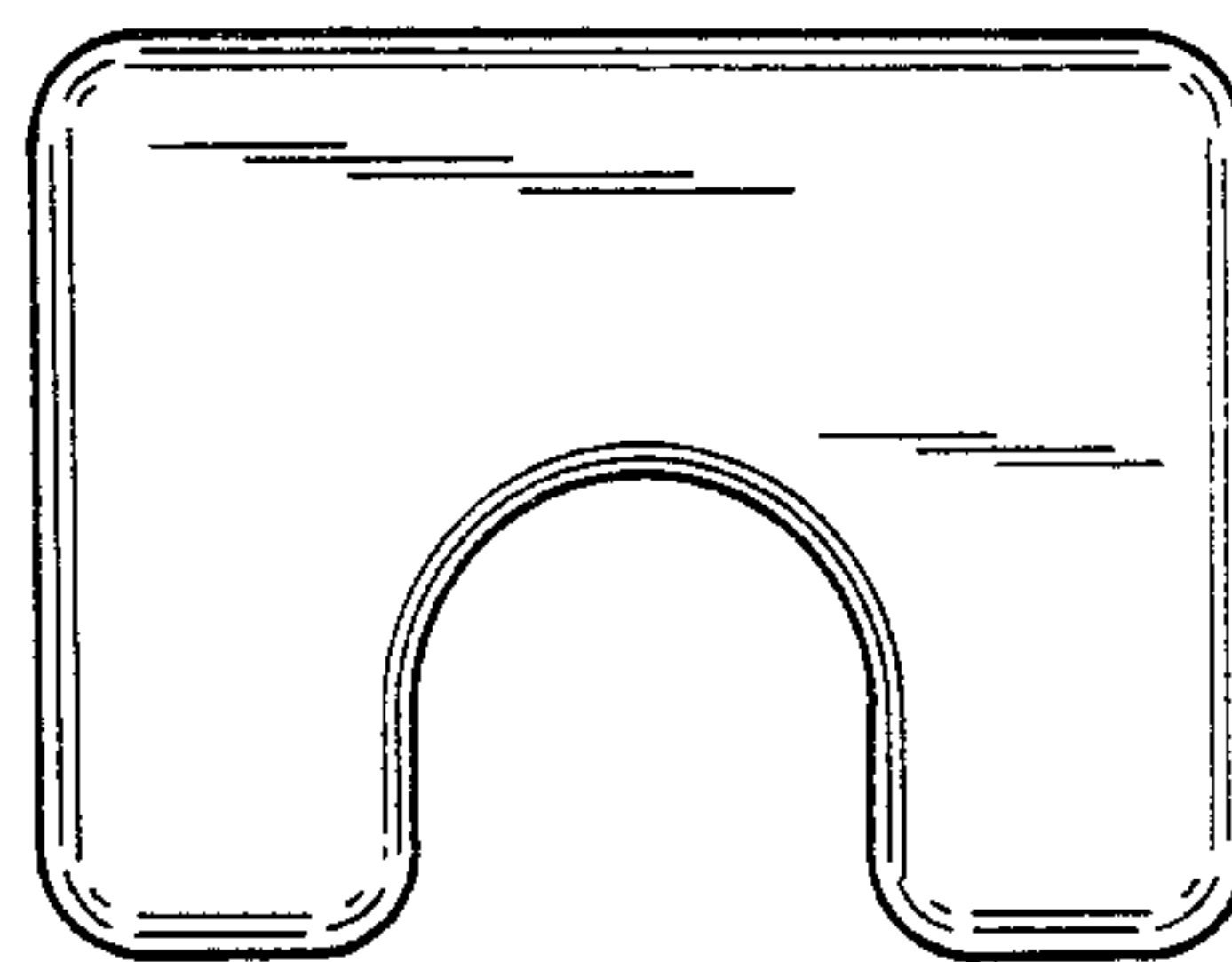


FIG. 10

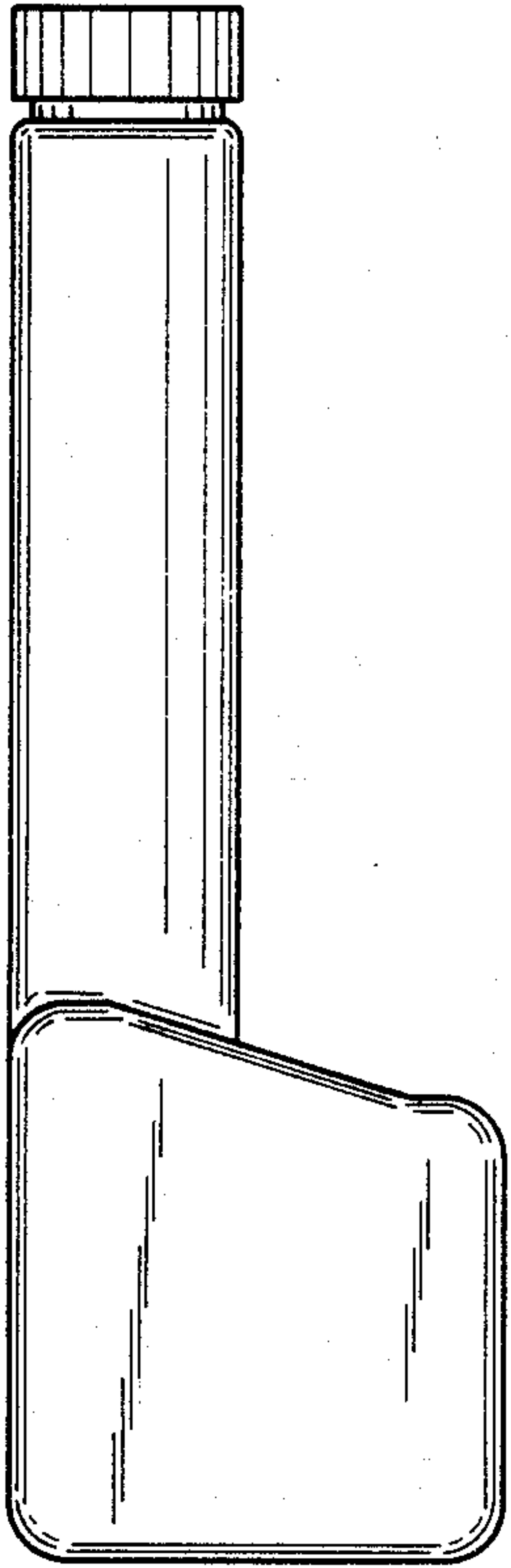


FIG. 11

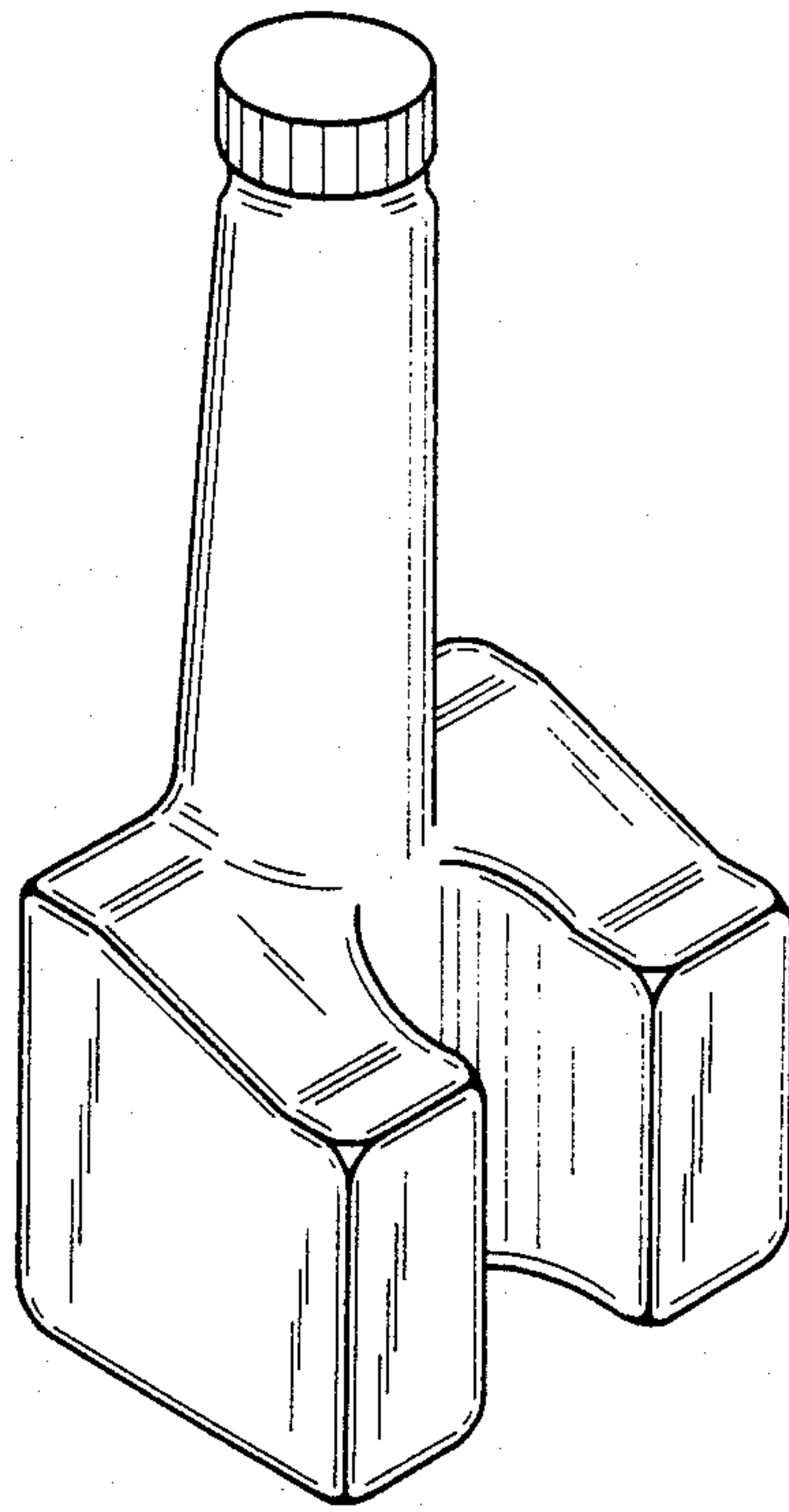


FIG. 12

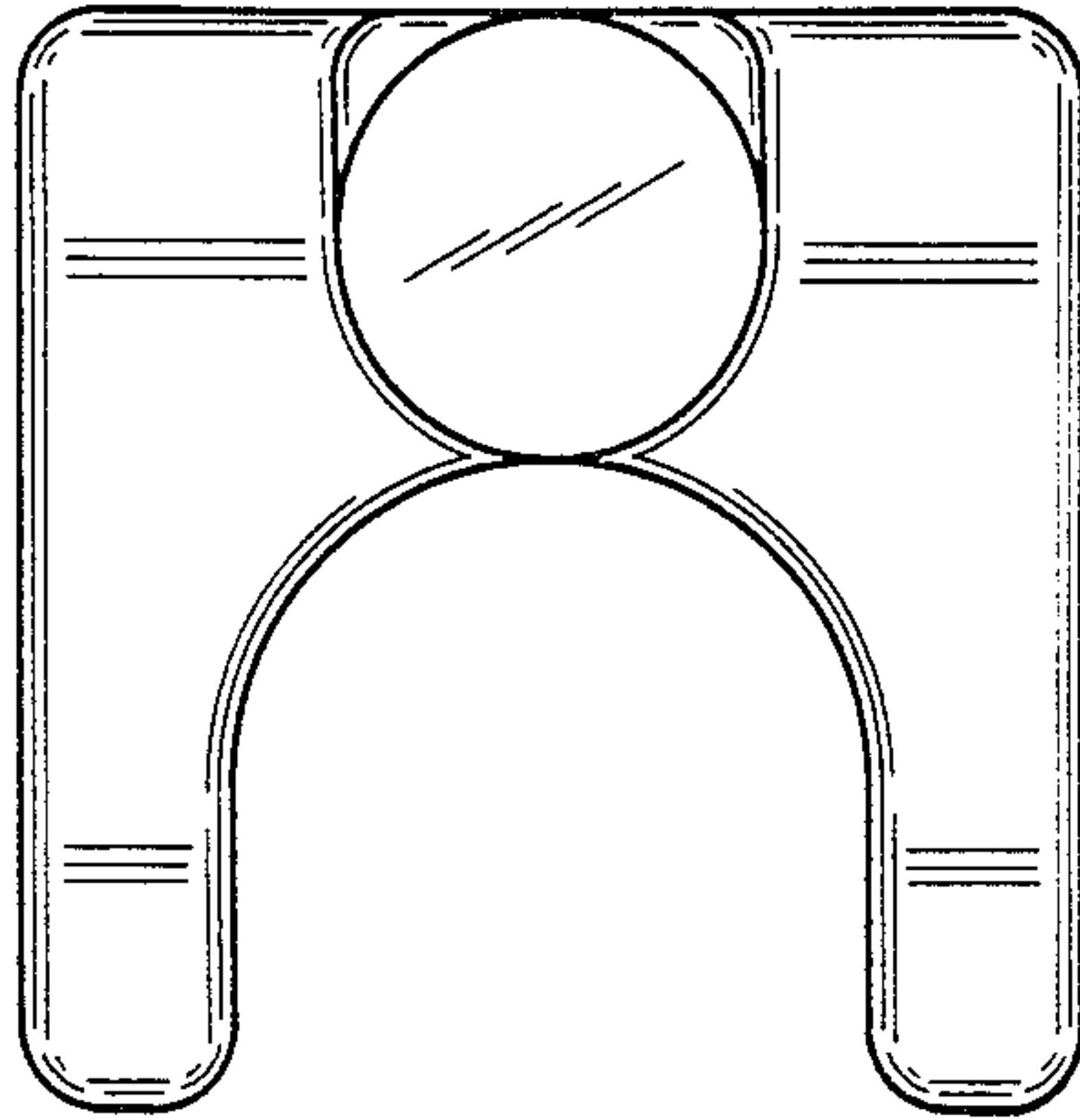


FIG. 14

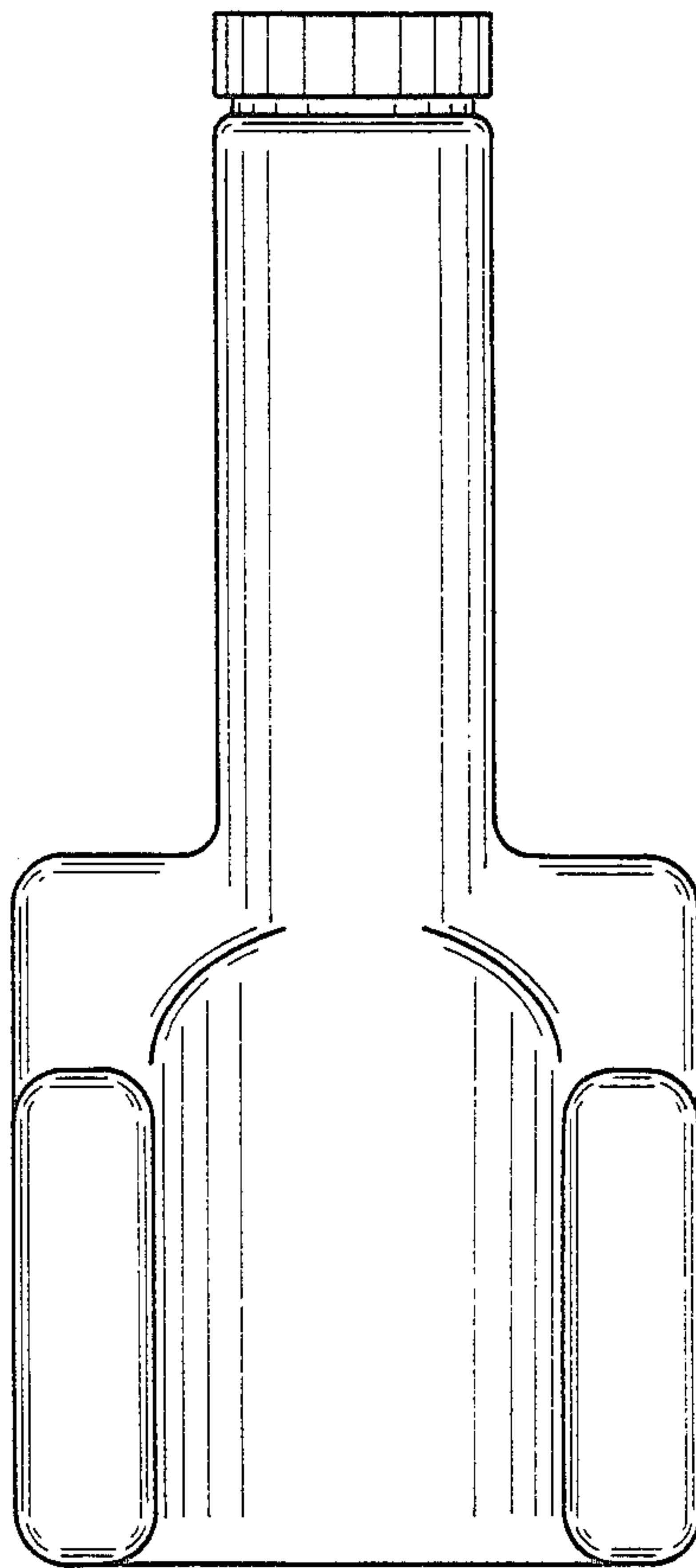


FIG. 13

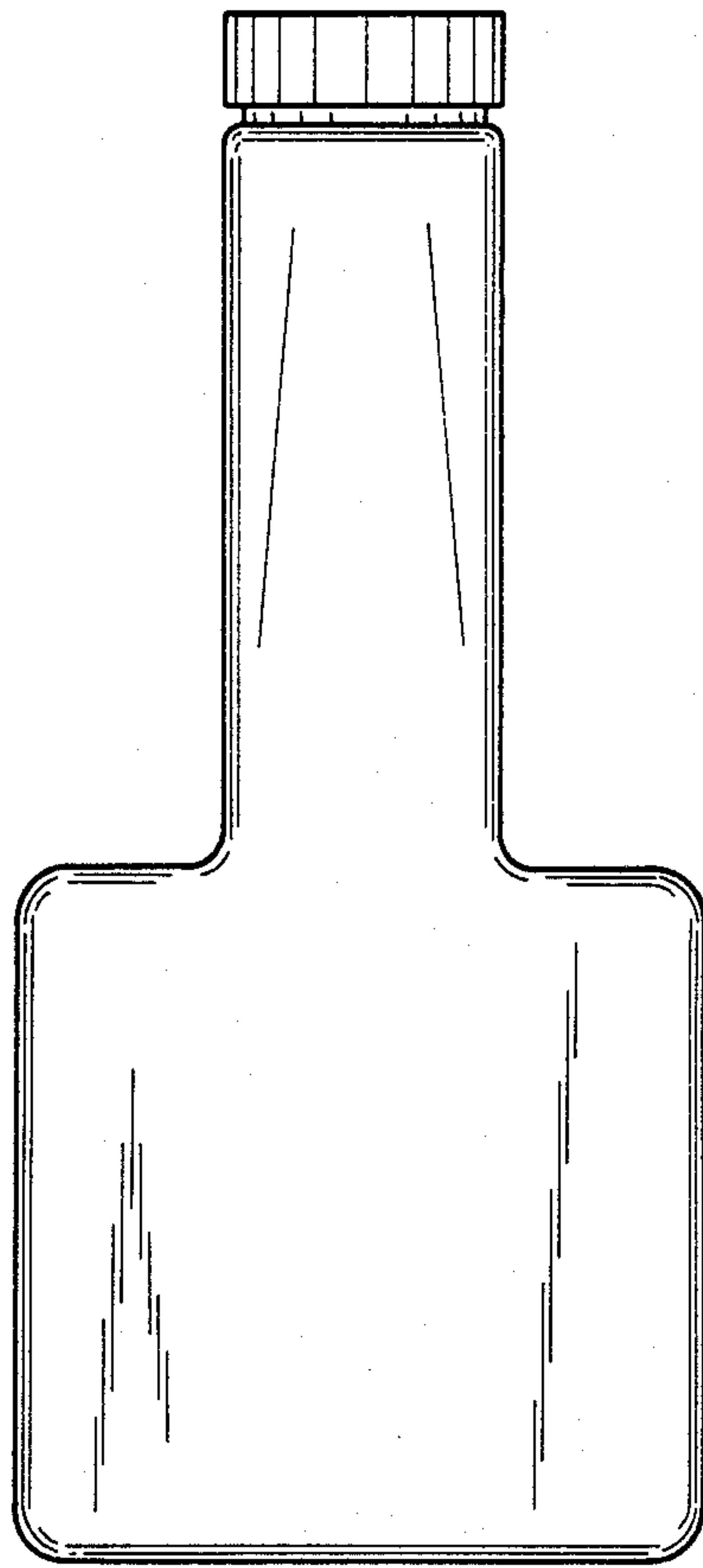


FIG. 15

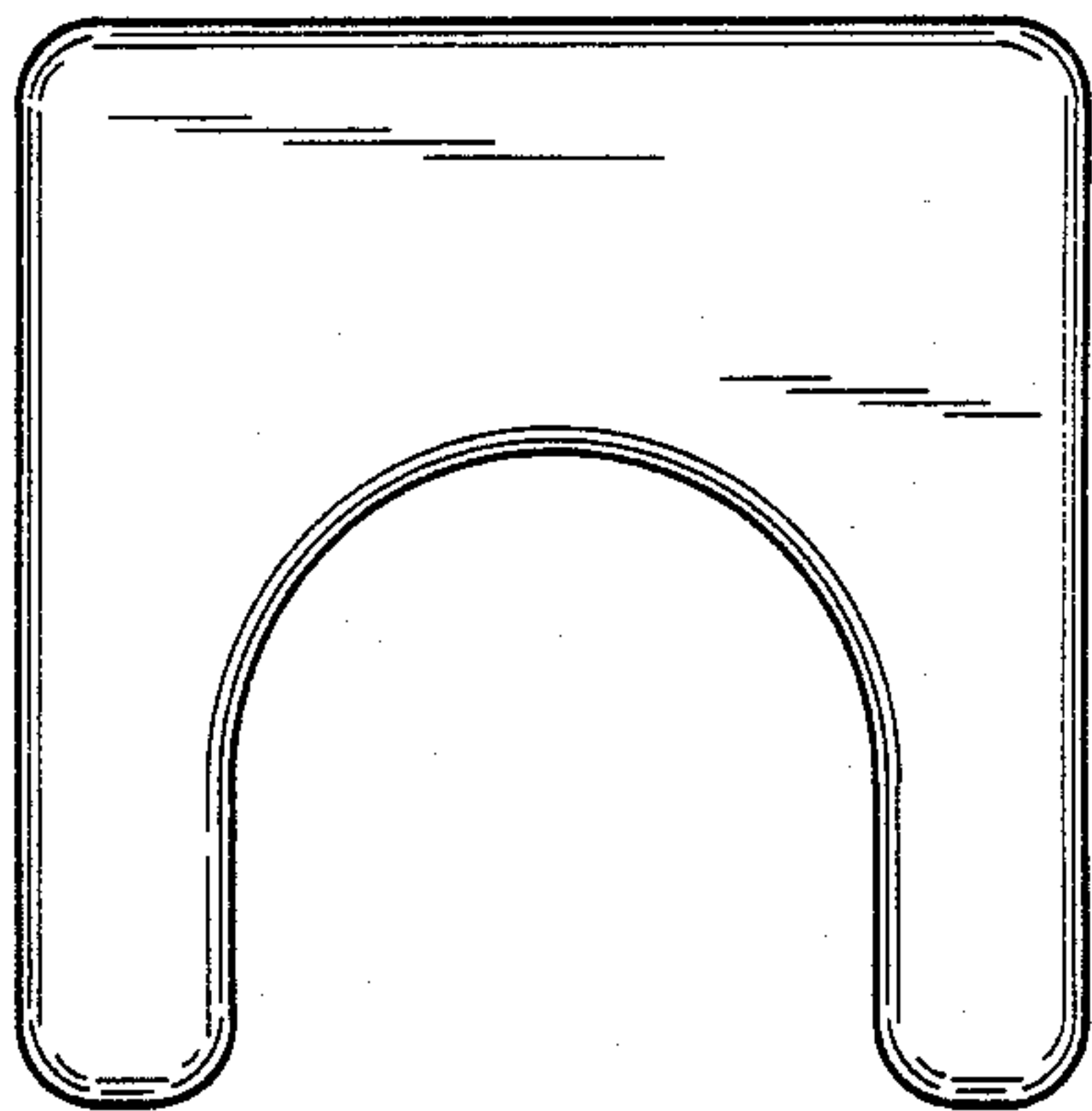


FIG. 16

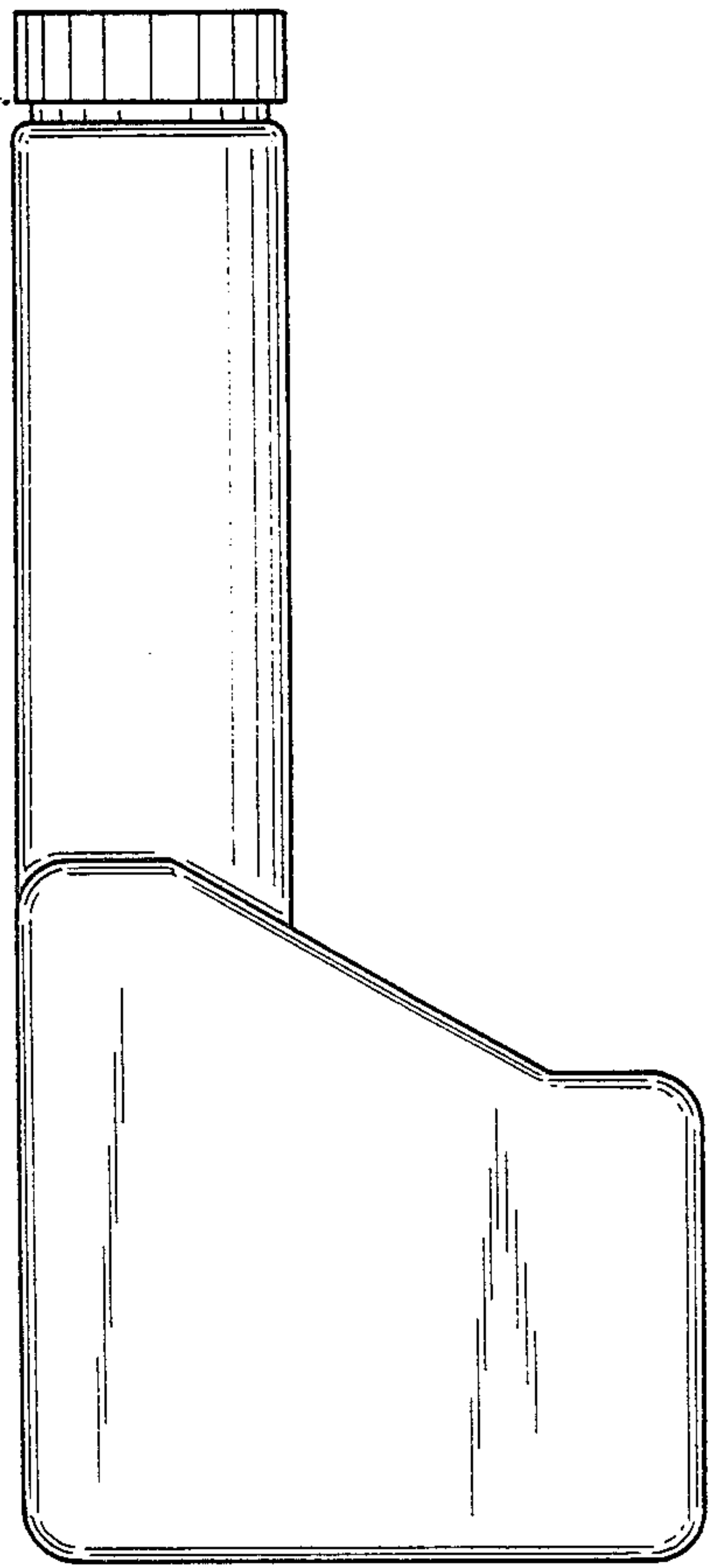


FIG. 17

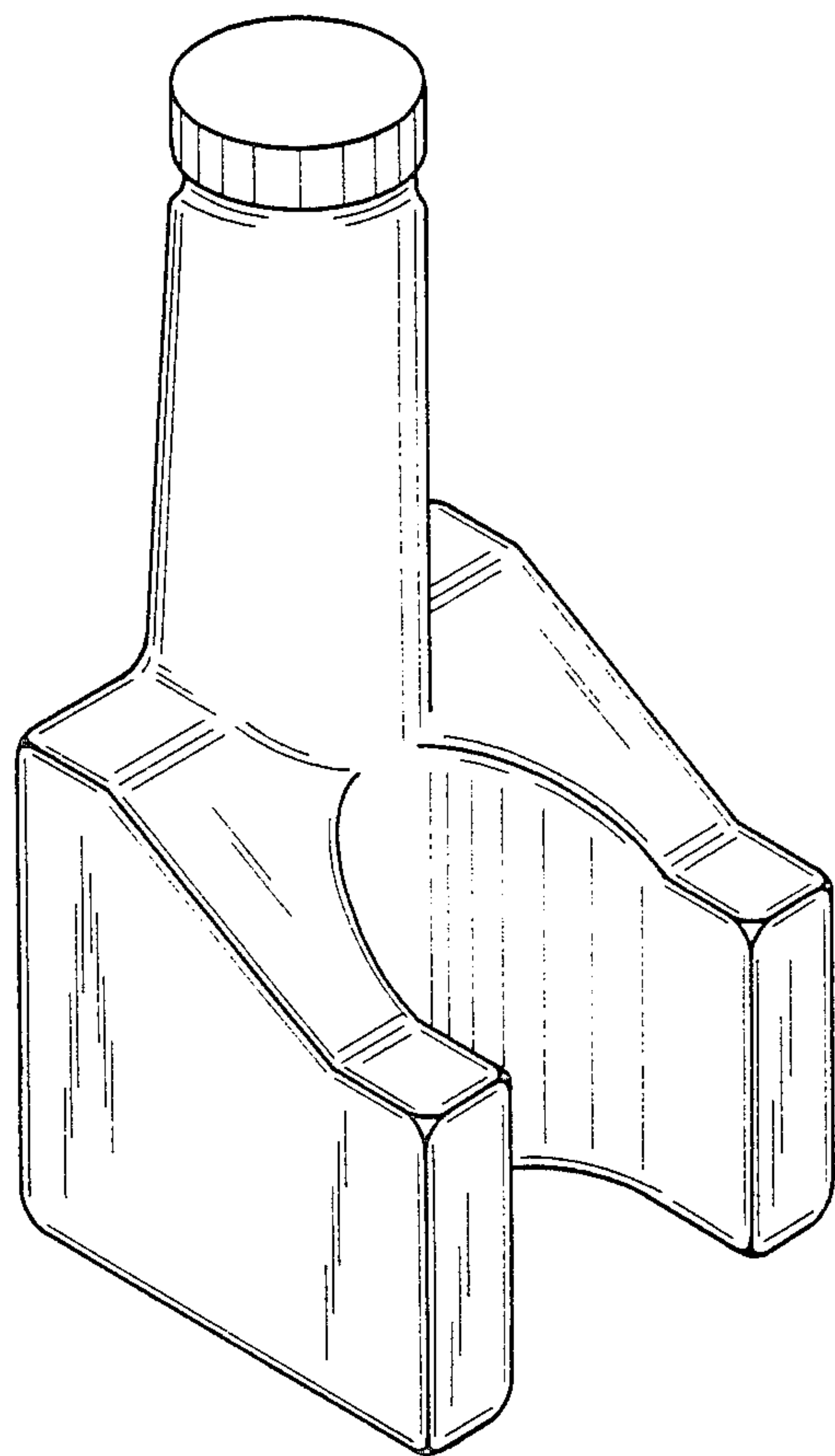


FIG. 18

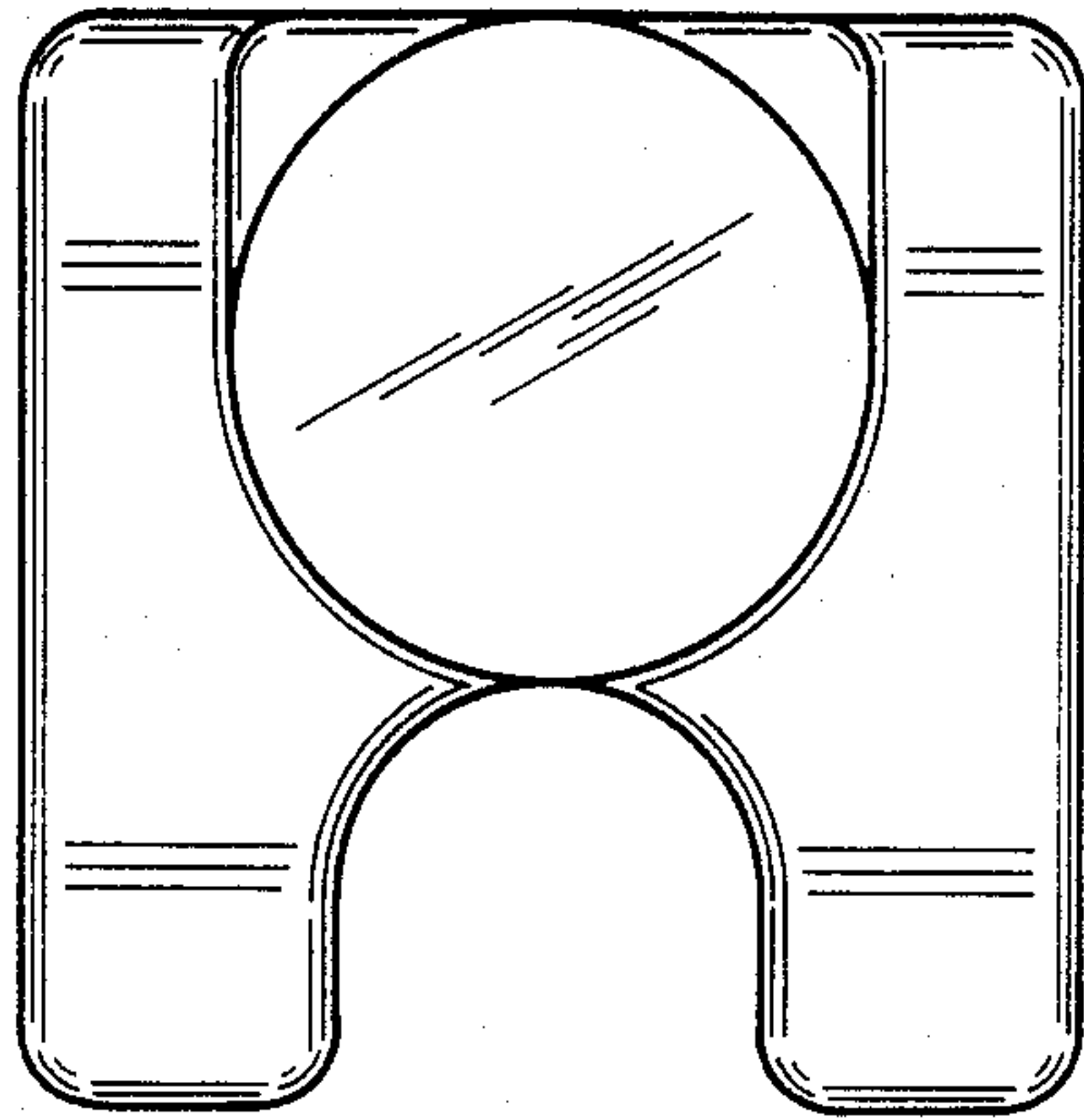


FIG. 20

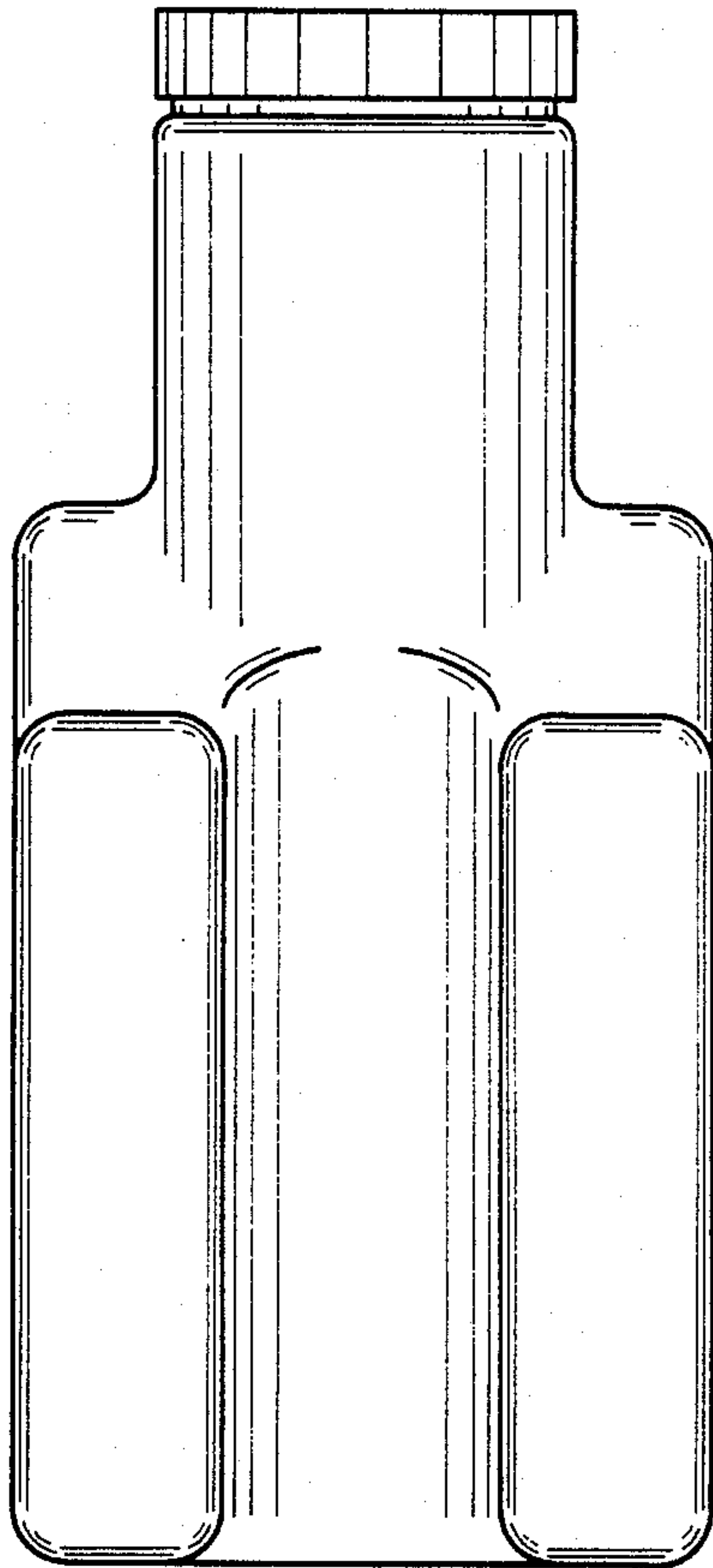


FIG. 19

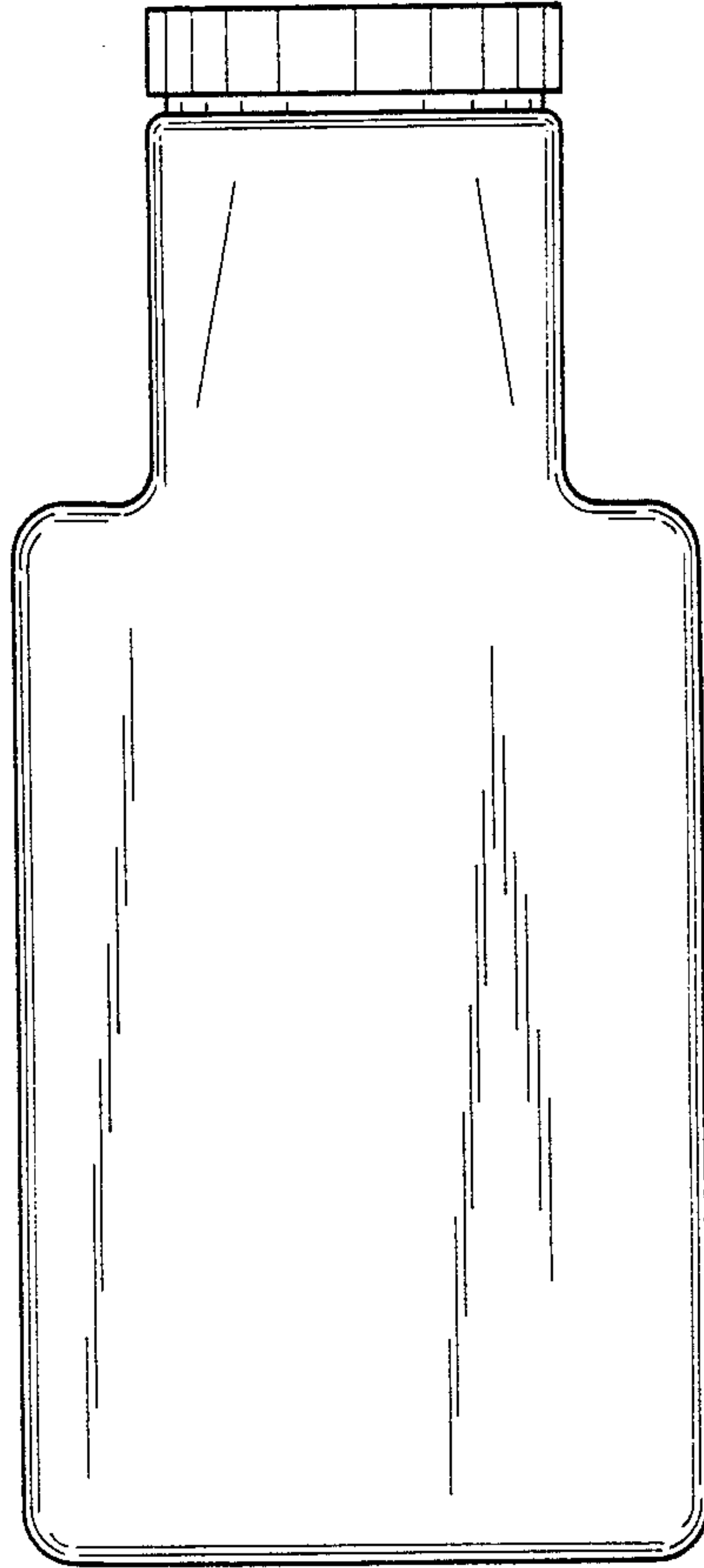


FIG. 21

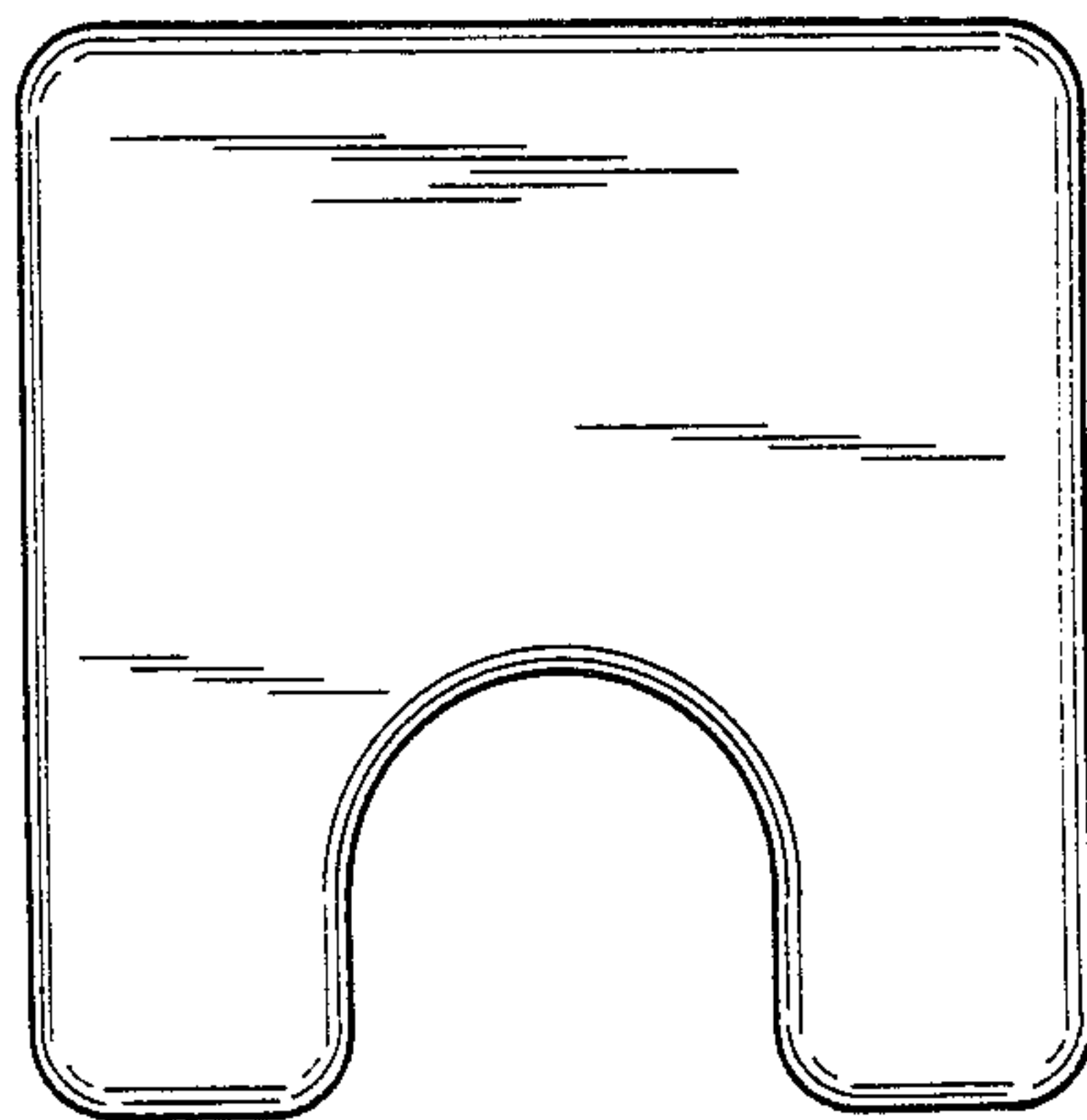


FIG. 22

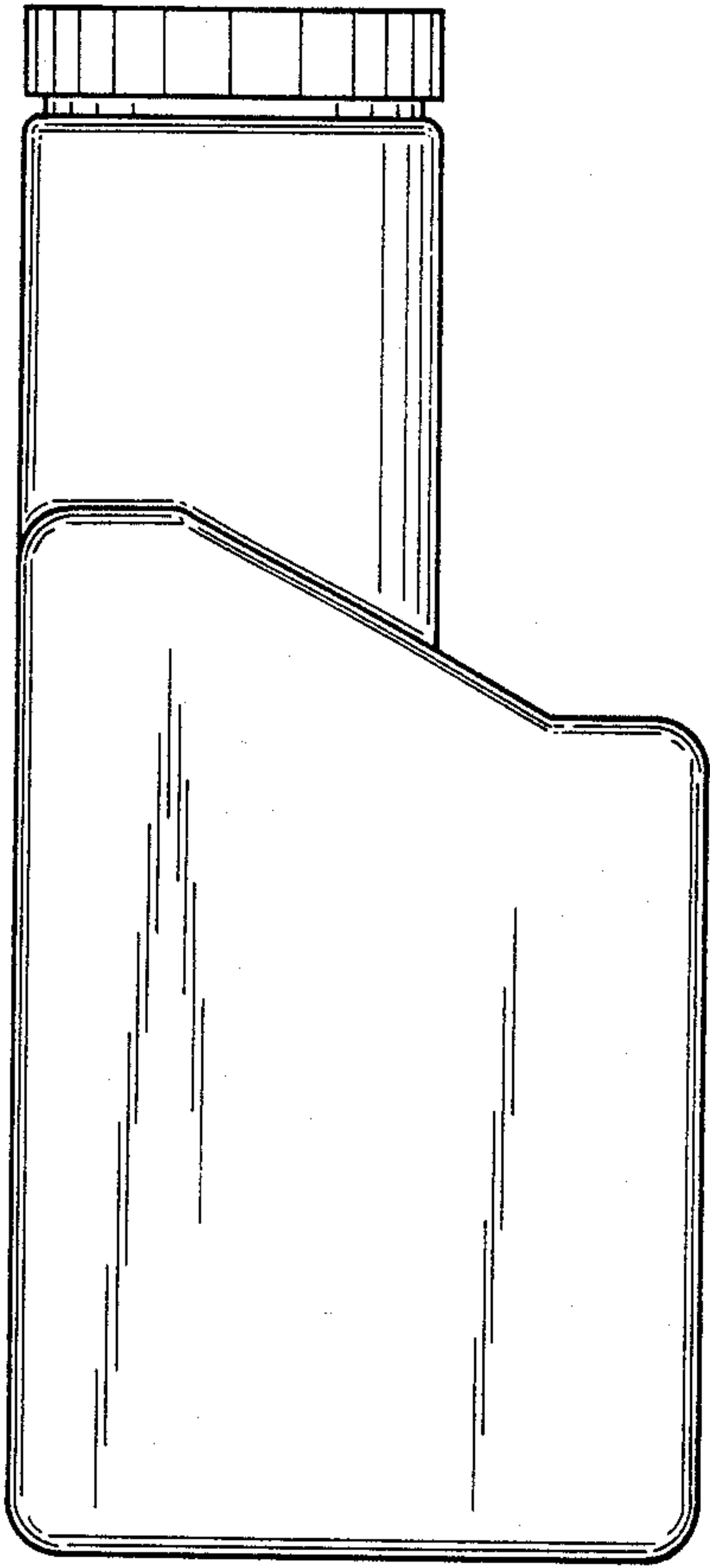


FIG. 23

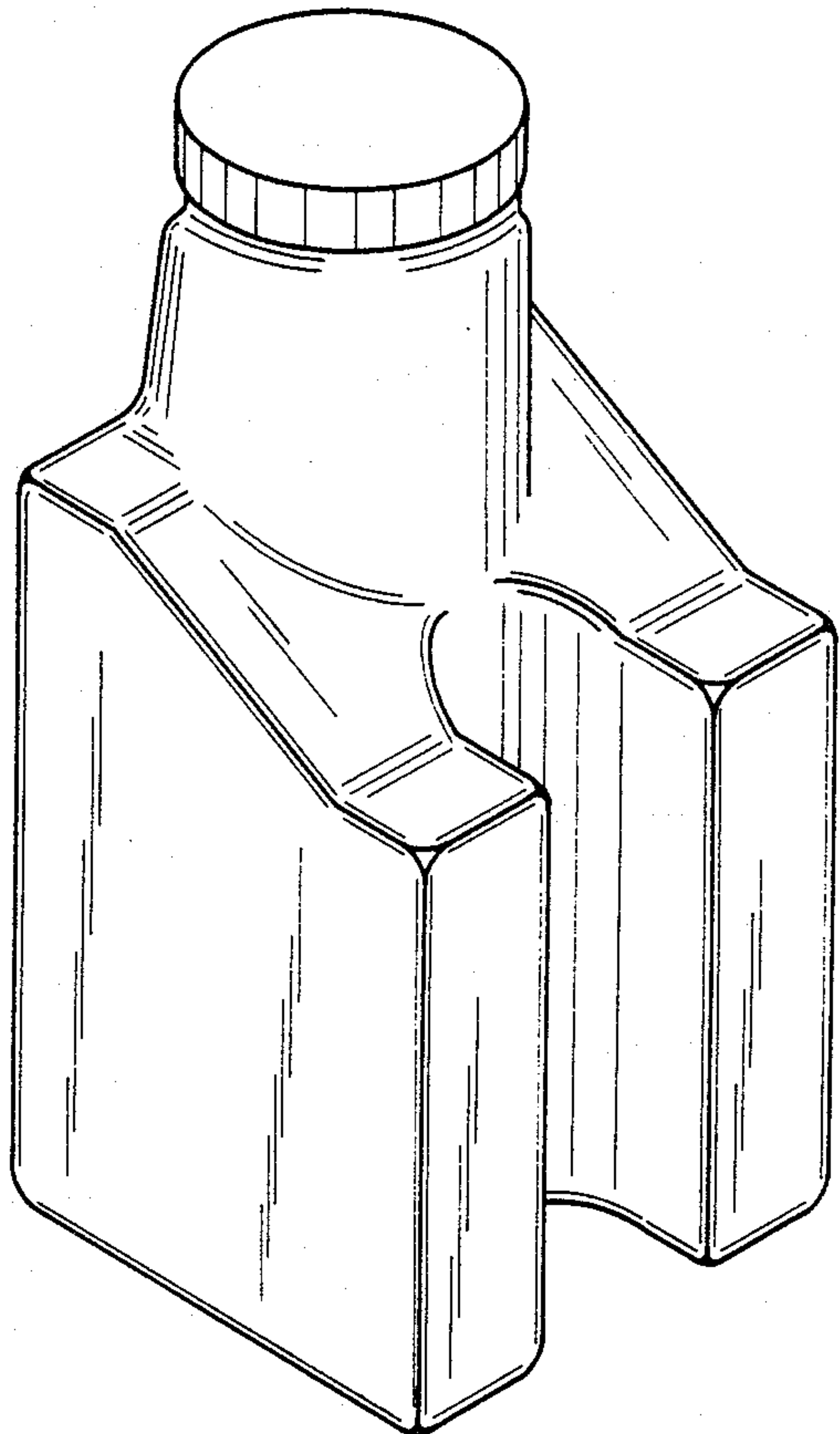


FIG. 24