

[54] **MULTIPLE-TIP TOOL**

[75] **Inventor: Charles H. Graham, Salt Lake City, Utah**

[73] **Assignee: Tekna-Tool, Inc., North Salt Lake, Utah**

[**] **Term: 14 Years**

[21] **Appl. No.: 748,808**

[22] **Filed: Jun. 25, 1985**

[52] **U.S. Cl. D8/85**

[58] **Field of Search D8/82-87; 81/177.4, 436, 437, 439, 490**

[56] **References Cited**

U.S. PATENT DOCUMENTS

438,150	10/1890	Glover .	
532,823	1/1895	Sanger .	
1,000,900	8/1911	Dorsey .	
1,345,708	7/1920	Schneider .	
1,816,812	8/1931	Allison .	
2,566,543	9/1951	Weglarz	81/3
2,629,413	2/1953	Stettler	145/63
2,635,661	4/1953	Egan	145/63
2,679,770	6/1954	Carter et al.	77/25
2,714,409	8/1955	Primrose et al.	145/62
2,730,145	1/1956	Brown	145/64
2,749,953	6/1956	Rundle	145/63
2,765,013	10/1956	Pedersen	145/63
3,006,395	10/1961	Dye	145/63

3,315,545	4/1967	Schnoebelen	D8/84 X
3,683,984	8/1972	Hull	145/62
4,010,663	3/1977	Rydberg	81/71
4,227,430	10/1980	Jansson et al.	81/177
4,241,773	12/1980	Personnat	145/63
4,273,173	6/1981	Smith et al.	81/177
4,328,721	5/1982	Massari	81/439
4,372,362	2/1983	Ahn	145/63
4,434,828	3/1984	Trincia	81/177.4
4,449,559	5/1984	Martinmaas	81/439 X
4,480,668	11/1984	Lin	145/63
4,572,038	2/1986	Graham	D8/84 X

FOREIGN PATENT DOCUMENTS

750138 5/1943 Fed. Rep. of Germany .

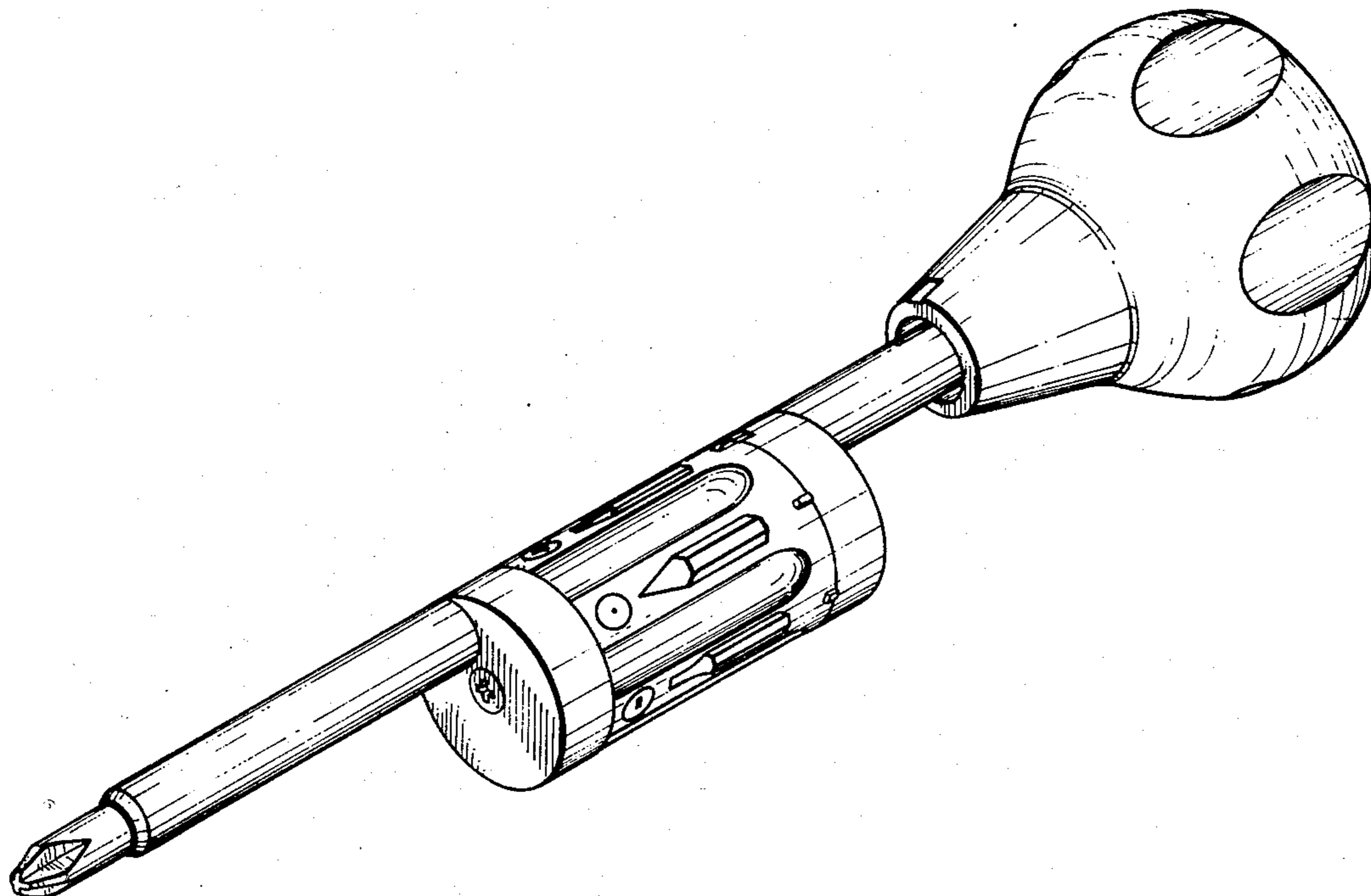
Primary Examiner—Susan J. Lucas
Assistant Examiner—C. E. Heflin
Attorney, Agent, or Firm—Workman, Nydegger & Jensen

[57] **CLAIM**

The ornamental design for a multiple-tip tool, as shown.

DESCRIPTION

FIG. 1 is a perspective view of the multiple-tip tool showing my new design;
 FIG. 2 is a top plan view thereof;
 FIG. 3 is a side elevational view thereof;
 FIG. 4 is a front elevational view thereof;
 FIG. 5 is a rear elevational view thereof;
 FIG. 6 is a bottom plan view thereof; and
 FIG. 7 is an opposite side elevational view thereof.



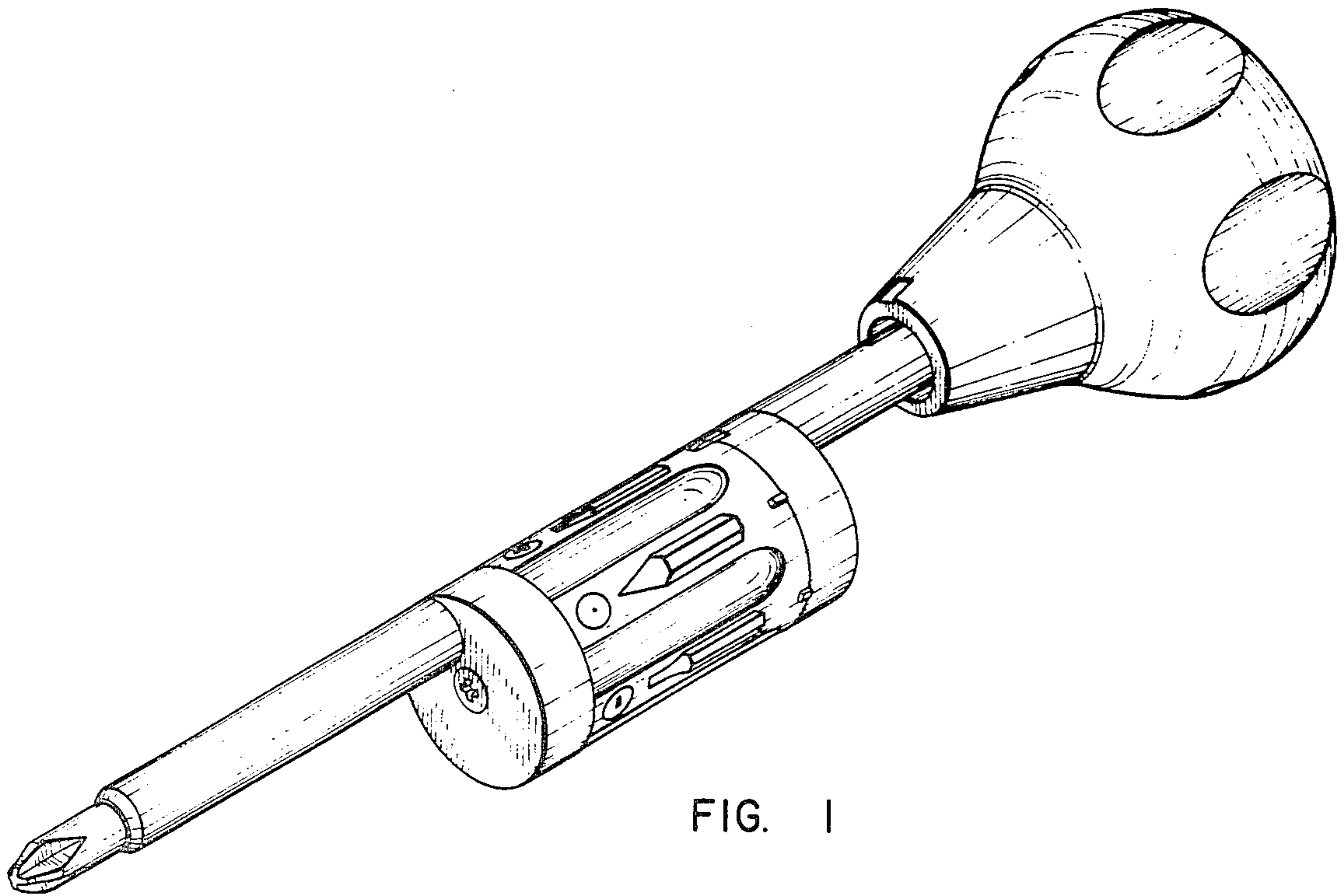


FIG. 1

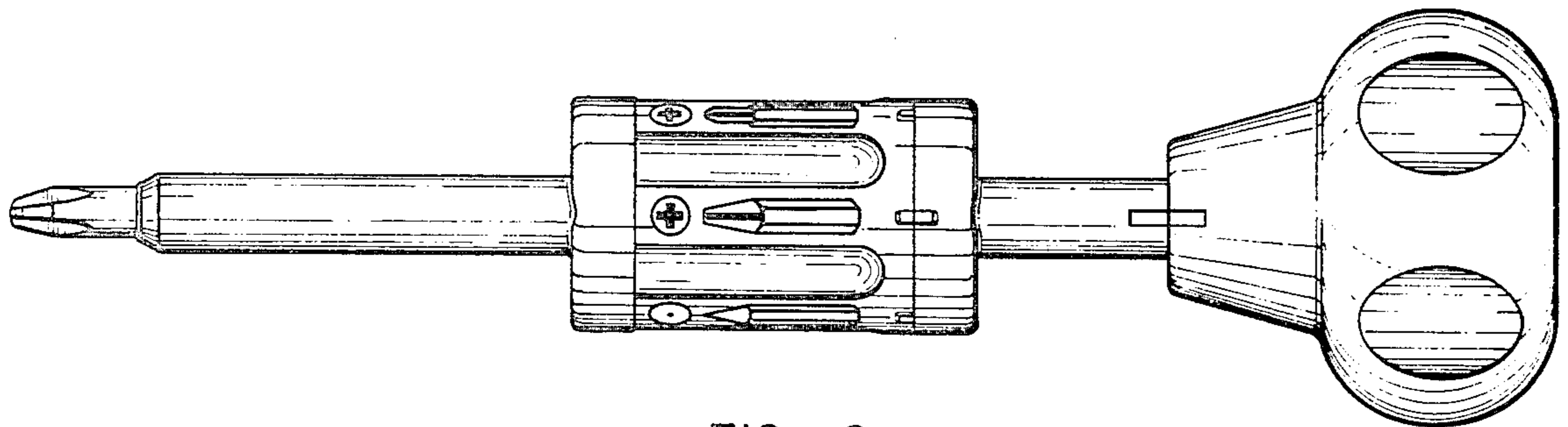


FIG. 2

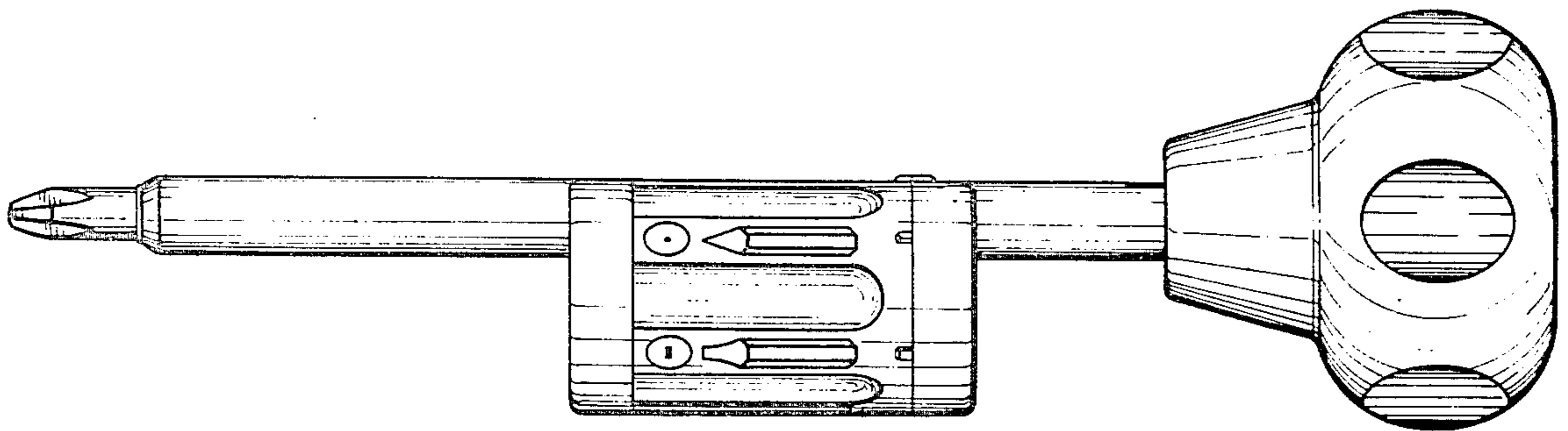


FIG. 3

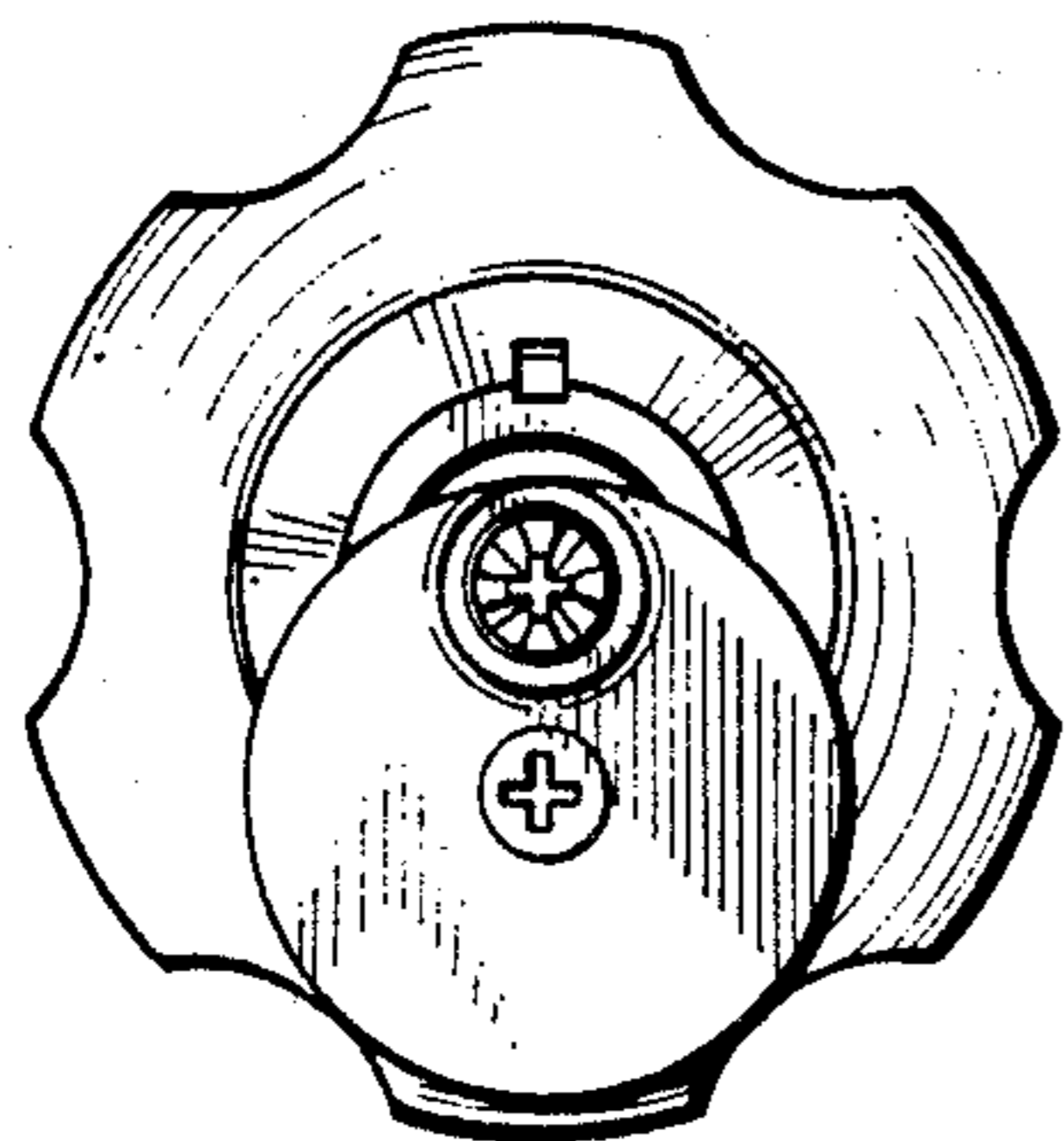


FIG. 4

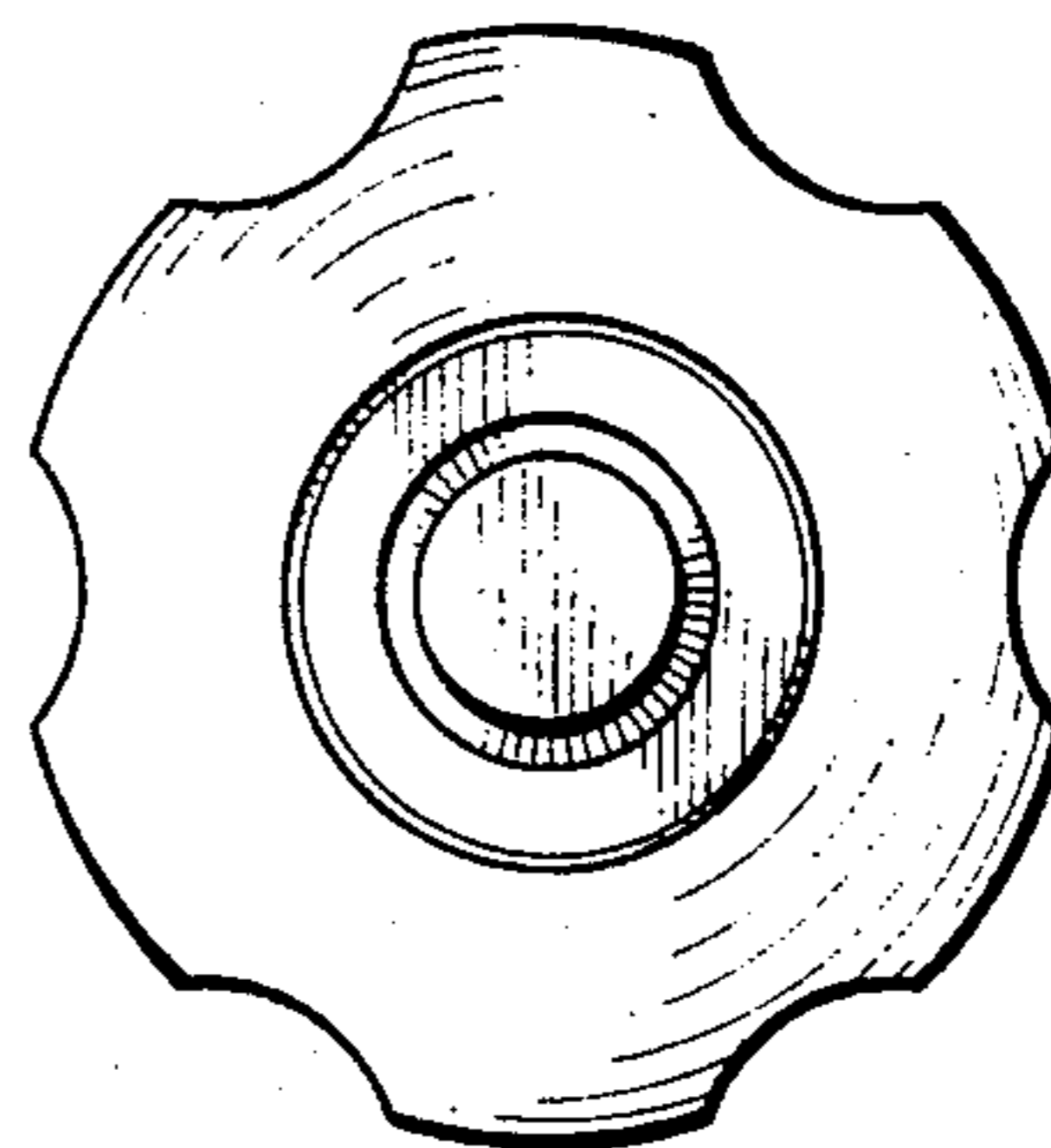


FIG. 5

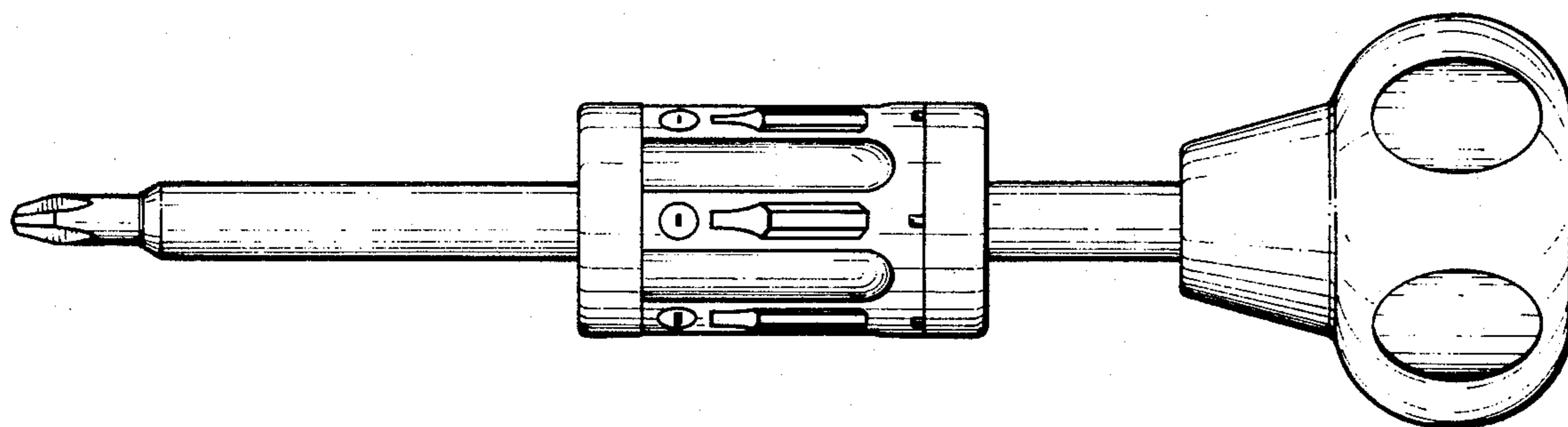


FIG. 6

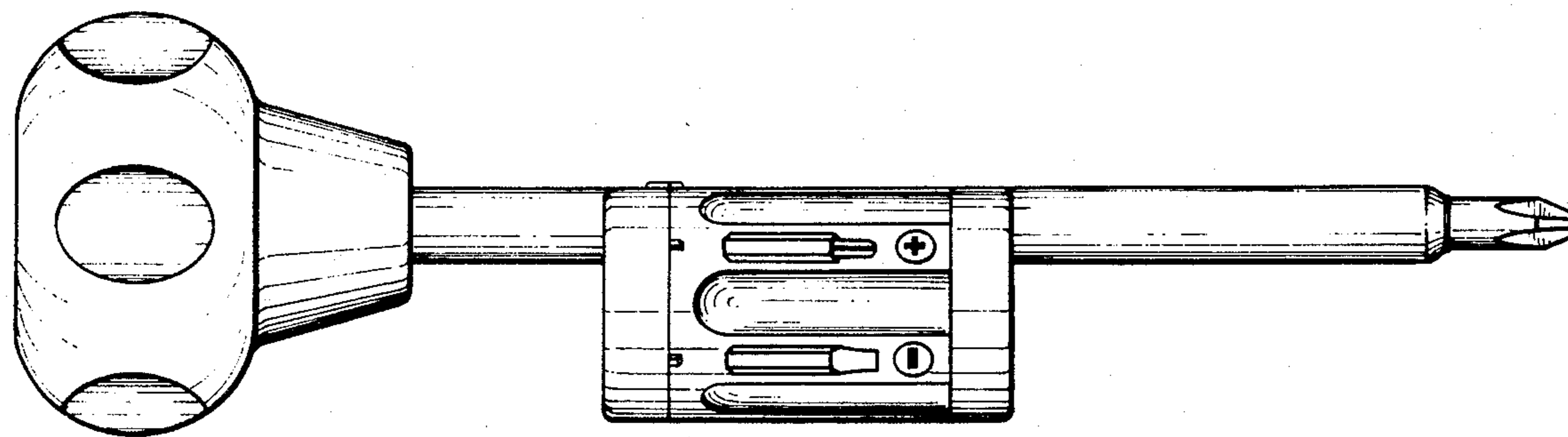


FIG. 7