

[54] **ELECTRIC PIPE THREADER AND PIPE CLAMP COMBINATION**

[75] Inventor: **Hans Urspruch, Stuttgart, Fed. Rep. of Germany**

[73] Assignee: **Albert Roller GmbH & Co. KG Werkzeug- und Maschinenfabrik, Waiblingen, Fed. Rep. of Germany**

[**] Term: **14 Years**

[21] Appl. No.: **562,973**

[22] Filed: **Dec. 19, 1983**

[30] **Foreign Application Priority Data**

Jun. 20, 1983 [DE] Fed. Rep. of Germany GRIII1004/83

Aug. 4, 1983 [DE] Fed. Rep. of Germany GRIII1232/83

[52] U.S. Cl. **D8/61; D8/67**

[58] Field of Search **D8/51, 61, 72, 105, D8/107; 83/875, 876, 877; 7/158, 157, 170; 30/96; 10/87, 89 P**

[56] **References Cited**

U.S. PATENT DOCUMENTS

D. 255,417 6/1980 Sakamoto et al. D8/62

1,673,979 6/1928 Hall 10/87 X

2,350,700 6/1944 Segeberg 10/87 X

3,316,571 5/1967 Cutrone 10/87 X

4,386,440 6/1983 Ohyama 10/87

4,502,821 3/1985 Wagner 10/89 P X

FOREIGN PATENT DOCUMENTS

0052120 5/1981 Japan 30/96

Primary Examiner—Susan J. Lucas
Assistant Examiner—C. E. Heflin
Attorney, Agent, or Firm—Holman & Stern

[57] **CLAIM**

The ornamental design of an electric pipe threader and pipe clamp combination, substantially as shown and described.

DESCRIPTION

FIG. 1 is a perspective view of a electric pipe threader and pipe clamp combination showing my new design with the pipe and electric cord being shown in broken lines for illustrative purposes only;

FIG. 2 is a side elevational view thereof;

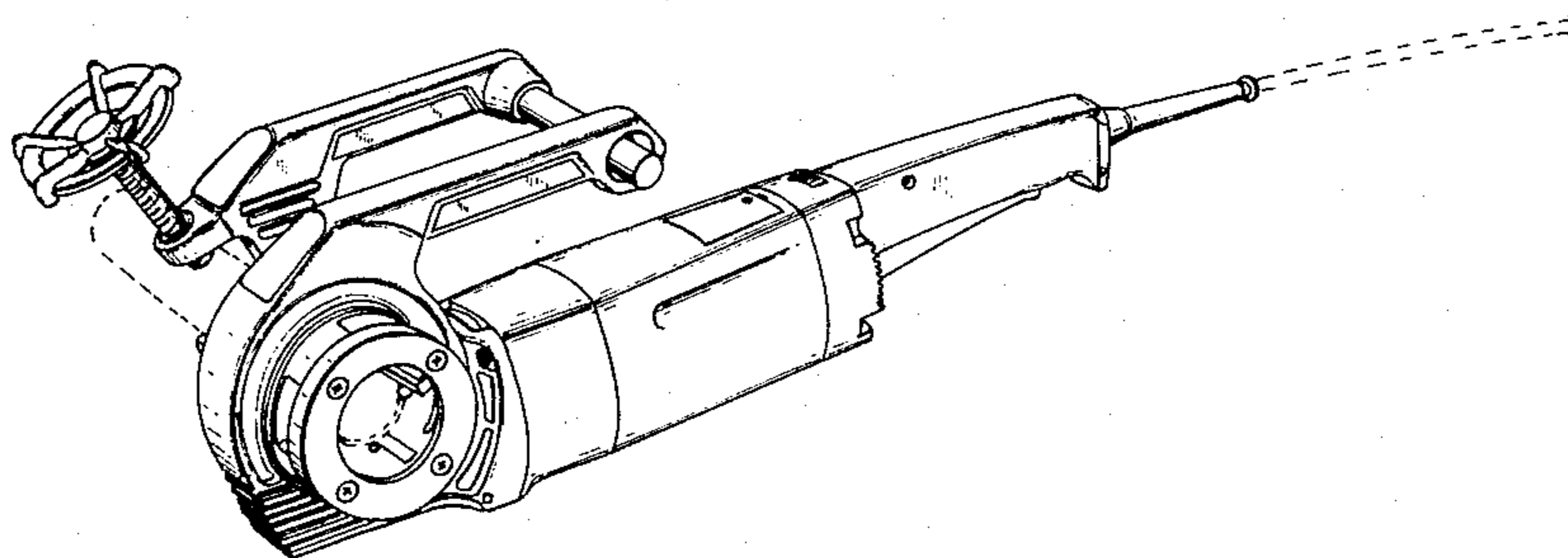
FIG. 3 is an opposite side elevational view thereof;

FIG. 4 is a front end elevational view thereof;

FIG. 5 is a rear end elevational view thereof;

FIG. 6 is a top plan view thereof;

FIG. 7 is a bottom plan view thereof.



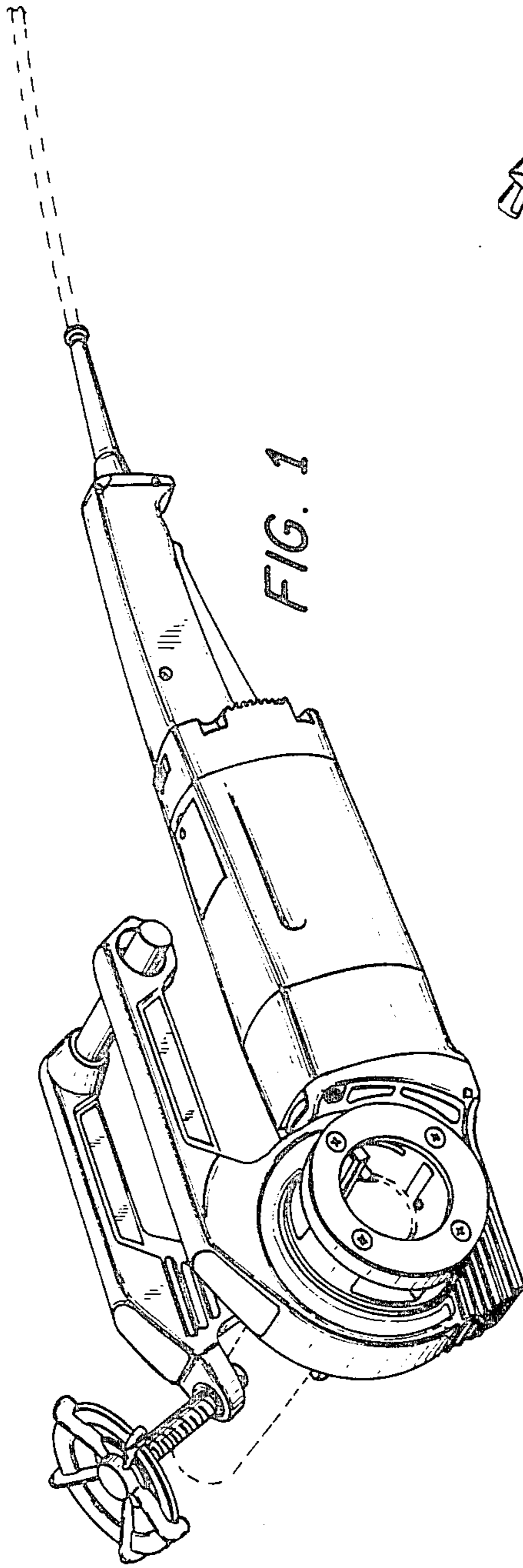


FIG. 1

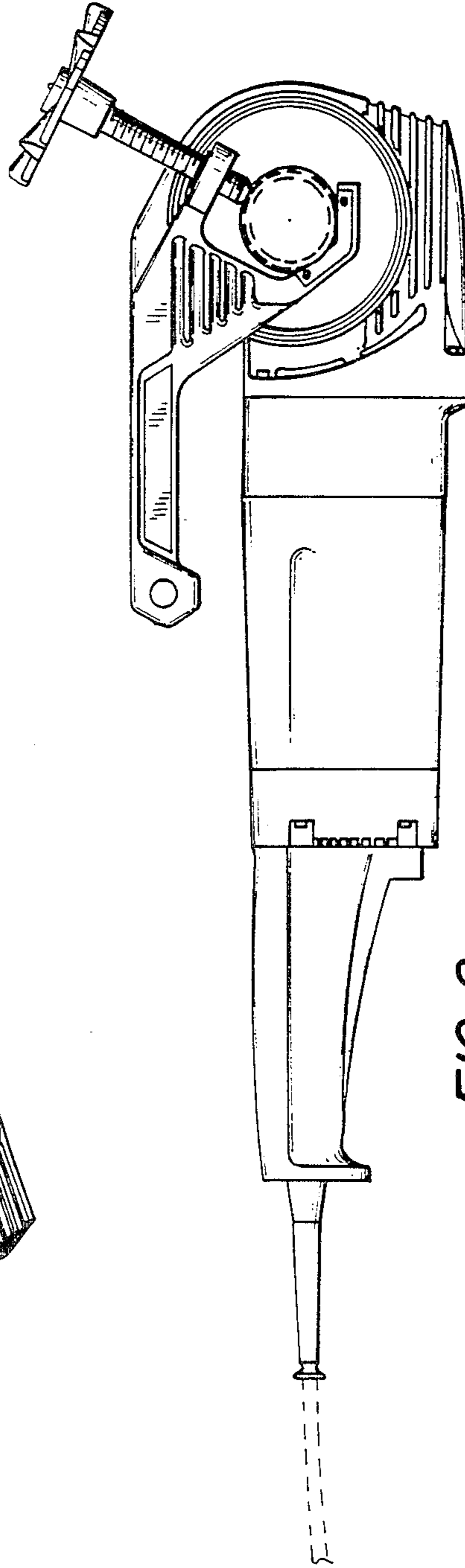
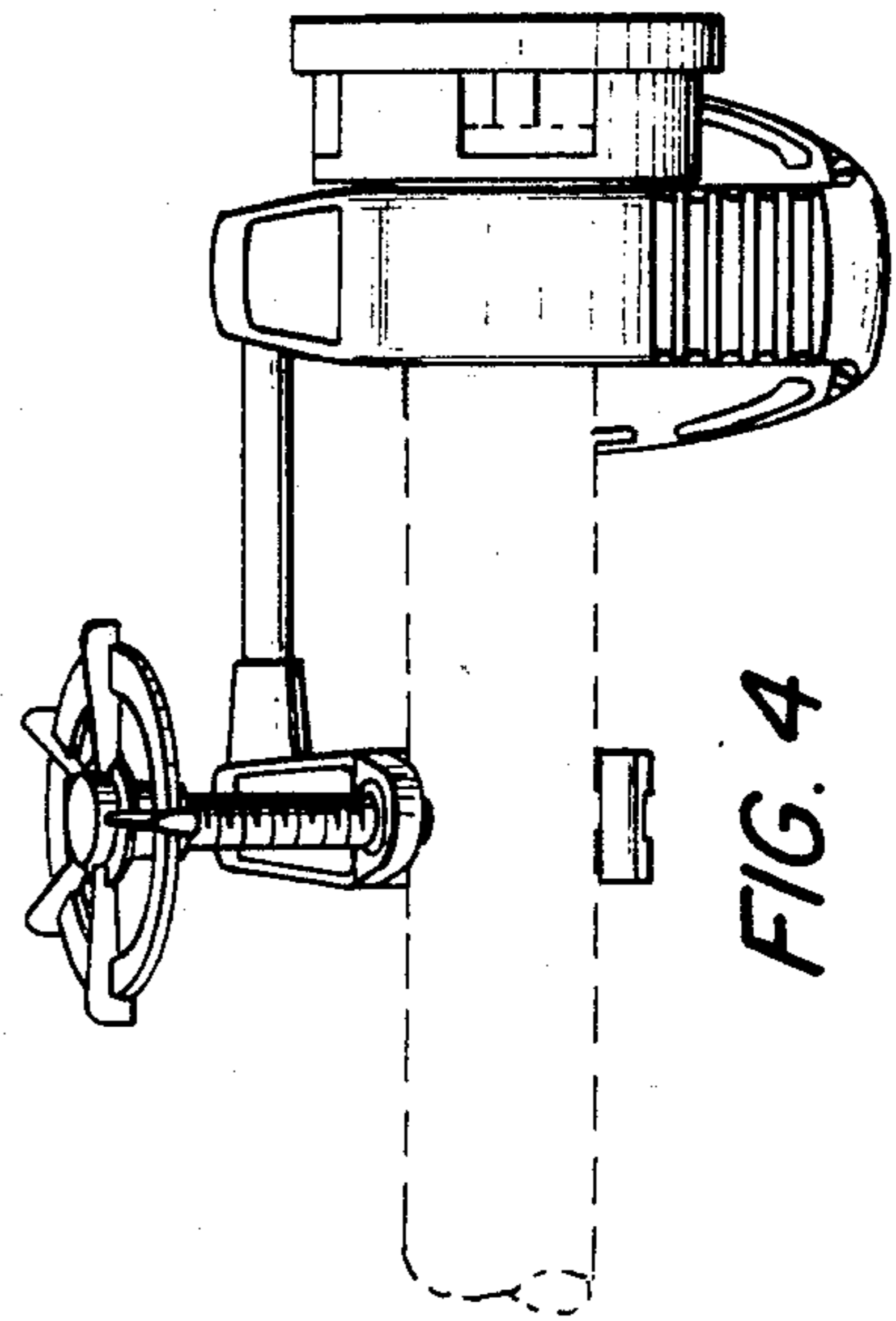
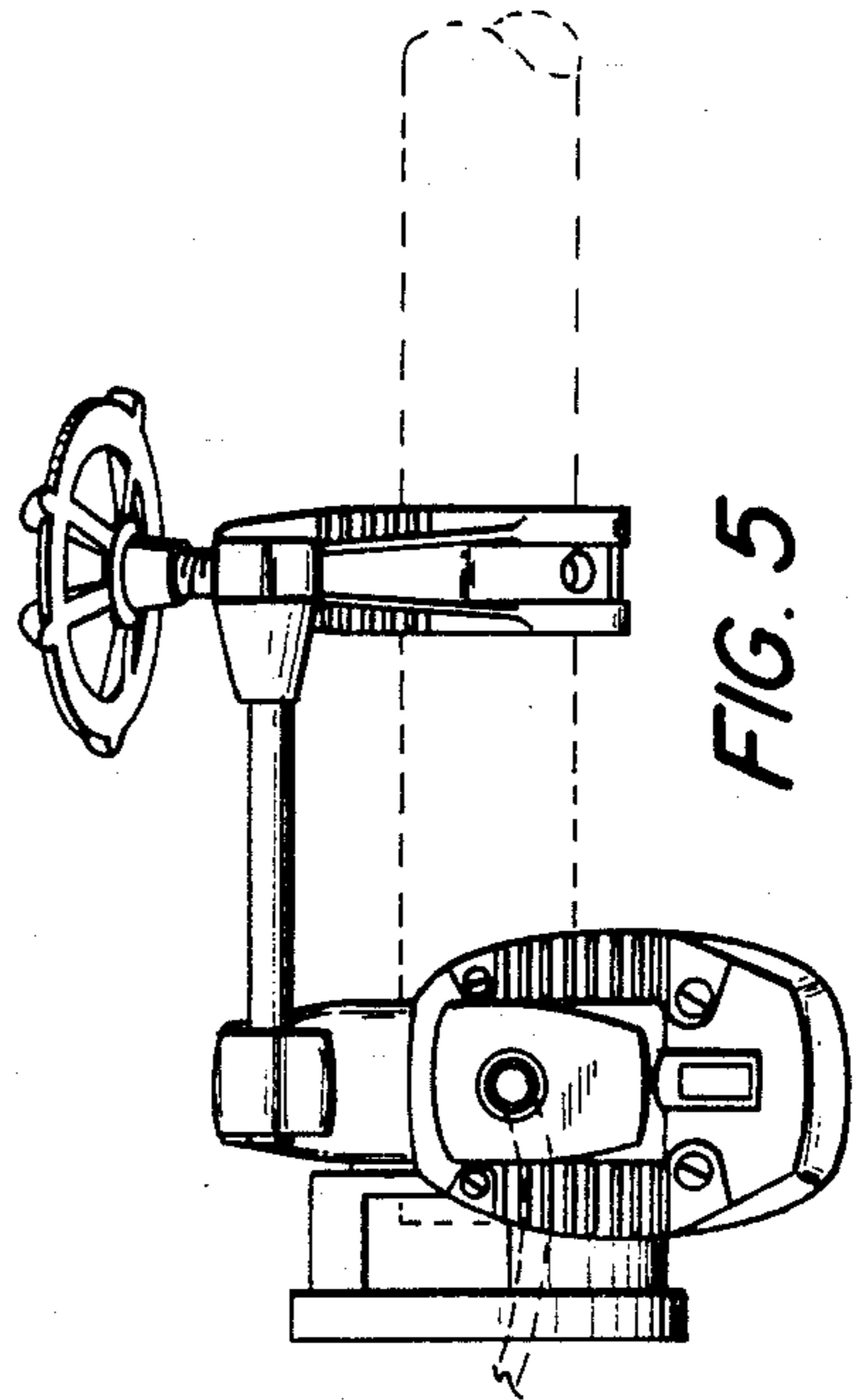
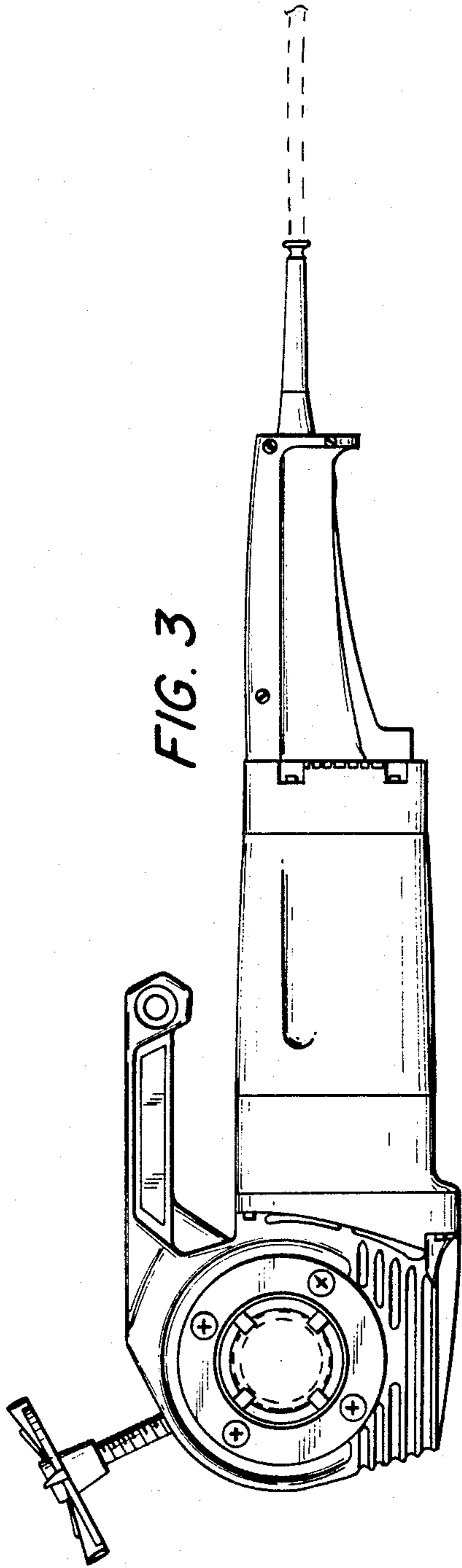


FIG. 2



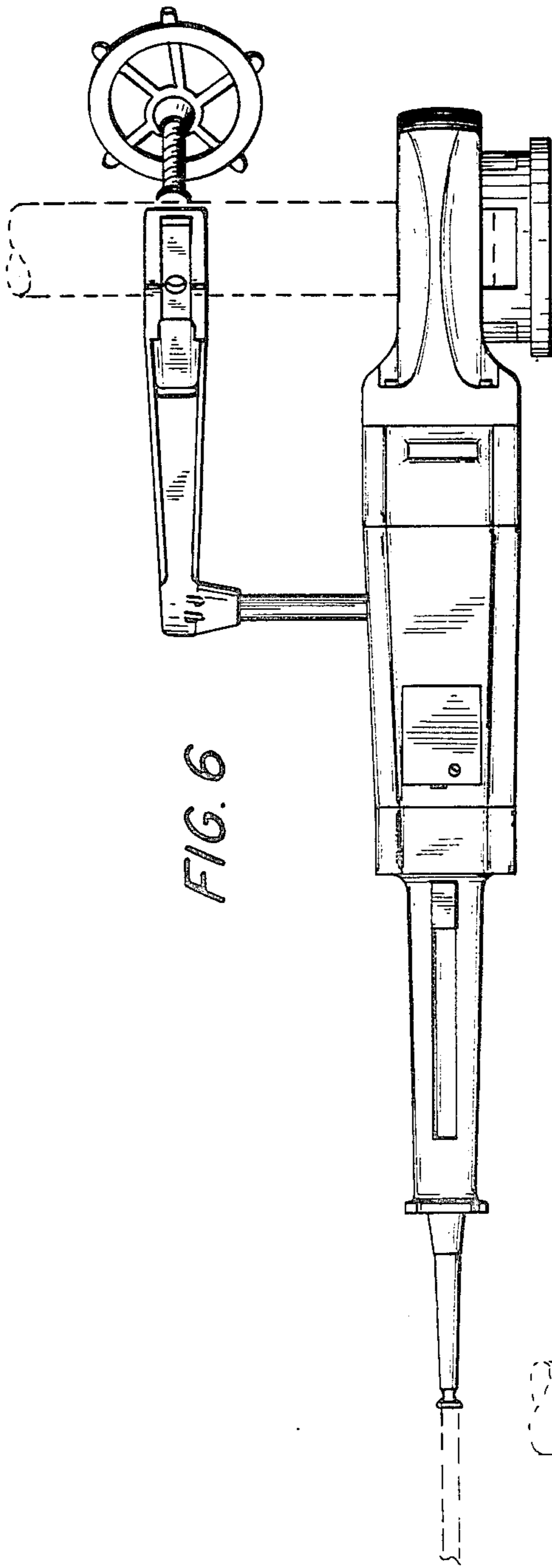


FIG. 6

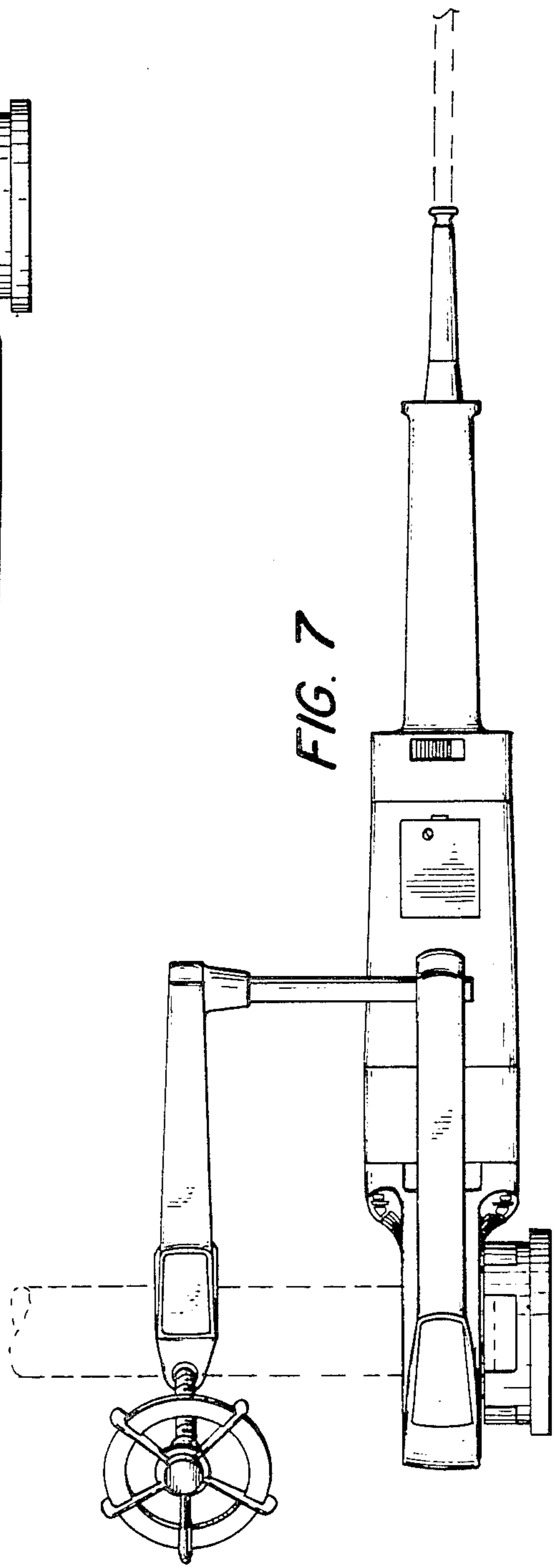


FIG. 7