

[54] FIREPLACE COOKING GRILL INSERT

[75] Inventor: Craig R. Thomas, Cherokee, Iowa

[73] Assignee: R. J. Thomas Manufacturing Co., Inc., Cherokee, Iowa

[**] Term: 14 Years

[21] Appl. No.: 650,253

[22] Filed: Sep. 13, 1984

[52] U.S. Cl. D7/408

[58] Field of Search D7/332-333, D7/336-337, 339, 346, 402-403, 407-409, 335-336; 126/25 R, 25 A, 25 AA, 25 B, 26, 27, 29, 30, 9 R, 9 B, 336, 164, 137; 99/419, 421 R, 421 HV, 425, 444-450

[56] References Cited

U.S. PATENT DOCUMENTS

D. 252,007	6/1979	Morgan	D7/332
D. 271,740	12/1983	Borglum	D7/332
D. 276,688	12/1984	Lee	D7/332
D. 277,540	2/1985	Thomas et al.	D7/337
907,501	12/1908	Jarrett	126/336
1,188,562	6/1916	Schaffan	126/154

2,960,979	11/1960	Stone	126/25 A
2,998,001	8/1961	Lofgren et al.	126/137
3,025,784	3/1962	Williams	99/446
3,395,692	8/1968	Johns	126/137
3,641,922	2/1972	Nachazel et al.	126/30
4,117,825	10/1978	Robertson	126/29
4,127,099	11/1978	Fortier	126/137

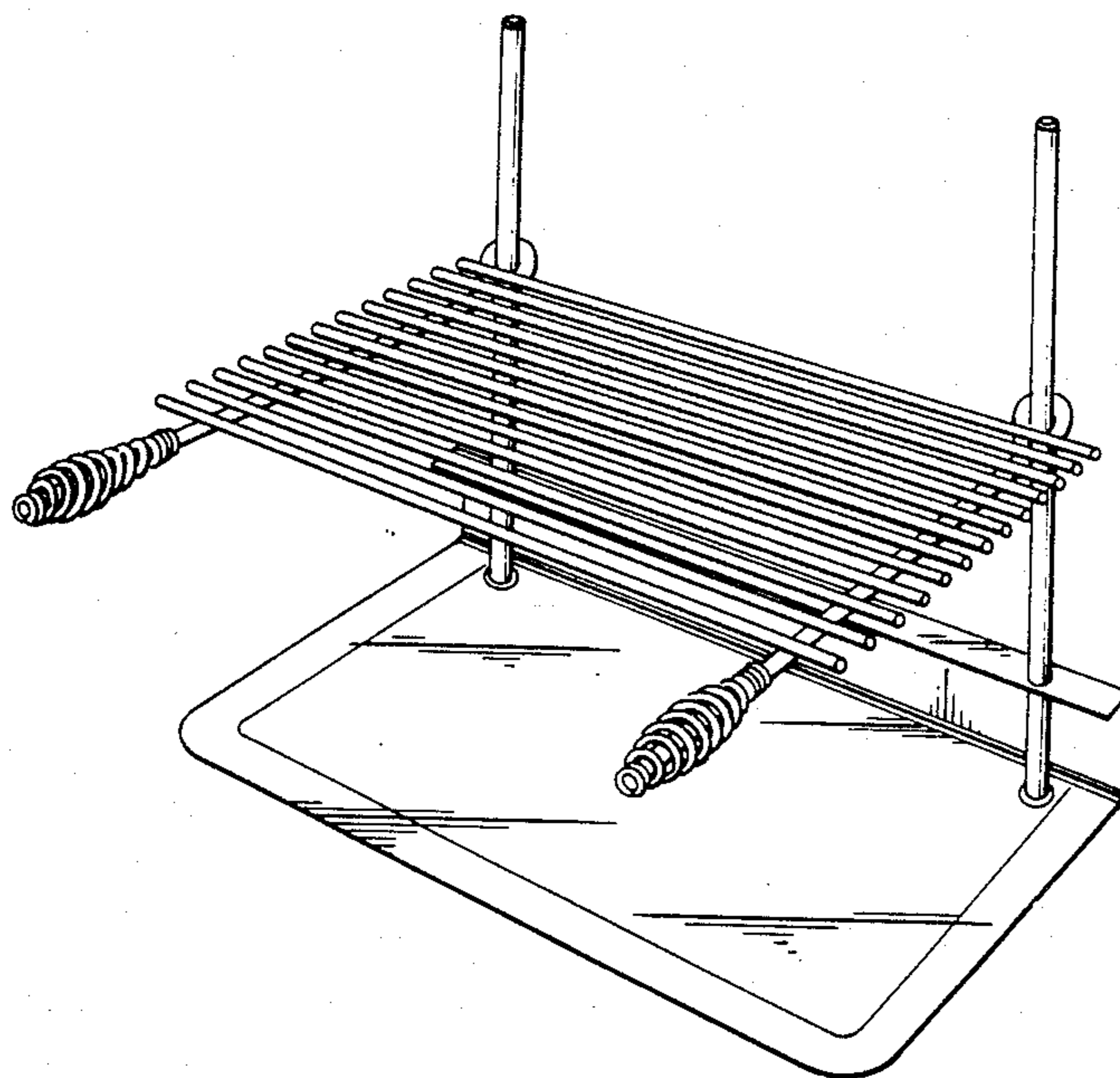
Primary Examiner—Wallace R. Burke
Assistant Examiner—Ruth E. Takemoto
Attorney, Agent, or Firm—Zarley, McKee, Thomte, Voorhees & Sease

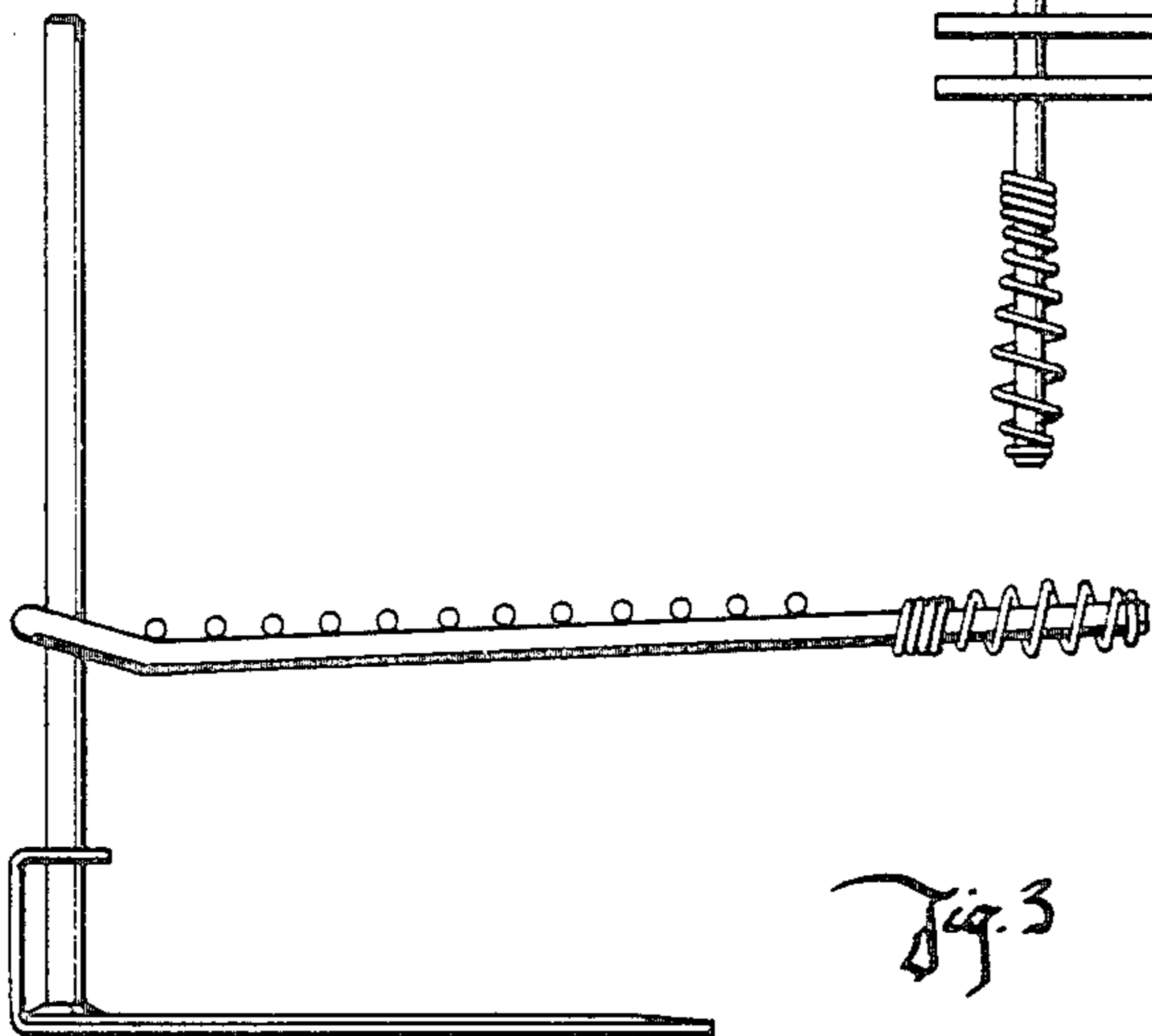
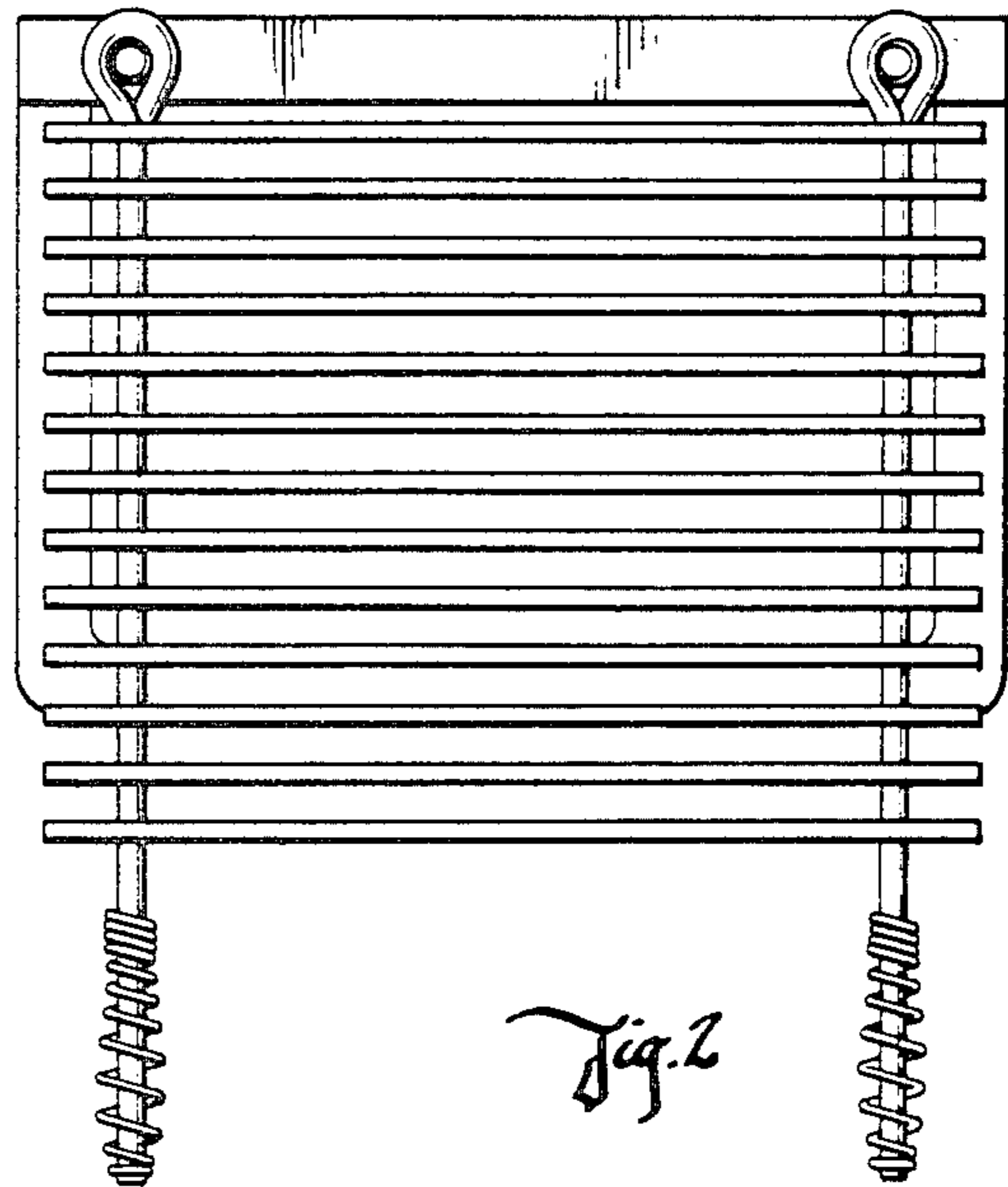
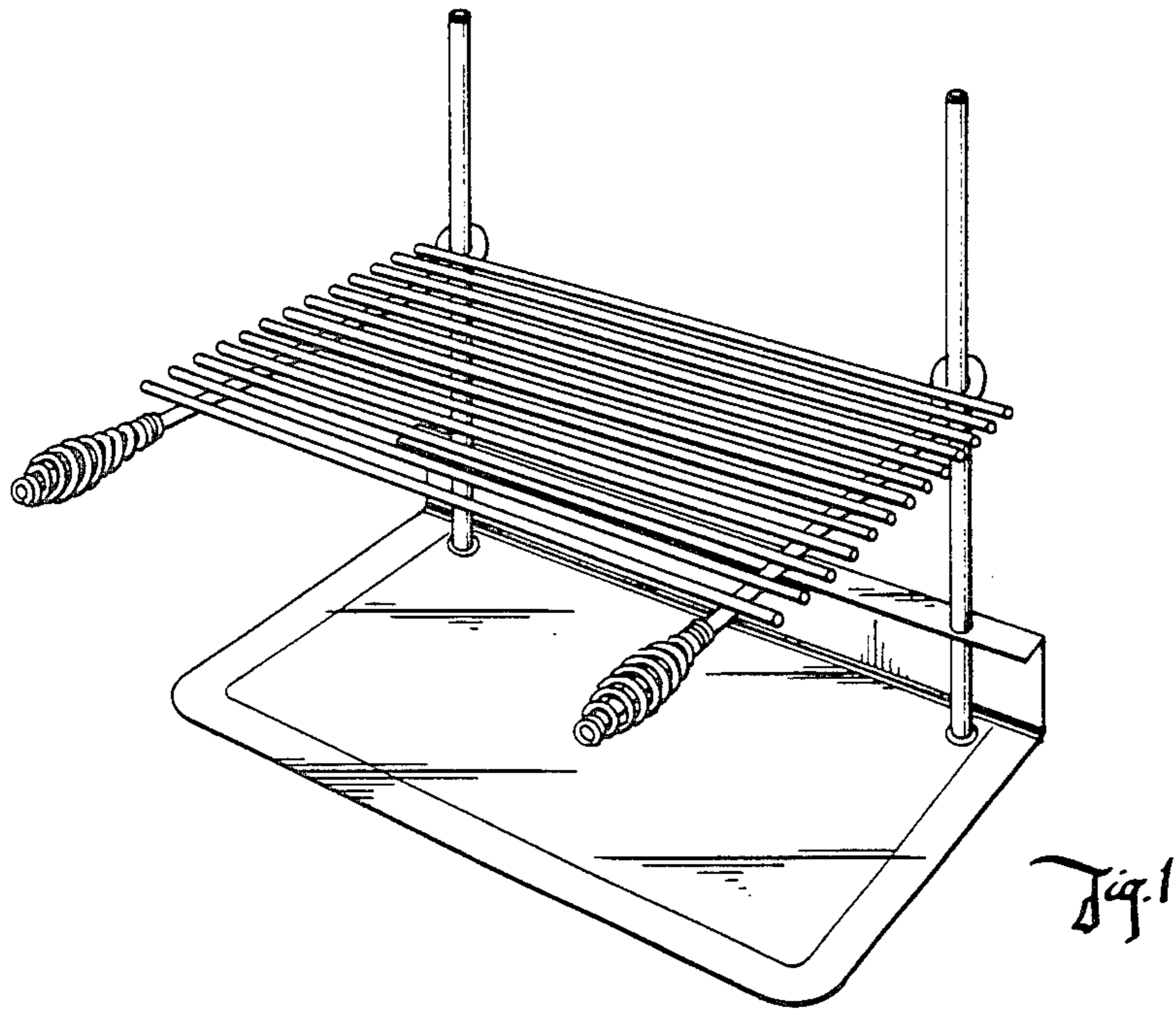
[57] CLAIM

The ornamental design for a fireplace cooking grill insert, or similar article, substantially as shown.

DESCRIPTION

FIG. 1 is a perspective view of the fireplace cooking grill insert;
FIG. 2 is a plan view of the fireplace cooking grill insert;
FIG. 3 is an elevated side view of the fireplace cooking grill insert;
FIG. 4 is a front elevational view thereof;
FIG. 5 is a rear elevational view thereof; and
FIG. 6 is a bottom plan view thereof.





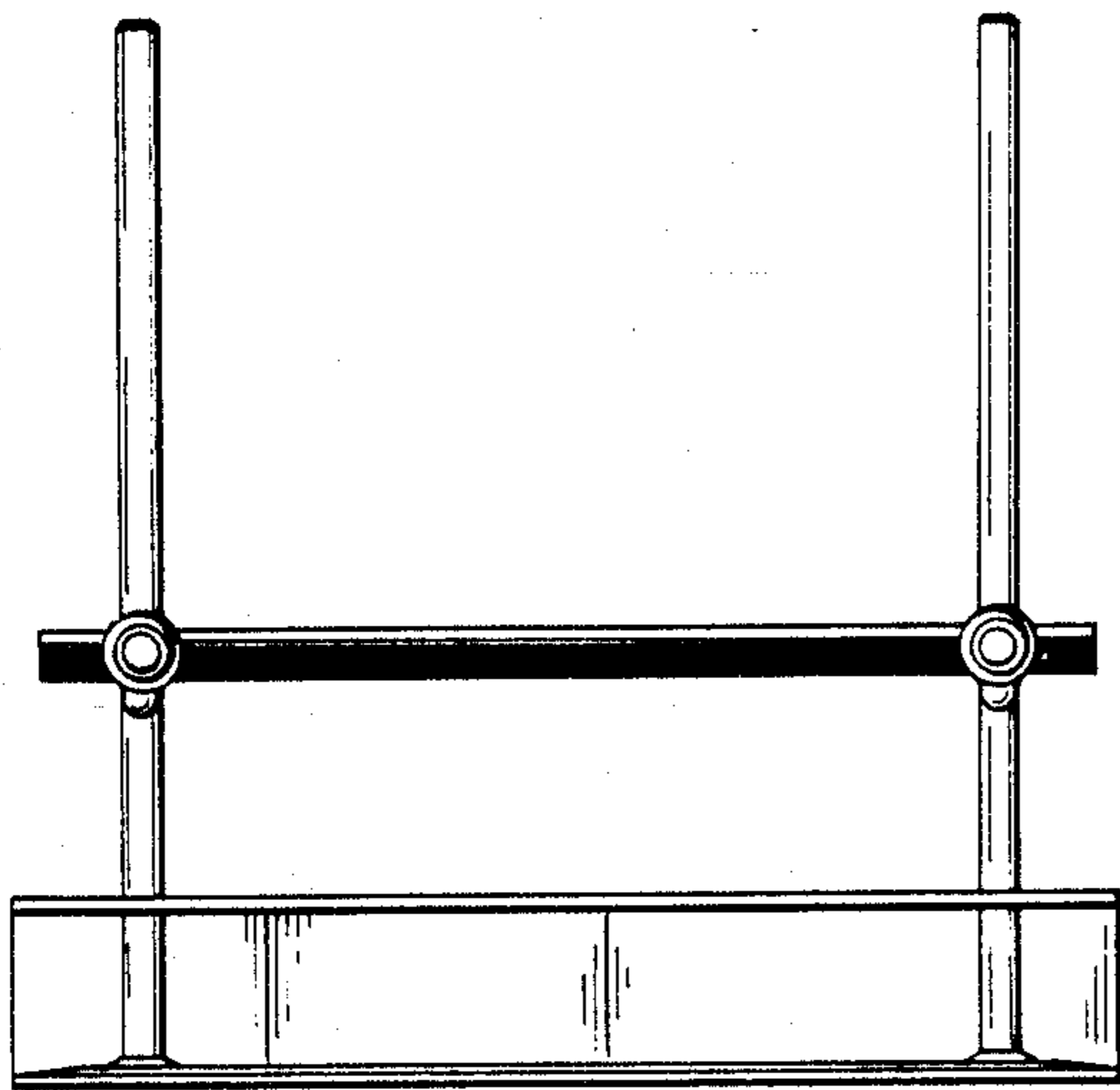


Fig. 4

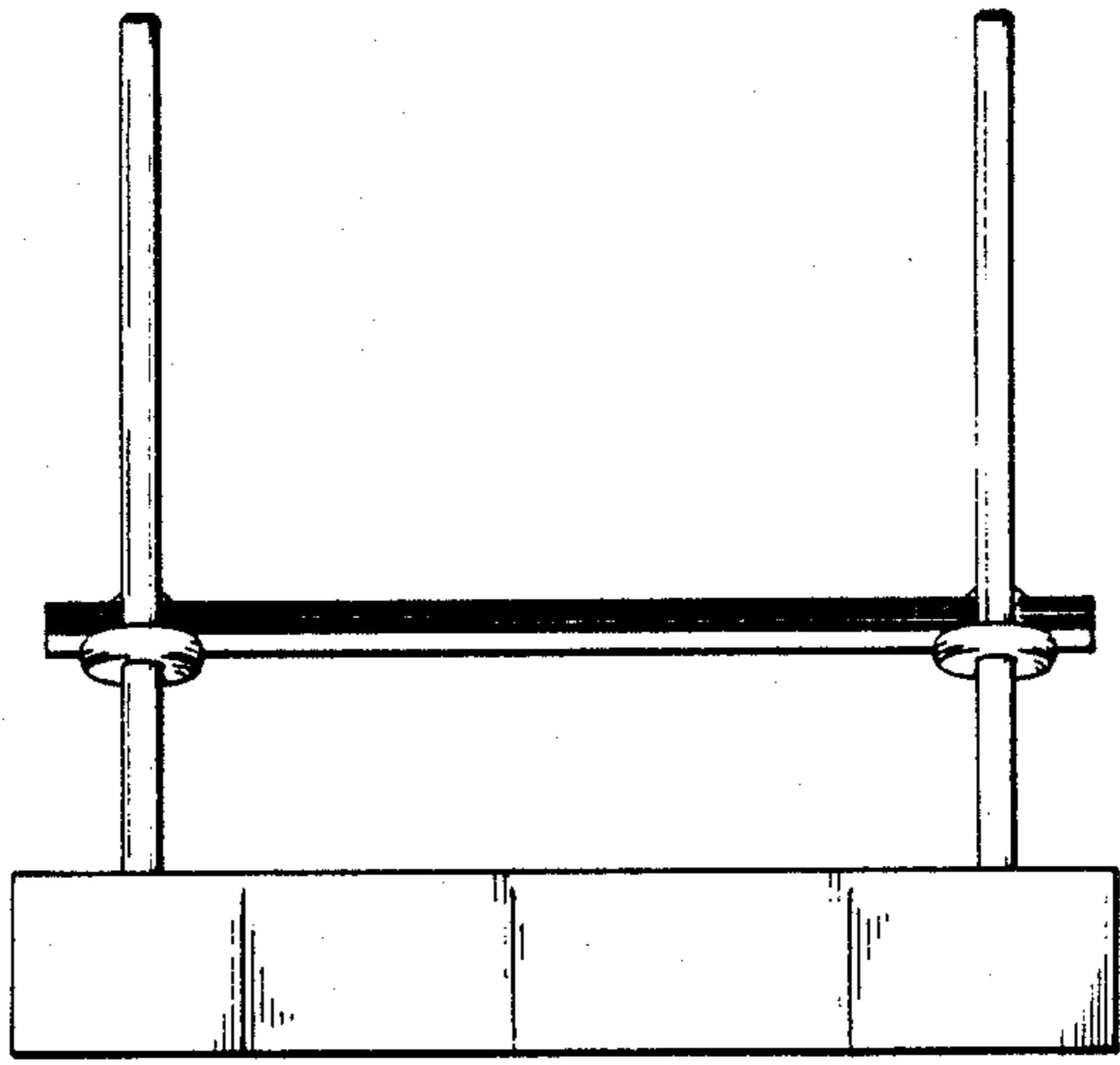


Fig. 5

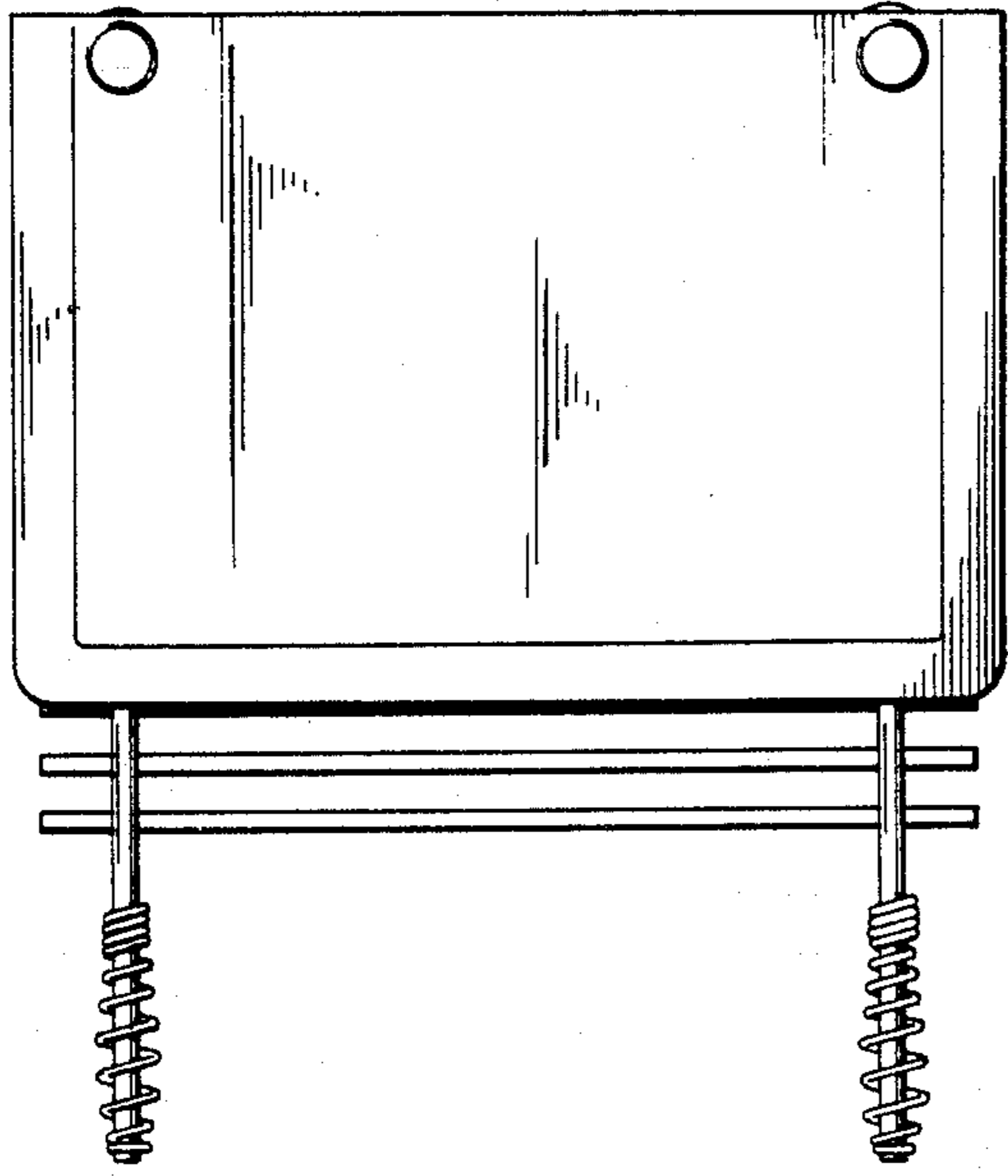


Fig. 6