

[54] COFFEEMAKER

[75] Inventors: Franz A. Stützer; Michael Knöchner, both of Offenbach, Fed. Rep. of Germany

[73] Assignee: Rowenta-Werke, GmbH, Fed. Rep. of Germany

[**] Term: 14 Years

[21] Appl. No.: 662,580

[22] Filed: Oct. 19, 1984

[30] Foreign Application Priority Data

Apr. 27, 1984 [DE] Fed. Rep. of Germany 5 MR 10 525

[52] U.S. Cl. D7/309; D7/311

[58] Field of Search D7/305, 308, 309, 311; 99/300, 312

[56] References Cited

U.S. PATENT DOCUMENTS

- D. 253,387 11/1979 Tomaro D7/309
- D. 278,200 4/1985 Dahlberg D7/309 X
- D. 283,779 5/1986 Beeren D7/308 X

4,204,465 5/1980 Knecht 99/300 X

OTHER PUBLICATIONS

Smithsonian, Apr. 1980, p. 20, "Krupps"-Gaggia Espresso/Cappuccino Maker top left.

Form 100, IV-1982, p. 90, "Krupps" Machine shown. *HFD Supplement*, sec. two, Hamilton Beach Adv., Jul. 9, 1979, Espresso Maker at bottom right of page 1.

Design 420, Dec. 1983, p. 47, Rowenta Split Level Espressoat Drinks Brewer.

Primary Examiner—Winifred E. Herrmann

[57] CLAIM

The ornamental design for a coffeemaker, as shown and described.

DESCRIPTION

FIG. 1 is a perspective view of a coffeemaker embodying our new design;

FIG. 2 is a front elevational view thereof;

FIG. 3 is a side elevational view showing the side opposite to that shown in FIG. 1;

FIG. 4 is a top plan view thereof;

FIG. 5 is a rear elevational view thereof; and

FIG. 6 is a bottom plan view thereof.

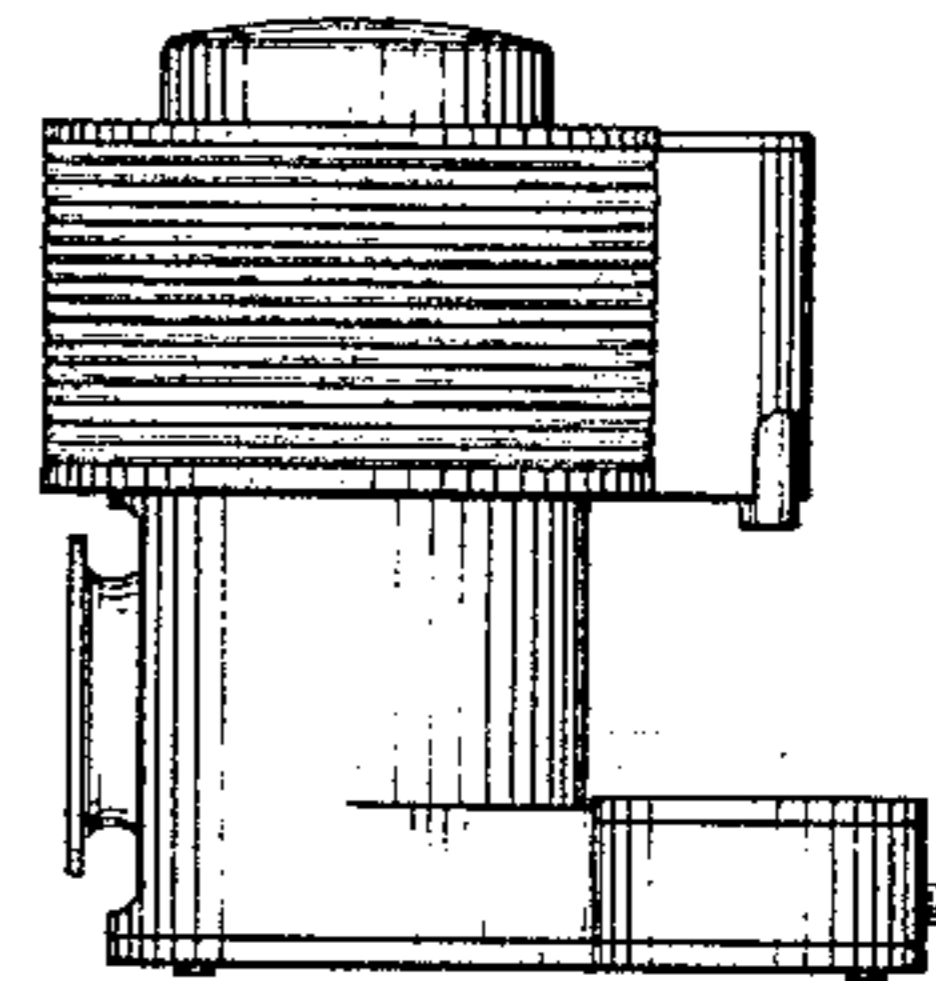
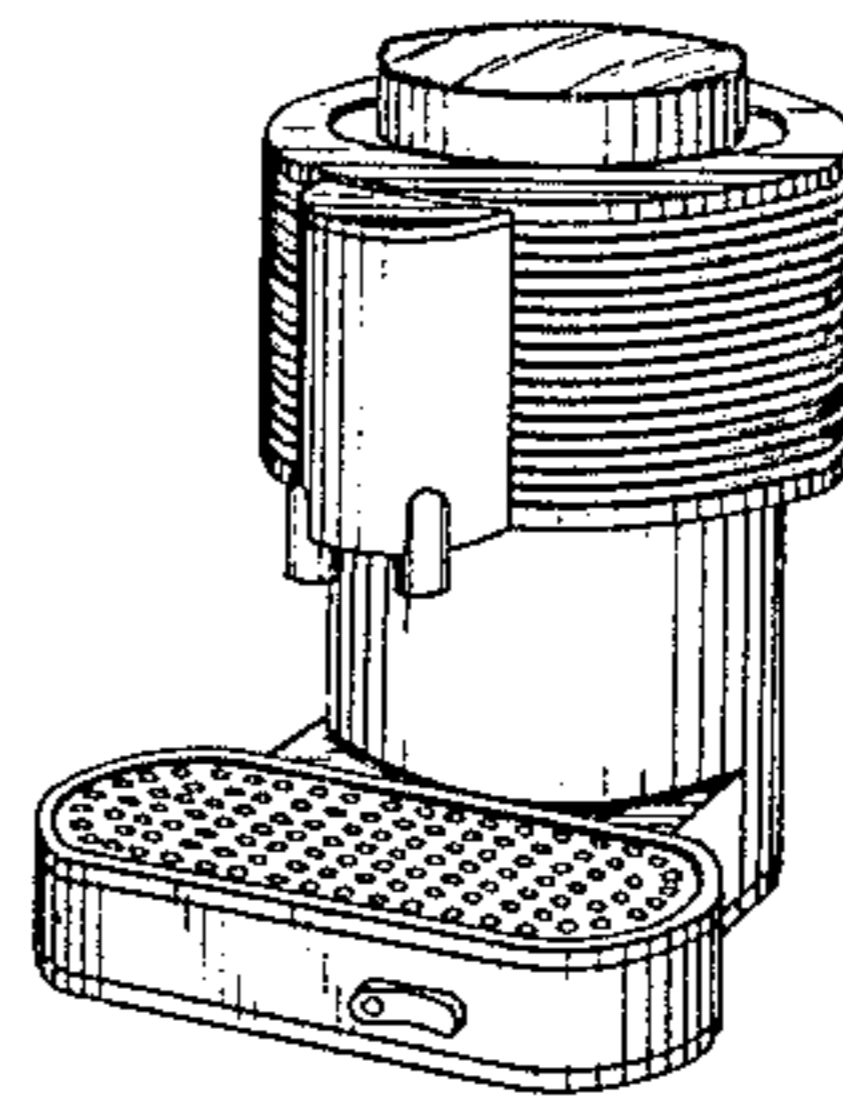
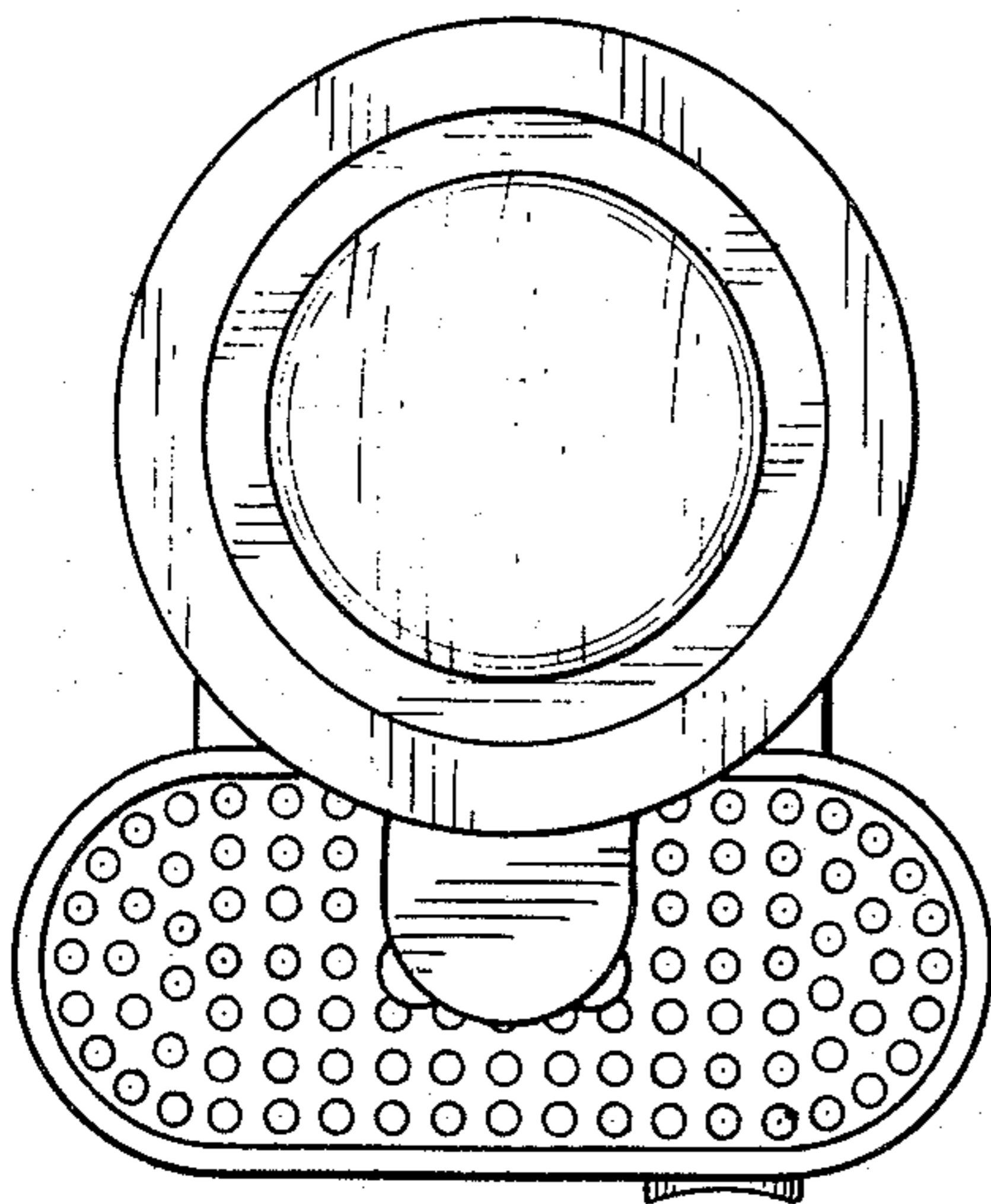


Fig. 1.

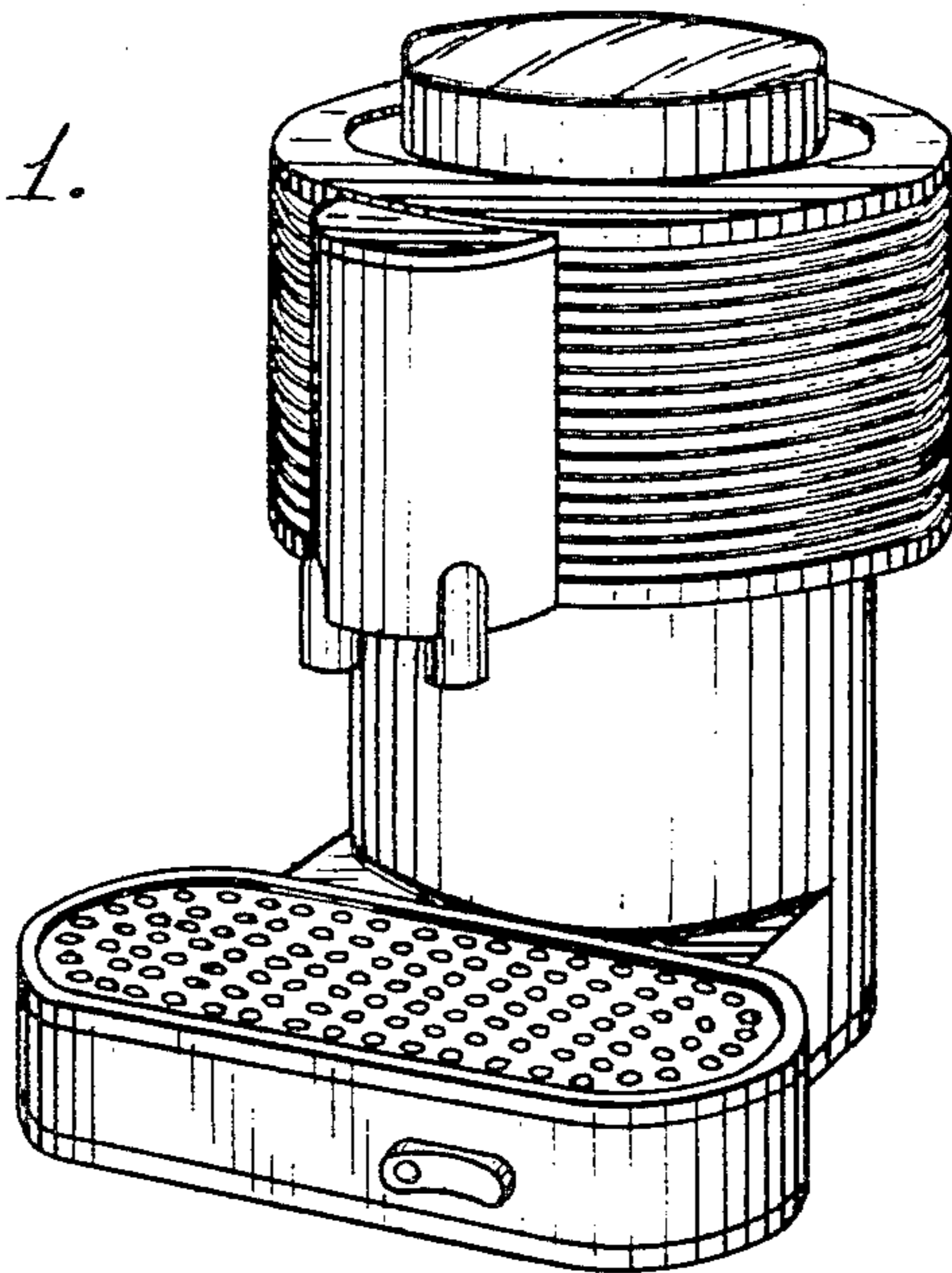


Fig. 2.

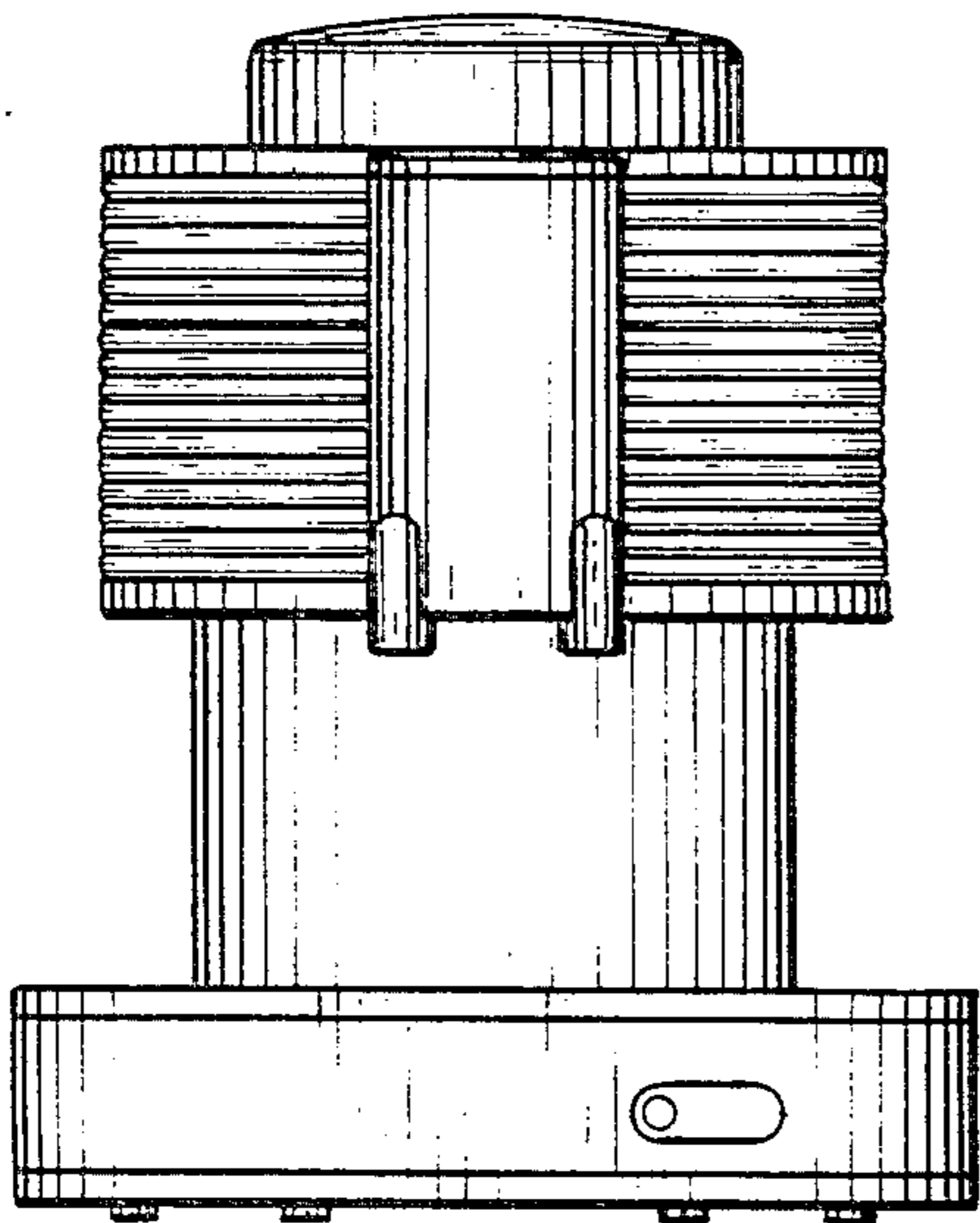


Fig. 3.

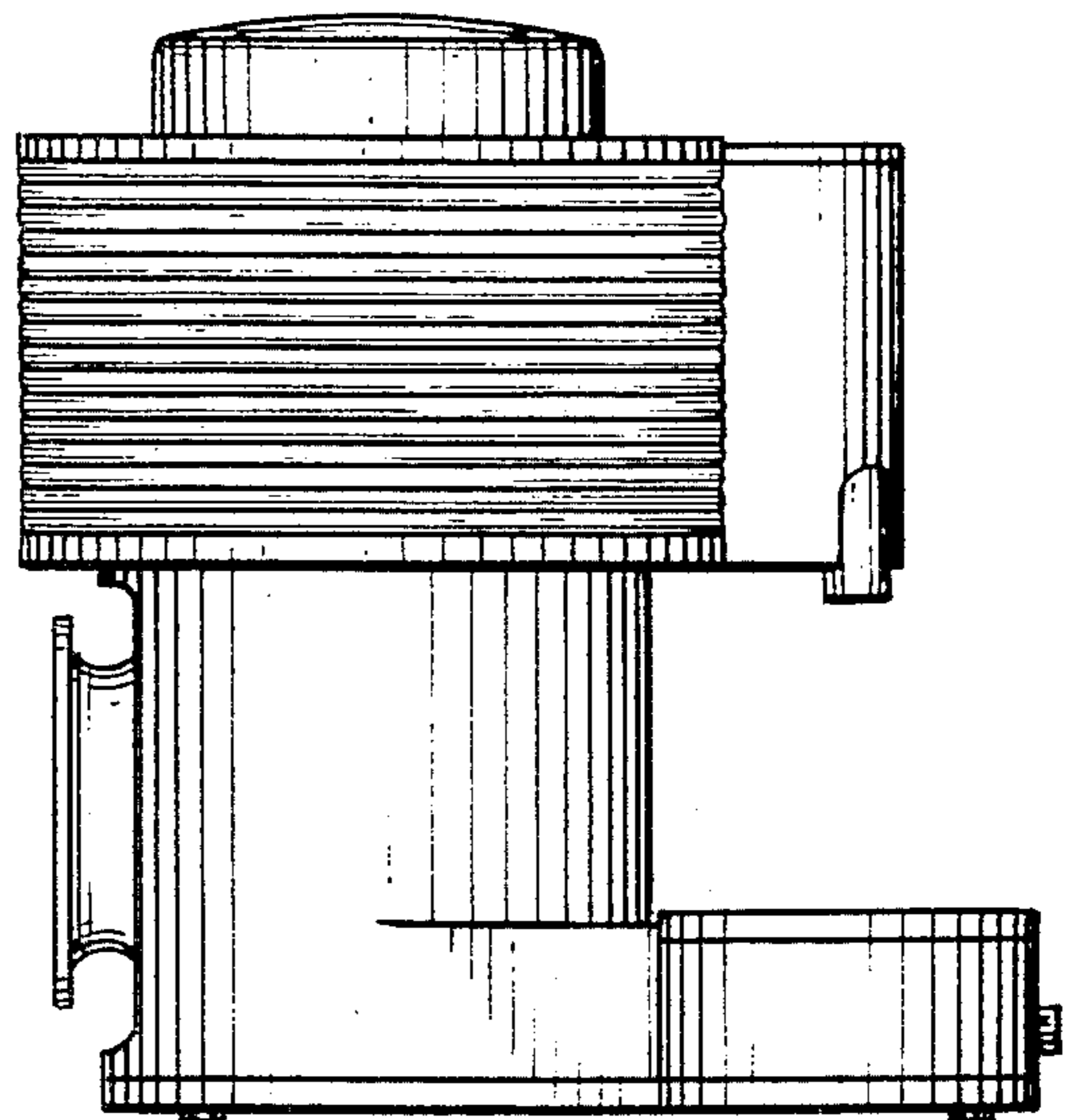


FIG. 4.

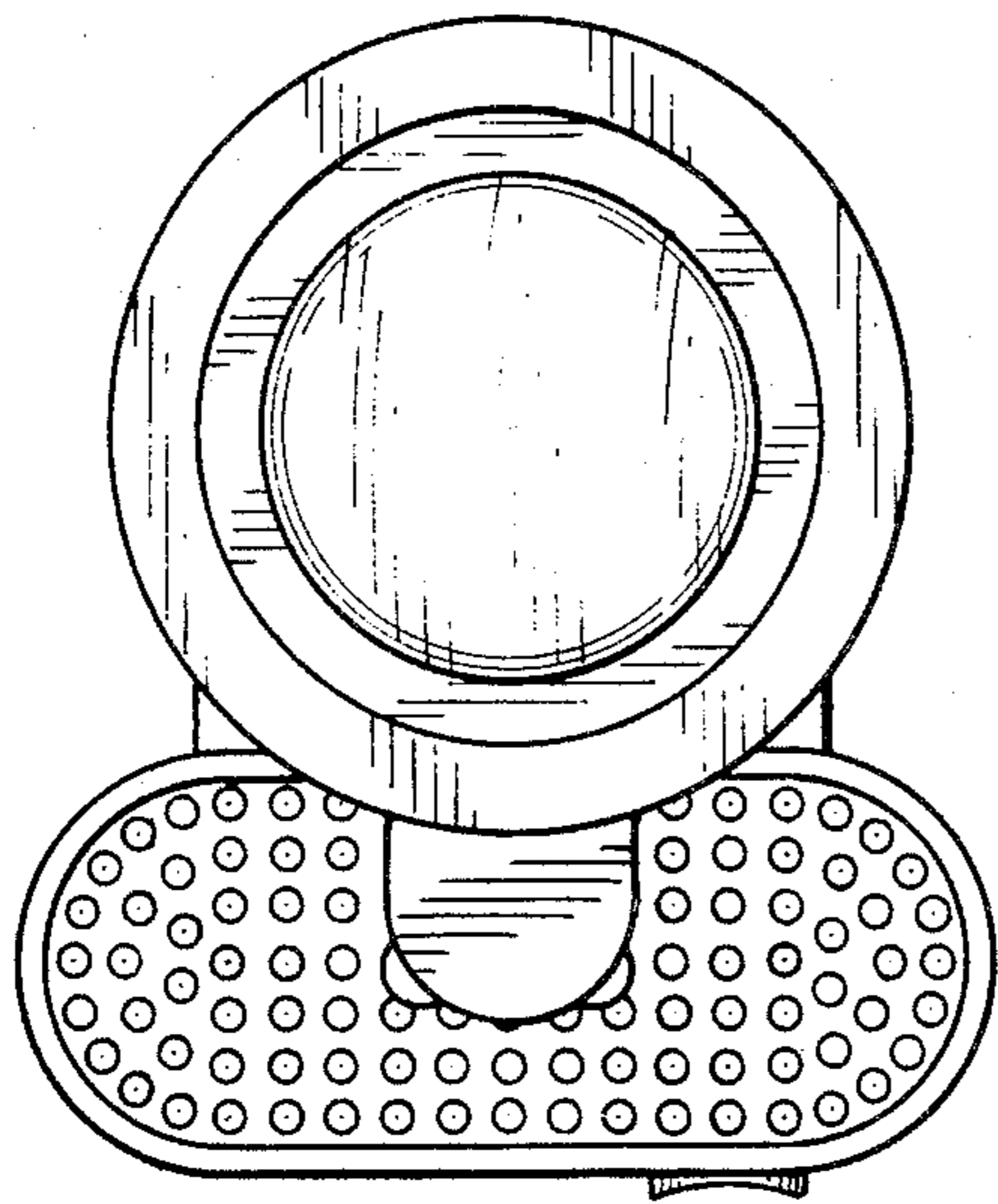


FIG. 5.

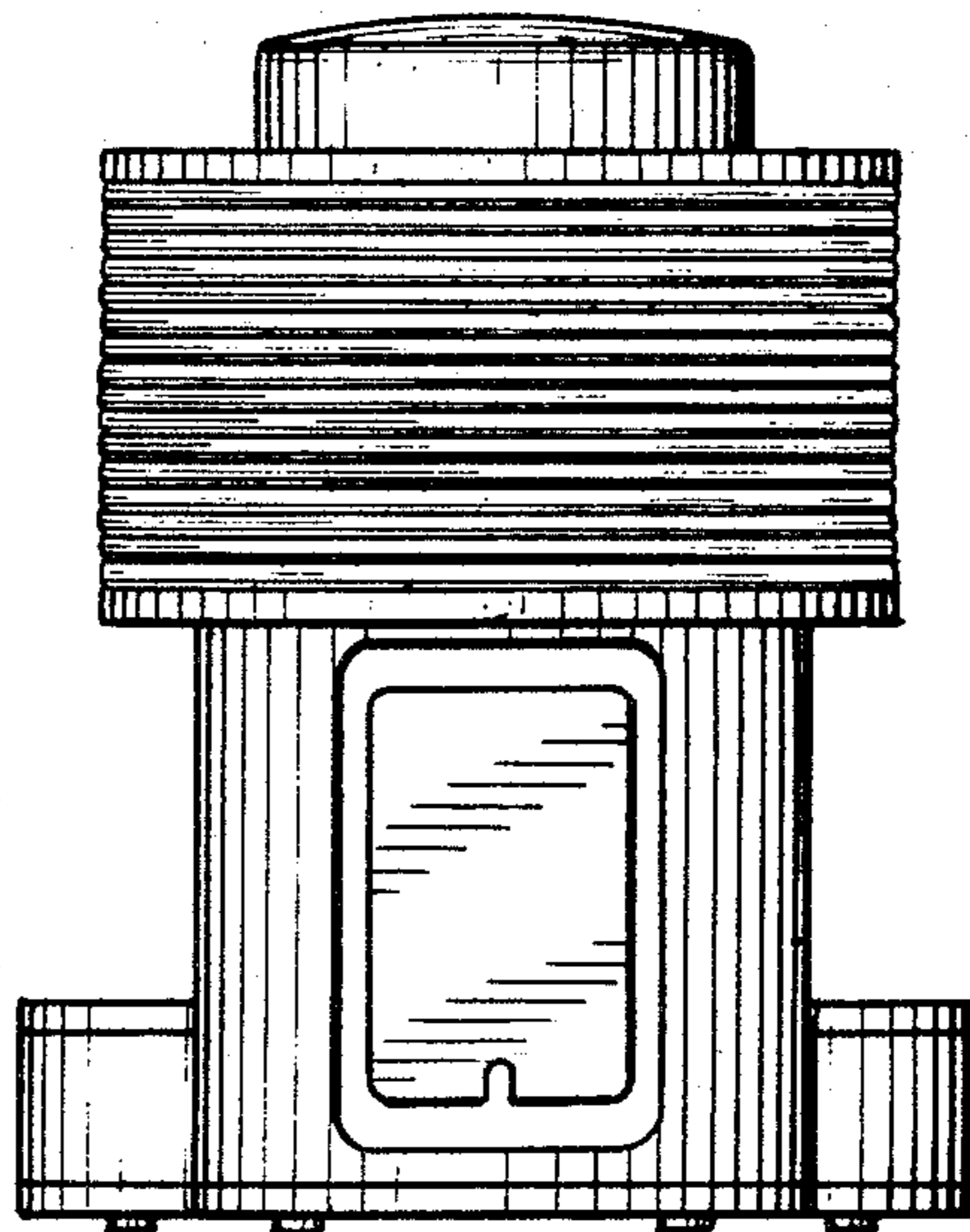


FIG. 6.

