

[54] DISPENSER FOR PAPER ROLL OR THE LIKE

[75] Inventors: Calvin L. Payne, Jr., Atlanta; Brian E. Ingersoll, Marietta; Rickey D. Burns, Atlanta, all of Ga.

[73] Assignee: Kimberly-Clark Corporation, Neenah, Wis.

[**] Term: 14 Years

[21] Appl. No.: 567,706

[22] Filed: Jan. 3, 1984

[52] U.S. Cl. D6/522; D6/578

[58] Field of Search D6/518, 519, 520, 521, D6/522, 523, 553, 559, 561; 206/233, 391, 394; 221/41, 45, 282; 242/55.2, 55.3, 55.42, 55.53, 55.54, 56 R, 56 B; 312/37-39, 40, 42, 242, 245, 278, 279; 225/106, 79

[56] References Cited

U.S. PATENT DOCUMENTS

- D. 212,101 8/1968 Watson D6/523
- D. 255,733 7/1980 Benjamin D6/522

- 2,117,375 5/1938 Steiner .
- 2,125,754 8/1938 Steiner .
- 2,206,979 7/1940 Steiner .
- 2,487,763 11/1949 Patterson et al. 242/55.53
- 2,668,022 2/1954 Fairfield .
- 2,737,353 3/1956 Banks, Jr. .
- 3,190,520 6/1965 Wyant .
- 3,418,029 12/1968 Wooster 242/55.2
- 3,843,218 10/1974 Krueger et al. 242/55.53
- 3,986,677 10/1976 Ootaki et al. .

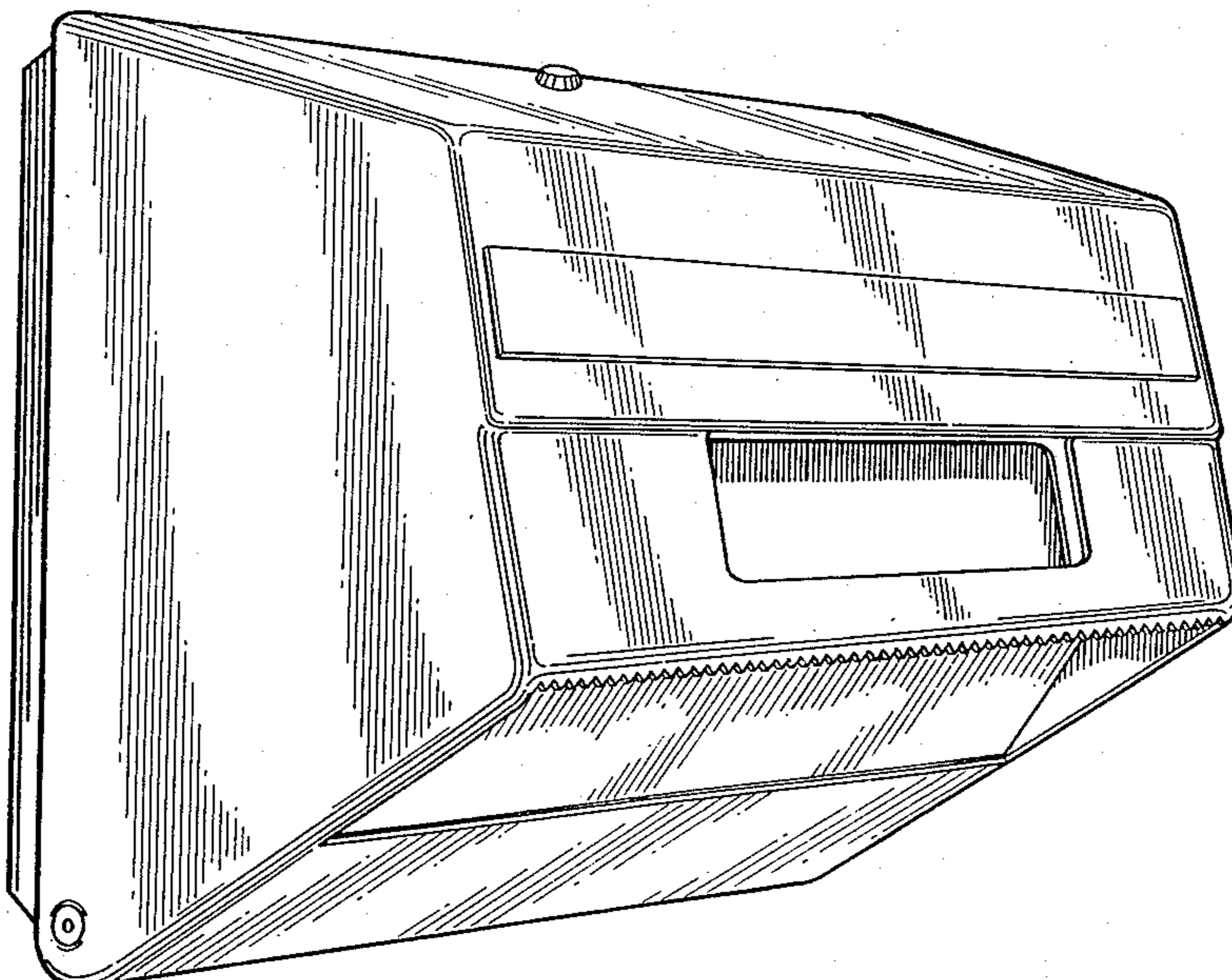
Primary Examiner—B. J. Bullock
Attorney, Agent, or Firm—William D. Herrick

[57] CLAIM

The ornamental design for a dispenser for paper roll or the like, as shown and described.

DESCRIPTION

FIG. 1 is a perspective view of a dispenser for paper roll or the like showing our new design;
FIG. 2 is a reduced side elevational view taken from the left of FIG. 1;
FIG. 3 is a reduced top plan view thereof;
FIG. 4 is a reduced front elevational view thereof.
The undisclosed rear is plain and unornamented.



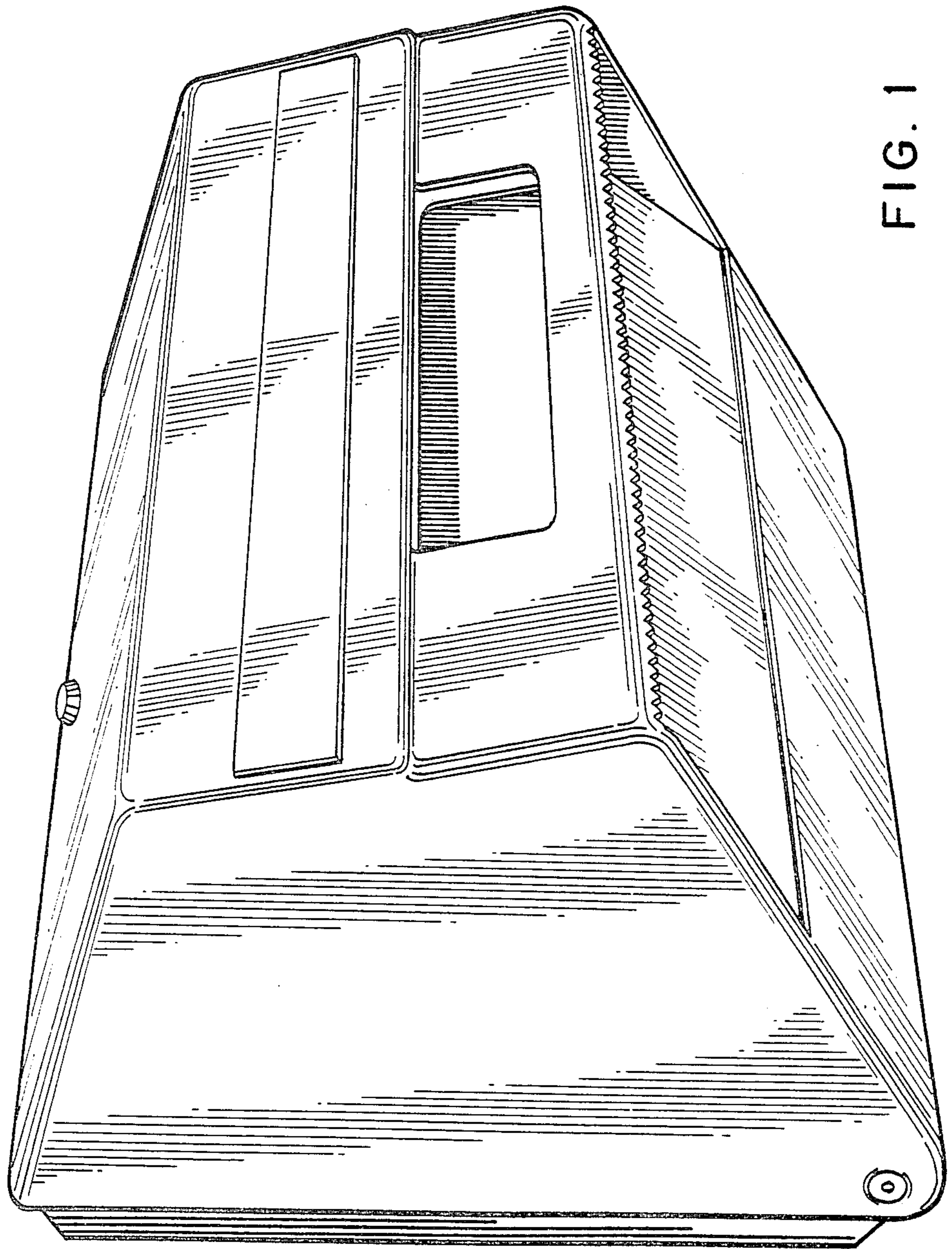


FIG. 1

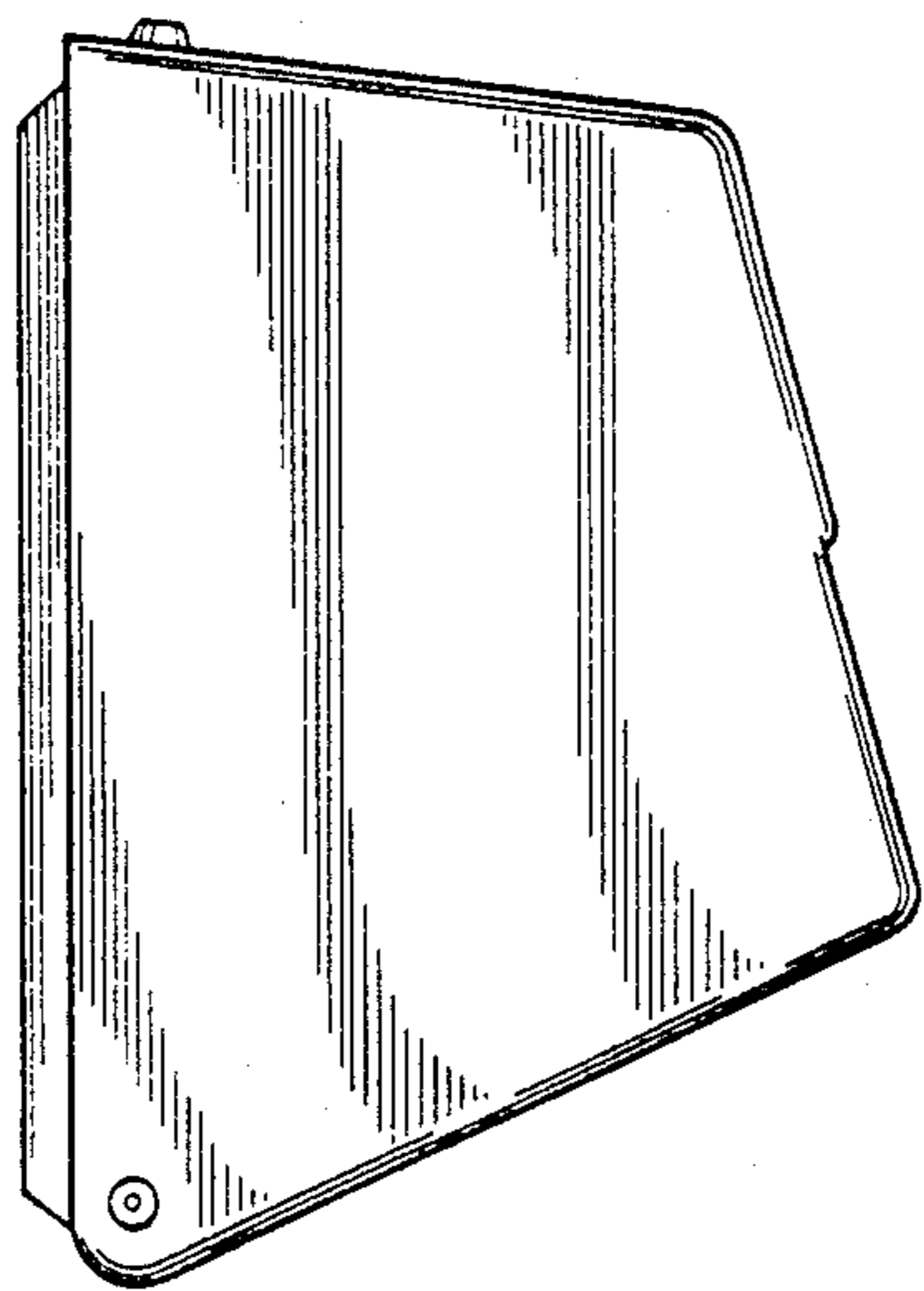


FIG. 2

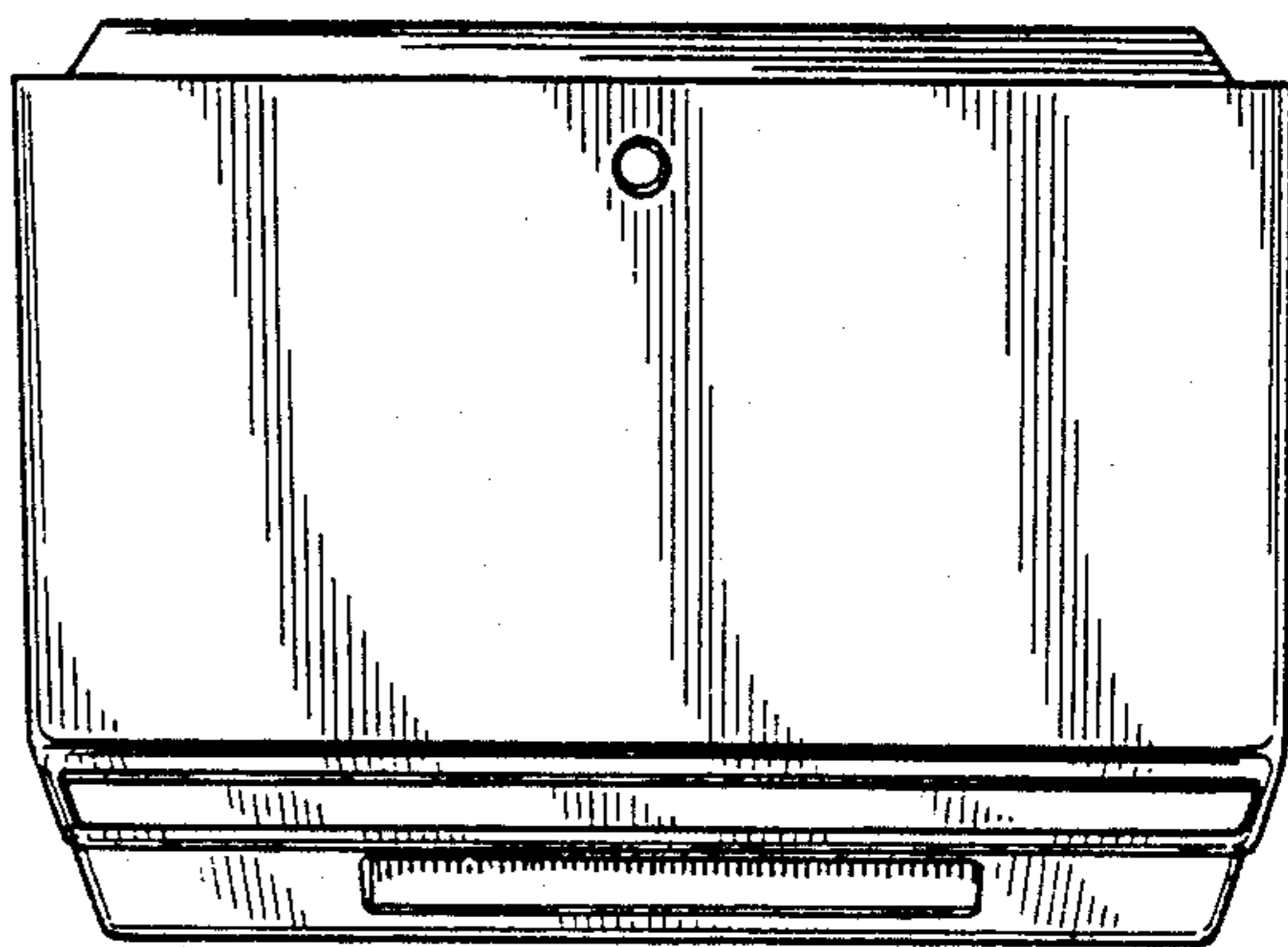


FIG. 3

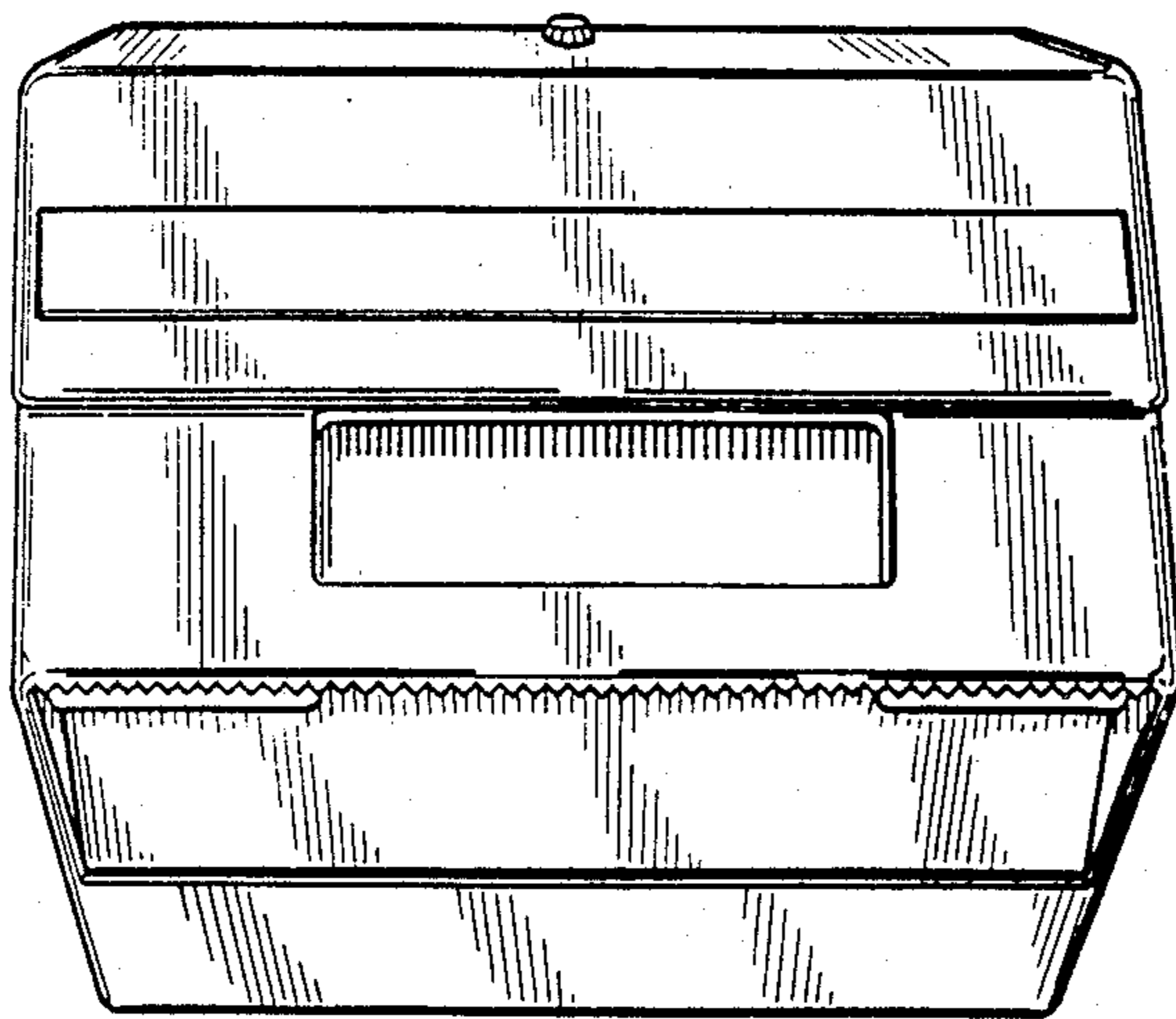


FIG. 4