

[54] STORAGE SHELF

[75] Inventors: Ralf P. Maroney; Gregory A. Fishkind, both of Milford, Conn.

[73] Assignee: Plug-In Storage Systems, Inc., Milford, Conn.

[**] Term: 14 Years

[21] Appl. No.: 634,264

[22] Filed: Jul. 25, 1984

[52] U.S. Cl. D6/511

[58] Field of Search D6/473, 474, 475, 476, D6/477, 478, 479, 458, 462, 465, 509, 511; 211/153, 186, 187, 188

[56] References Cited

U.S. PATENT DOCUMENTS

D. 185,801	8/1959	Maslow	D6/511
D. 207,041	2/1967	Goldstein et al.	D6/511
D. 275,434	9/1984	Taub	D6/511
D. 282,991	3/1986	Wellington	D6/511
3,927,769	12/1975	Maslow	211/153
4,463,684	8/1984	Klungle et al.	D6/511 X
4,467,927	8/1984	Nathan	211/153

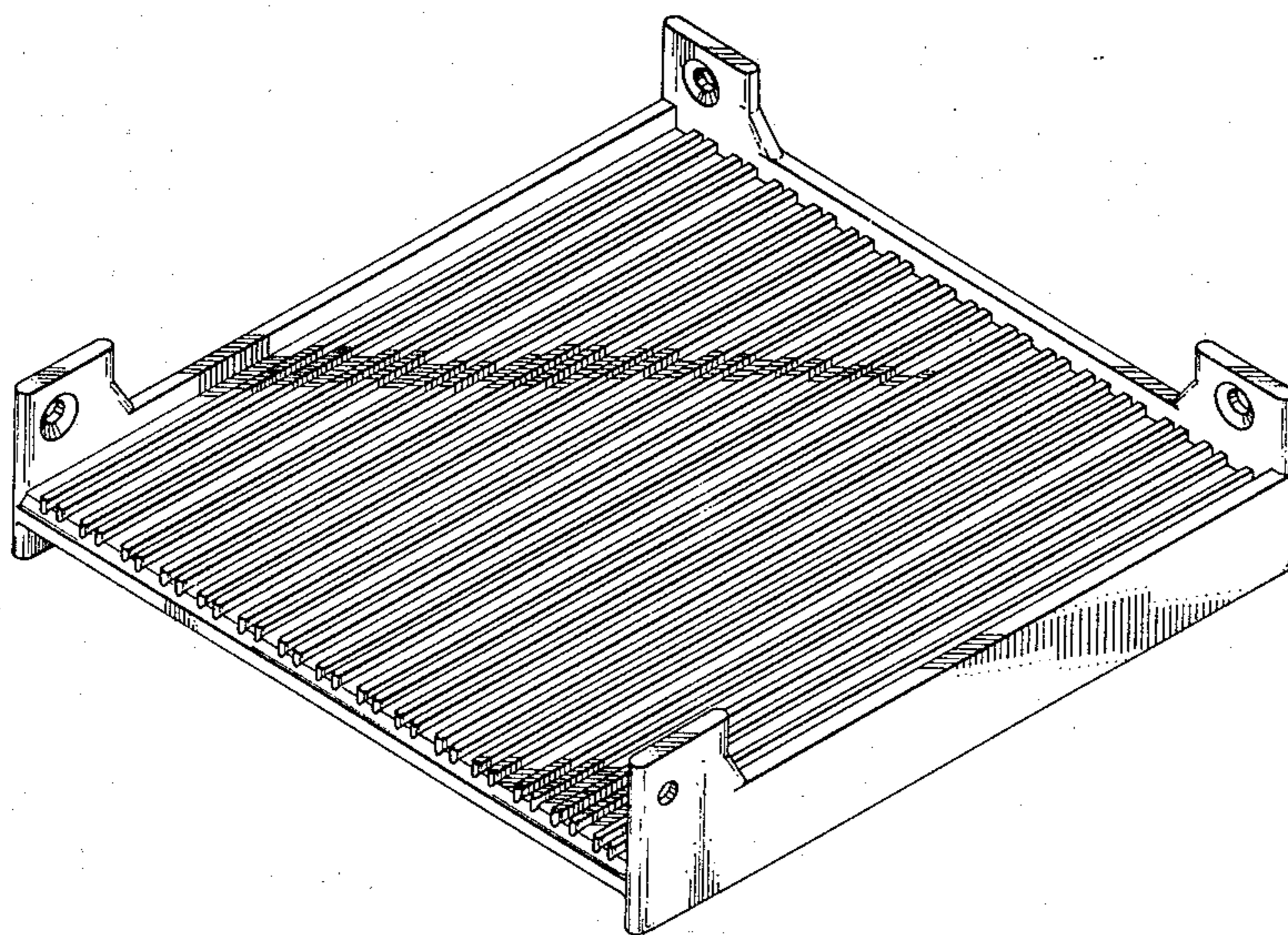
Primary Examiner—Bruce W. Dunkins
Attorney, Agent, or Firm—Kramer and Brufsky

[57] CLAIM

The ornamental design for a storage shelf, as shown and described.

DESCRIPTION

FIG. 1 is a front perspective view of the storage shelf of the present invention;
 FIG. 2 is a top plan view of the storage shelf of FIG. 1;
 FIG. 3 is a front view in elevation of the storage shelf of FIG. 1;
 FIG. 4 is a side view in elevation of the storage shelf of FIG. 1 as seen from the right hand side of FIG. 1;
 FIG. 5 is a side view in elevation of the storage shelf of FIG. 1 as seen from the left hand side of FIG. 1;
 FIG. 6 is a rear view in elevation of the storage shelf of FIG. 1;
 FIG. 7 is a bottom plan view of the storage shelf of FIG. 1; and
 FIG. 8 is a front perspective view of an alternative embodiment of the storage shelf of the present invention wherein the shelf is more rectangular than square in design, all other features being identical.



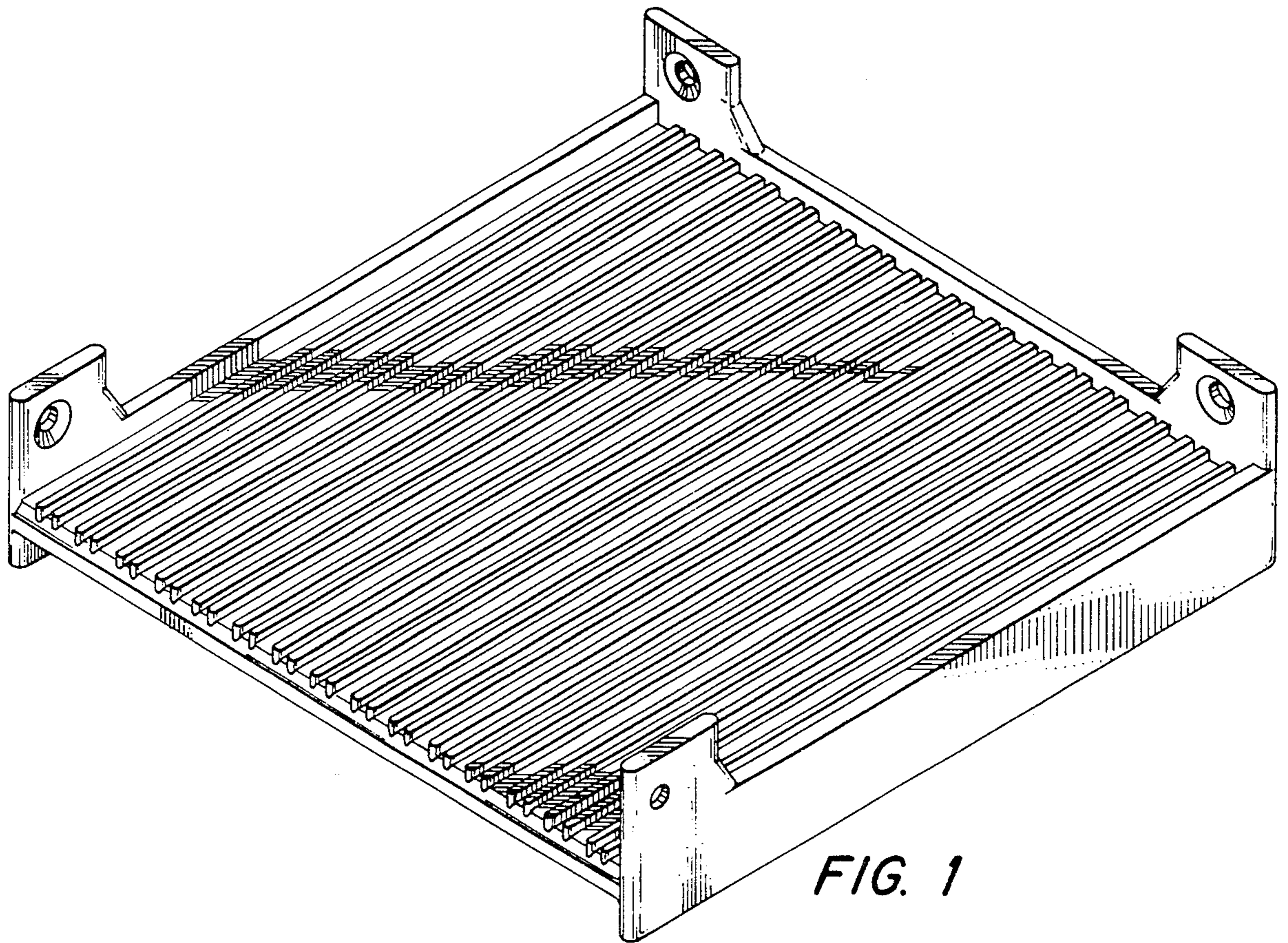


FIG. 1

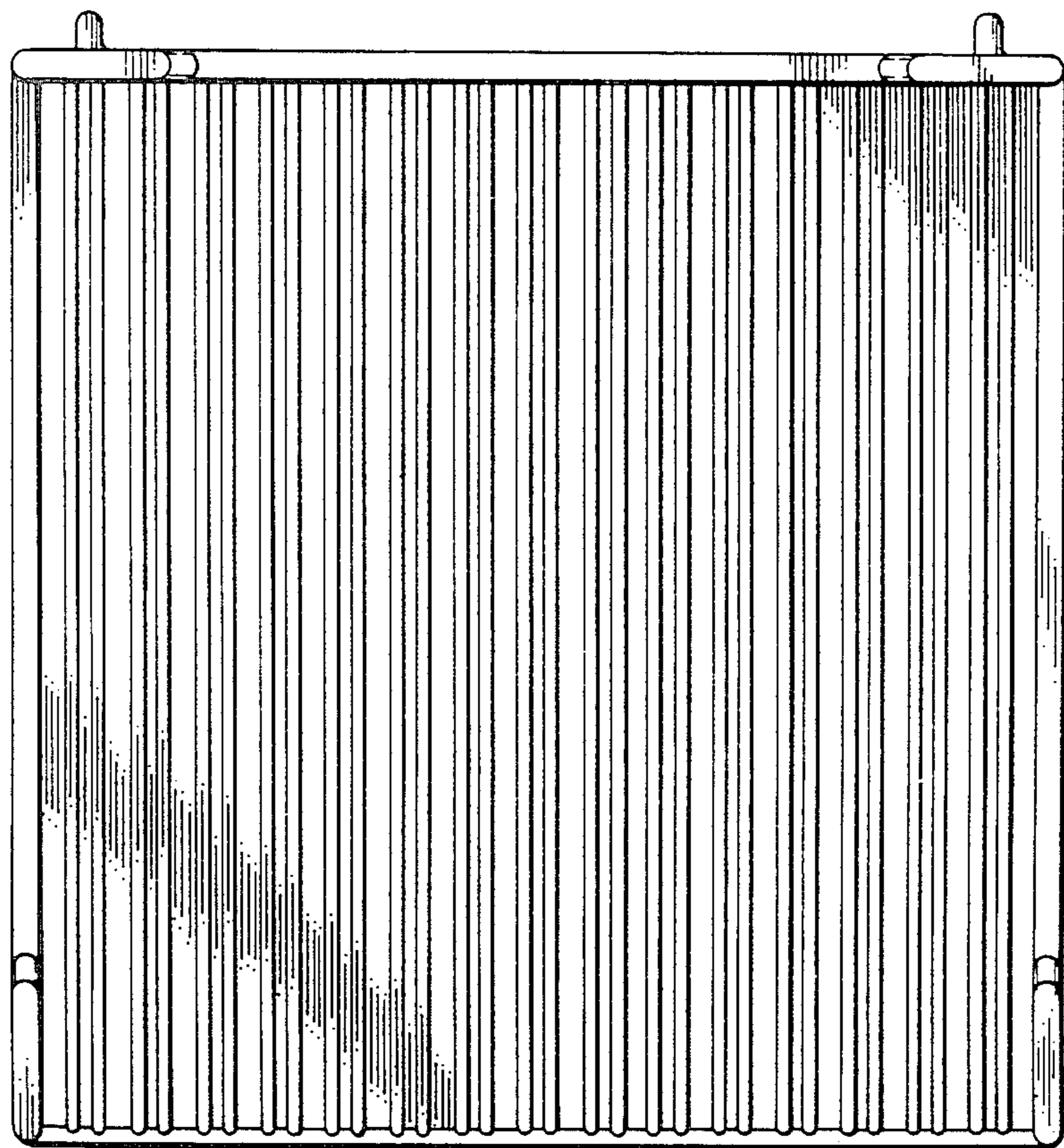


FIG. 2

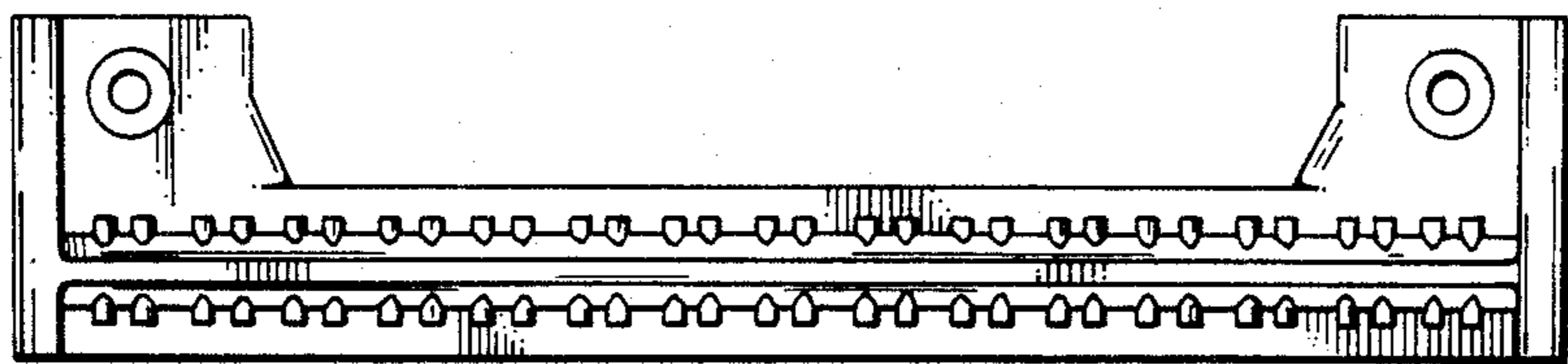


FIG. 3

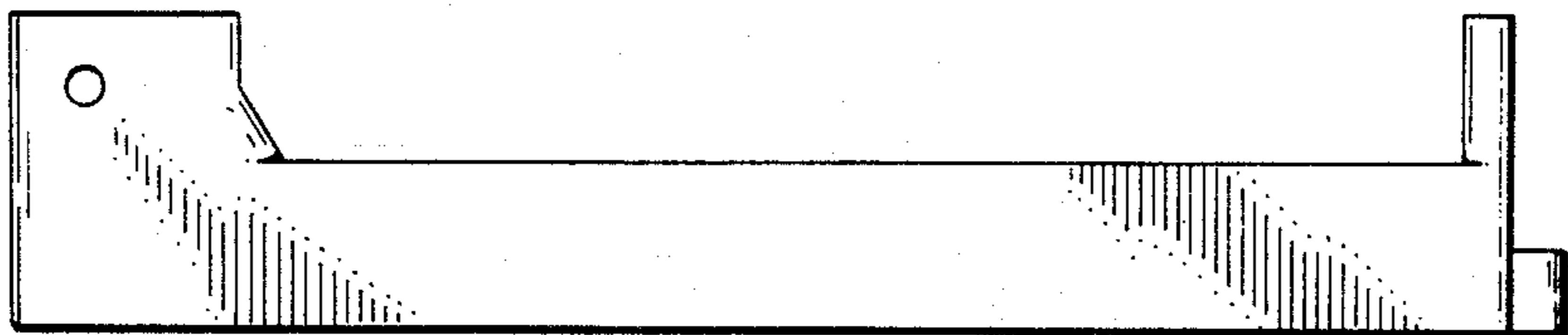


FIG. 4

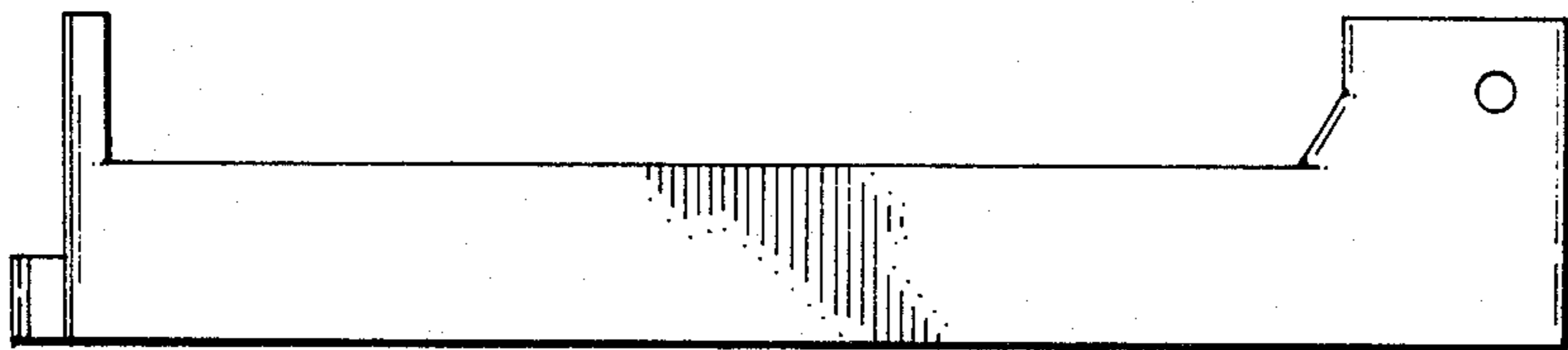


FIG. 5

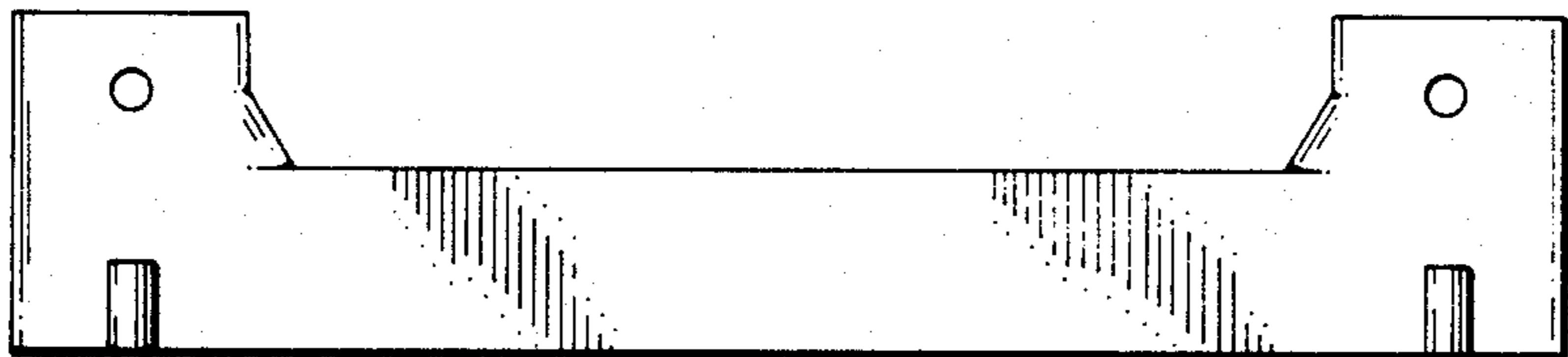


FIG. 6

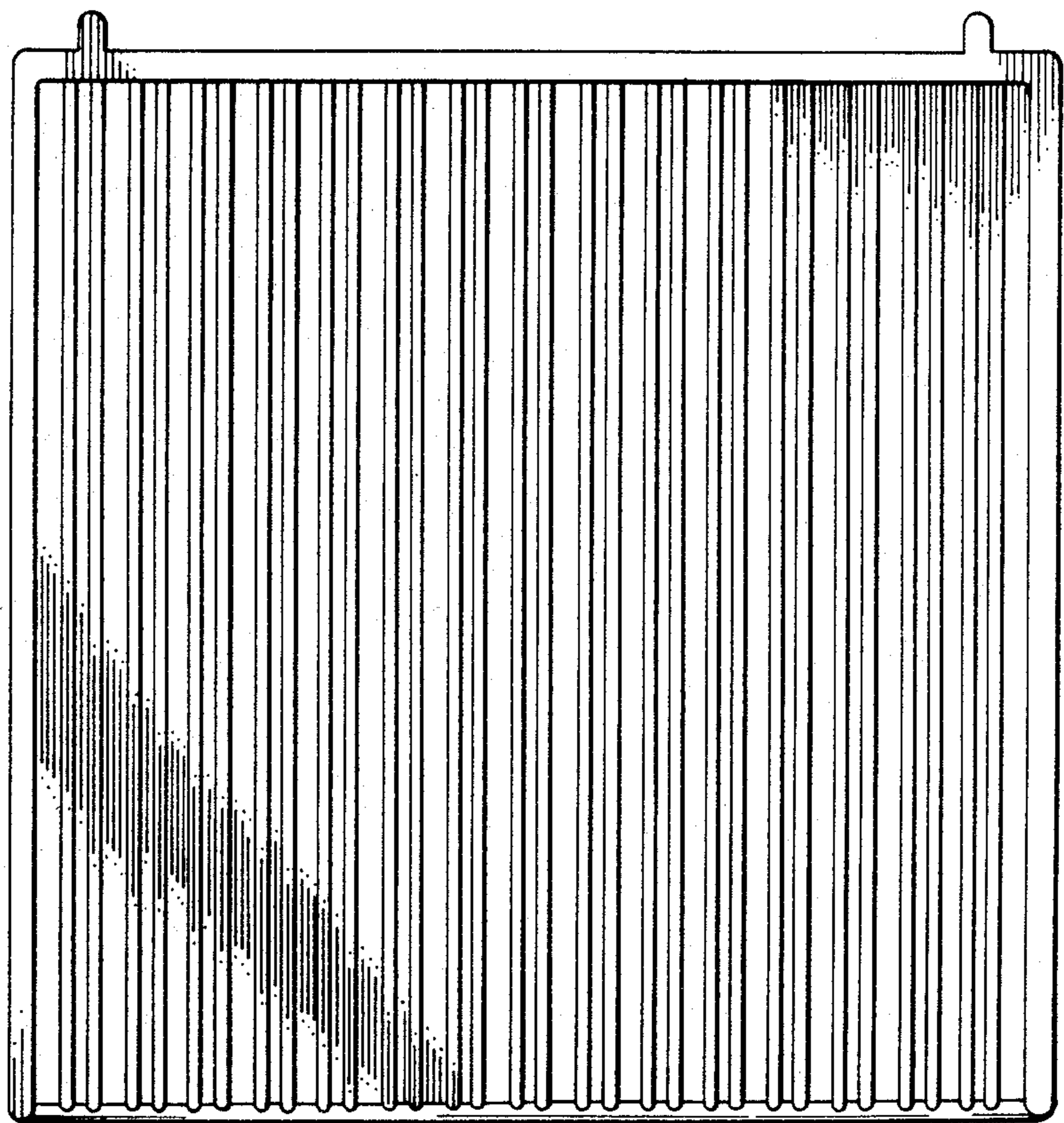


FIG. 7

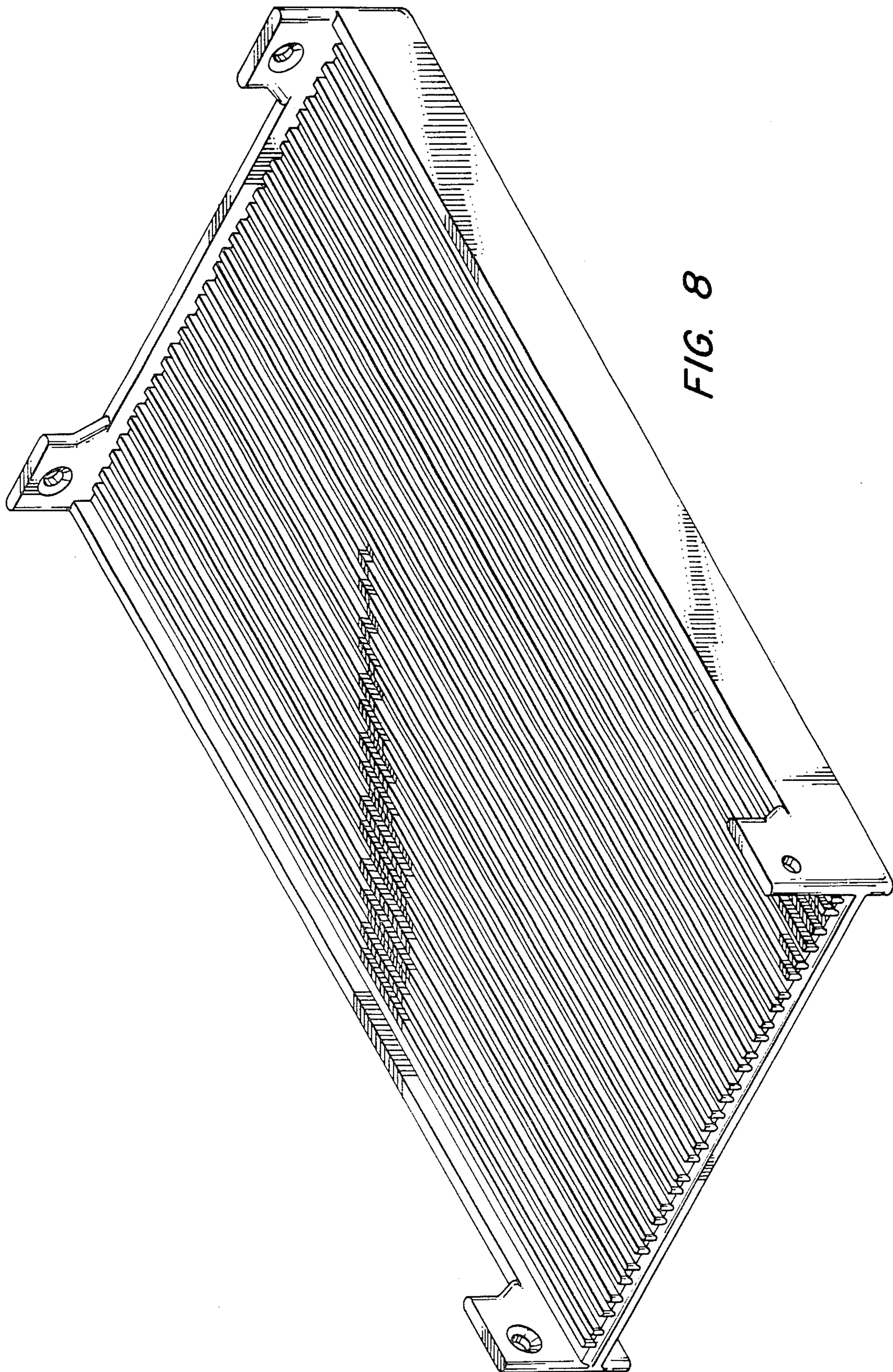


FIG. 8