

[54] TABLE FRAME

[75] Inventor: Robert C. Winzeler, III, Montpelier, Ohio

[73] Assignee: Design Institute America, Inc., Montpelier, Ohio

[**] Term: 14 Years

[21] Appl. No.: 621,603

[22] Filed: Jun. 18, 1984

[52] U.S. Cl. D6/495; D6/483; D6/499

[58] Field of Search D6/449, 451, 461, 462, D6/466, 477, 478, 479, 480, 482, 484, 485, 487, 490, 495

[56] References Cited

U.S. PATENT DOCUMENTS

- D. 145,539 9/1946 Sky D6/483
- D. 185,185 5/1959 Anthon D6/483
- D. 225,291 12/1972 Kastner D6/484
- D. 252,063 6/1979 Montague D6/484

D. 260,210 8/1981 Gibson D6/483

OTHER PUBLICATIONS

Arbitare Magazine supplement, Mar. 1979, p. 15, Table Frame.

Design Institute of America, Table section, Table No. 164-7; 179-3.

Primary Examiner—Bruce W. Dunkins

Attorney, Agent, or Firm—Marshall & Melhorn

[57] CLAIM

The ornamental design for a table frame, as shown and described.

DESCRIPTION

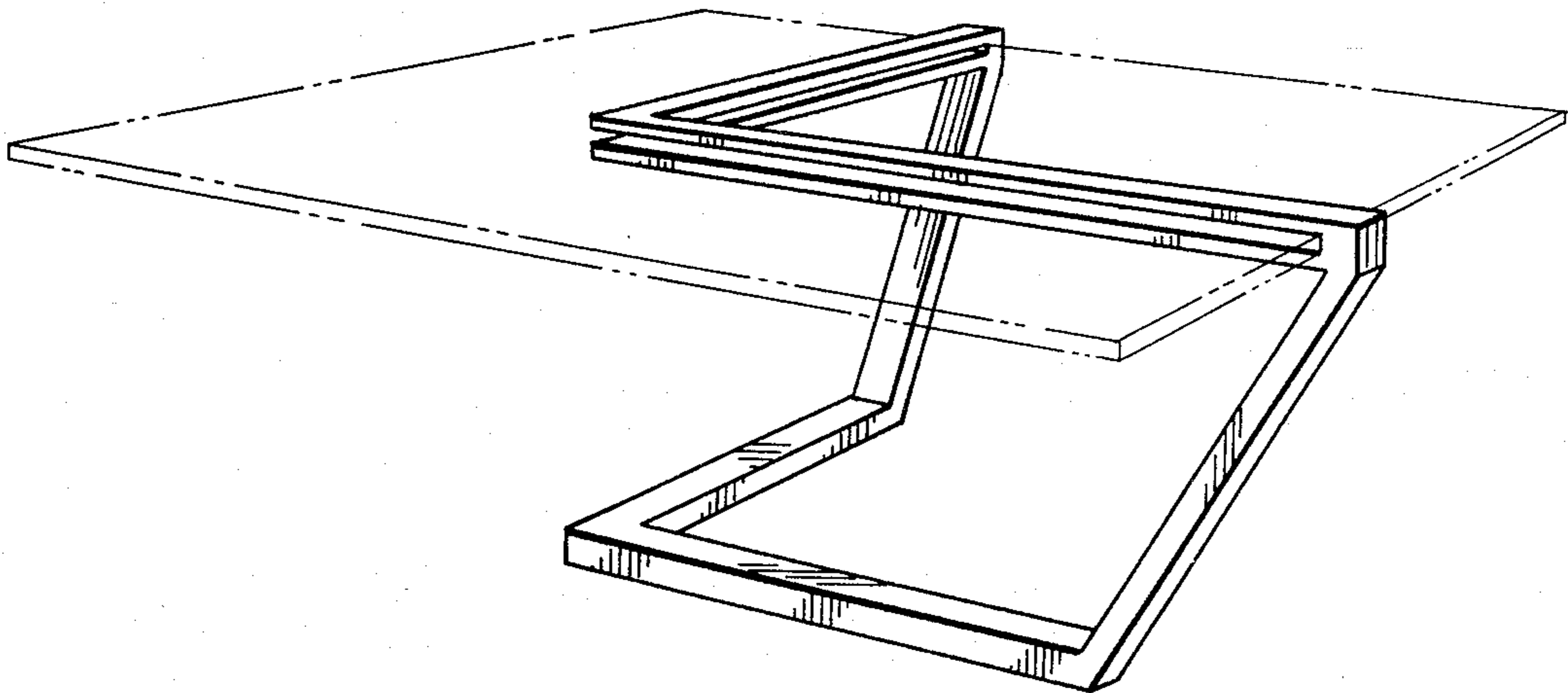
FIG. 1 is a perspective view of a table frame embodying my new design;

FIG. 2 is a top plan view thereof;

FIG. 3 is a front elevational view taken from the left-hand side of FIG. 2; and

FIG. 4 is a rear elevational view thereof.

The dotted lines indicating a table top in FIGS. 1 and 2 have been shown for illustrative purposes only.



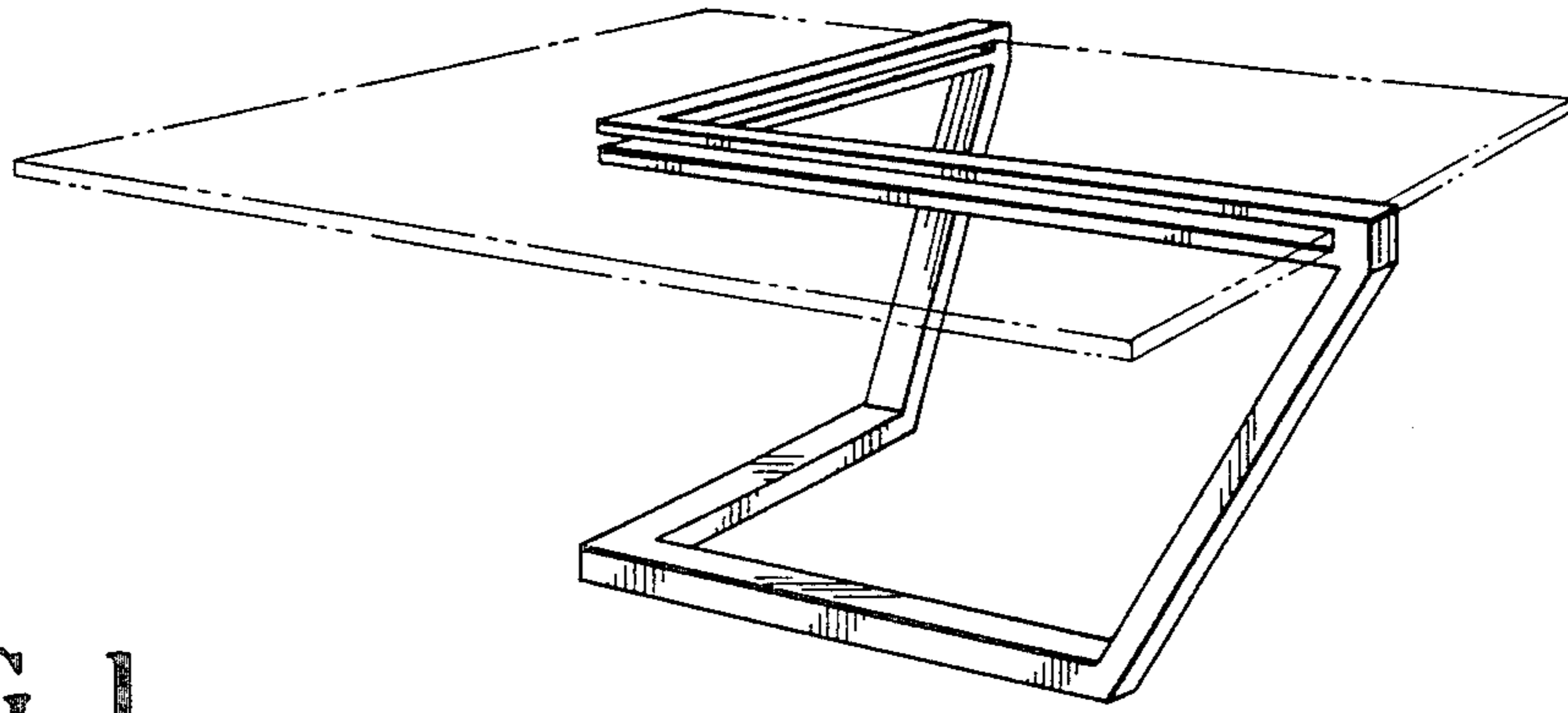


FIG. 1

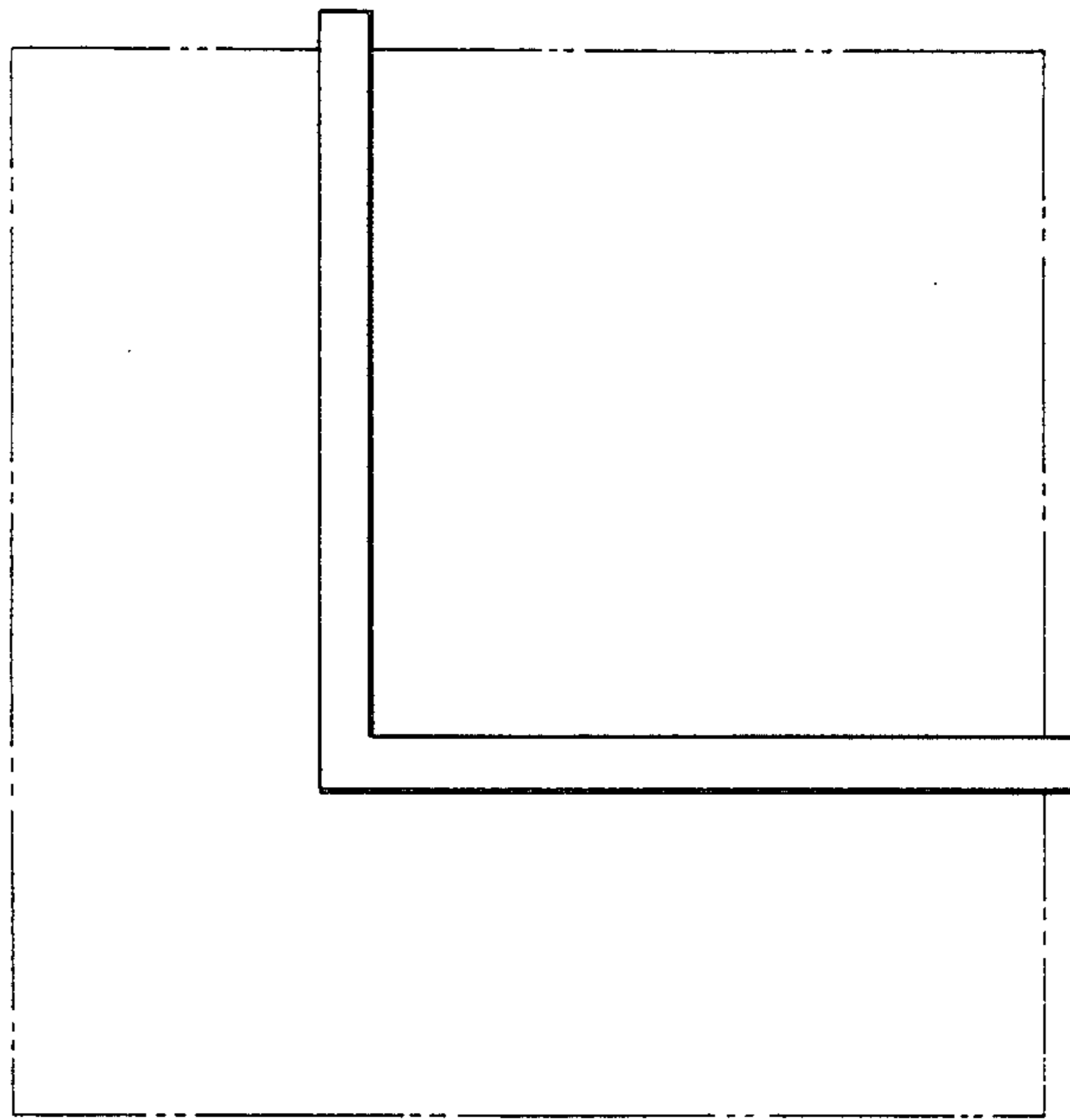


FIG. 2

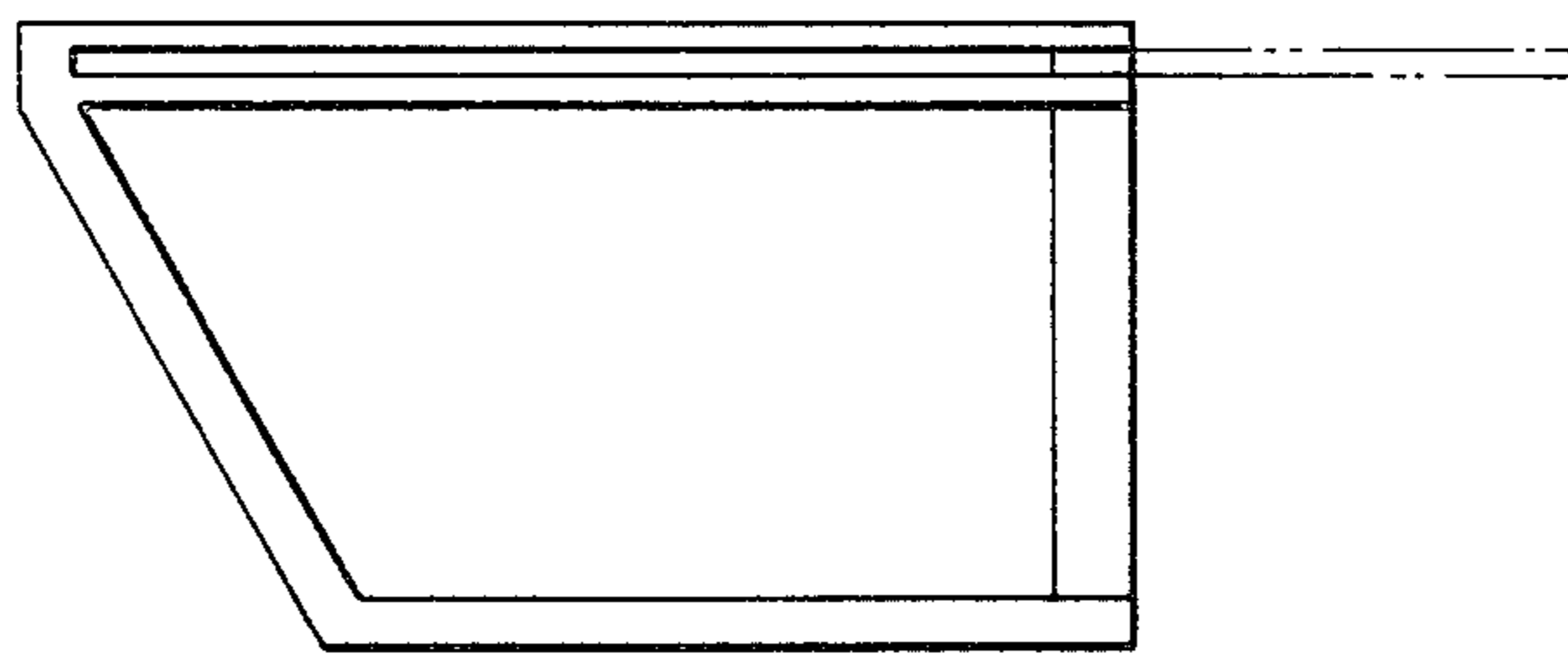


FIG. 3

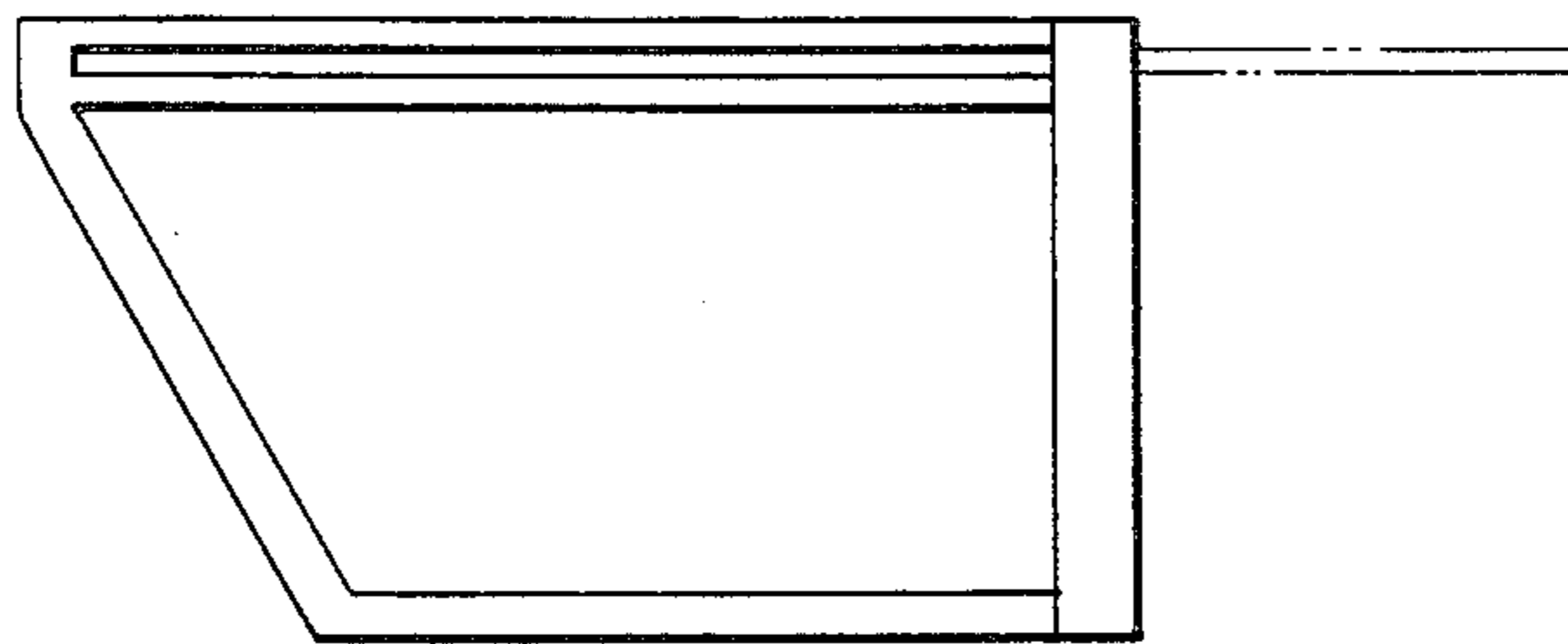


FIG. 4