

[54] **HAND REST**

[76] Inventor: **Bennett F. Dunnington, R.R. 2, Box 198E, Iowa City, Iowa 52240**

[**] Term: **14 Years**

[21] Appl. No.: **636,394**

[22] Filed: **Jul. 31, 1984**

[52] U.S. Cl. **D6/491; D6/501**

[58] Field of Search **D6/491, 501, 511, 509**

[56] **References Cited**

U.S. PATENT DOCUMENTS

- D. 238,488 1/1976 Vinson D6/501
- D. 265,729 8/1982 Rexroat D6/501
- D. 280,166 8/1985 Bromley D6/511

OTHER PUBLICATIONS

Biotec Systems brochure, Feb. 1982, Wrist Support bottom left.

Primary Examiner—Bruce W. Dunkins
Attorney, Agent, or Firm—Seed and Berry

[57] **CLAIM**

The ornamental design for a hand rest, substantially as shown and described.

DESCRIPTION

FIG. 1 is a perspective view of a hand rest showing my design;

FIG. 2 is a top plan view of the hand rest of FIG. 1;

FIG. 3 is a front elevation view of the hand rest of FIG. 1;

FIG. 4 is a bottom plan view of the hand rest of FIG. 1;

FIG. 5 is a rear elevation view of the hand rest of FIG. 1;

FIG. 6 is a side elevation view of the hand rest of FIG. 1, the opposite side being a mirror image thereof;

FIG. 7 is a perspective view of a hand rest showing a second embodiment of my design;

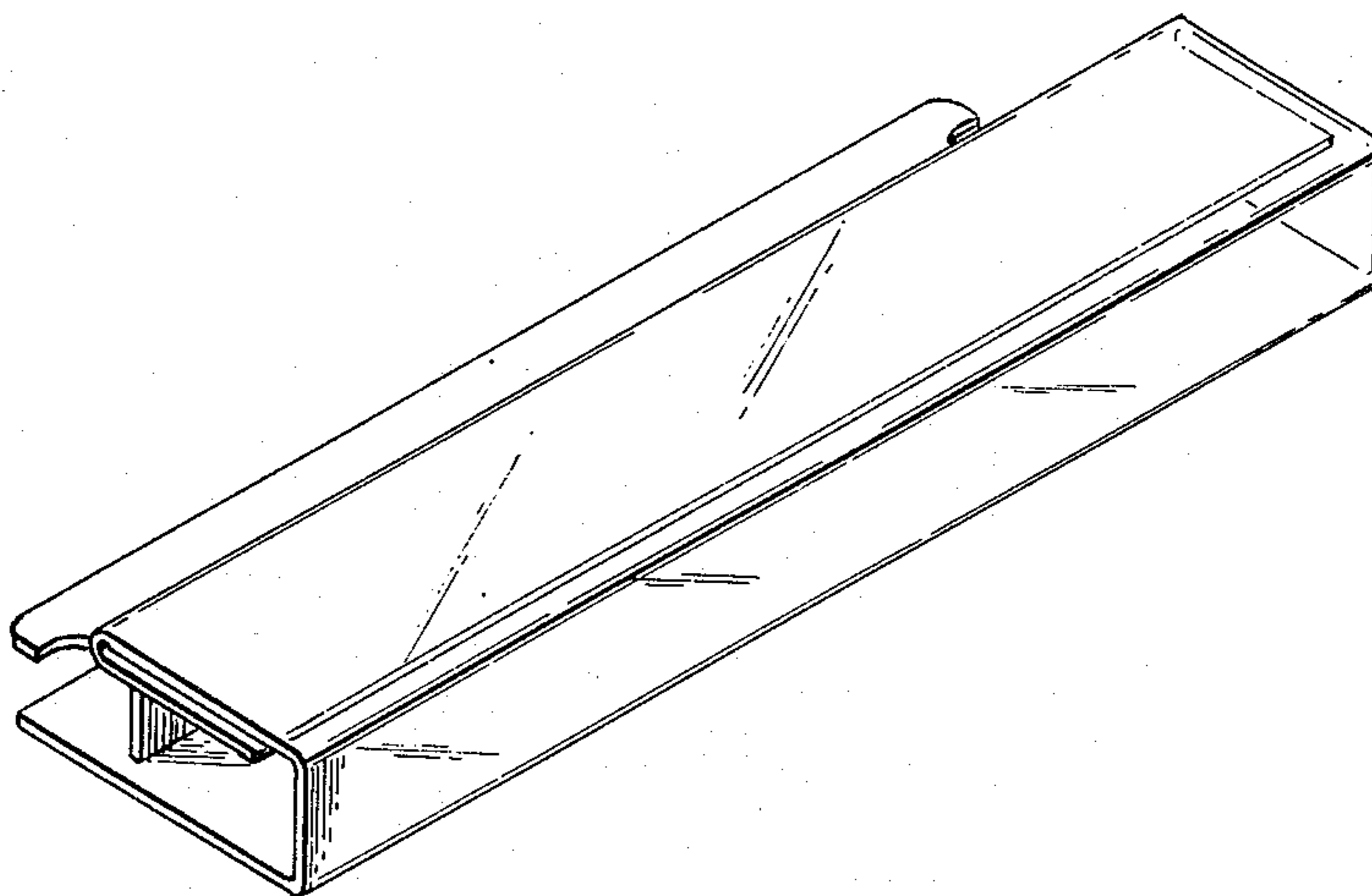
FIG. 8 is a top plan view of the hand rest of FIG. 7 with part of the top member broken away to show details of the member below;

FIG. 9 is a front elevation view of the hand rest of FIG. 7;

FIG. 10 is a bottom plan view of the hand rest of FIG. 7;

FIG. 11 is a rear elevation view of the hand rest of FIG. 7;

FIG. 12 is a side elevation view of the hand rest of FIG. 7, the opposite side being a mirror image thereof.



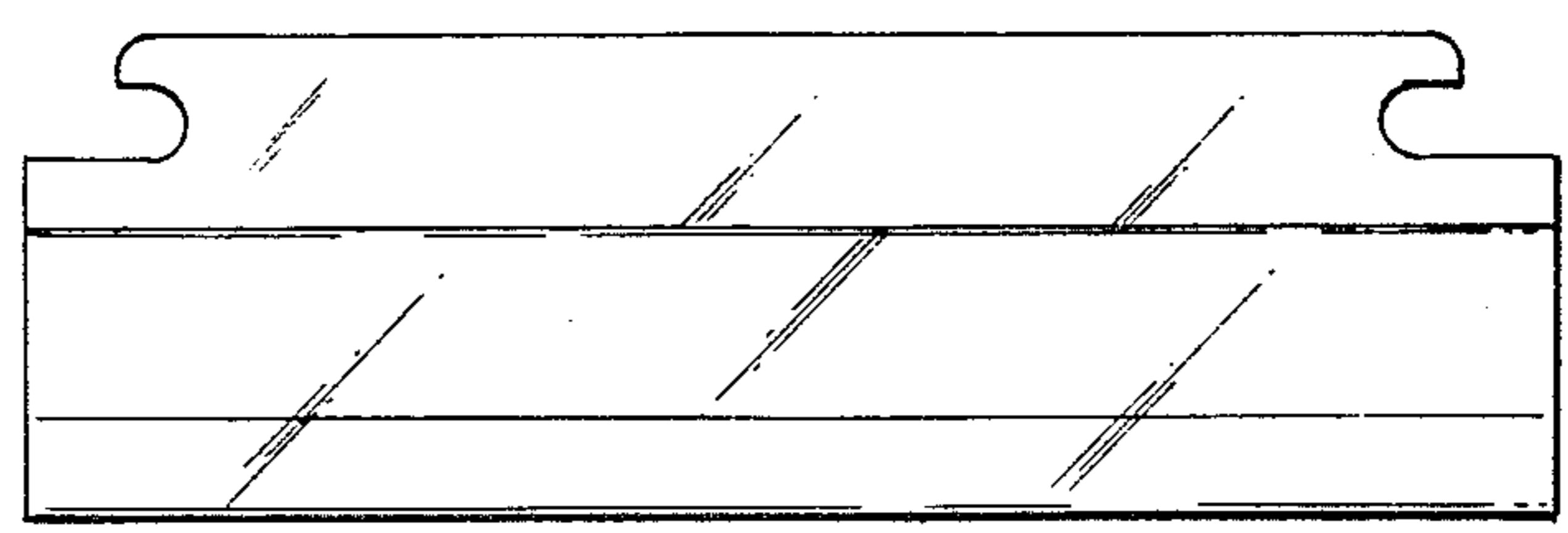
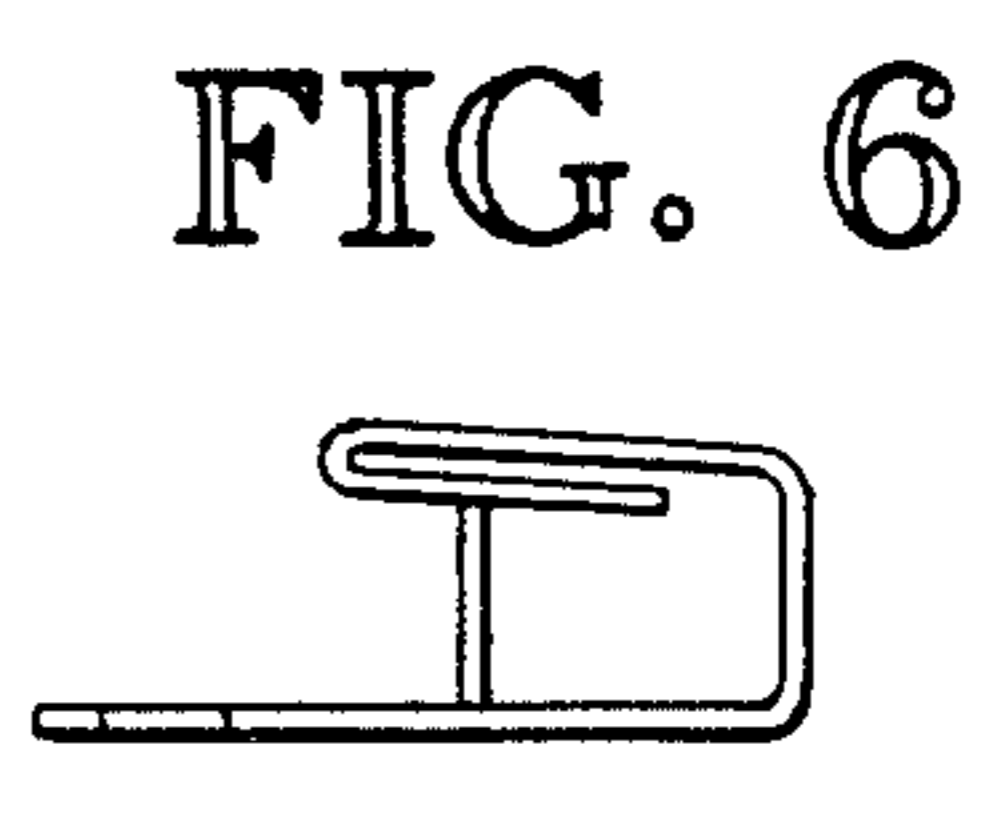
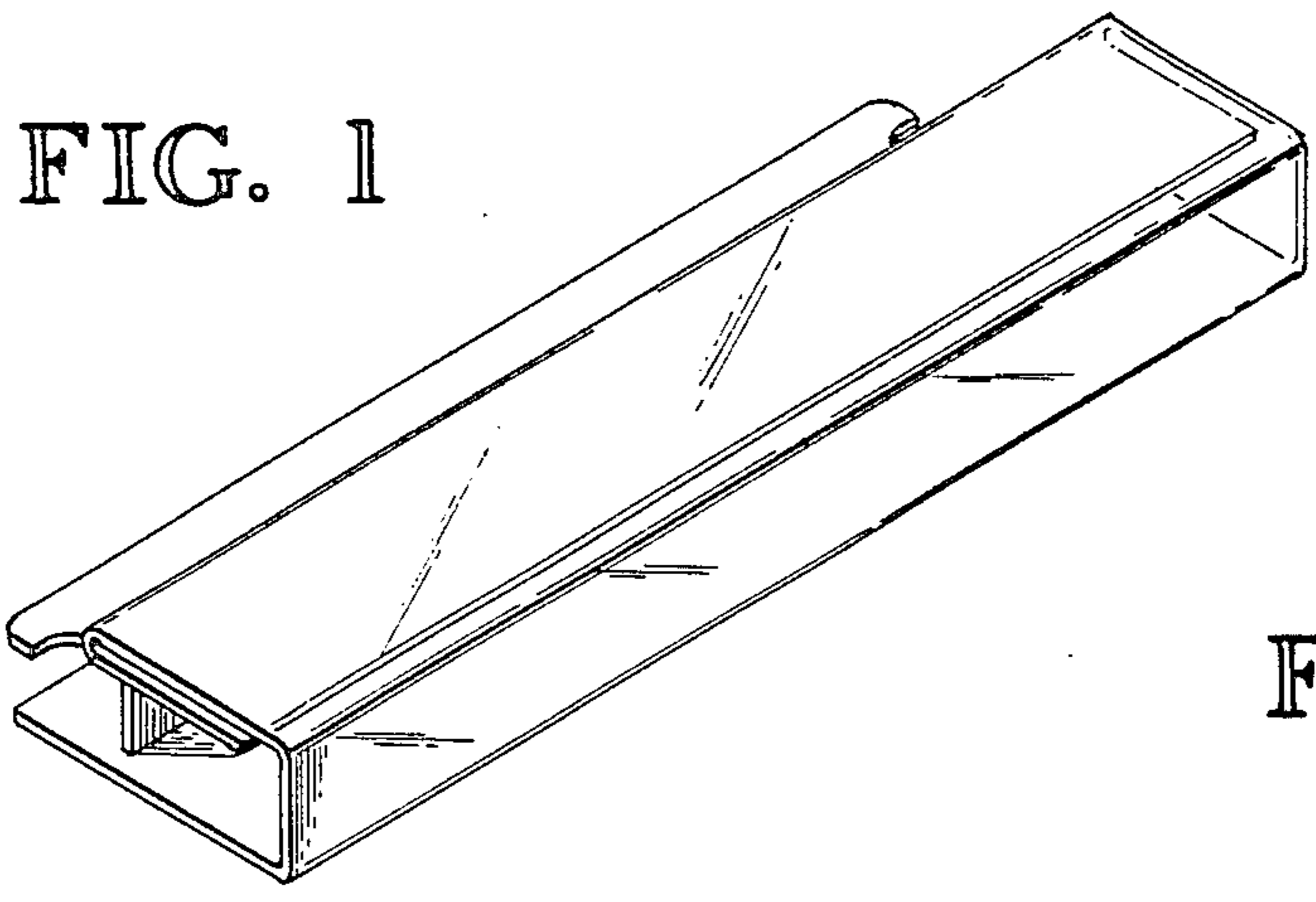


FIG. 2

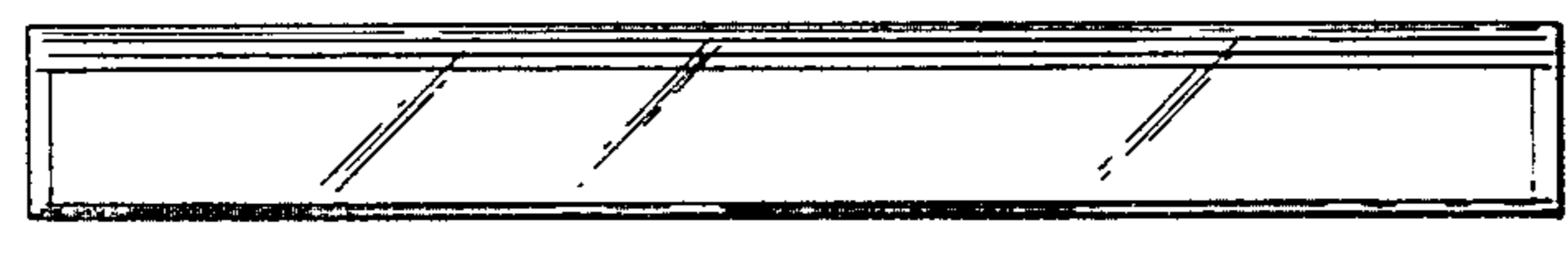


FIG. 3

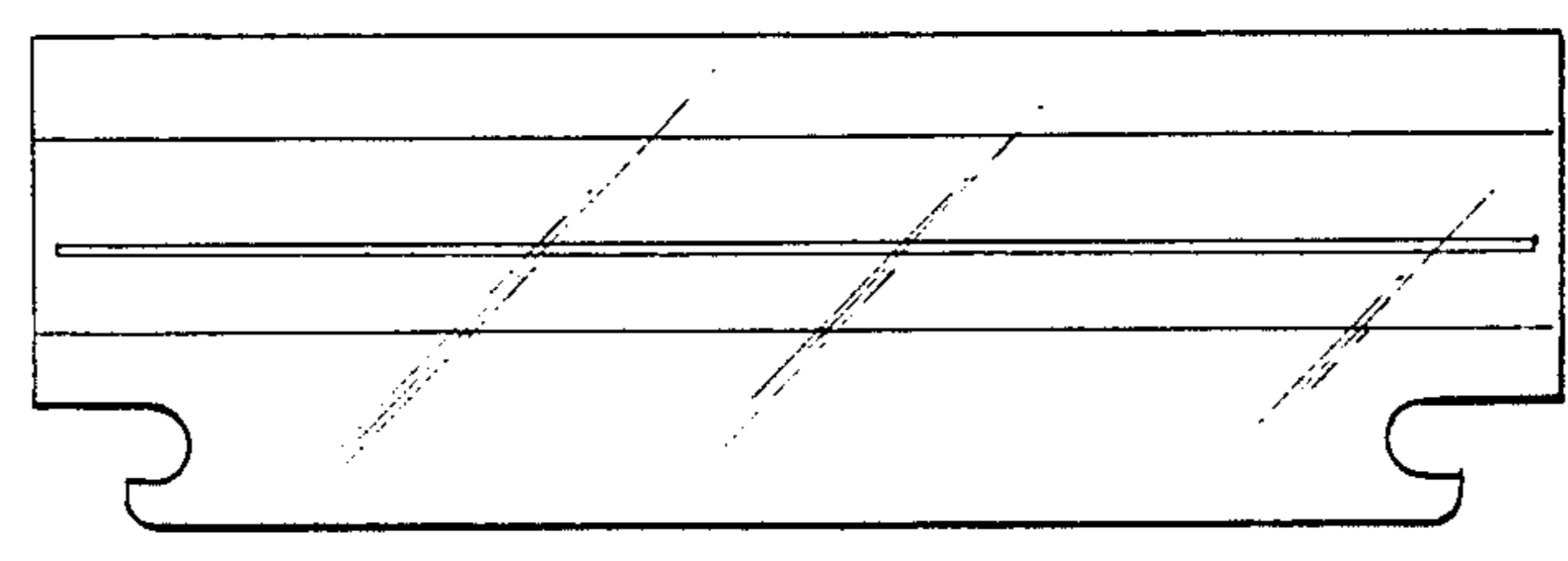


FIG. 4

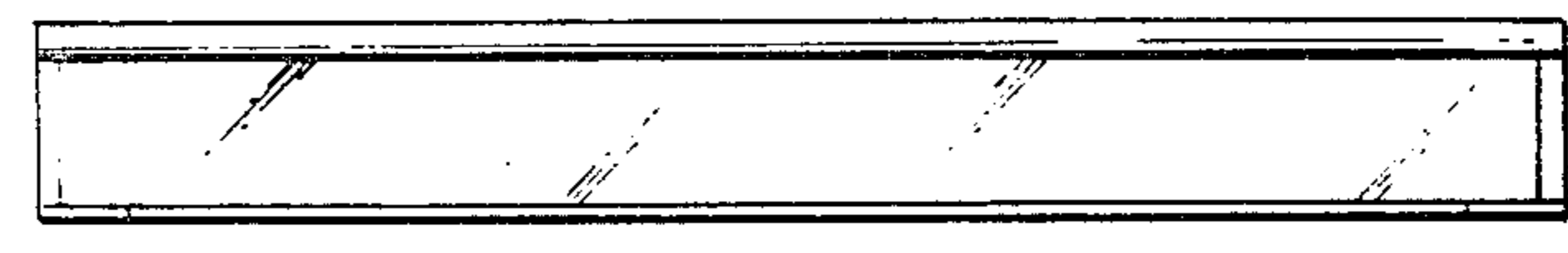


FIG. 5

FIG. 7

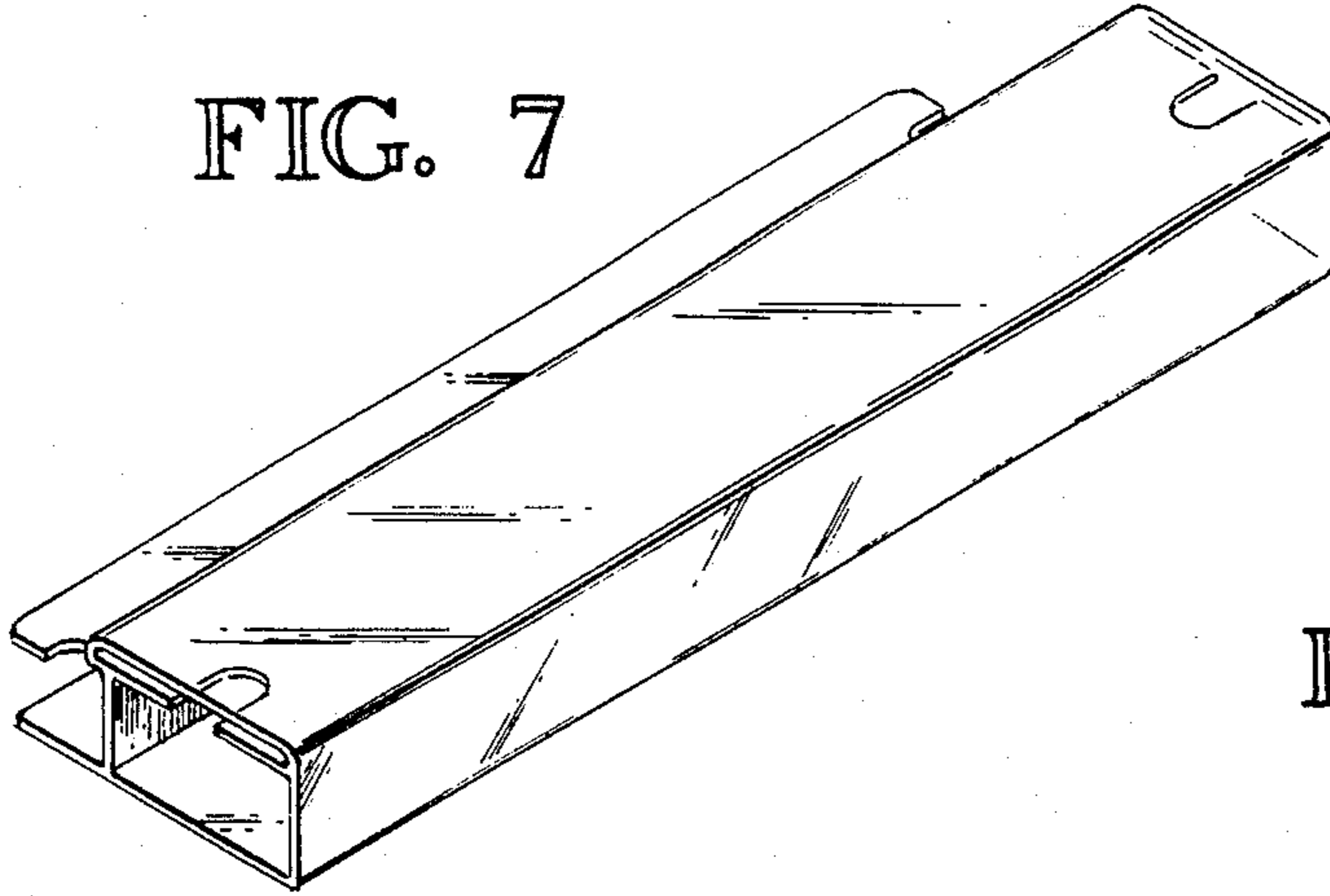


FIG. 12

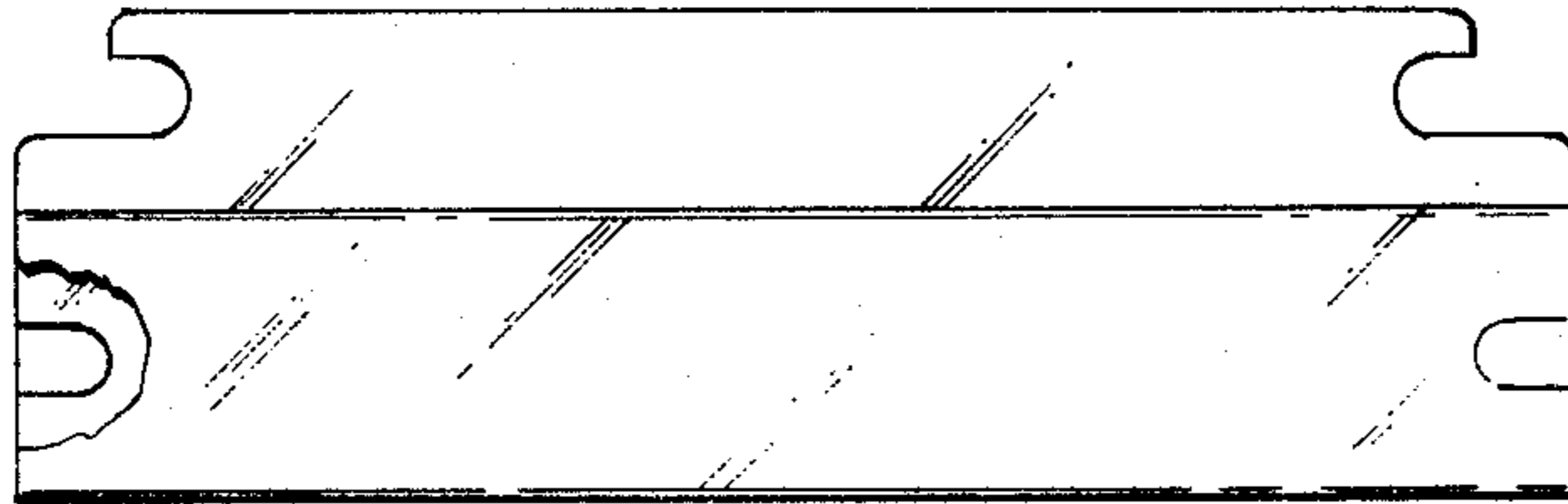
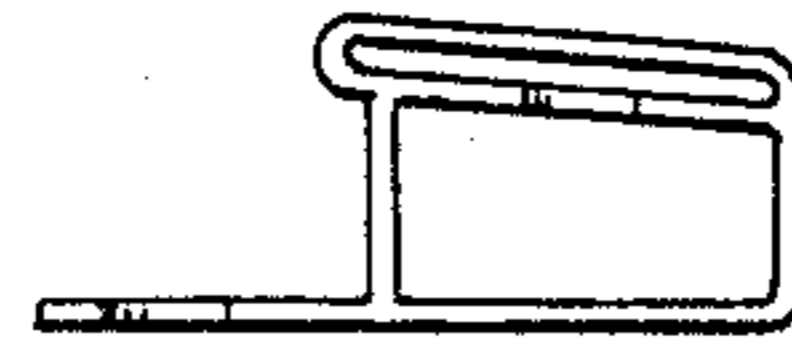


FIG. 8

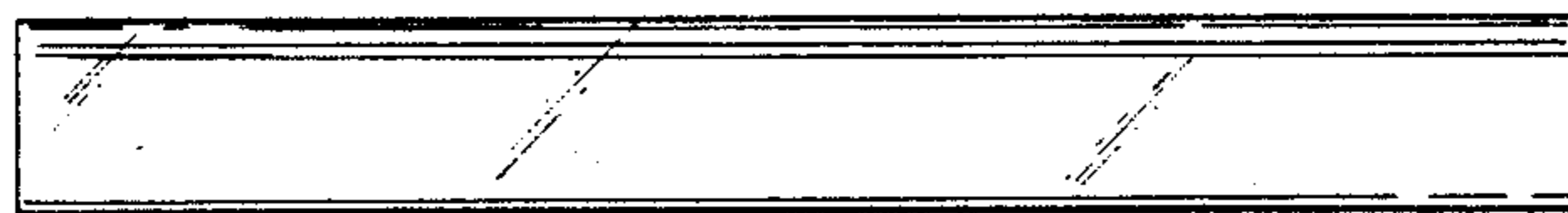


FIG. 9

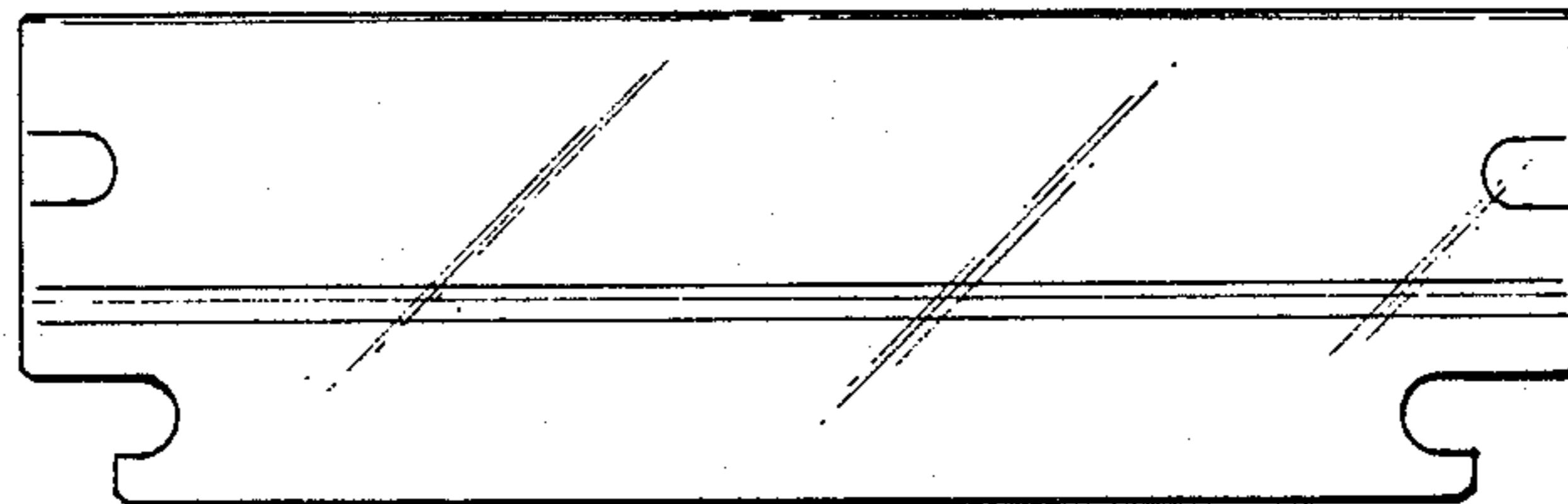


FIG. 10

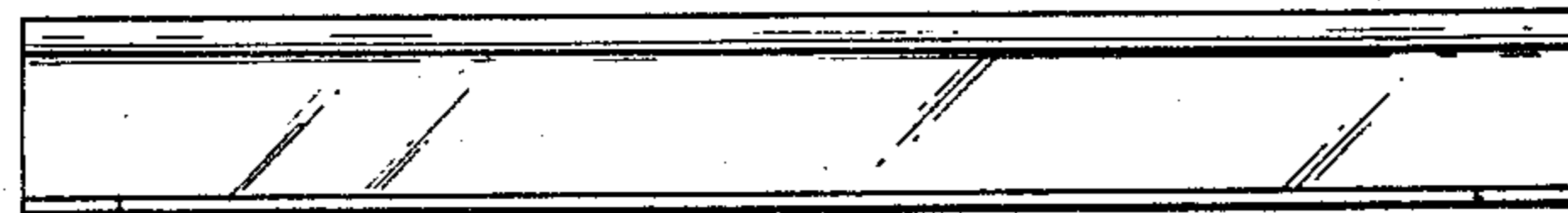


FIG. 11