

[54] MODULAR COMPUTER SUPPORT AND DISPLAY STAND

[75] Inventor: Joseph Sandor, Woodland Hills, Calif.

[73] Assignee: Frontline Products, Inc., Glendale, Calif.

[\*\*] Term: 14 Years

[21] Appl. No.: 603,573

[22] Filed: Apr. 24, 1984

[52] U.S. Cl. .... D6/474; D6/426

[58] Field of Search ..... D6/420, 422, 423, 424, D6/425, 426, 427, 428, 429, 430, 431, 474, 479; 312/194, 195, 196; 108/92, 93, 96, 102, 108, 7; 248/1 F, 1 B

[56] References Cited

U.S. PATENT DOCUMENTS

D. 268,312	3/1983	Römpötti .....	D6/474 X
D. 270,787	10/1983	Umanoff et al. ....	D6/431
D. 274,586	7/1984	Cope et al. ....	D6/420
D. 279,740	7/1985	Slager .....	D6/426 X
4,365,561	12/1982	Tellier et al. ....	108/96 X

OTHER PUBLICATIONS

*The Office* Oct. 1981 p. 222; "CRT"-stand, center right on page.

"Washington Post Magazine" 3-27-1983; Design Section—Compufurn, terminal stand on right of page.

*The Office* Jul. 1983 p. 161; "CRT"-table top left on page.

*Interiors* Jan. 1981 p. 117; CRT table by "Facit", top right on page.

Primary Examiner—Carmen H. Vales

Attorney, Agent, or Firm—Marvin H. Kleinberg

[57] CLAIM

The ornamental design for a modular computer support and display stand, as shown and described.

DESCRIPTION

FIG. 1 is a perspective view of a modular computer support and display stand showing my new design;

FIG. 2 is a front elevational view thereof;

FIG. 3 is a rear elevational view thereof;

FIG. 4 is a top plan view thereof;

FIG. 5 is a bottom plan view thereof;

FIG. 6 is a left side elevational view thereof; and

FIG. 7 is a right side elevational view thereof.

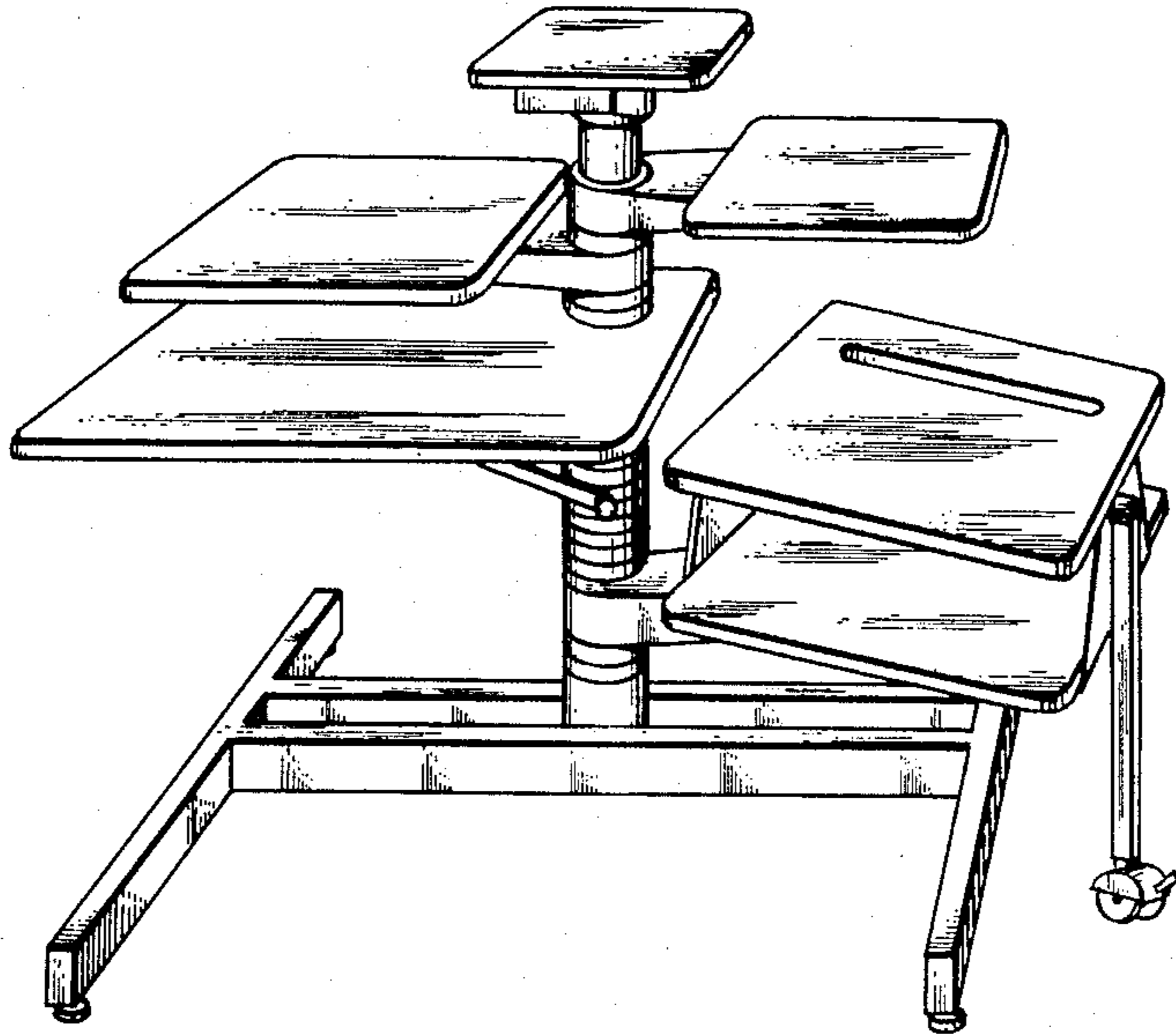


Fig. 1.

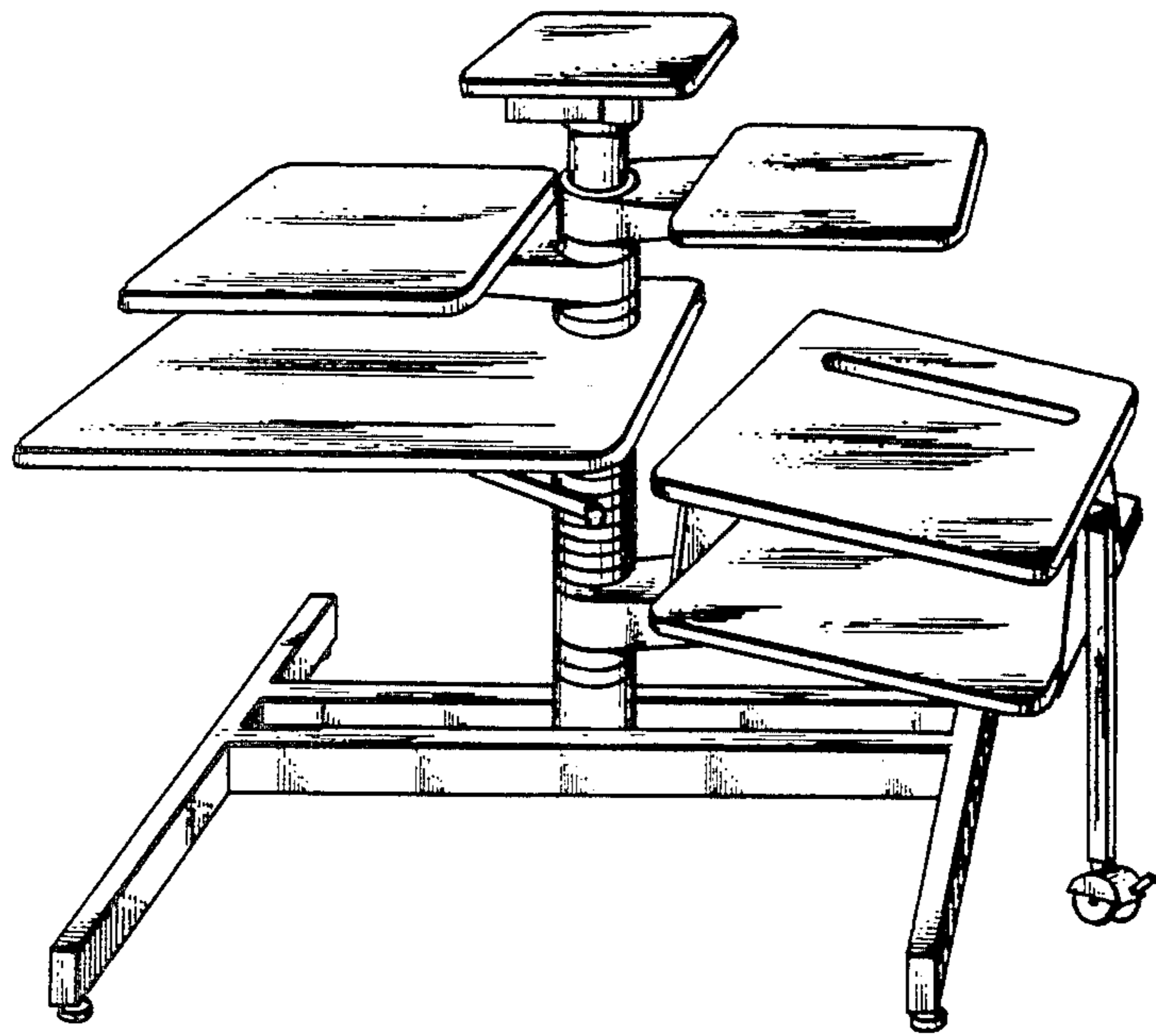


Fig. 2.

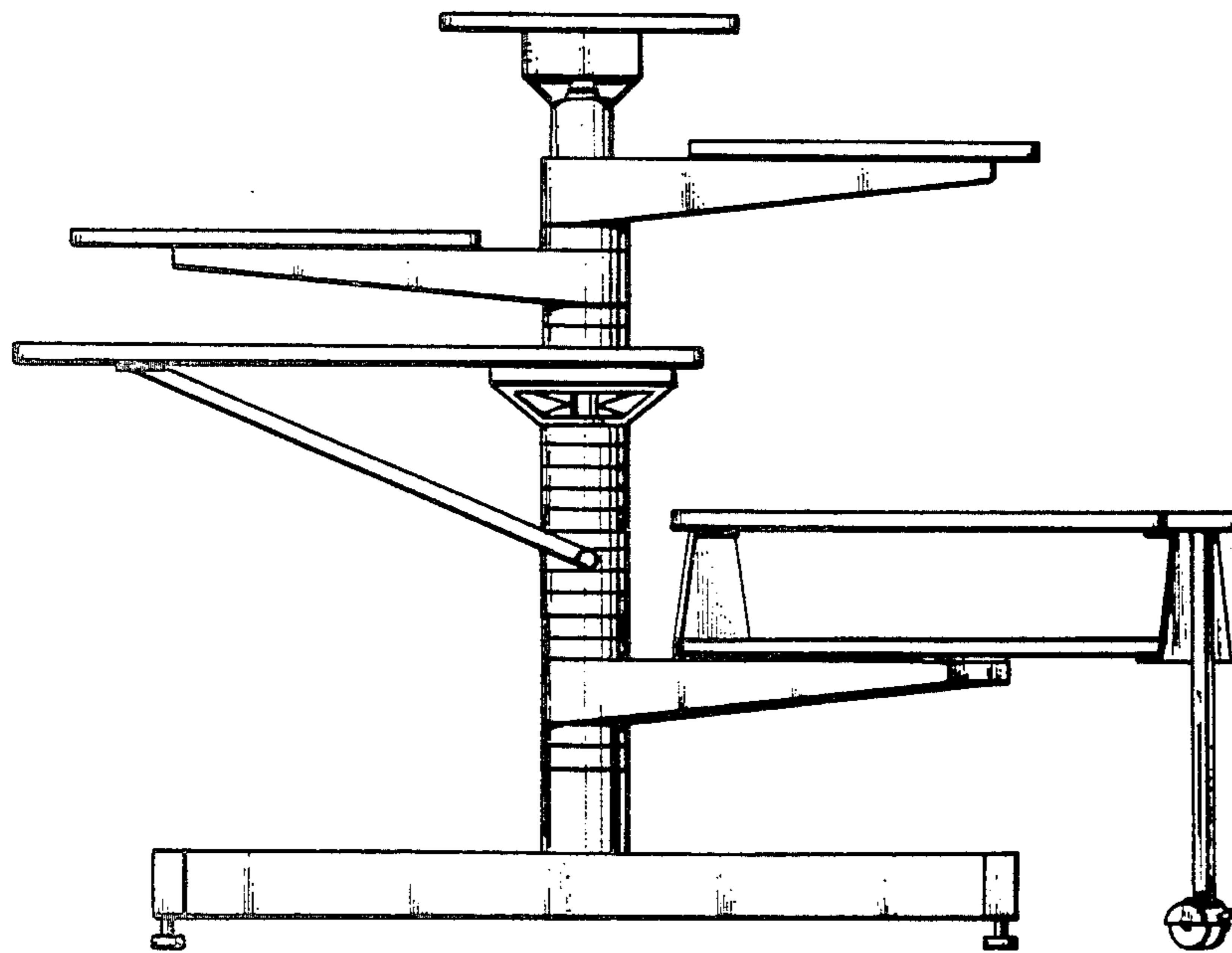


Fig. 3.

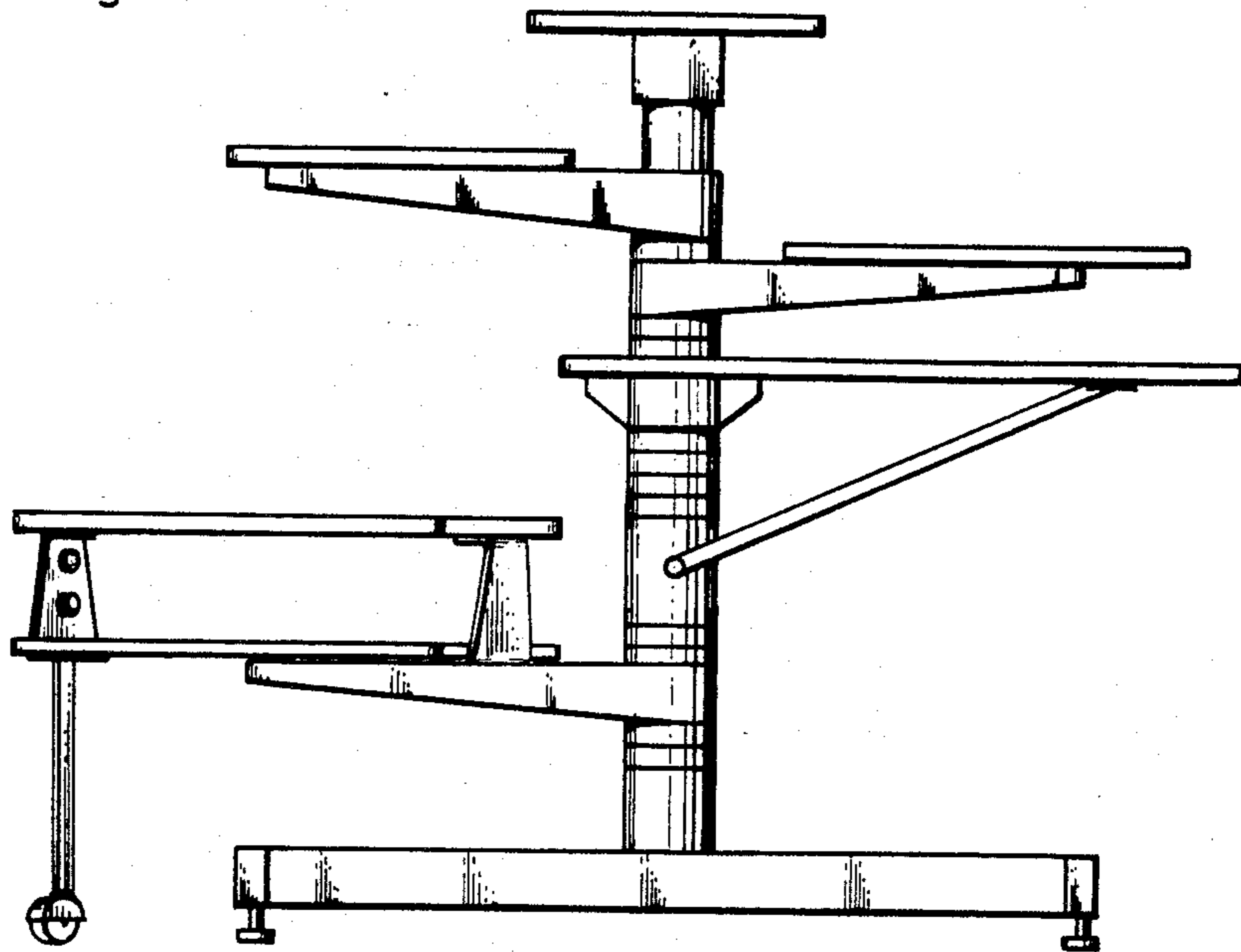


Fig. 4.

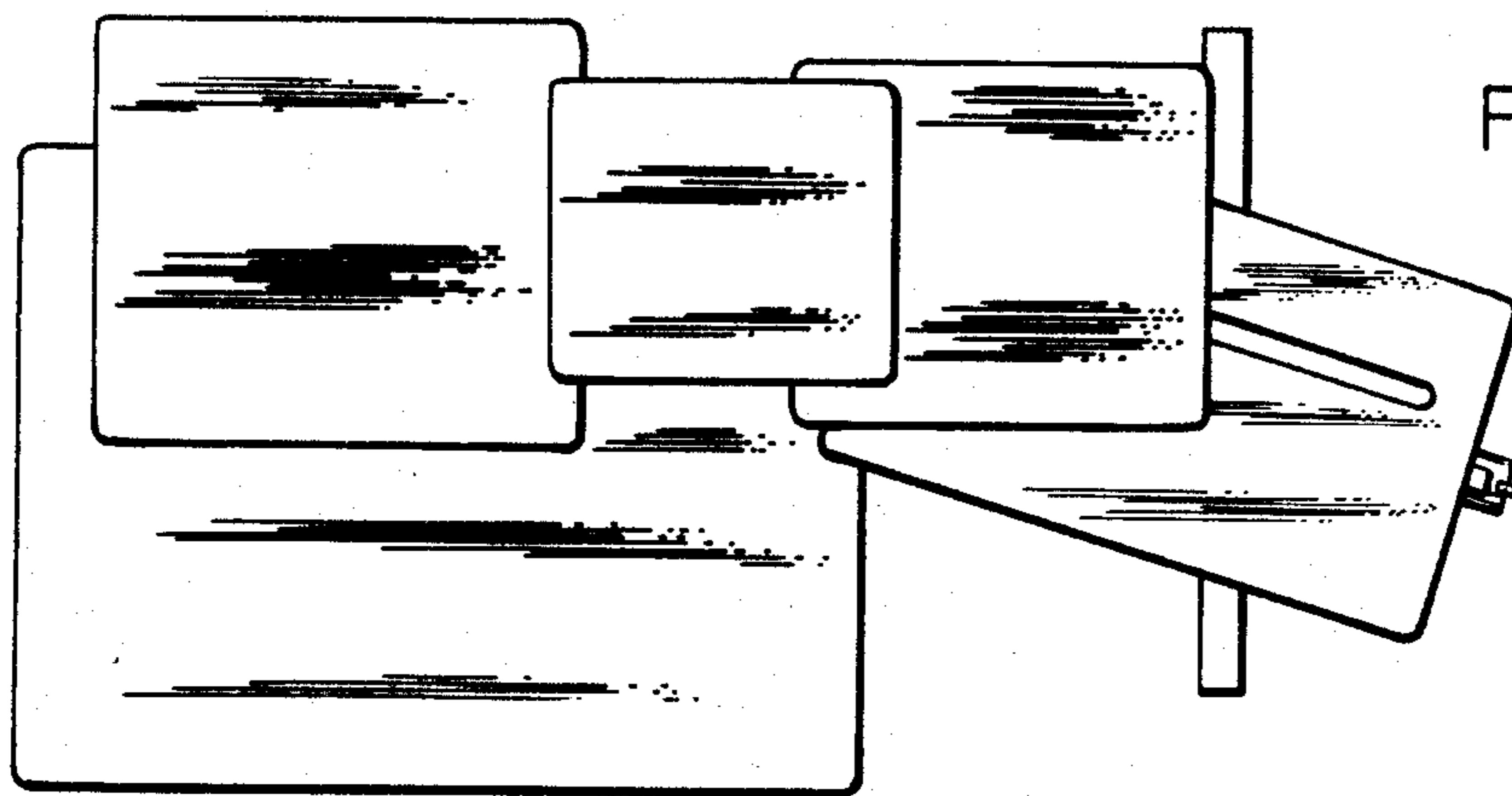


Fig. 5.

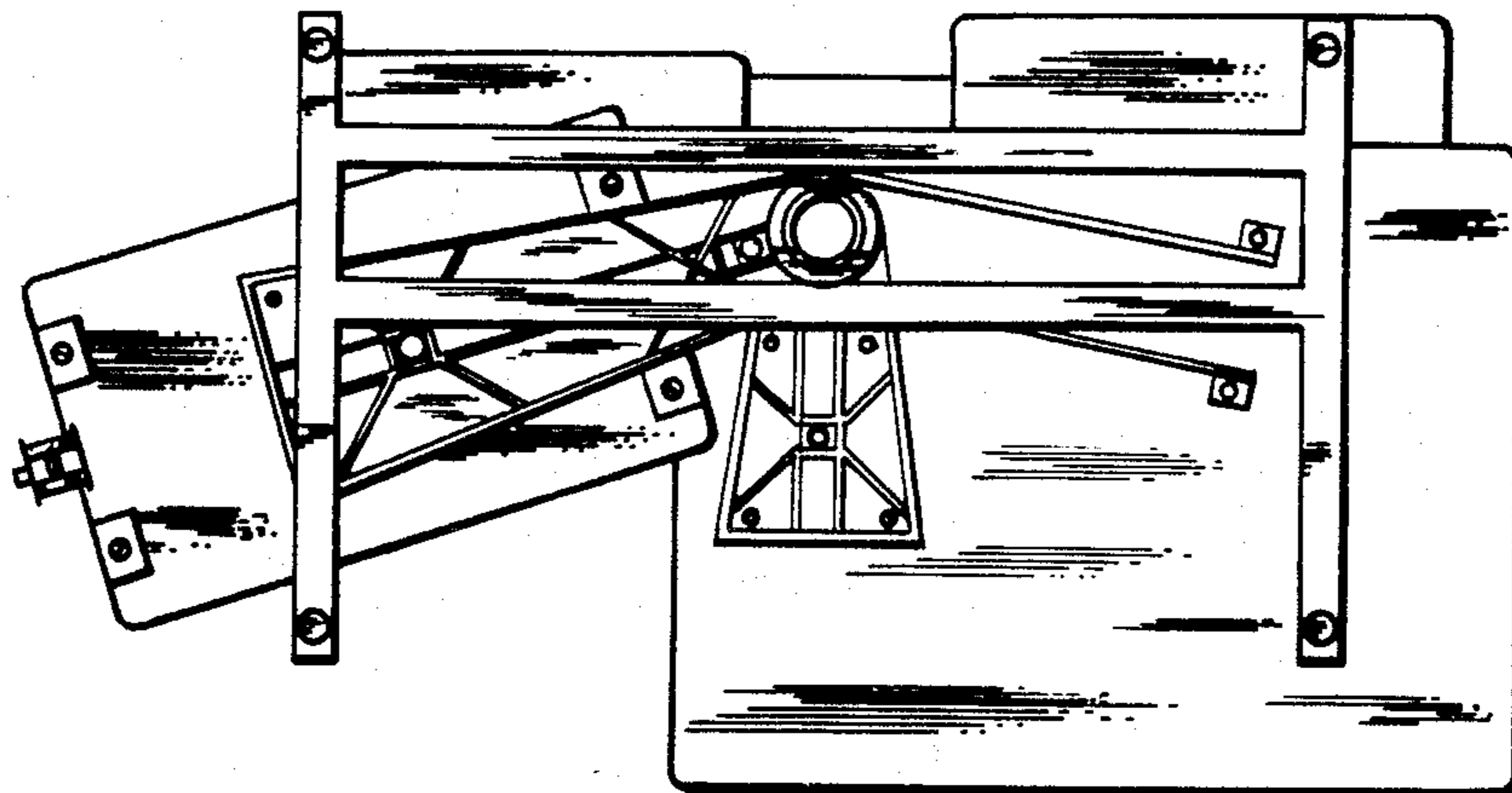


Fig. 6.

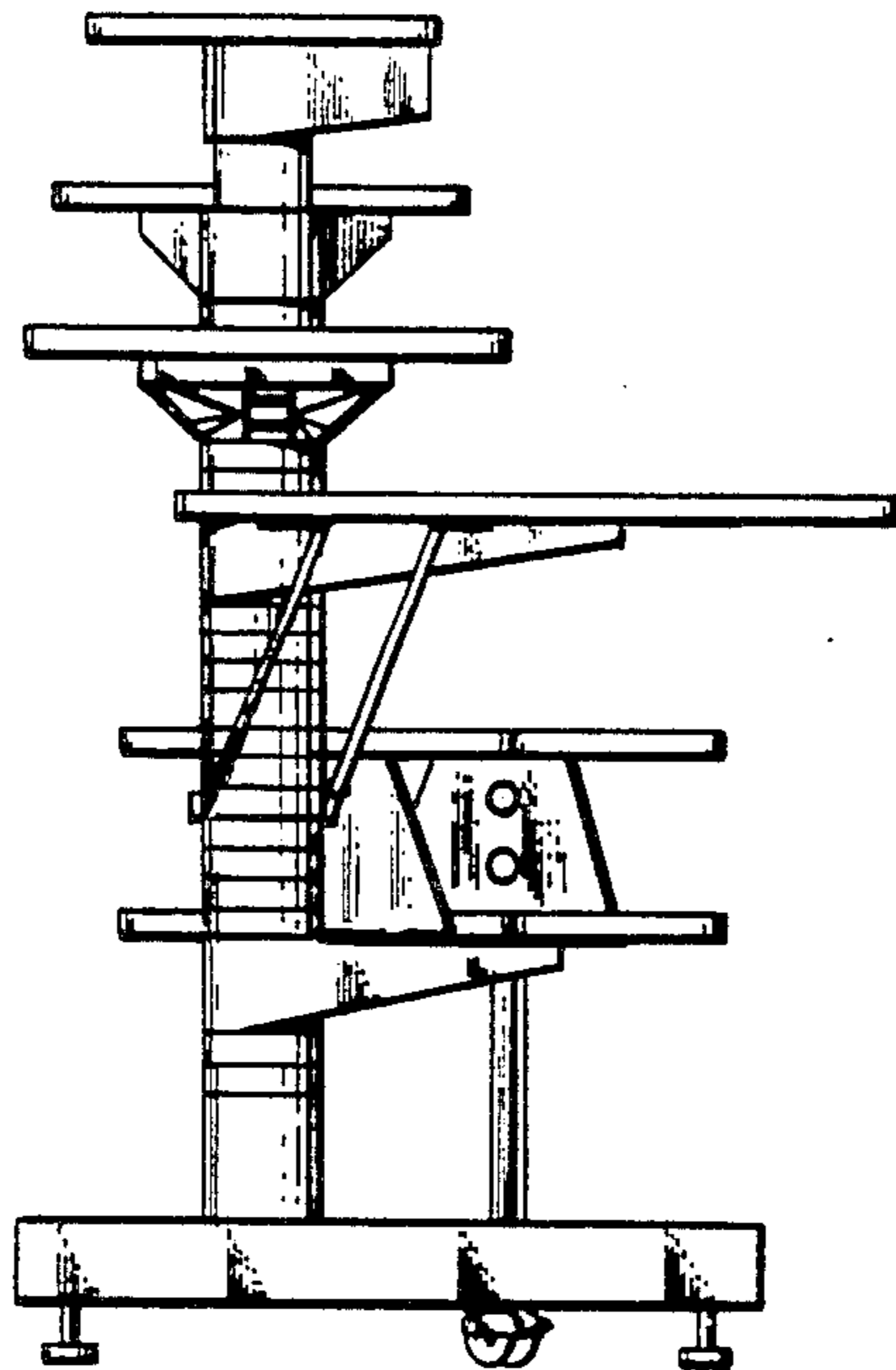


Fig. 7.

