

[54] JEWELRY DISPLAY STAND

[75] Inventor: Dennis L. Crawford, Carrollton, Tex.

[73] Assignee: Lenox, Incorporated, Lawrenceville, N.J.

[\*\*] Term: 14 Years

[21] Appl. No.: 609,124

[22] Filed: May 11, 1984

[52] U.S. Cl. .... D6/467

[58] Field of Search ..... D6/449, 450, 466, 467; D3/75, 74; 211/13

[56] References Cited

U.S. PATENT DOCUMENTS

D. 27,602	8/1897	Weil	.....	D6/467
D. 35,852	4/1902	Herzog	.....	D6/467
D. 69,078	12/1925	Hammer	.....	D6/467
D. 108,562	2/1938	Christen	.....	D6/466
D. 124,670	1/1941	Ruderman	.....	D6/467 X
D. 189,947	3/1961	Sager	.....	D6/450
D. 208,600	9/1967	Rosen	.....	D6/466
D. 209,357	11/1967	Semler	.....	D6/466

Primary Examiner—Carmen H. Vales  
Attorney, Agent, or Firm—Louis Weinstein

[57] CLAIM

The ornamental design for a jewelry display stand, as shown and described.

DESCRIPTION

FIG. 1 is a perspective view of a jewelry display stand showing my new design;  
 FIG. 2 is a front elevational view thereof;  
 FIG. 3 is a rear elevational view thereof;  
 FIG. 4 is a bottom plan view thereof;  
 FIG. 5 is a top plan view thereof;  
 FIG. 6 is a front elevational view of a second embodiment of the jewelry display stand shown in FIG. 1; the other sides being identical to FIGS. 2-5;  
 FIG. 7 is a third embodiment of the jewelry display stand shown in FIG. 1; the other sides being identical to FIGS. 2-5;  
 FIG. 8 is a fourth embodiment of the jewelry display stand shown in FIG. 1;  
 FIG. 9 is a front elevational view thereof;  
 FIG. 10 is a rear elevational view thereof;  
 FIG. 11 is a bottom plan view thereof;  
 FIG. 12 is a top plan view thereof;  
 FIG. 13 is a fifth embodiment of the jewelry display stand shown in FIG. 1; the other views being identical to FIGS. 10-12; and  
 FIG. 14 is a sixth embodiment of the jewelry display stand shown in FIG. 1; the other views being identical to FIGS. 10-12.

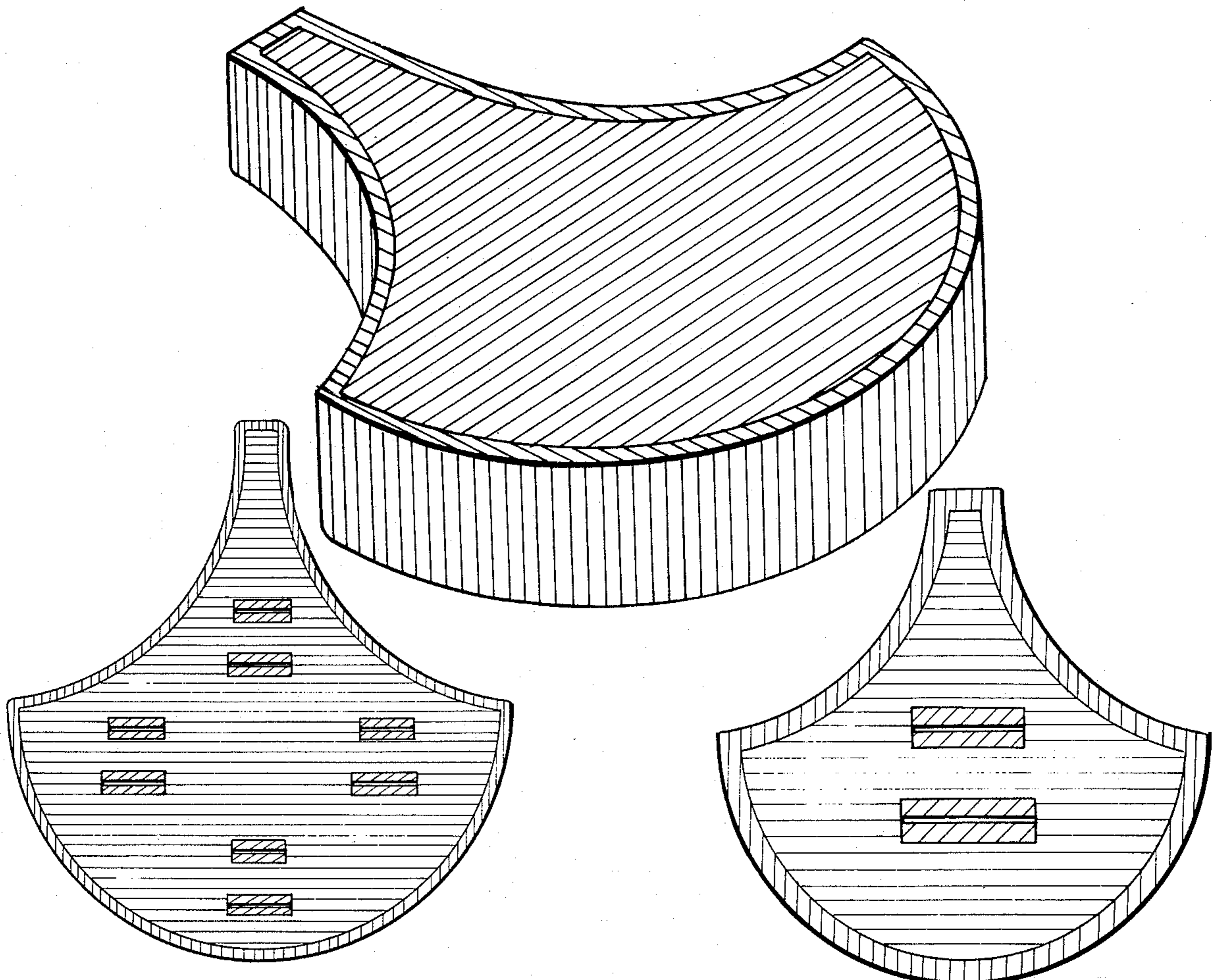


FIG. 1

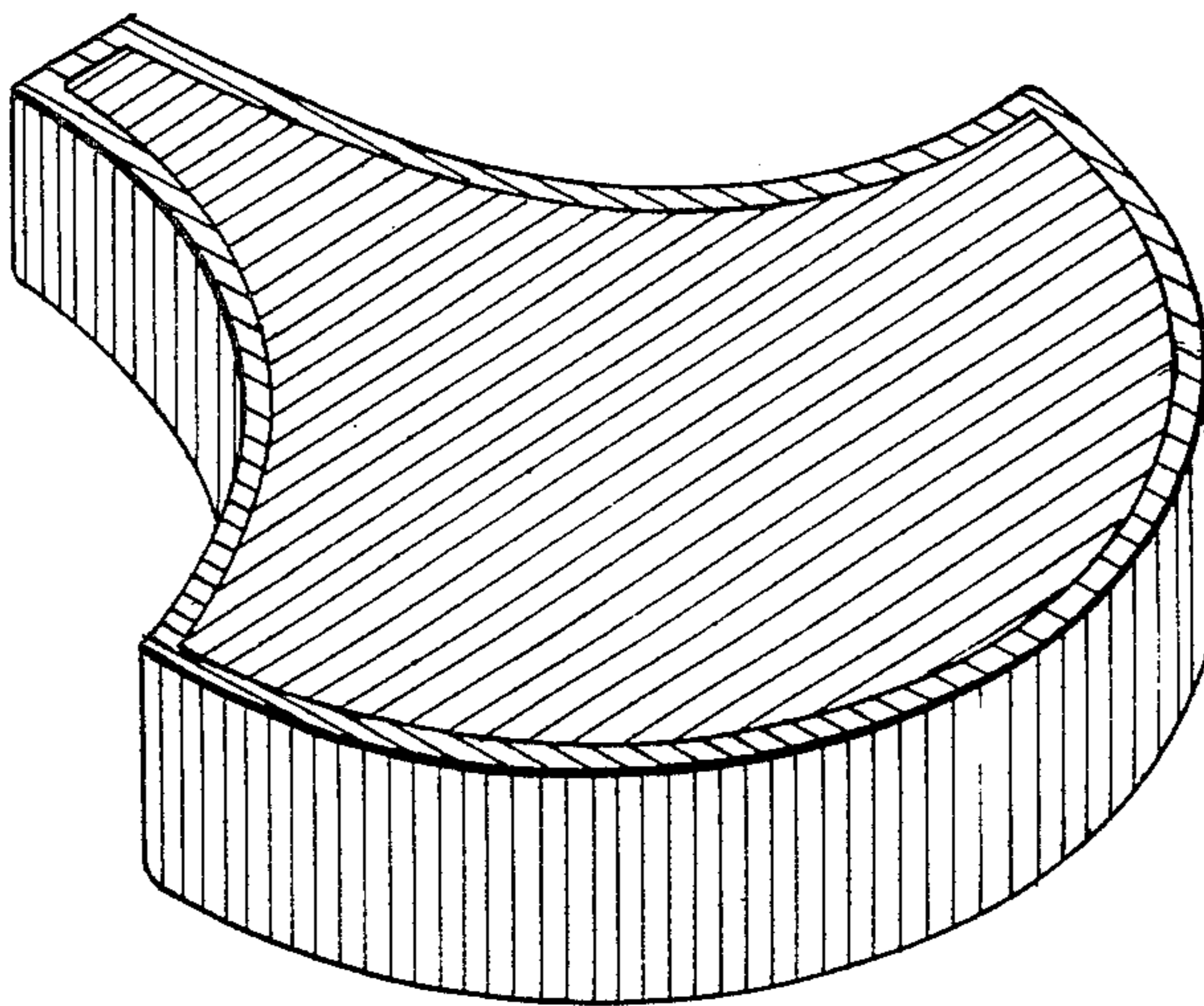


FIG. 2

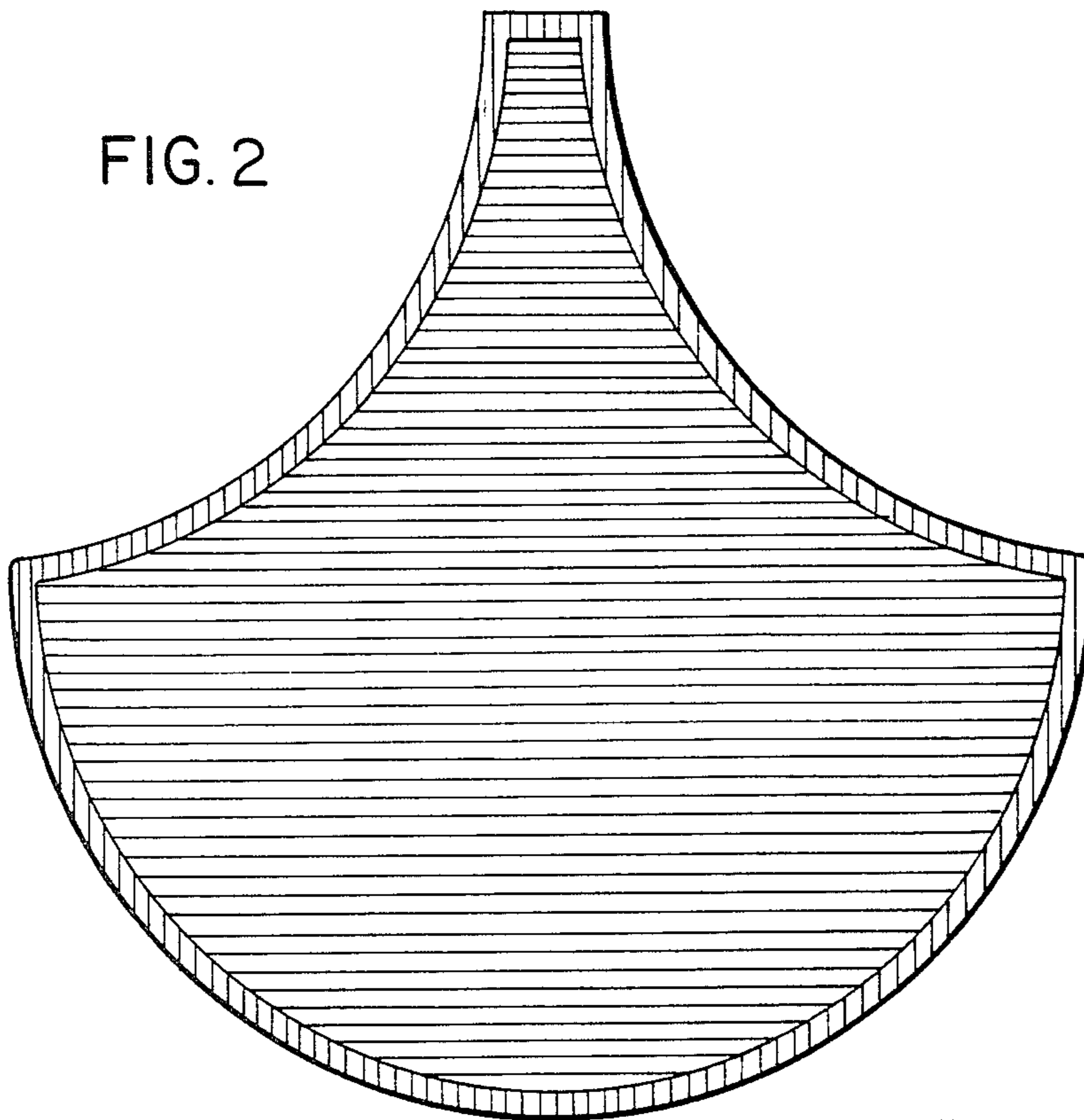


FIG. 3

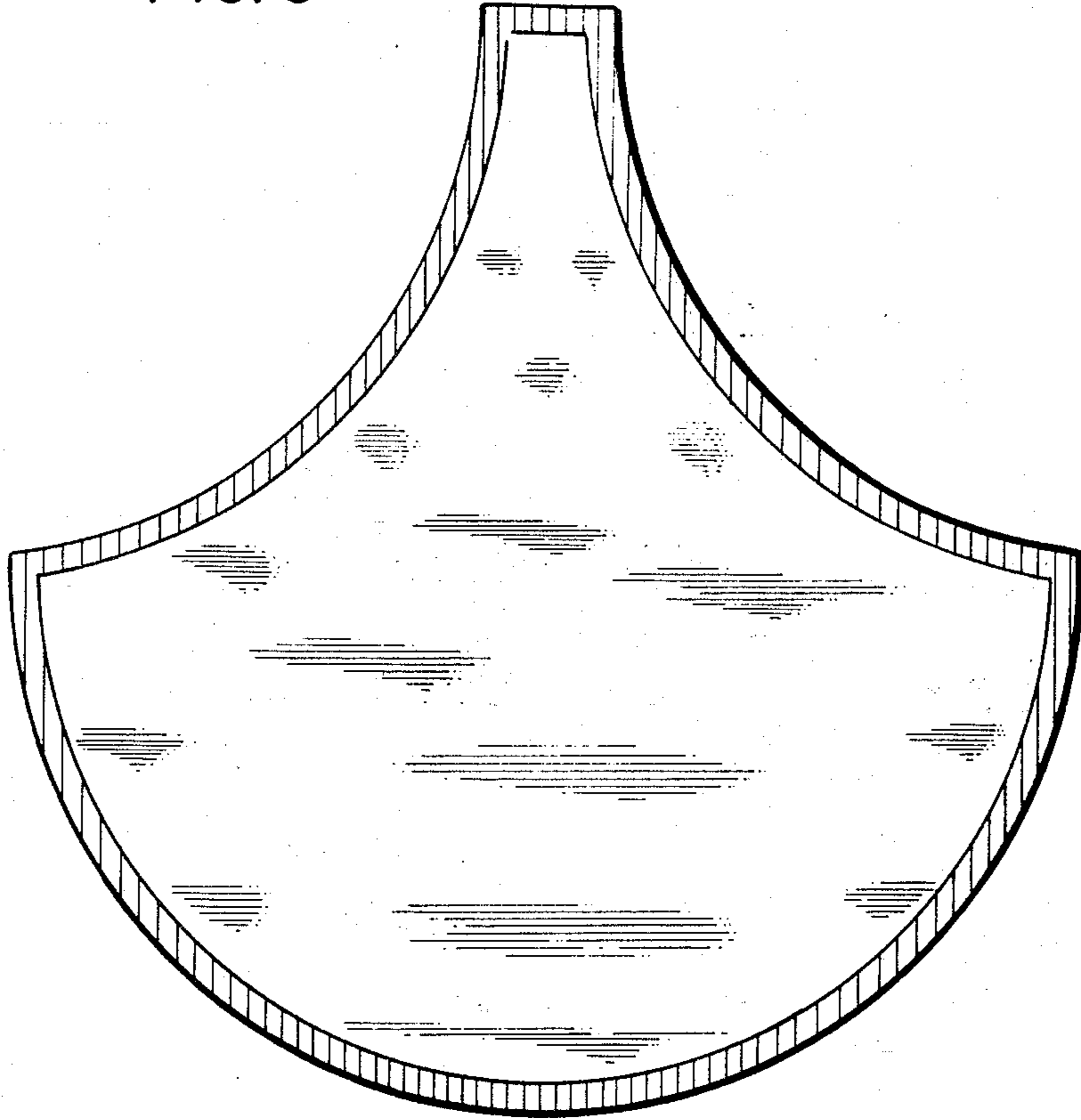


FIG. 4

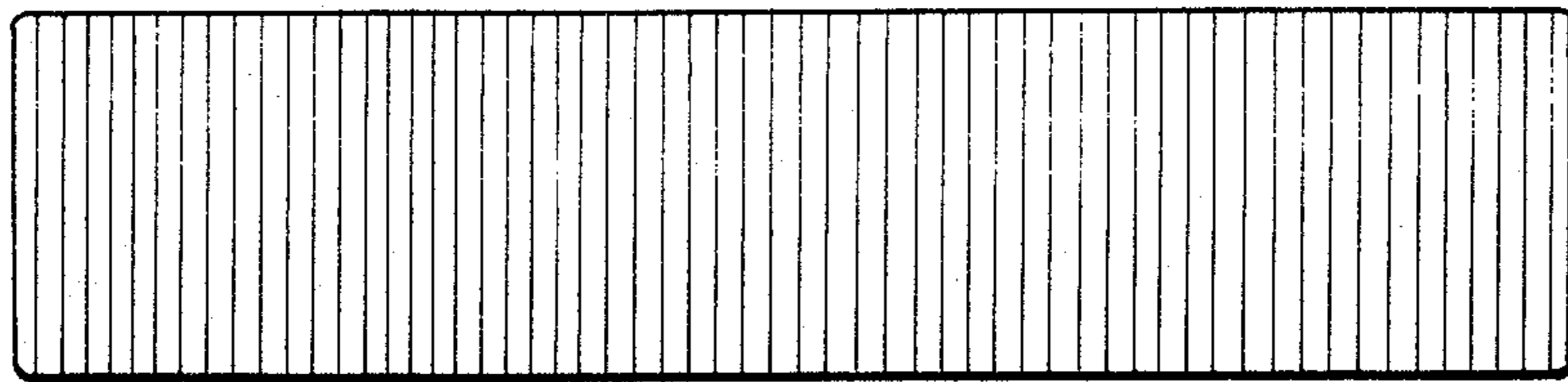
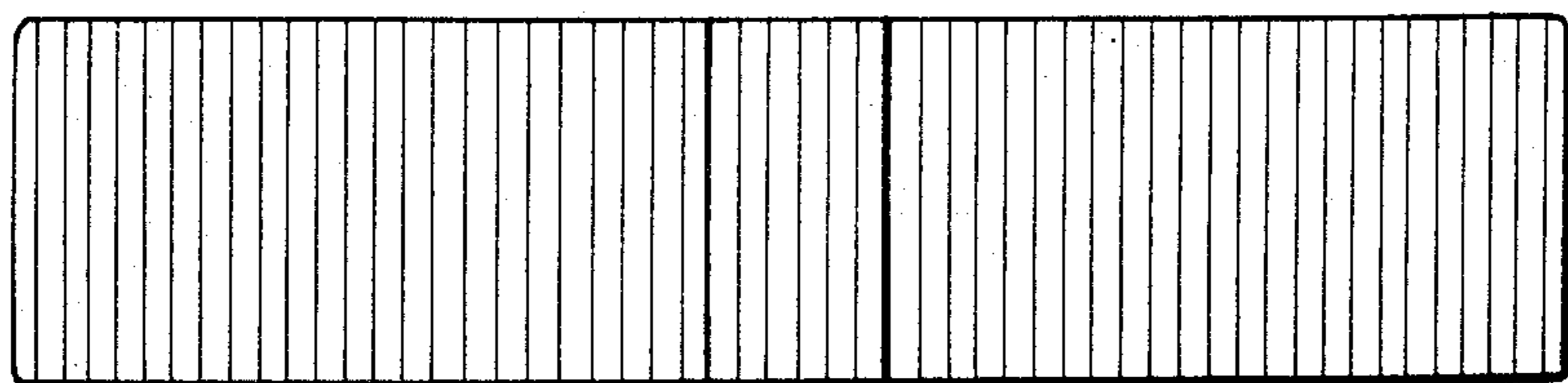


FIG. 5



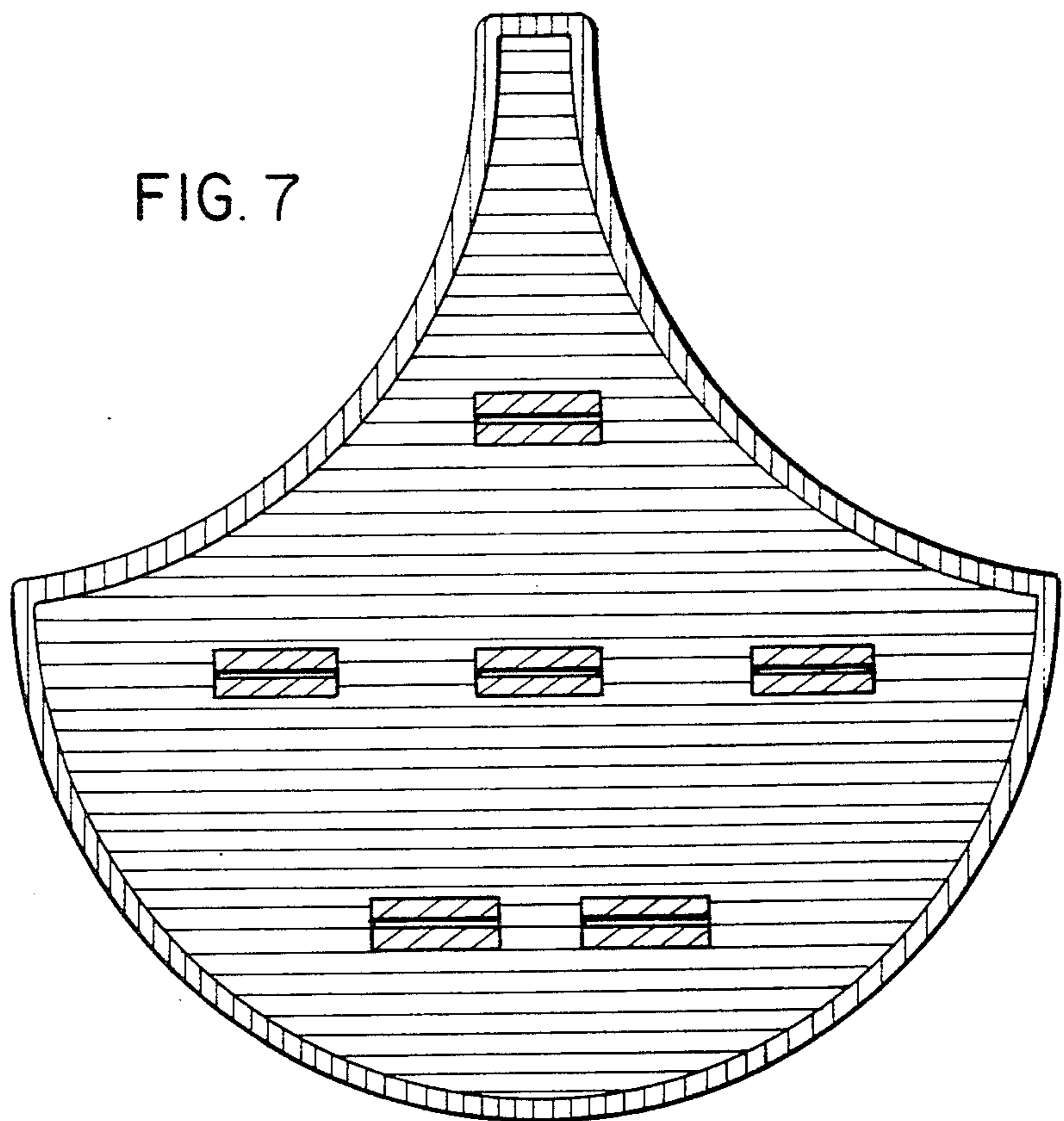
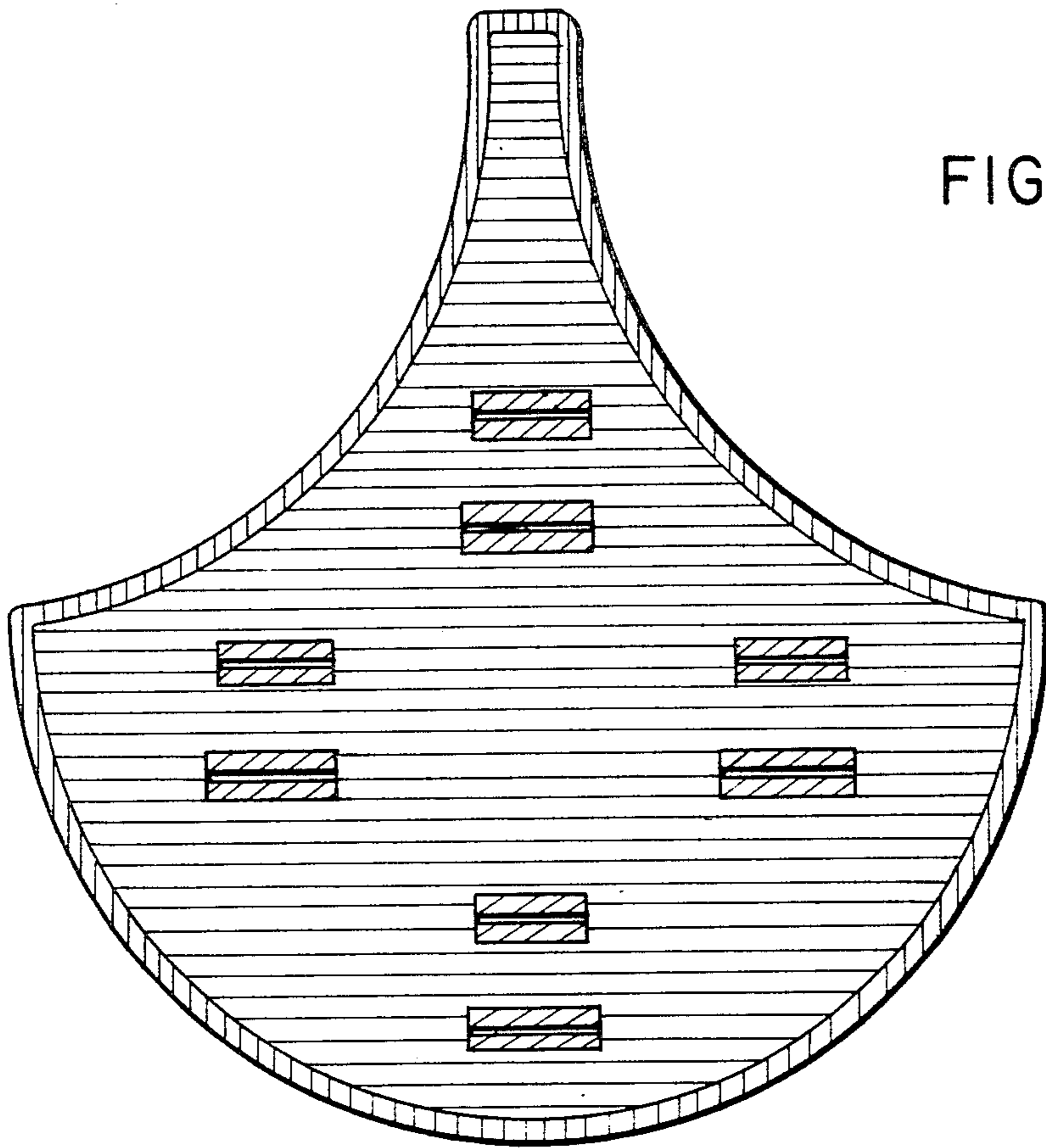


FIG. 8

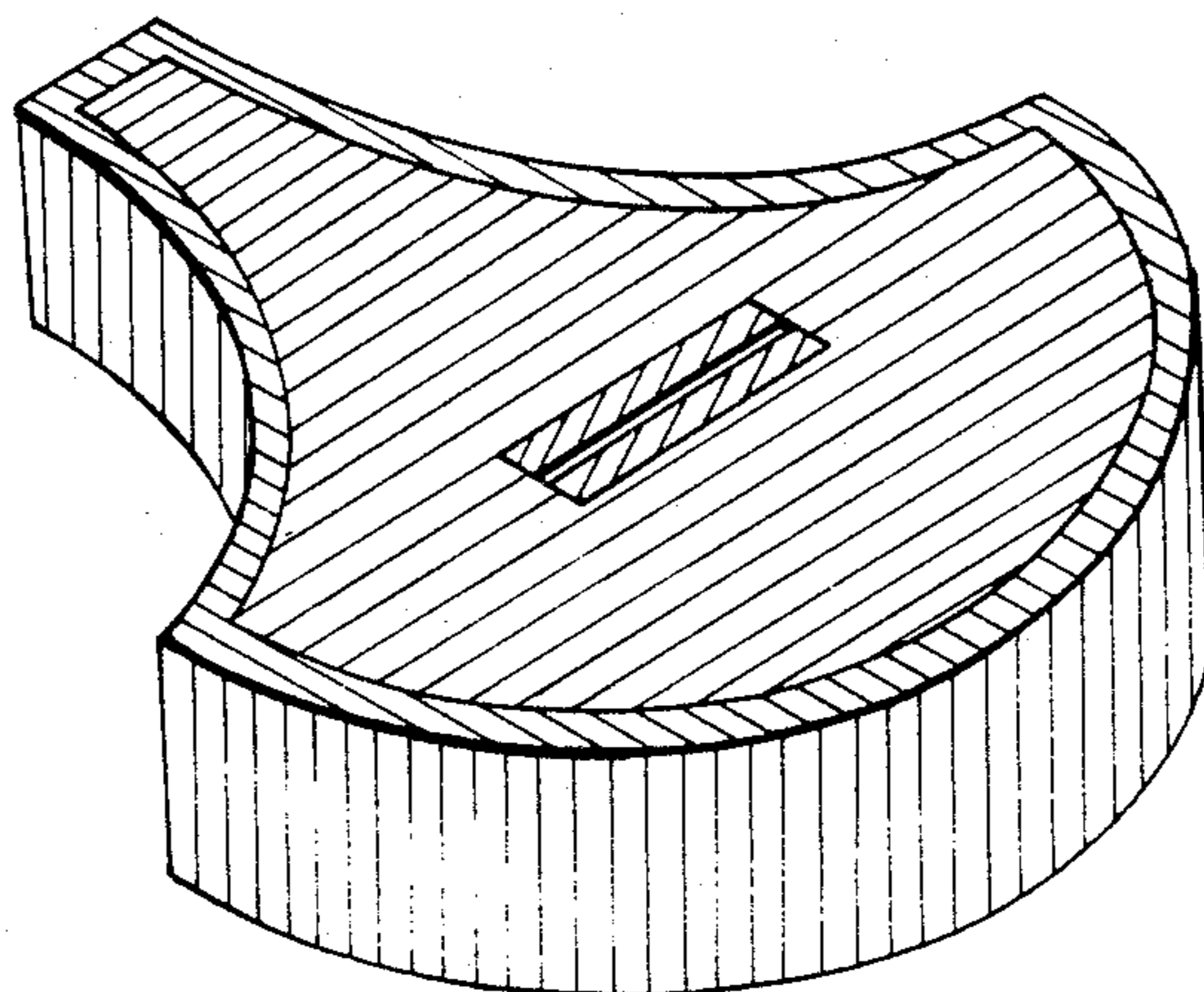


FIG. 9

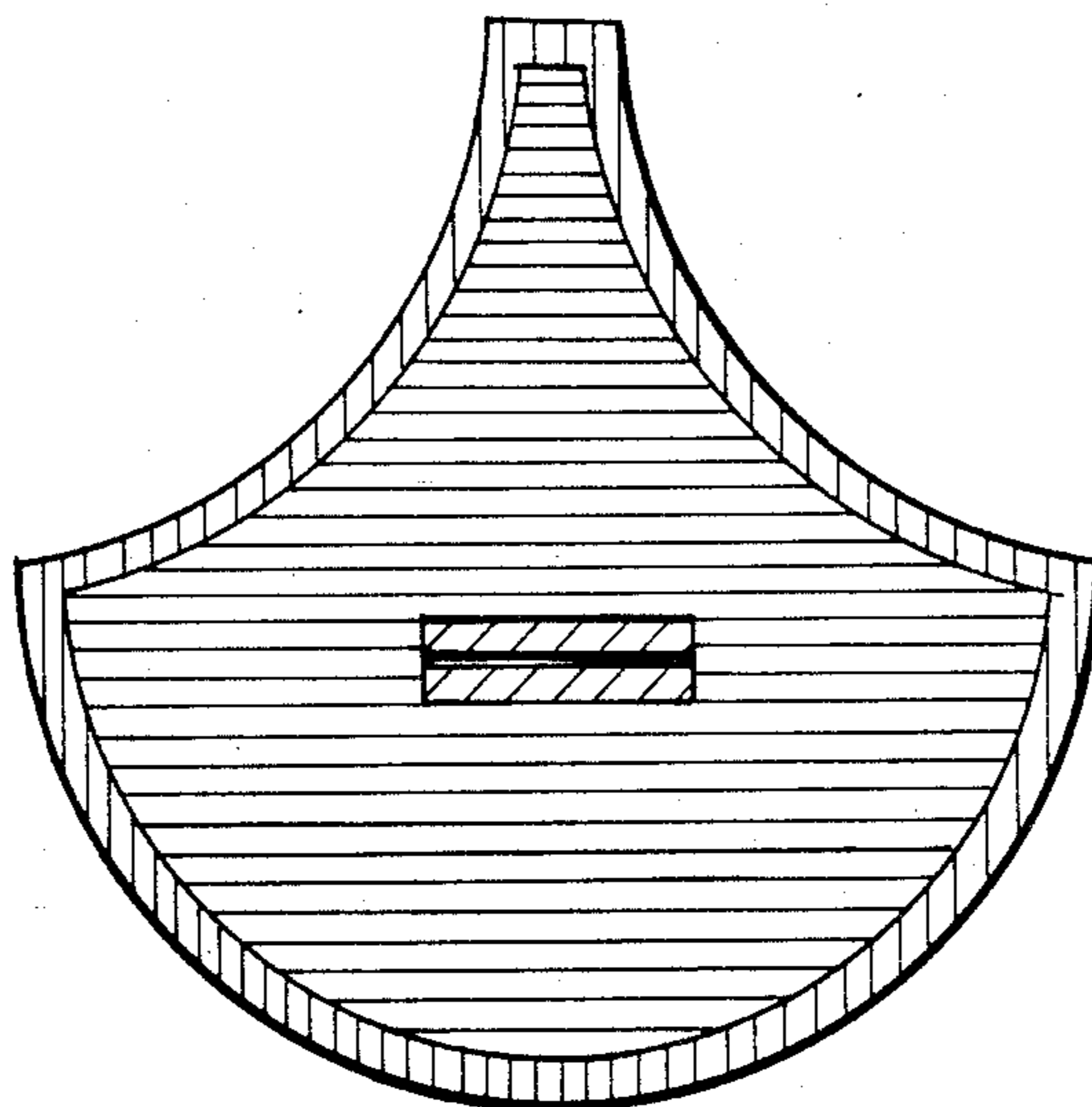


FIG. 10

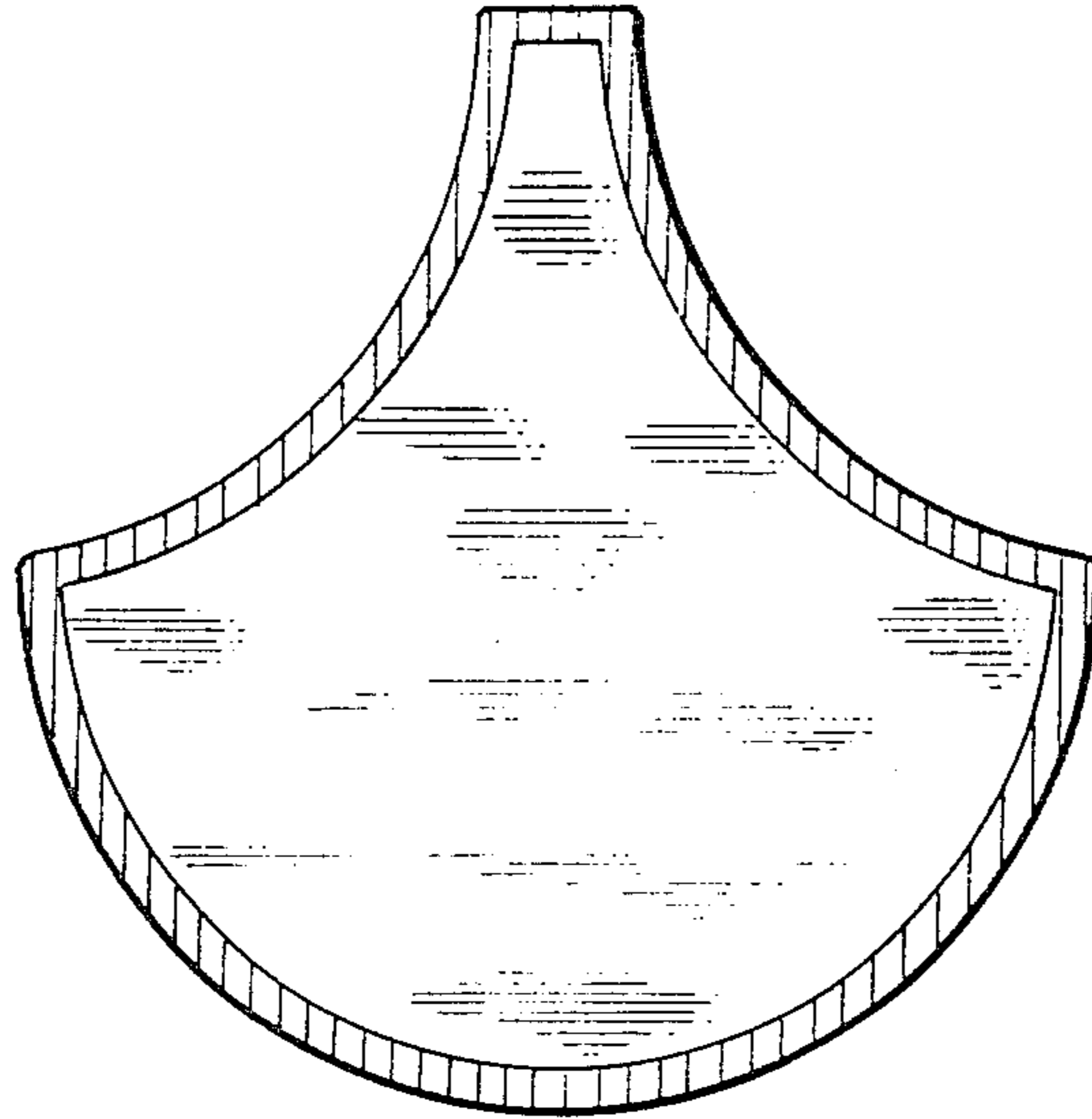


FIG. 11

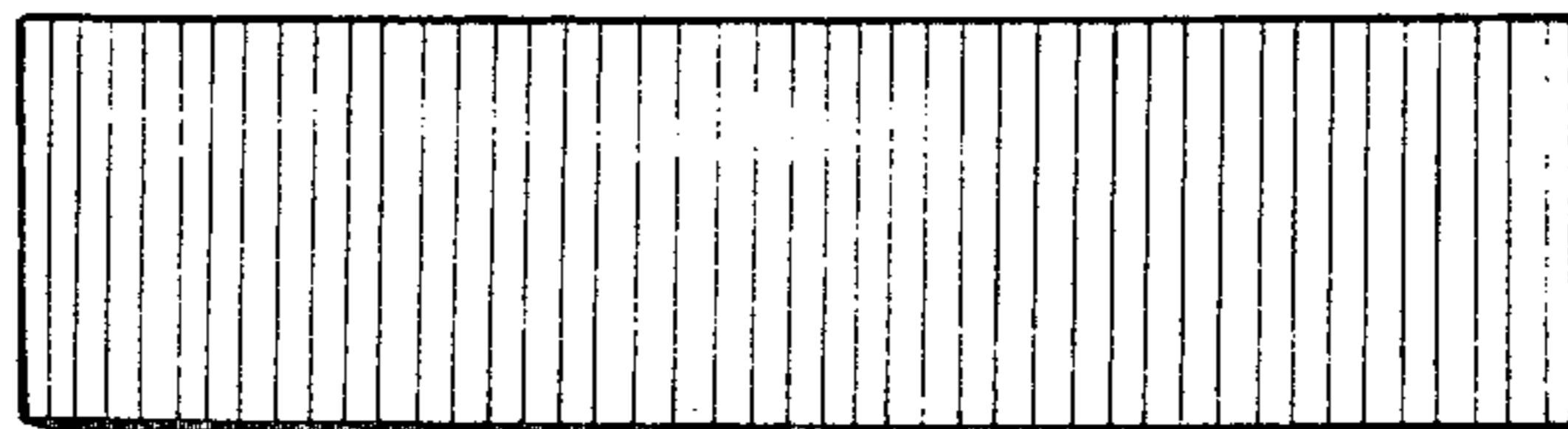


FIG. 12



FIG. 13

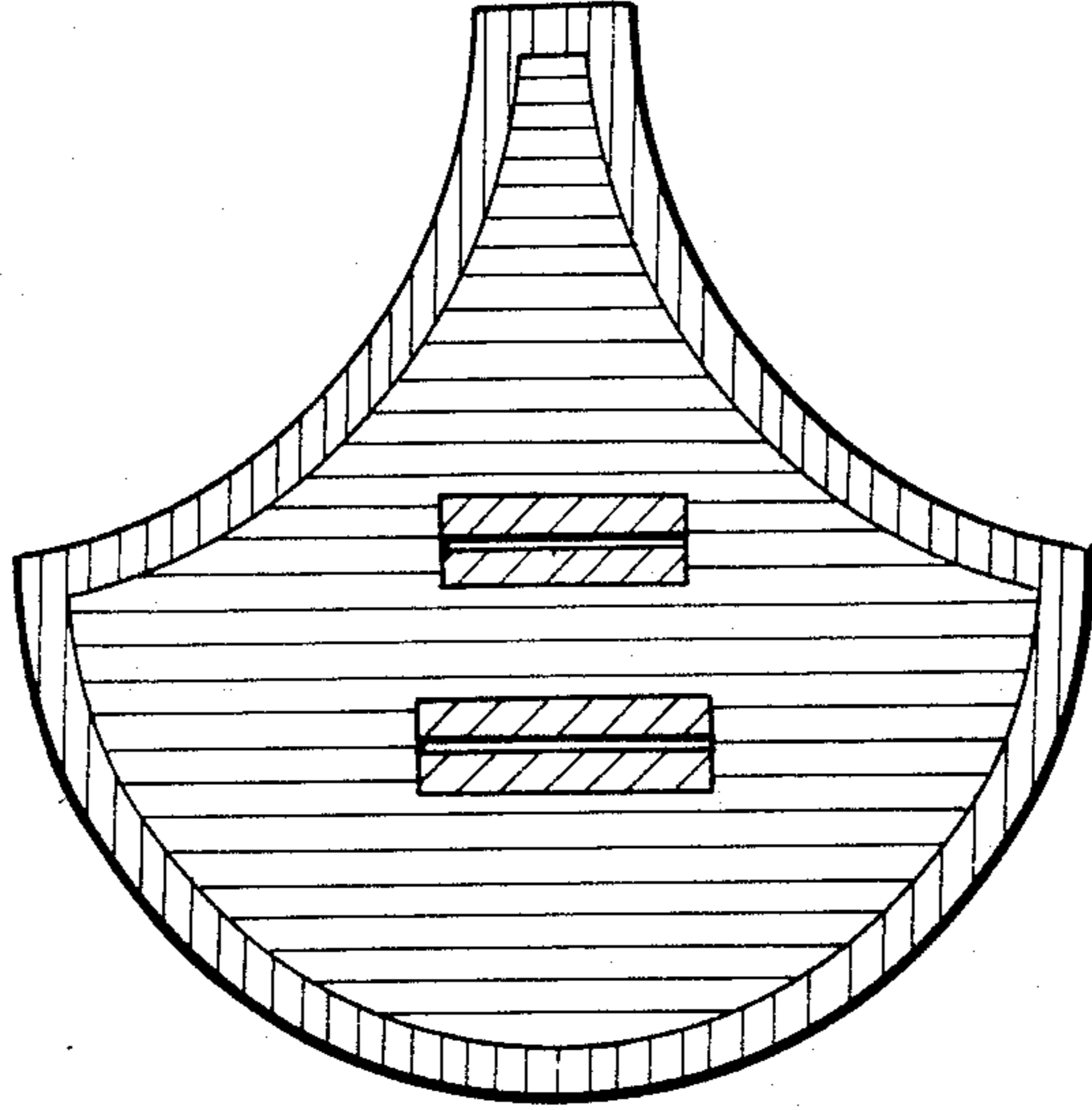


FIG. 14

