

[54] **DISPLAY STAND**

[75] **Inventor: Sture Engstrand, Gustavsberg, Sweden**

[73] **Assignee: Aktiebolaget Gustavsberg, Gustavsberg, Sweden**

[**] **Term: 14 Years**

[21] **Appl. No.: 654,313**

[22] **Filed: Sep. 25, 1984**

[30] **Foreign Application Priority Data**

Mar. 28, 1984 [SE] Sweden 841027

[52] **U.S. Cl. D6/460; D6/461; D6/474; D6/479**

[58] **Field of Search D6/449, 455, 460, 461, D6/474, 477, 478, 479; 211/186, 135, 189, 163; 108/92, 93**

[56] **References Cited**

U.S. PATENT DOCUMENTS

D. 80,475	2/1930	Bartholdi	D6/460
D. 89,585	4/1933	Dugan et al.	D6/460
D. 105,086	6/1937	Bradshaw	D6/460
D. 116,758	9/1939	Rosen	D6/460
D. 148,859	3/1948	Irwin	D6/460
D. 253,680	12/1979	Jaros et al.	D6/474
1,782,257	11/1930	Dumler	211/163 X

Primary Examiner—Carmen H. Vales
Attorney, Agent, or Firm—Toren, McGeedy and Goldberg

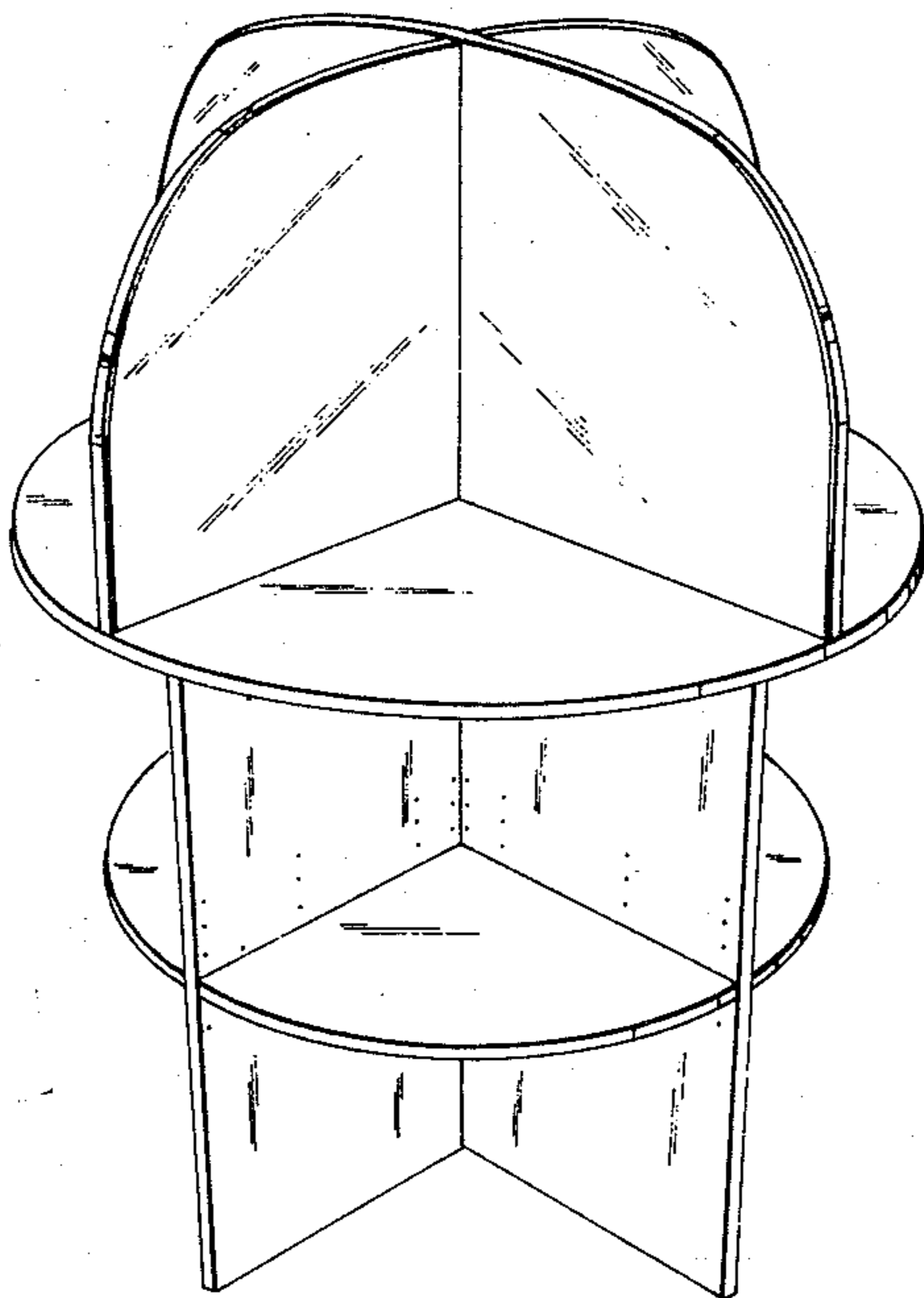
[57] **CLAIM**

The ornamental design for display stand, substantially as shown and described.

DESCRIPTION

FIG. 1 is a side perspective view of a display stand showing my new design; the other sides being identical thereto; and

FIG. 2 is a perspective view; the other sides being identical thereto.



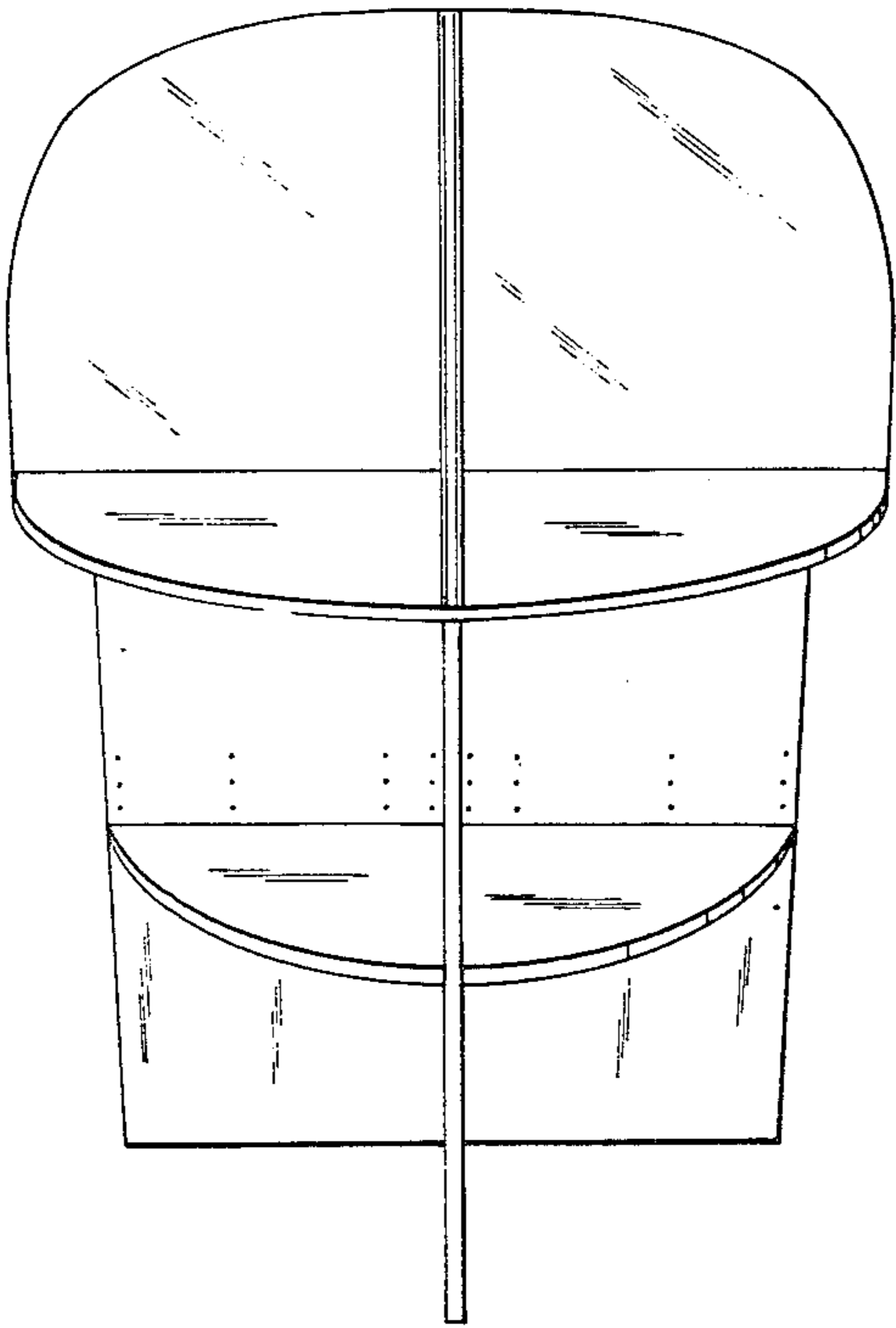


FIG. 1

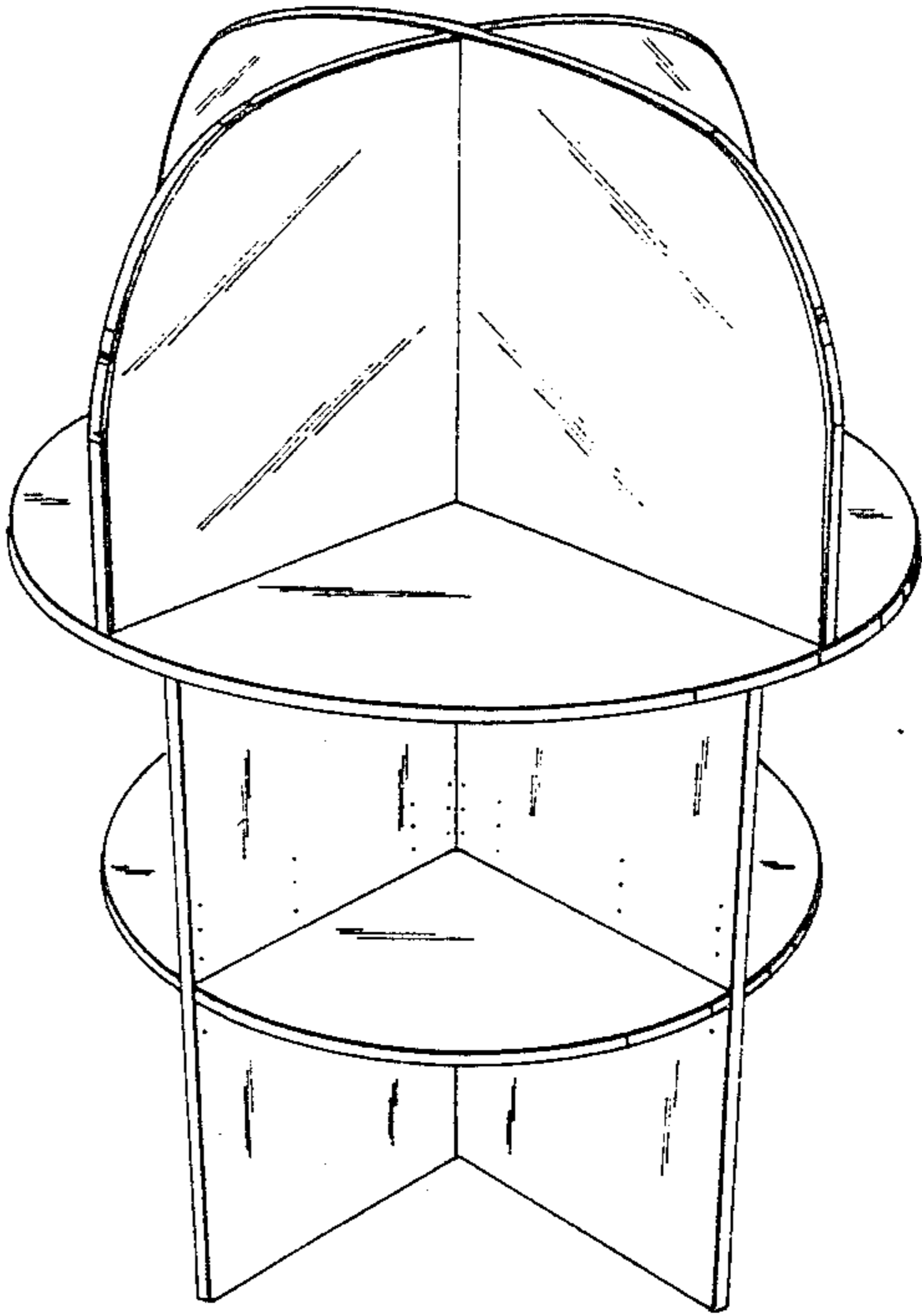


FIG. 2