

[54] **DISASSEMBABLE CHAIR**

[76] **Inventor: Richard D. Lindstrom, P.O. Box 10610, Bainbridge Island, Wash. 98110**

[**] **Term: 14 Years**

[21] **Appl. No.: 638,444**

[22] **Filed: Aug. 7, 1984**

[52] **U.S. Cl. D6/358**

[58] **Field of Search D6/345, 334, 351, 358, D6/359, 367, 368, 370, 374, 450, 451**

[56] **References Cited**

U.S. PATENT DOCUMENTS

D. 15,480	10/1884	Summer	D6/450
D. 169,787	6/1953	Rasmussen	D6/450
D. 172,804	8/1954	Rasmussen	D6/450
D. 224,633	8/1972	Kohl et al.	D6/358
D. 224,634	8/1972	Kohl et al.	D6/358

Primary Examiner—Bruce W. Dunkins
Attorney, Agent, or Firm—Robert W. Beach; Ward Brown

[57] **CLAIM**

The ornamental design for a disassemblable chair, substantially as shown and described.

DESCRIPTION

FIG. 1 is a top perspective view of a disassemblable chair showing my new design;

FIG. 2 is a left side elevational view thereof;
FIG. 3 is a right side elevational view thereof;
FIG. 4 is a front elevational view thereof;
FIG. 5 is a rear elevational view thereof;
FIG. 6 is a top plan view thereof;
FIG. 7 is a bottom plan view thereof;
FIG. 8 is a top plan view showing the chair of FIG. 1 in disassembled condition in the interest of clarity;
FIG. 9 is a top perspective view of a slight modification of the design;
FIG. 10 is a left side elevational view of such modification;
FIG. 11 is a right side elevational view of such modification;
FIG. 12 is a front elevational view of such modification;
FIG. 13 is a rear elevational view of such modification;
FIG. 14 is a top plan view showing the chair of FIG. 9 in disassembled condition in the interest of clarity;
FIG. 15 is a top perspective view of another modification of the design;
FIG. 16 is a left side elevational view of such other modification;
FIG. 17 is a right side elevational view of such other modification;
FIG. 18 is a front elevational view of such other modification;
FIG. 19 is a rear elevational view of such other modification;
FIG. 20 is a top plan view of such other modification;
FIG. 21 is a bottom plan view of such other modification; and
FIG. 22 is a top plan view showing the chair of FIG. 15 in disassembled condition in the interest of clarity.

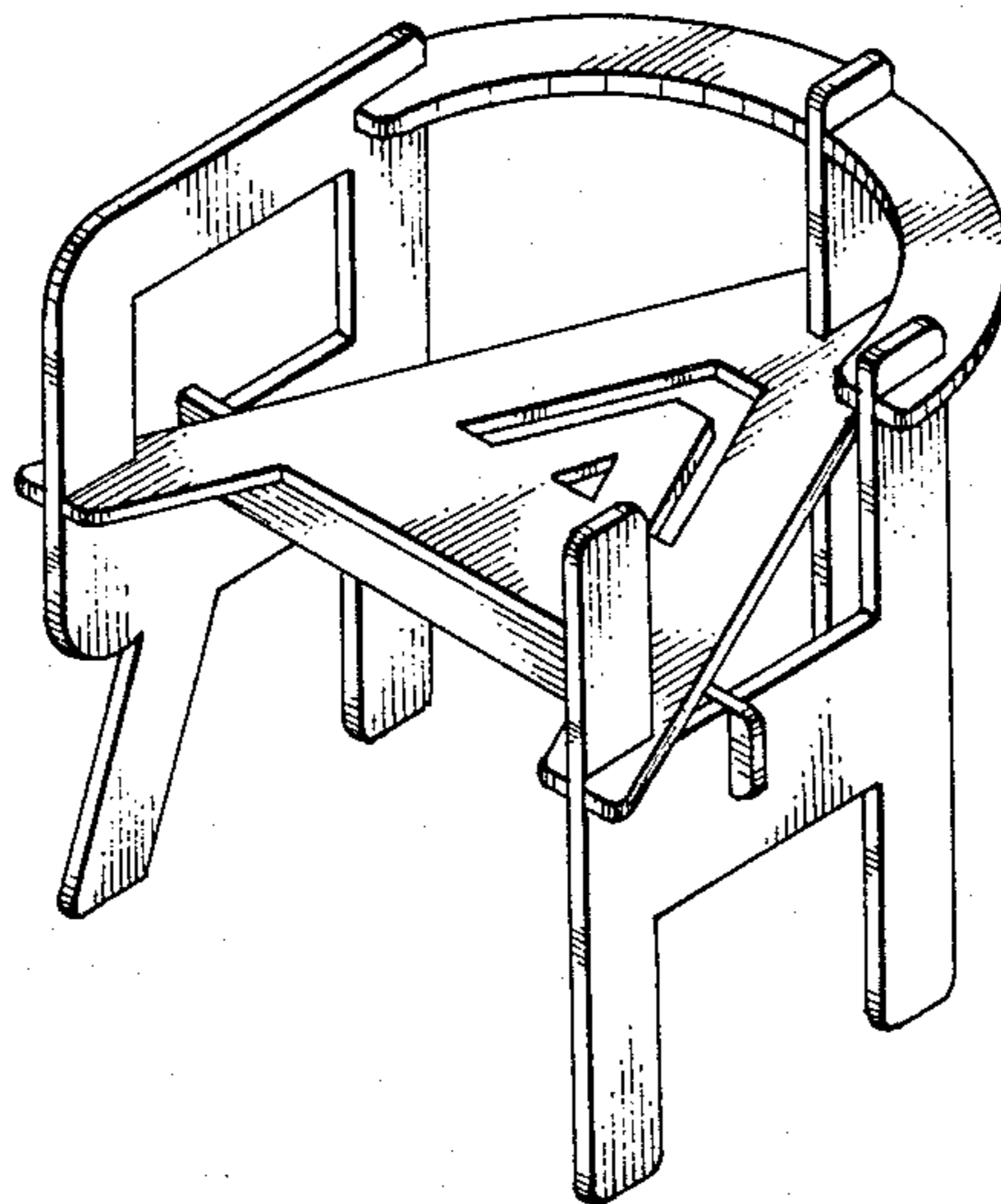


Fig. 1

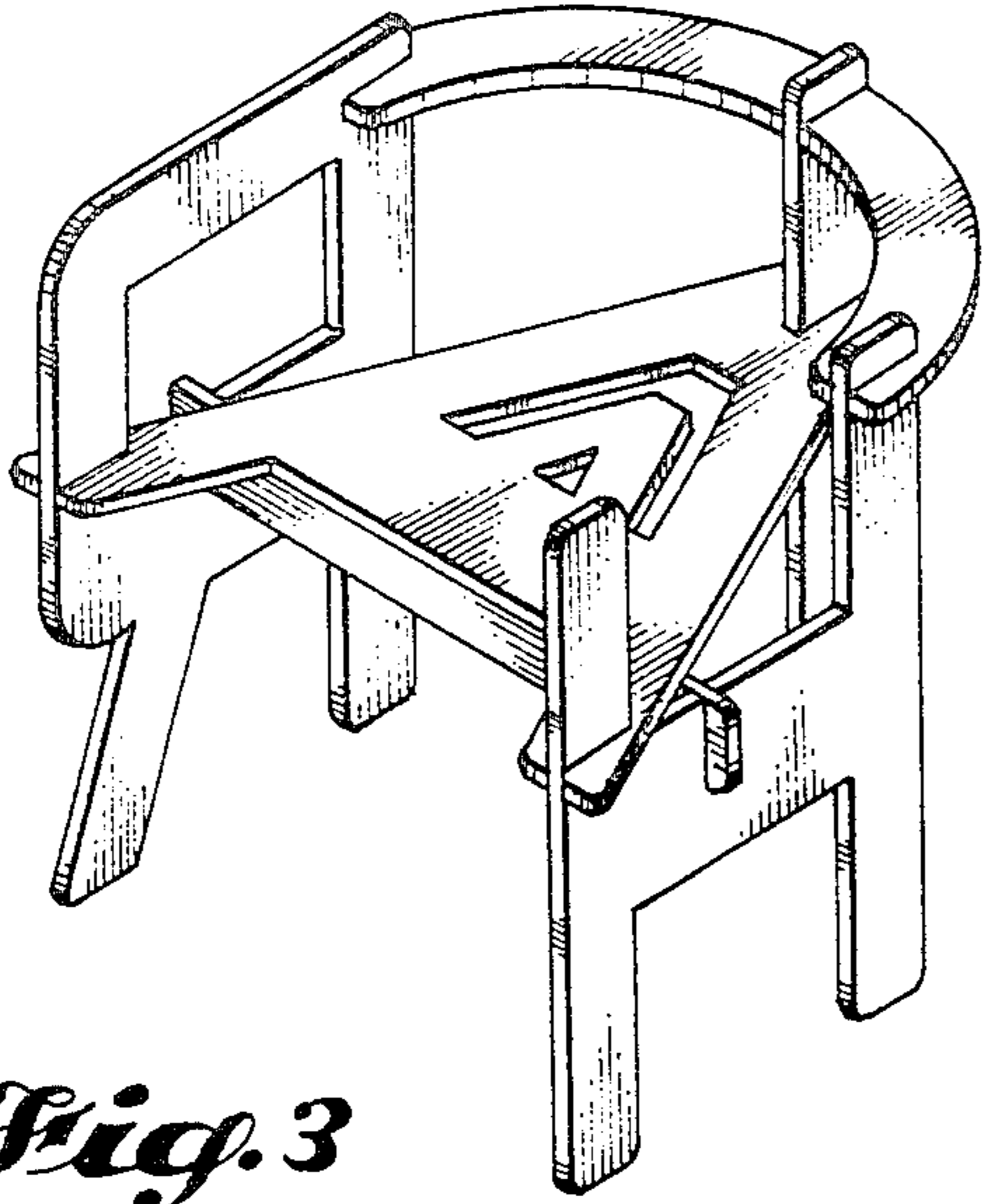


Fig. 2

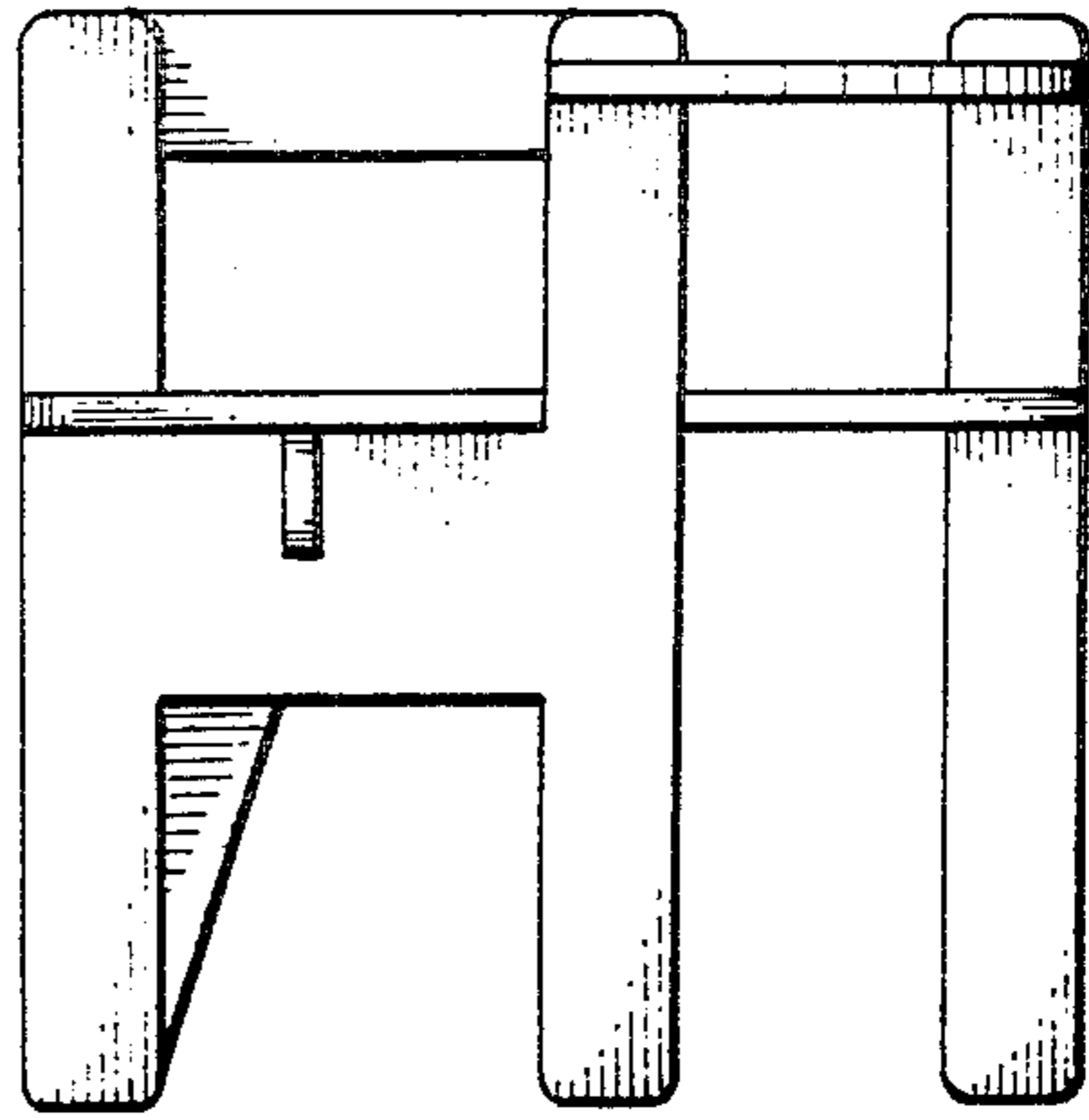


Fig. 3

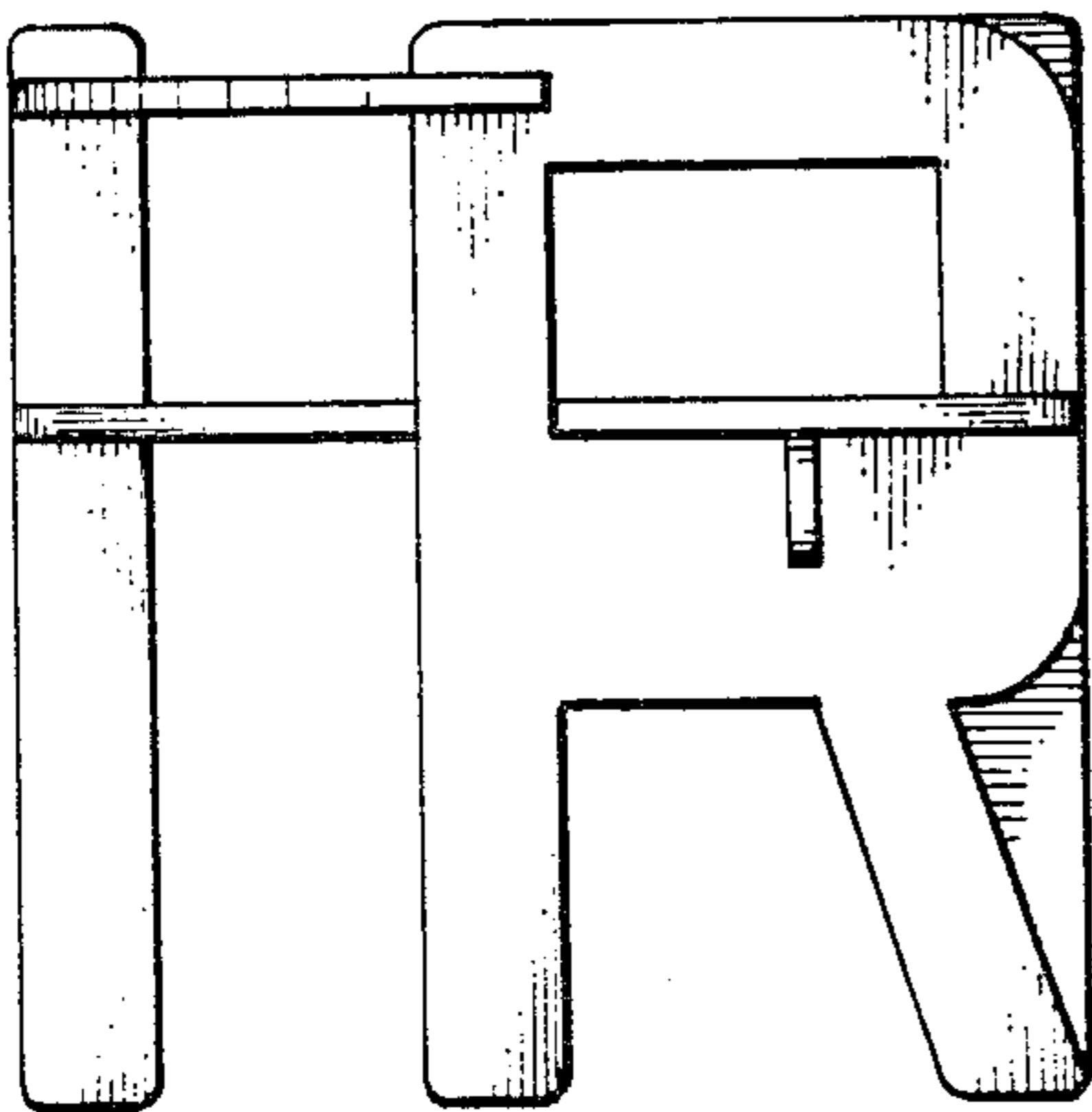


Fig. 4

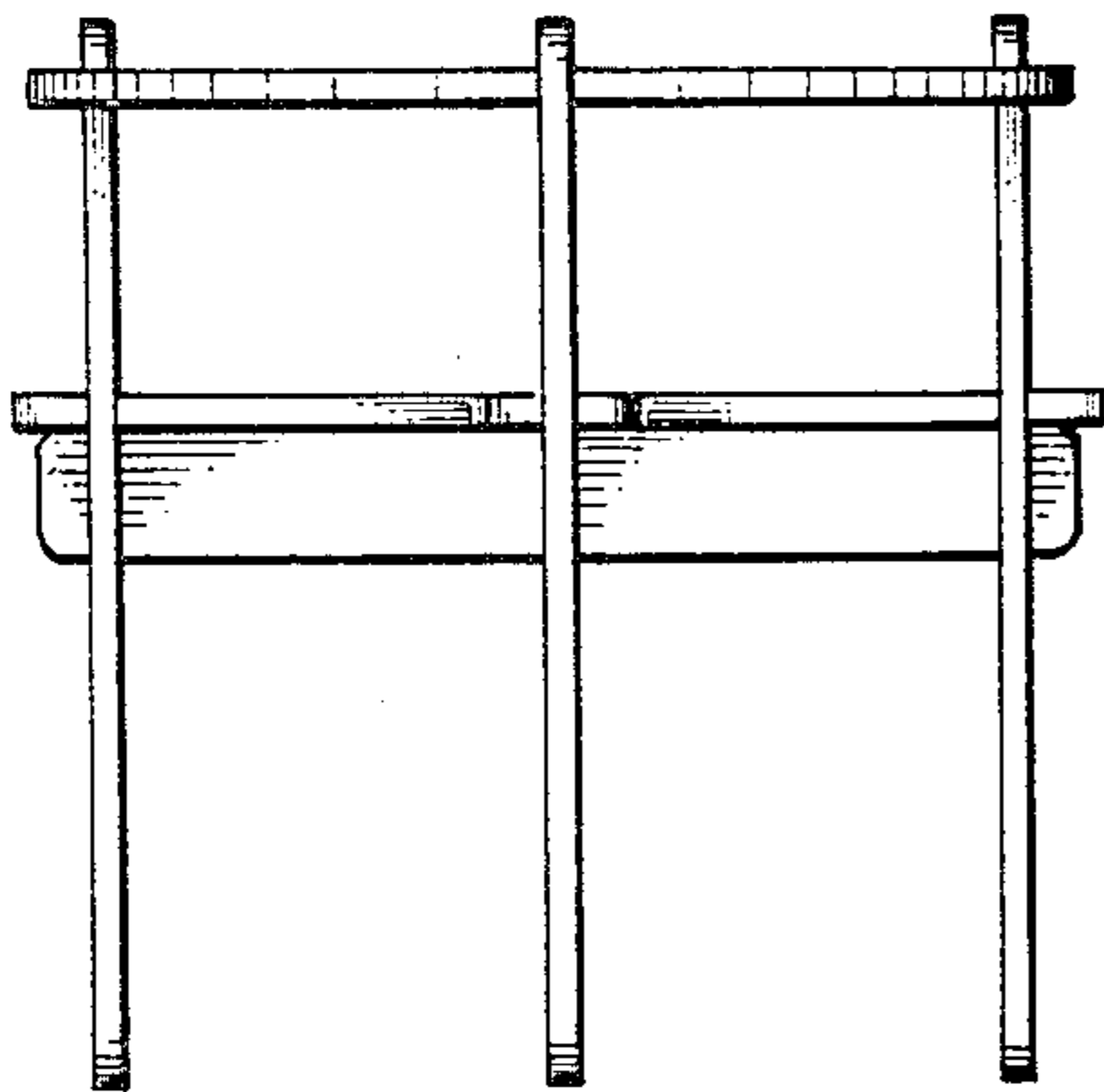
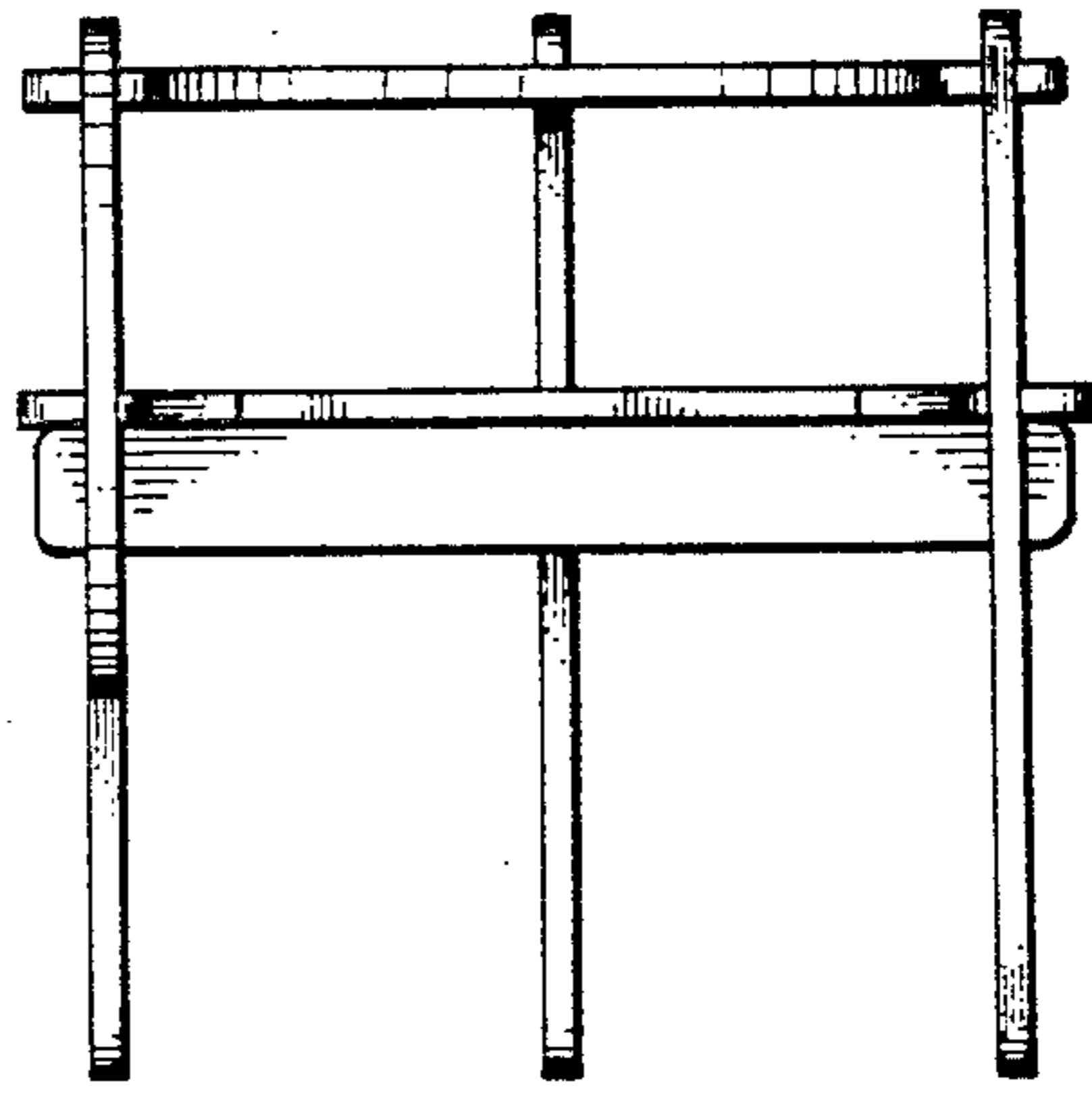


Fig. 5

Fig. 6

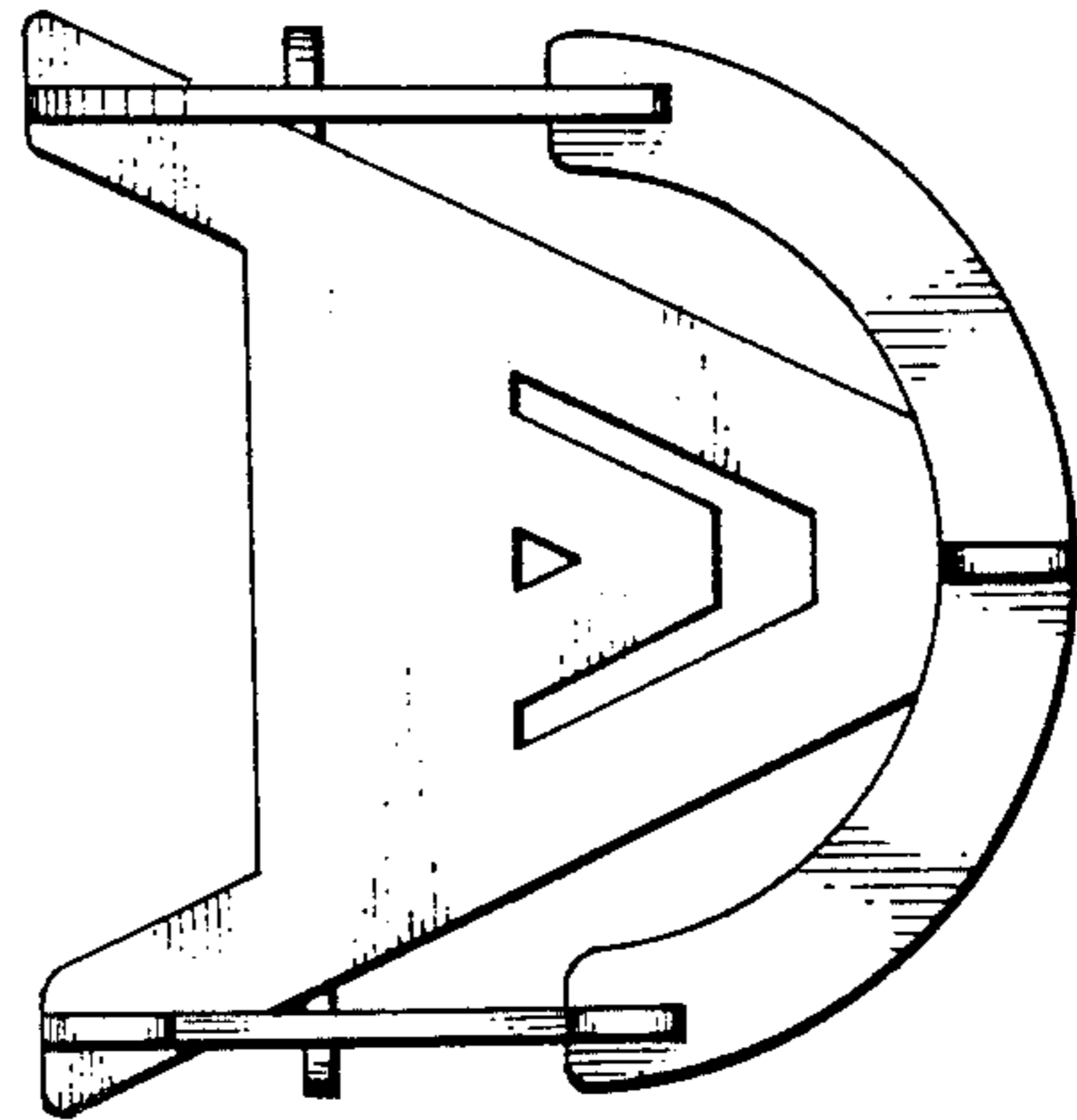


Fig. 7

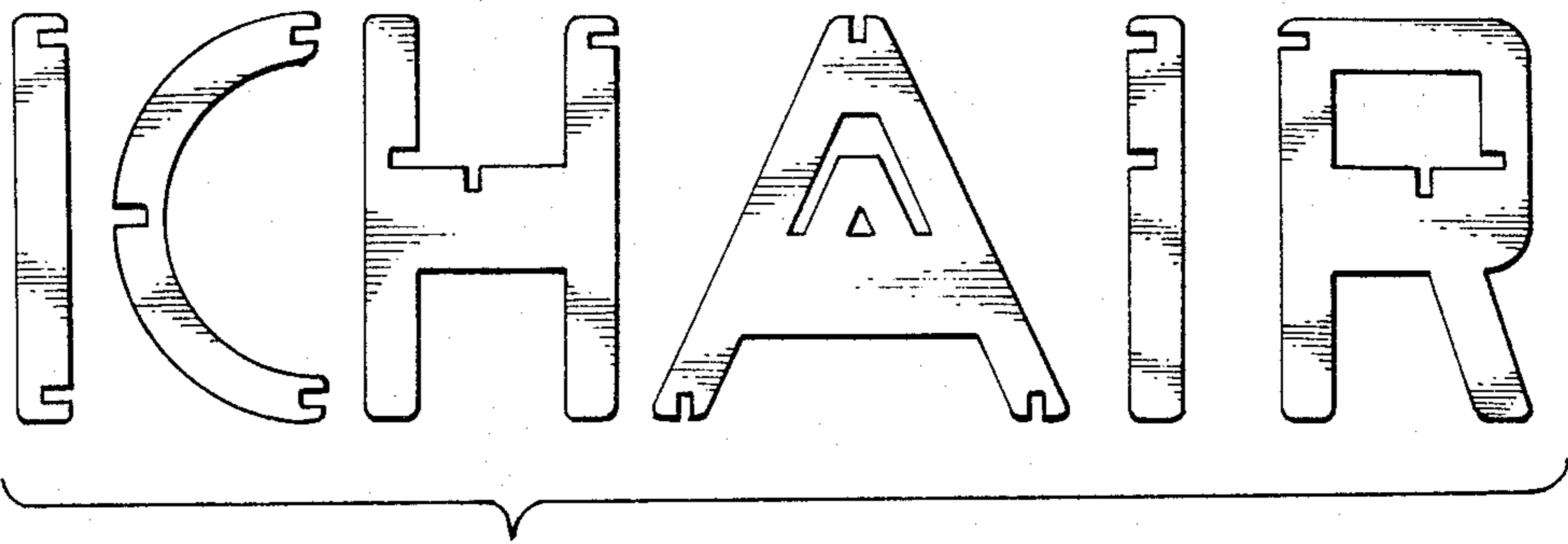
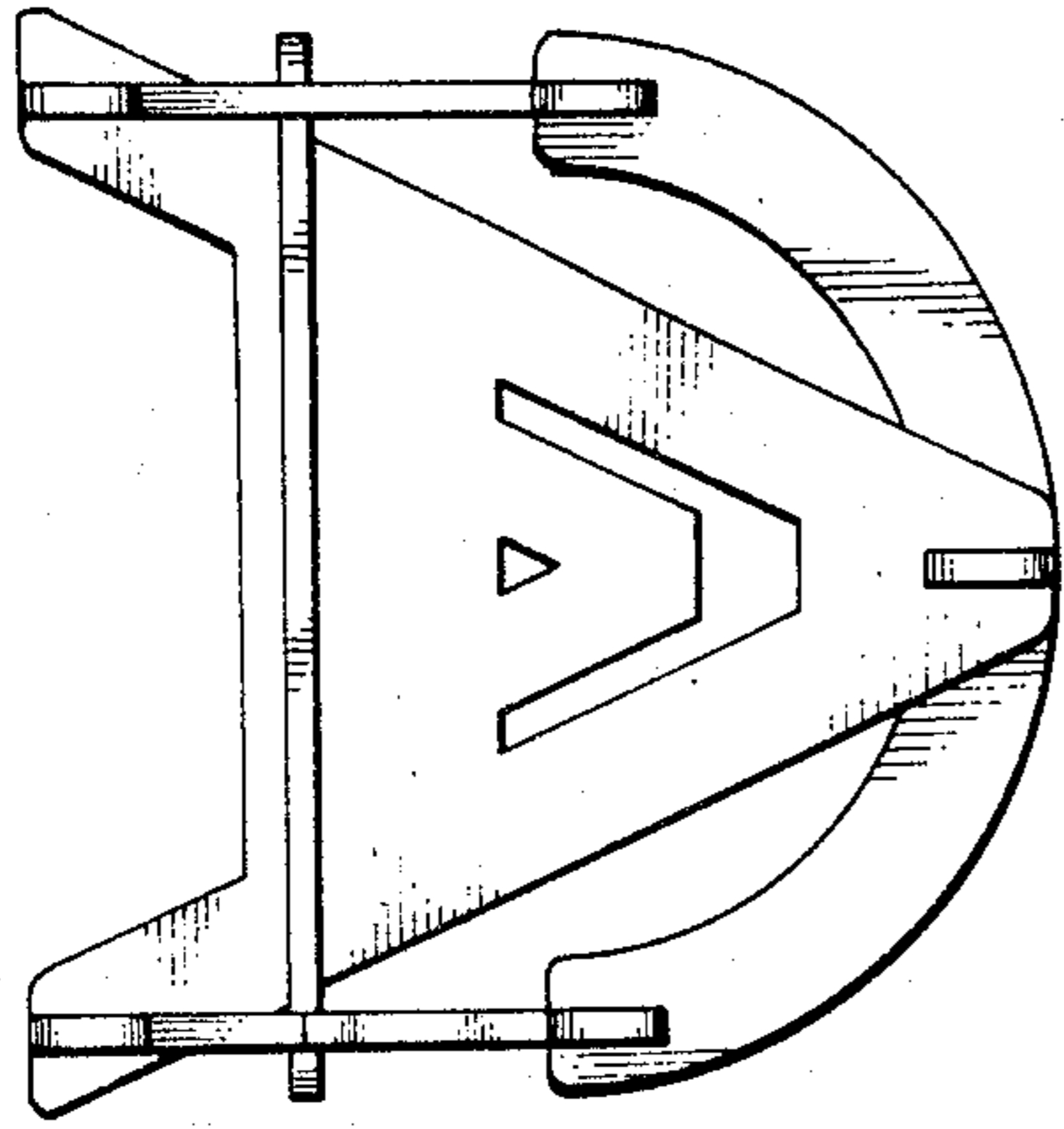


Fig. 8

Fig. 9

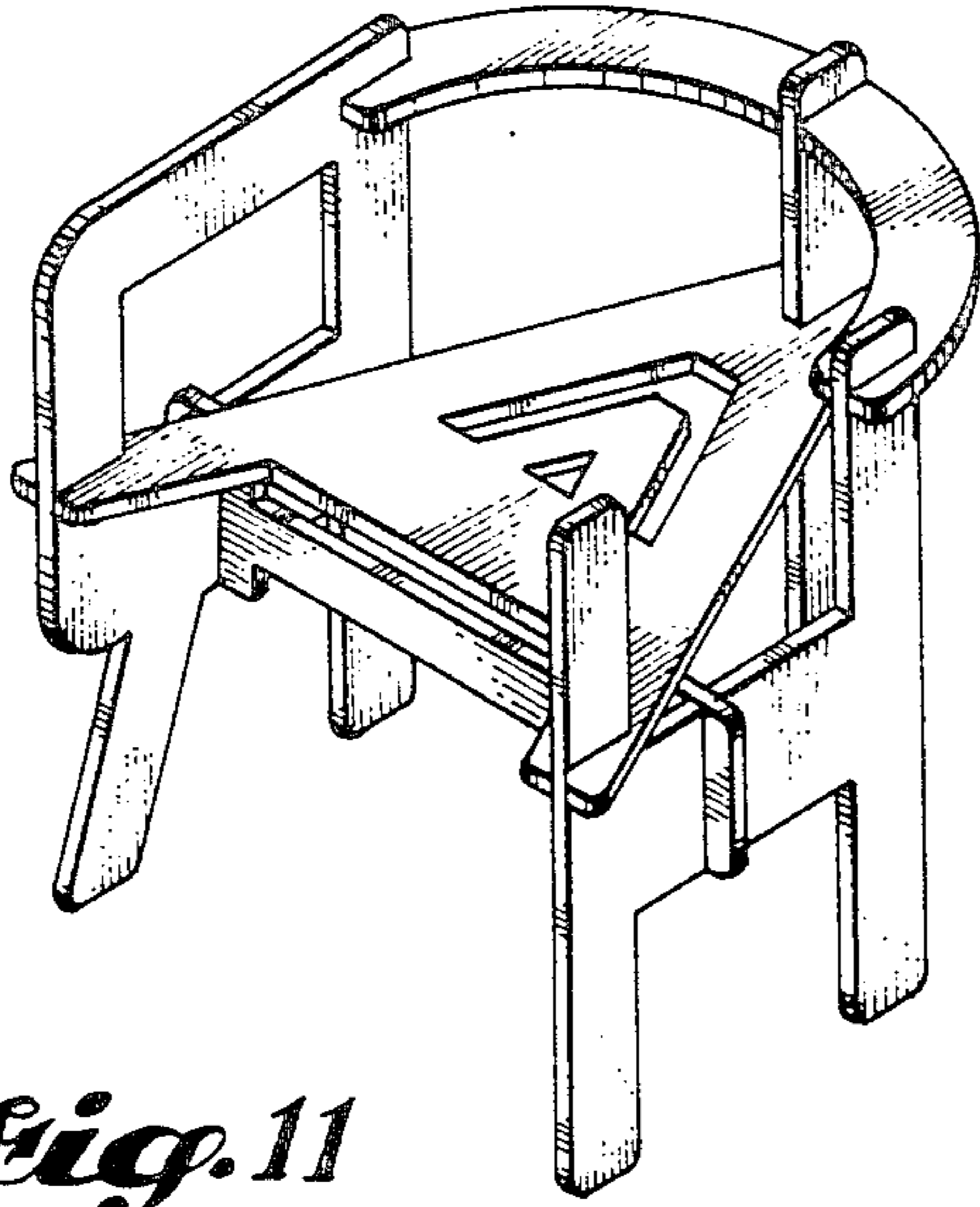


Fig. 10

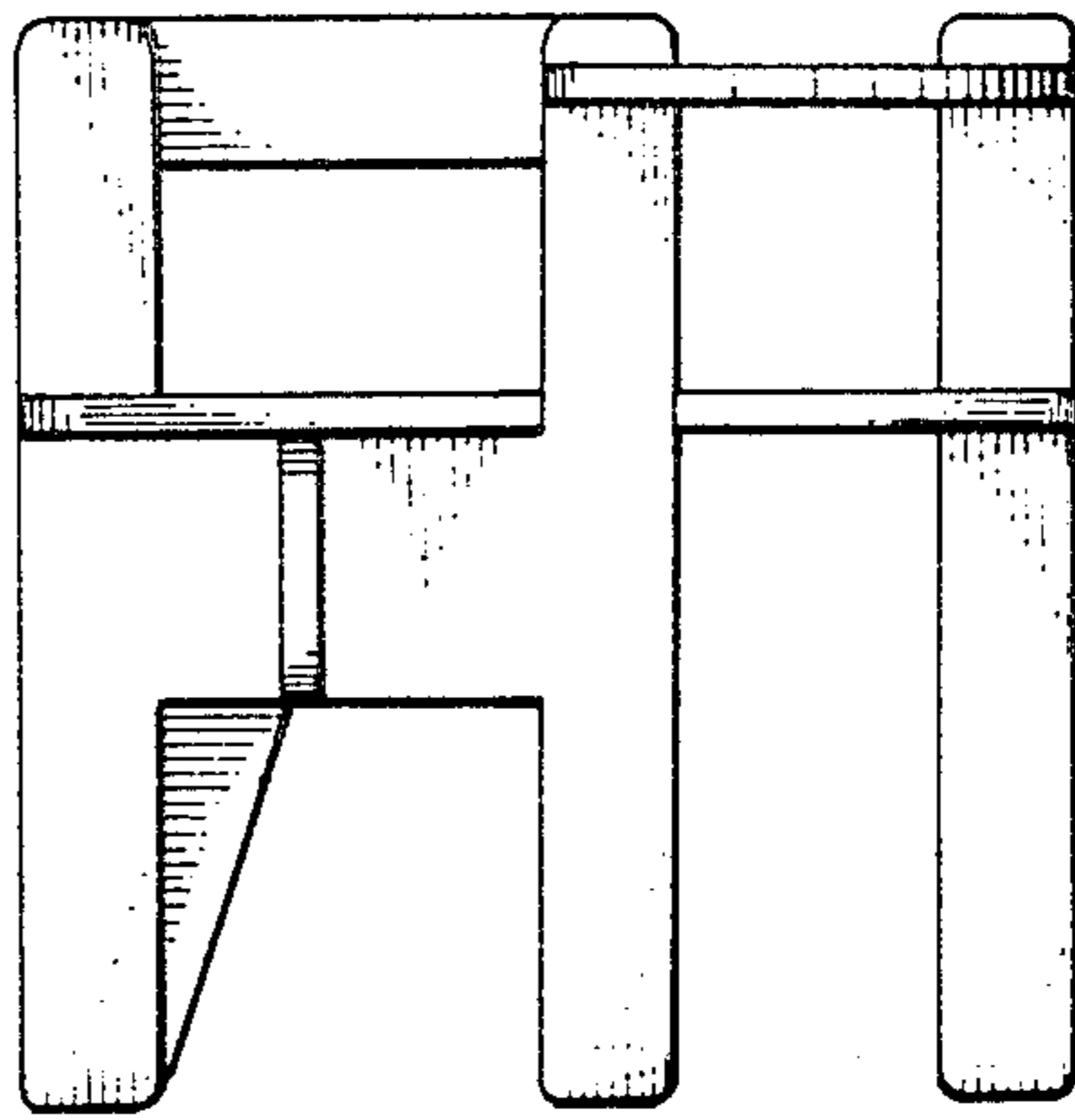


Fig. 11

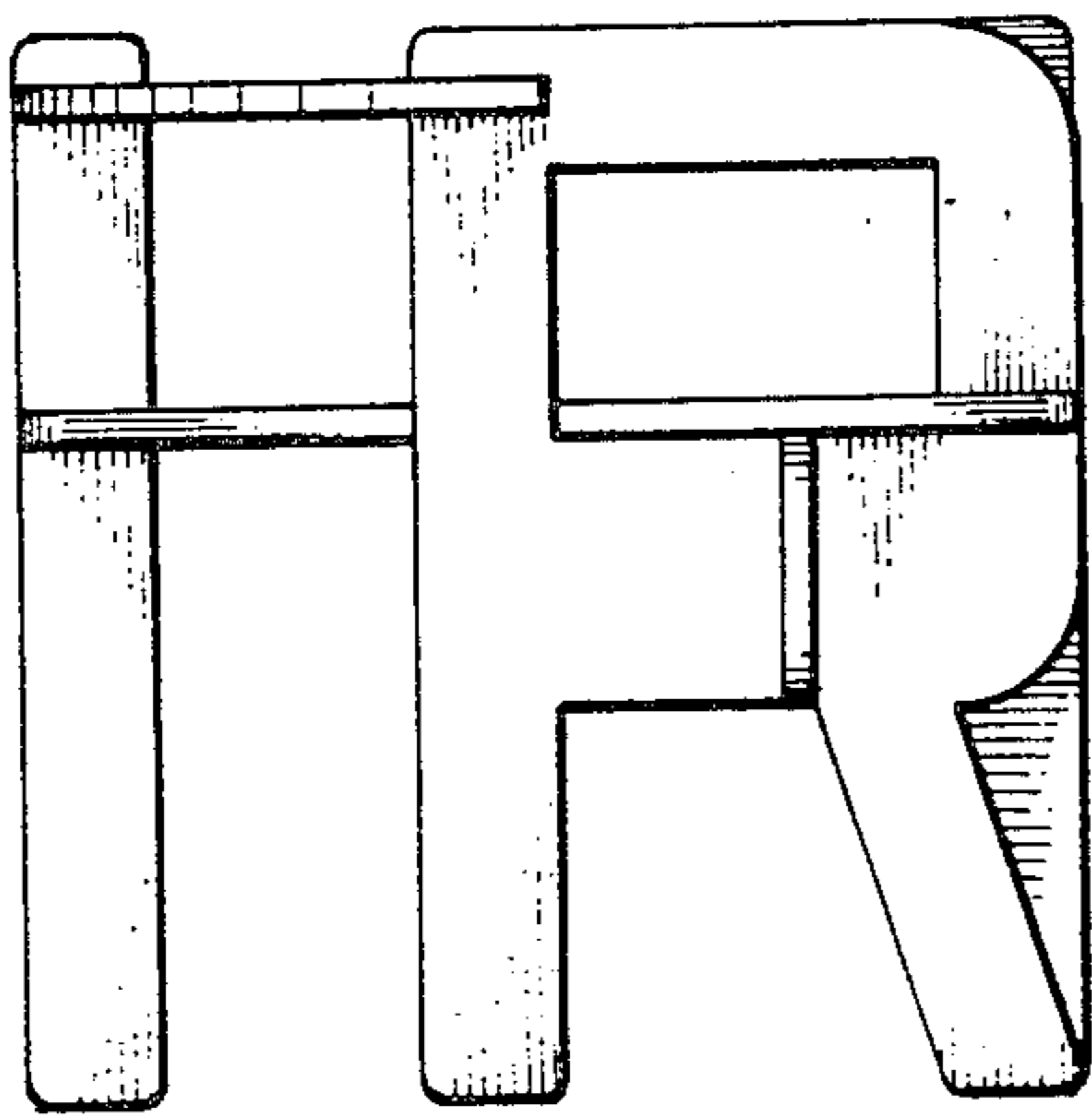


Fig. 12

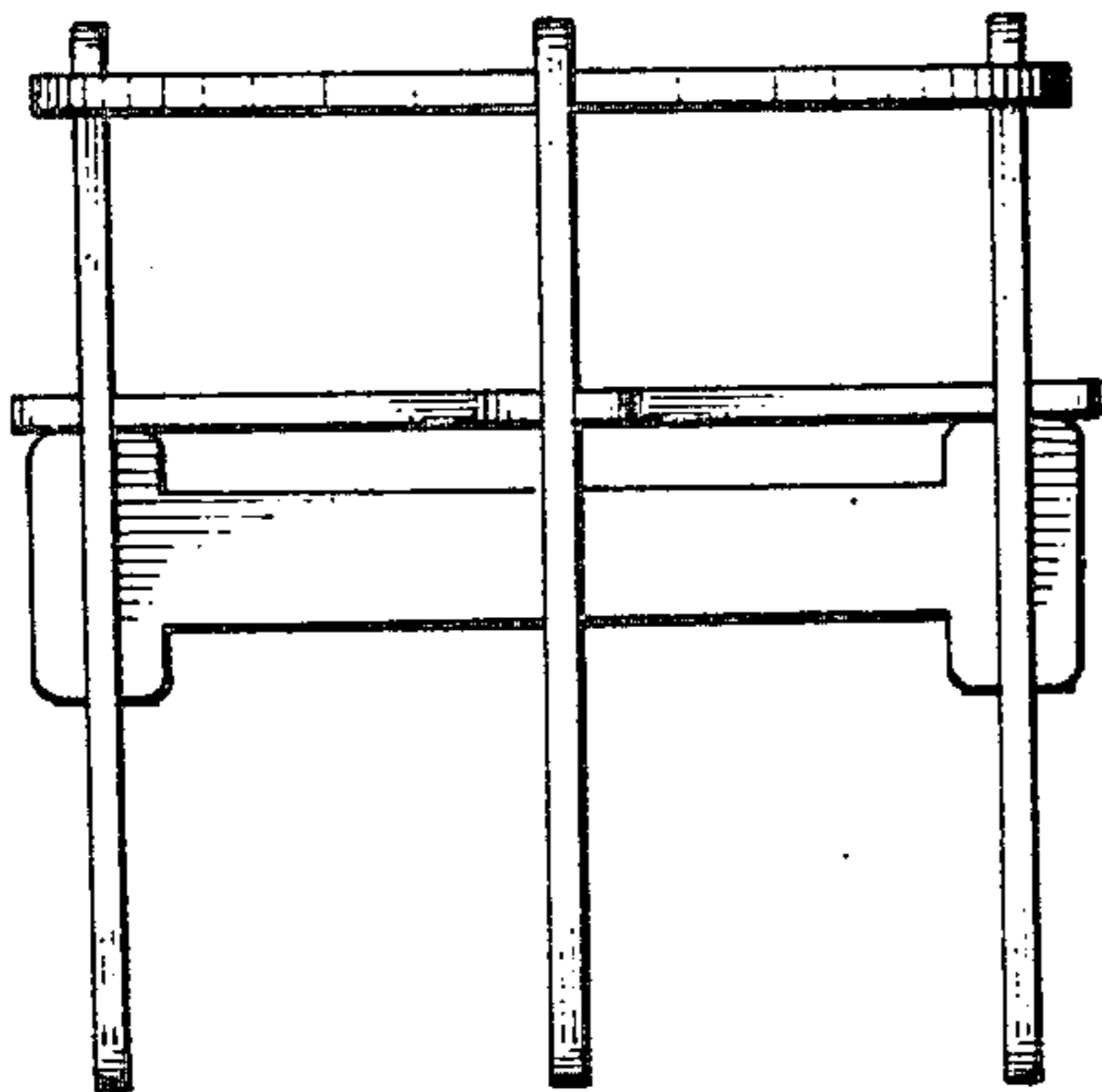
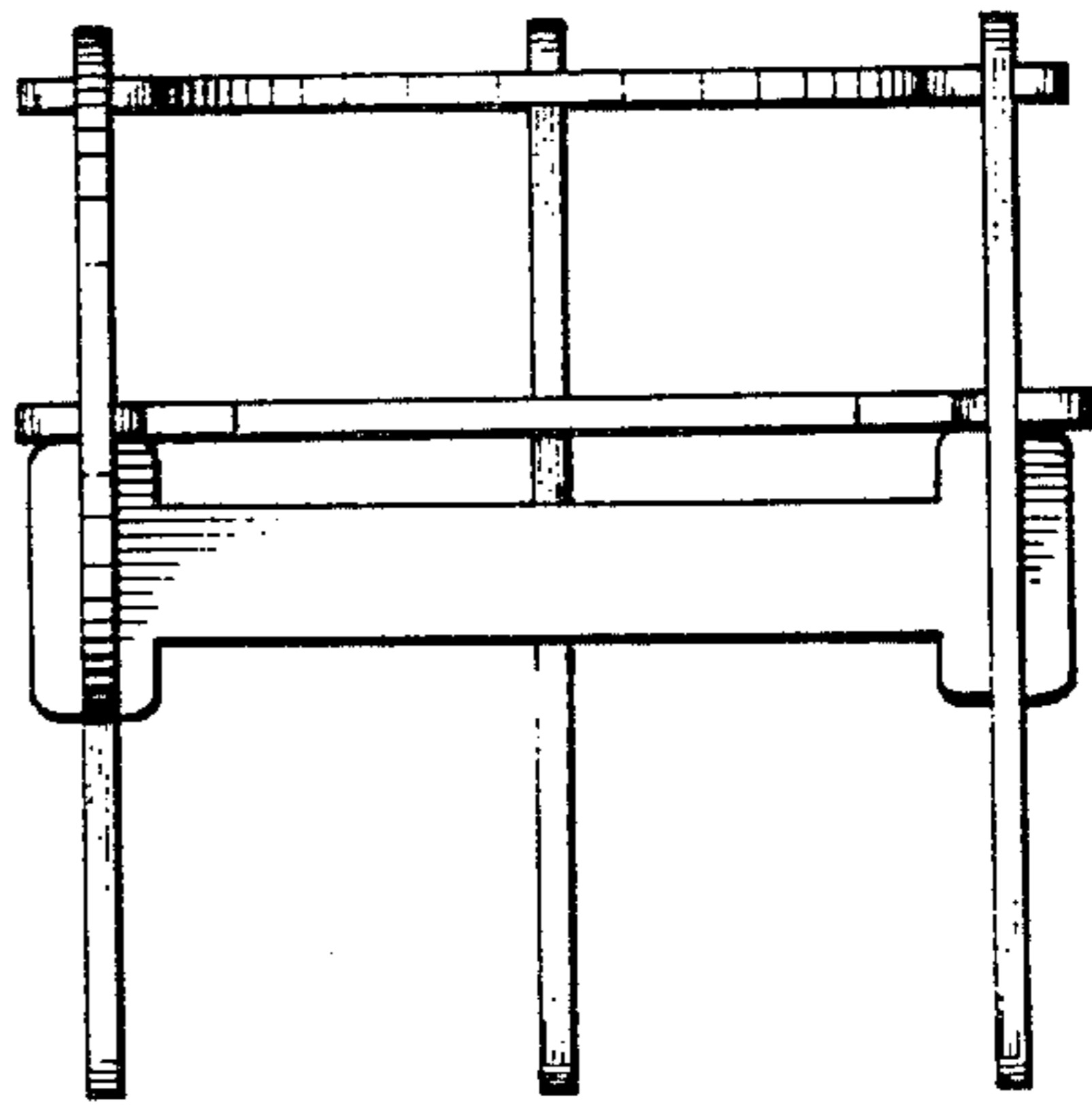


Fig. 13

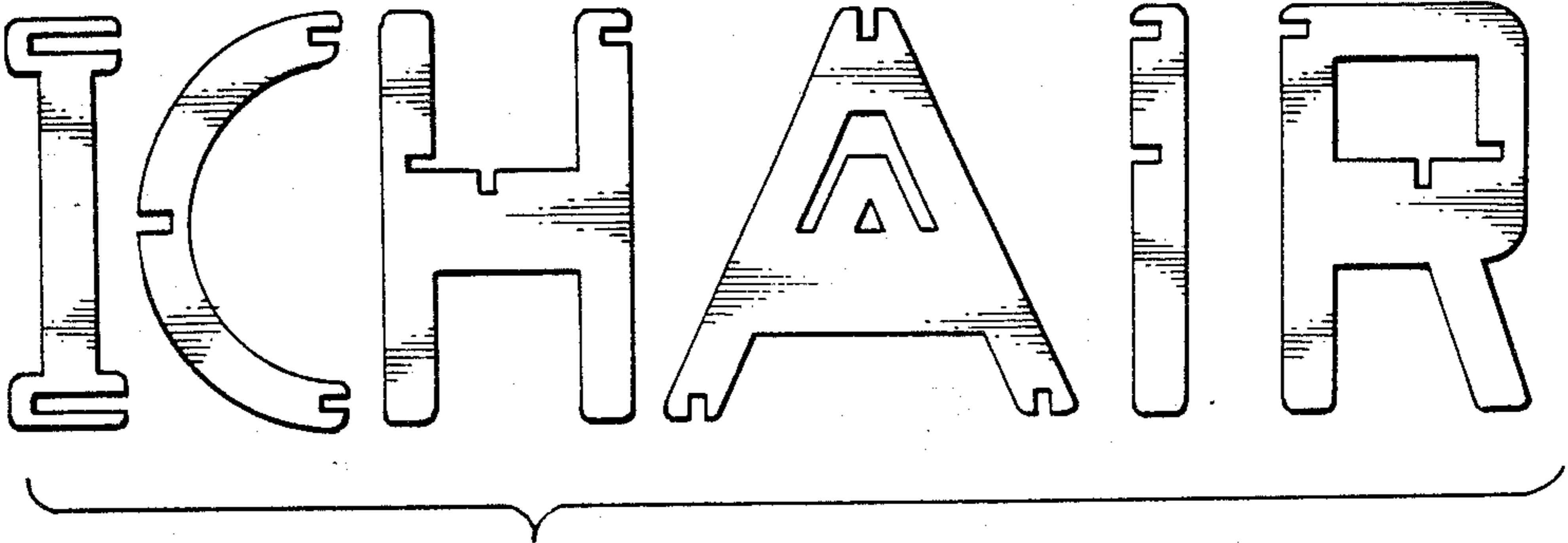


Fig. 14

Fig. 15

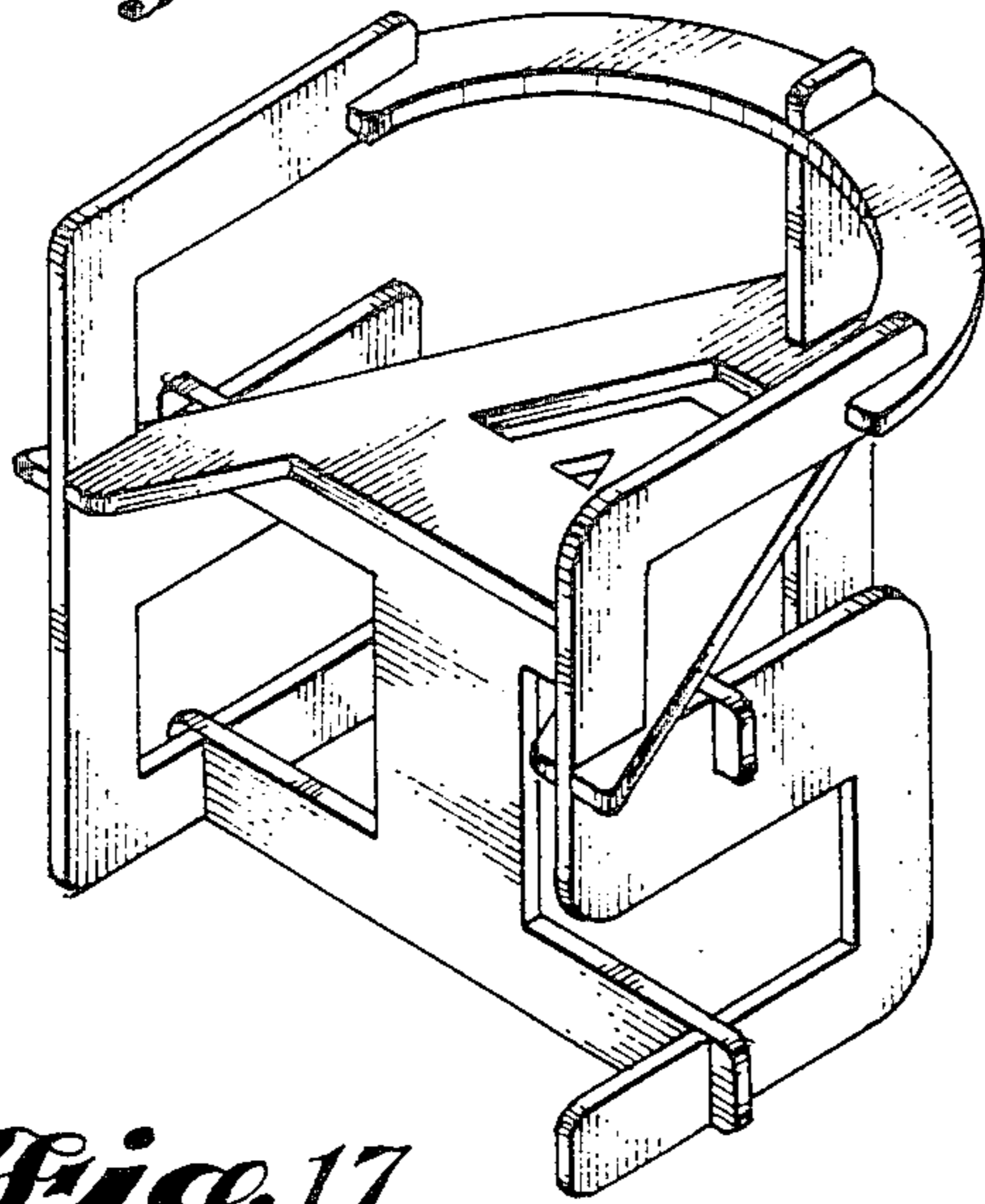


Fig. 16

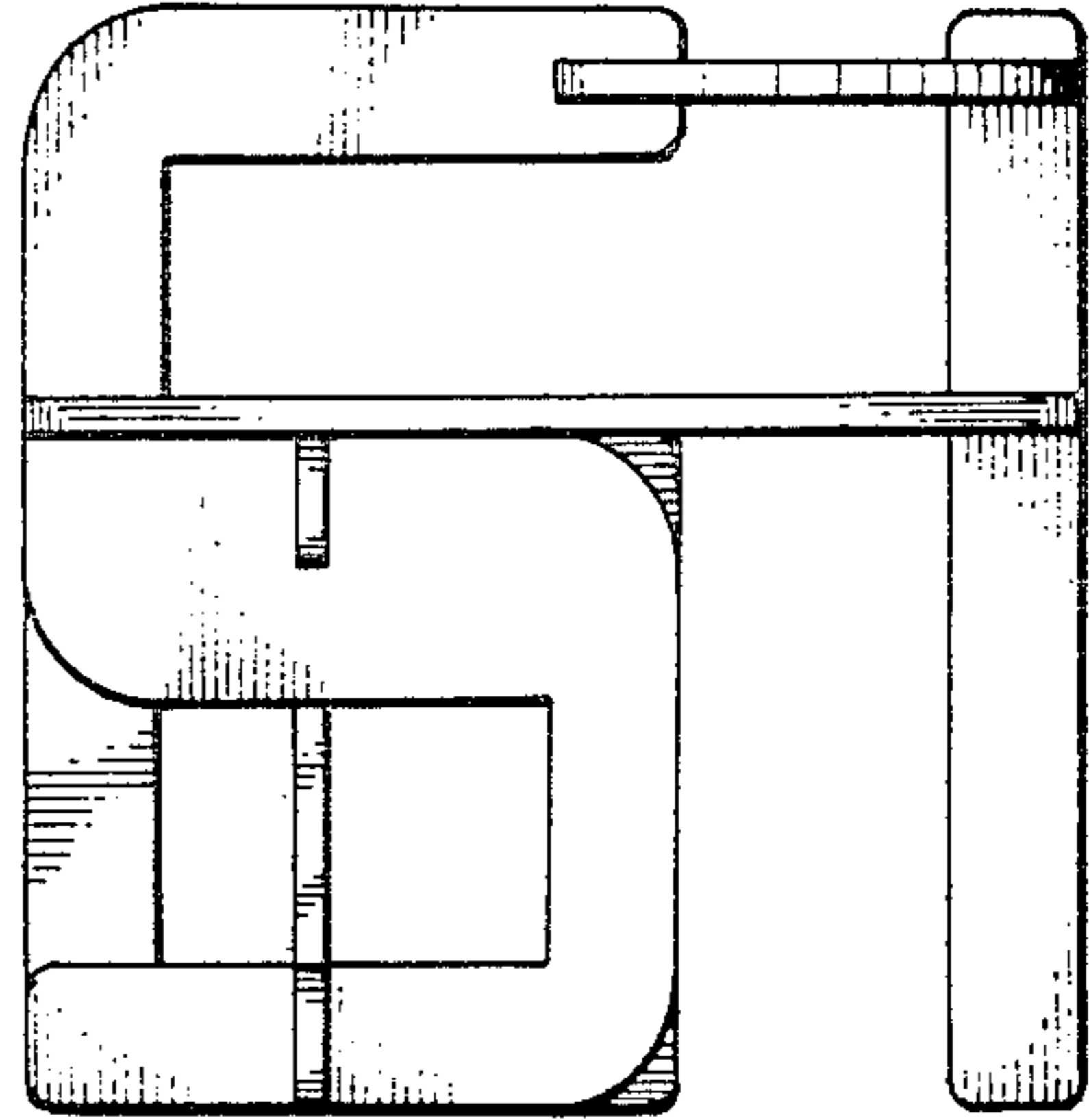


Fig. 17

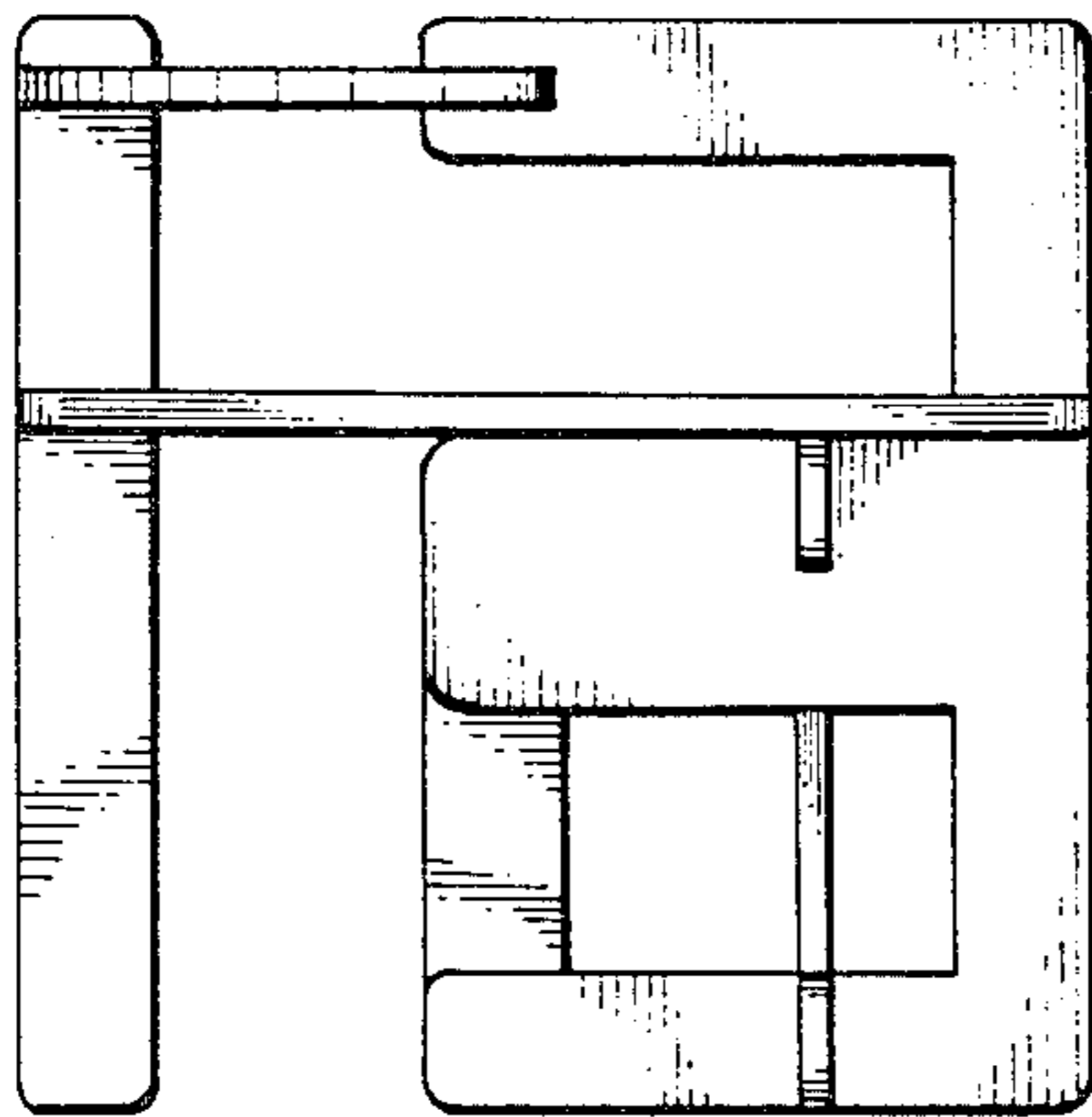


Fig. 18

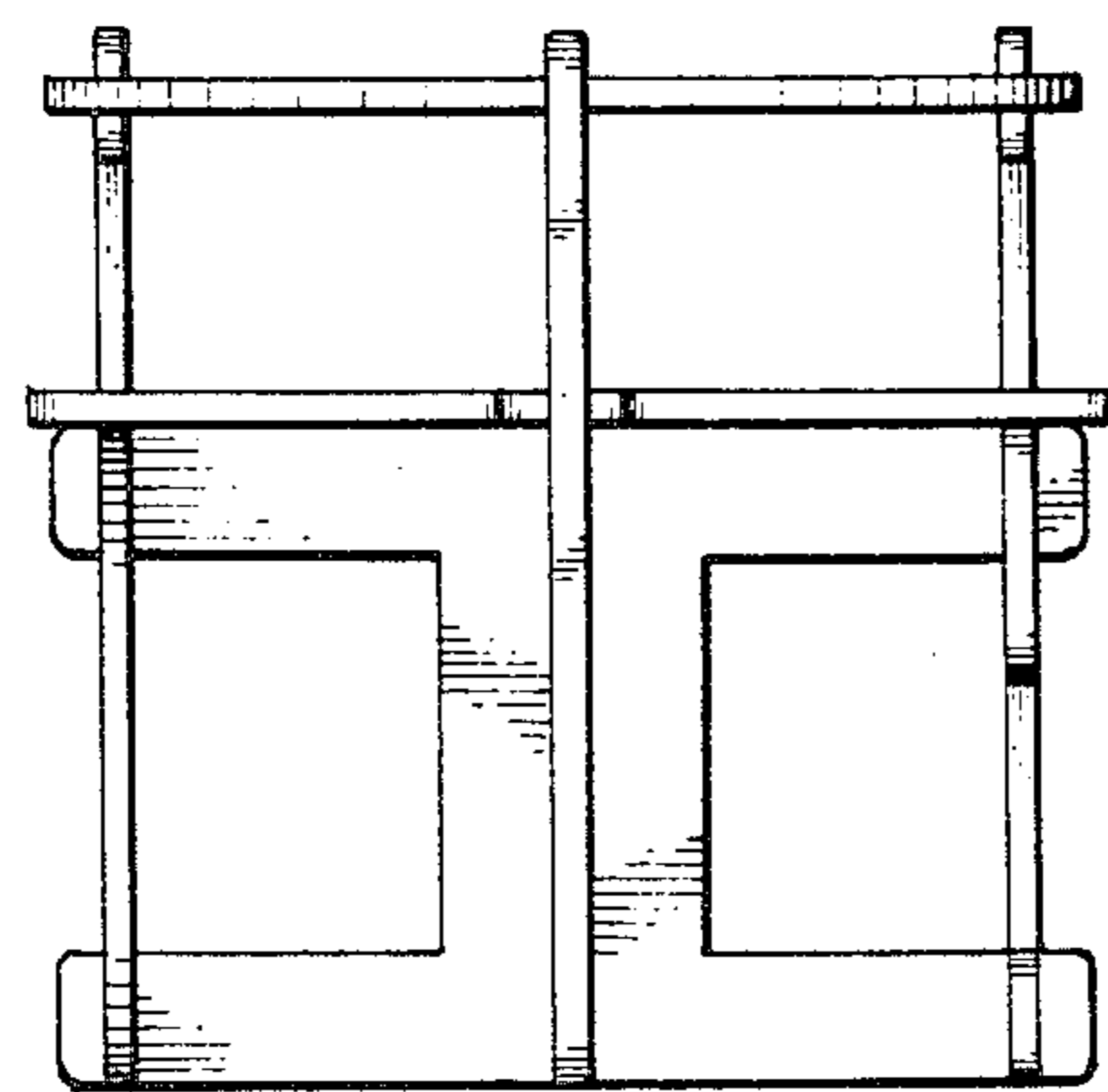
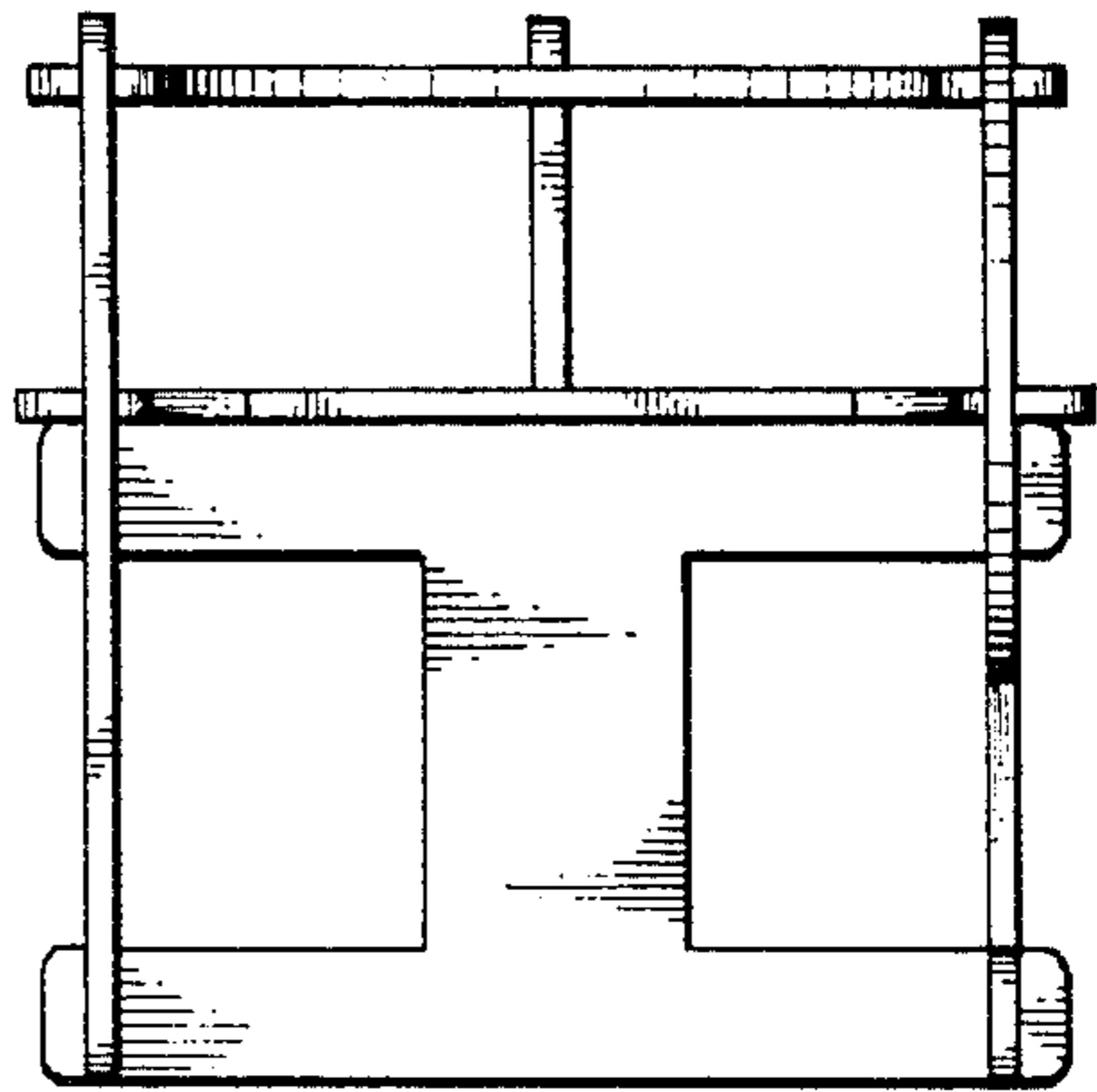


Fig. 19

Fig. 20

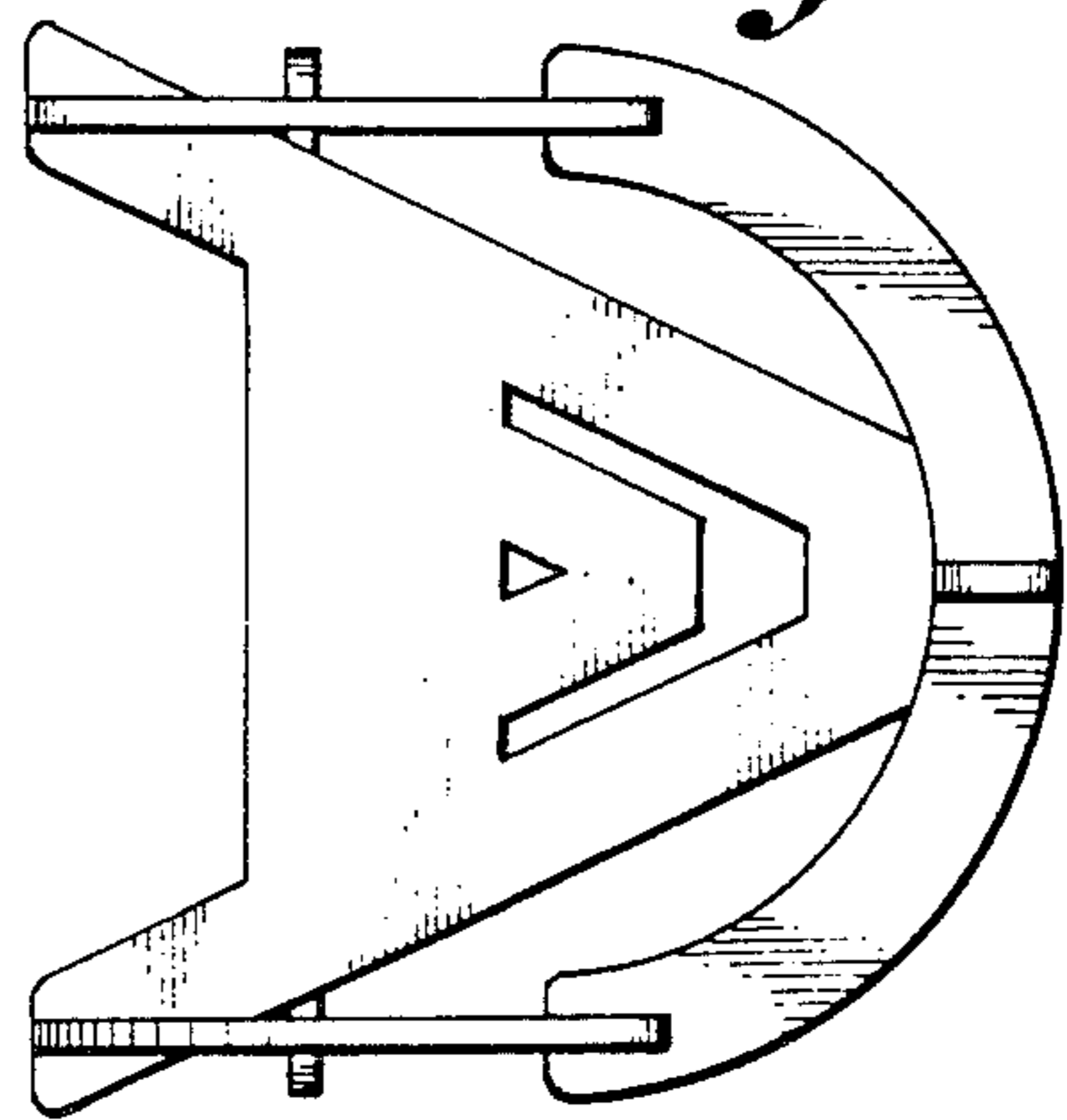


Fig. 21

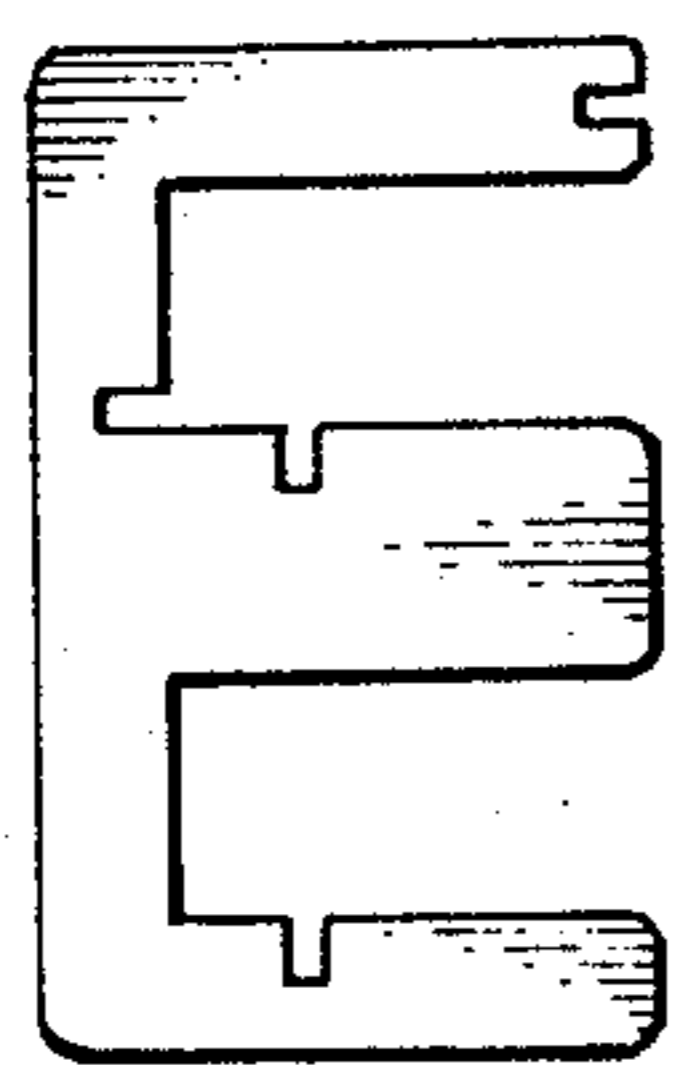
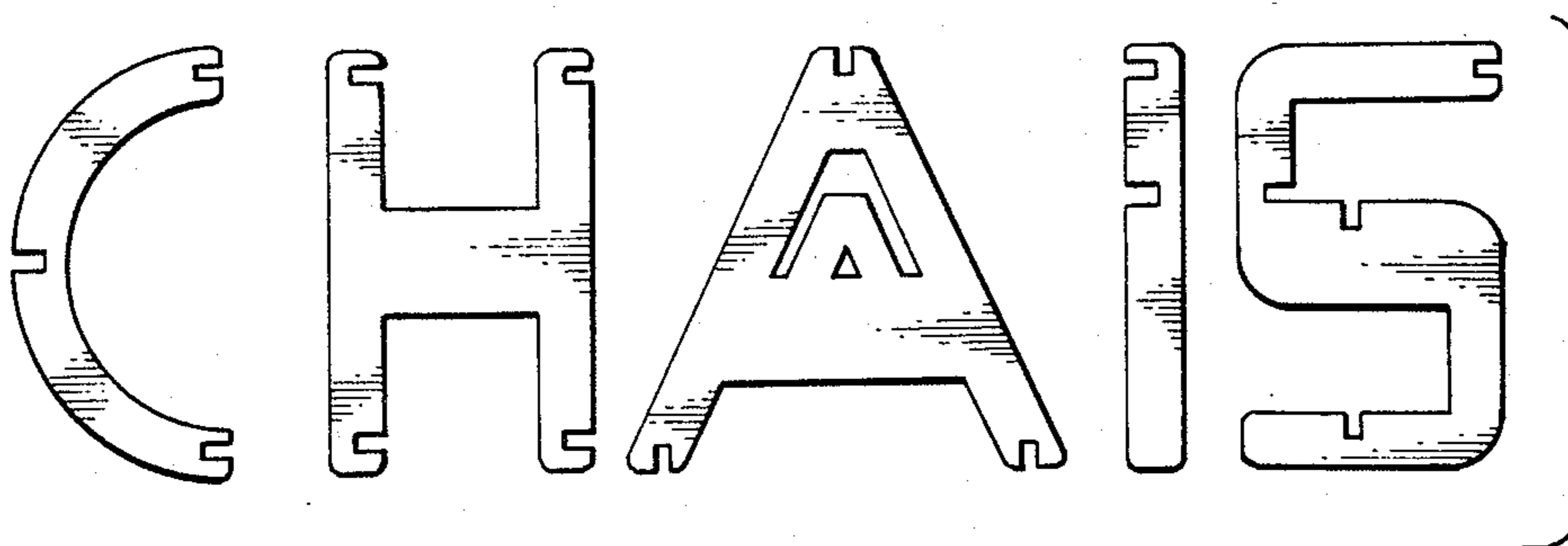
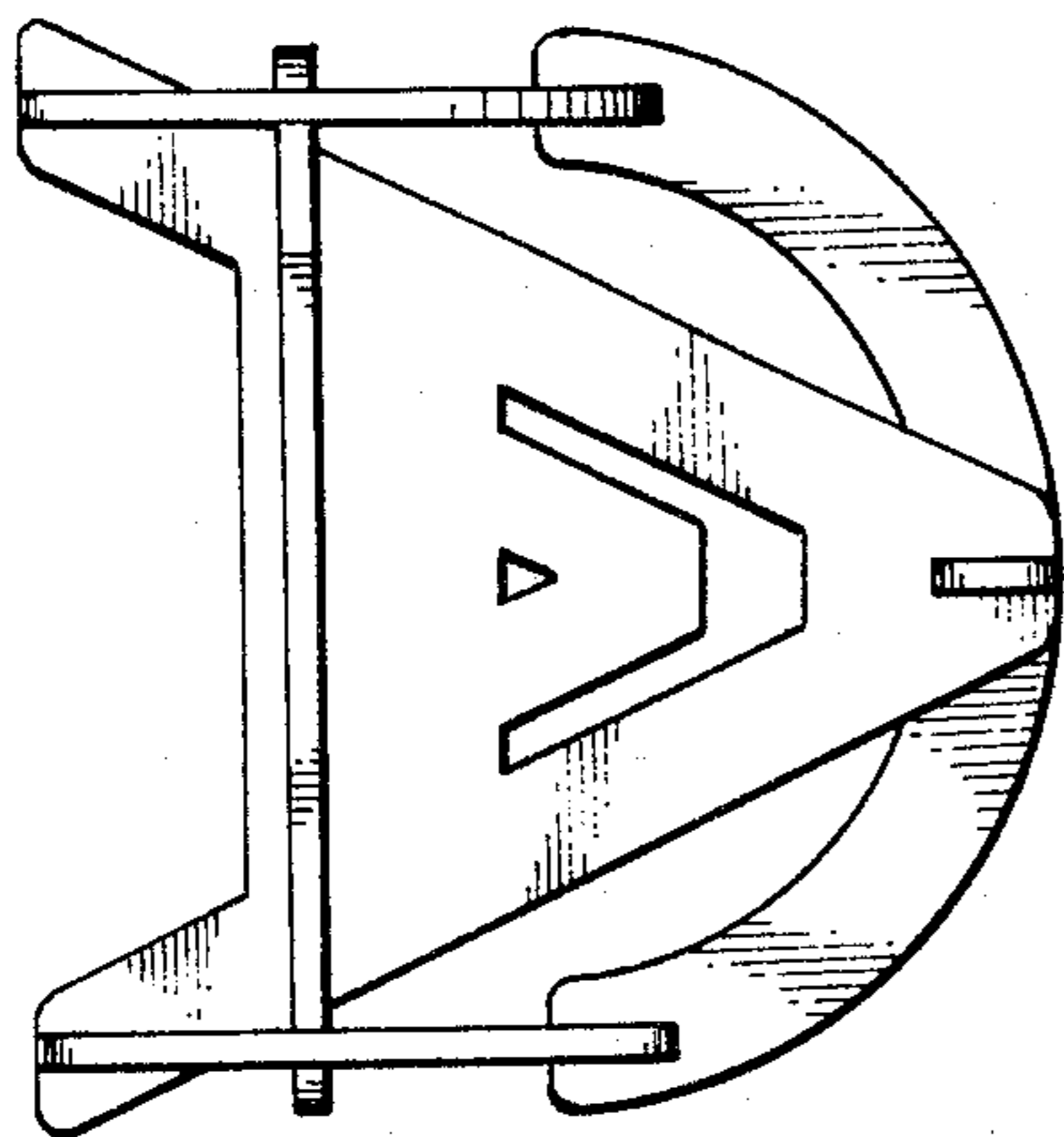


Fig. 22